



US00D861151S

(12) **United States Design Patent**
Gallen et al.

(10) **Patent No.:** **US D861,151 S**

(45) **Date of Patent:** **** Sep. 24, 2019**

- (54) **AIR FRESHENER**
- (71) Applicant: **Energizer Brands II, LLC**, St. Louis, MO (US)
- (72) Inventors: **Matthew Richard Gallen**, Tooele, UT (US); **Christopher Alan Bourne**, Painesville, OH (US); **Man Kit Chan**, Tsuen Wan (HK)
- (73) Assignee: **Energizer Brands II, LLC**, St. Louis, MO (US)
- (**) Term: **15 Years**

D314,044 S *	1/1991	Montanari	D23/366
D315,789 S *	3/1991	Muderlak	D23/366
5,373,581 A *	12/1994	Smith	A01M 1/2077 219/202
5,394,506 A *	2/1995	Stein	A61L 9/03 219/202
D414,550 S *	9/1999	Bloom	D23/328
D418,213 S *	12/1999	Colandro	D23/366
D418,214 S *	12/1999	Cloutier	D23/366
D442,683 S *	5/2001	Wu	D23/366
D447,796 S *	9/2001	Resmo	D23/342
D466,994 S *	12/2002	Yuen	D23/364
D482,768 S *	11/2003	Chen	D23/366
D485,885 S *	1/2004	Bonelli	D23/207
D486,213 S *	2/2004	Novak	D23/366
D489,803 S *	5/2004	Nelson	D23/355

(Continued)

- (21) Appl. No.: **29/645,872**
- (22) Filed: **Apr. 30, 2018**
- (51) **LOC (12) Cl.** **28-99**
- (52) **U.S. Cl.**
USPC **D23/366**
- (58) **Field of Classification Search**
USPC D23/355-366, 352, 369, 332, 333, 335, D23/336, 342, 351; 422/120, 122; 55/356, 473, 504; 96/97; D14/188, 170, D14/172; 261/DIG. 17, DIG. 65, 261/DIG. 88, DIG. 31; D18/34.6
CPC .. A61L 9/16; A61L 9/22; B01D 47/00; B01D 47/027; B01D 2221/02; B01D 2259/4508; B03C 3/155; B03C 3/368; F24F 3/16; F24F 13/20; F24F 13/28; F24F 3/1405; F24F 3/1603; F24F 13/222
See application file for complete search history.

Primary Examiner — David G Muller

Assistant Examiner — Nathan M Johnston

(74) *Attorney, Agent, or Firm* — Alston & Bird LLP

(56) **References Cited**

U.S. PATENT DOCUMENTS

4,808,347 A *	2/1989	Dawn	A61L 9/122 239/289
D306,644 S *	3/1990	Luthy	D23/366
4,968,456 A *	11/1990	Muderlak	A61L 9/122 137/60

(57) **CLAIM**

The ornamental design for an air freshener, as shown and described.

DESCRIPTION

FIG. 1 is a top perspective view of an air freshener showing our new design.

FIG. 2 is a front view the air freshener of FIG. 1.

FIG. 3 is a back view of the air freshener of FIG. 1.

FIG. 4 is a left side view of the air freshener of FIG. 1.

FIG. 5 is a right side view of the air freshener of FIG. 1.

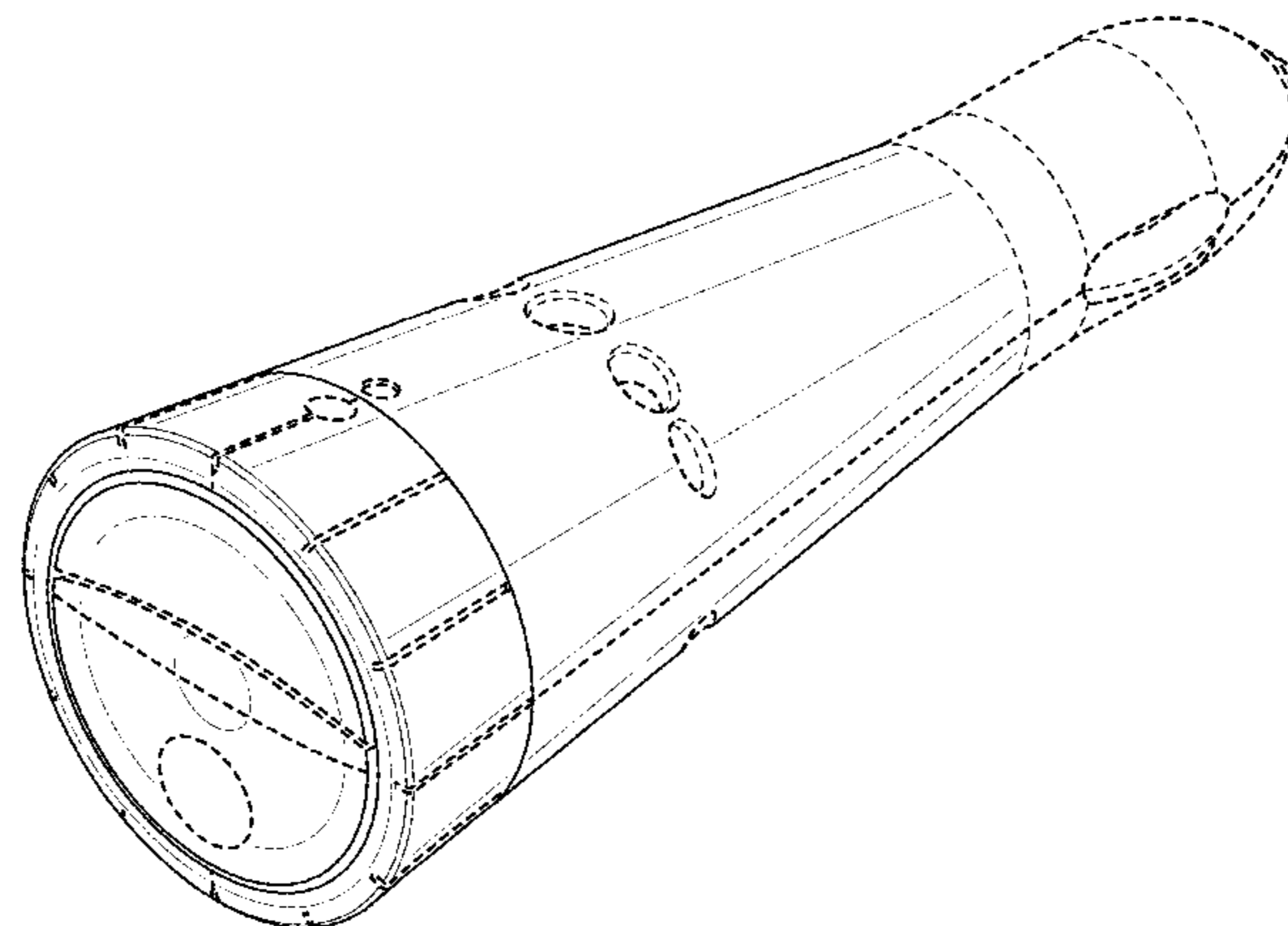
FIG. 6 is a top view of the air freshener of FIG. 1.

FIG. 7 is a bottom view of the air freshener of FIG. 1; and,

FIG. 8 is a bottom rear perspective view of the air freshener of FIG. 1.

The broken lines shown are provided for the purpose of illustrating environmental structure and form no part of the claimed design.

1 Claim, 8 Drawing Sheets



(56)

References Cited

U.S. PATENT DOCUMENTS

D530,306 S *	10/2006	Wang	D14/189					
D532,892 S *	11/2006	Koon	D23/366					
D593,662 S *	6/2009	Chen	D23/317					
7,544,331 B1 *	6/2009	Pettaway	A61L 9/03 392/386					
D598,531 S	8/2009	Irvin							
D607,983 S	1/2010	Irvin							
D640,358 S	6/2011	Irvin							
D640,359 S	6/2011	Irvin							
D646,370 S *	10/2011	Kuo	D23/366					
D650,892 S	12/2011	Wheatley et al.							
D660,950 S	5/2012	Finlay							
D664,246 S	7/2012	Irvin et al.							
D684,675 S	6/2013	Irvin et al.							
D689,181 S	9/2013	Irvin et al.							
D692,548 S *	10/2013	Wirz	D23/366					
D692,550 S *	10/2013	Wirz	D23/366					
8,662,480 B1	3/2014	Irvin							
8,750,694 B1 *	6/2014	Porretta	B60H 3/0028 392/386					
D710,984 S *	8/2014	Hsiao	D23/366					
D711,522 S *	8/2014	Hsiao	D23/366					
D711,523 S *	8/2014	Hsiao	D23/366					
					D711,524 S *	8/2014	Hsiao	D23/366
					D733,280 S	6/2015	Bourne		
					D753,263 S *	4/2016	Del Ponte	D23/209
					10,034,953 B2	7/2018	Bourne		
					2002/0176810 A1 *	11/2002	Munoz Quintana	
									A01M 1/2077 422/125
					2009/0101730 A1 *	4/2009	Davis	A01M 1/2077 239/44
					2009/0114736 A1 *	5/2009	Janakat	A61L 9/127 239/44
					2011/0110823 A1	5/2011	Wheatley et al.		
					2014/0112649 A1 *	4/2014	Irvin	A61L 9/03 392/390
					2014/0124594 A1 *	5/2014	Hsiao	A61L 9/03 239/135
					2014/0126892 A1 *	5/2014	Hsiao	B60H 3/0007 392/394
					2014/0126893 A1 *	5/2014	Hsiao	A61L 9/03 392/403
					2014/0133841 A1 *	5/2014	Hsiao	A61L 9/16 392/386
					2016/0325605 A1	11/2016	Irvin et al.		
					2017/0120728 A1	5/2017	Garcia		
					2017/0128608 A1 *	5/2017	Hsiao	A61L 9/03

* cited by examiner

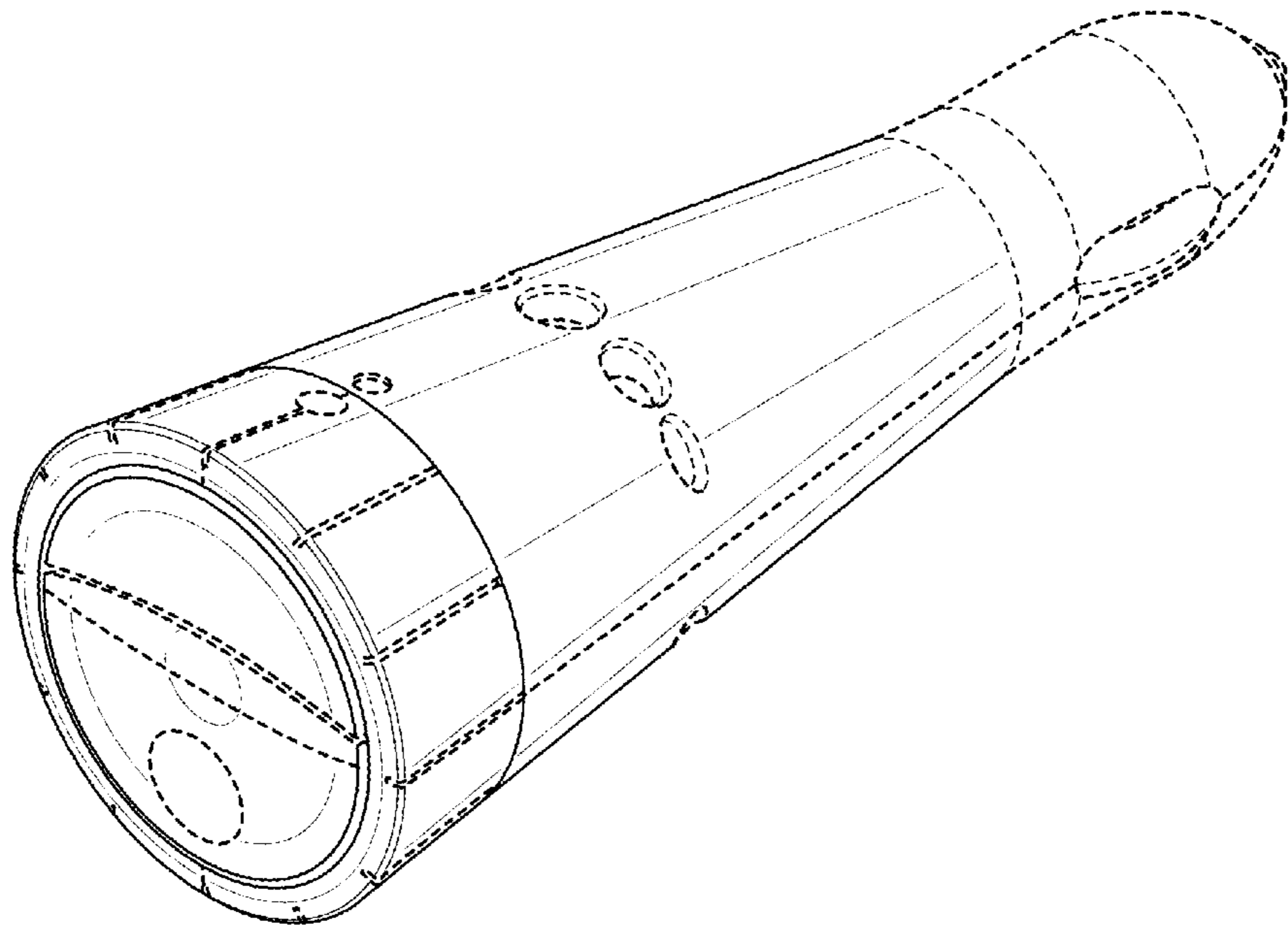


FIG. 1

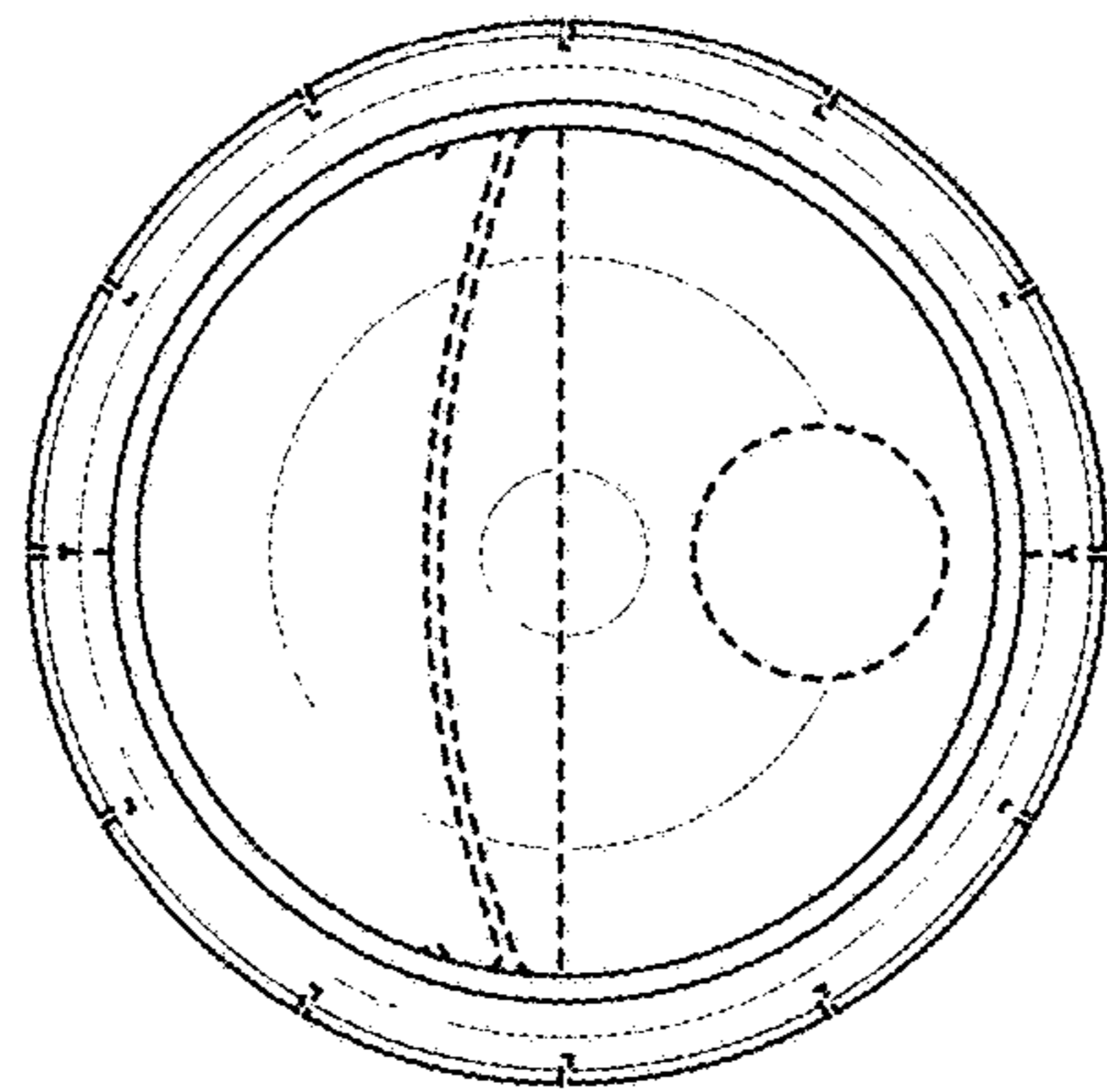


FIG. 2

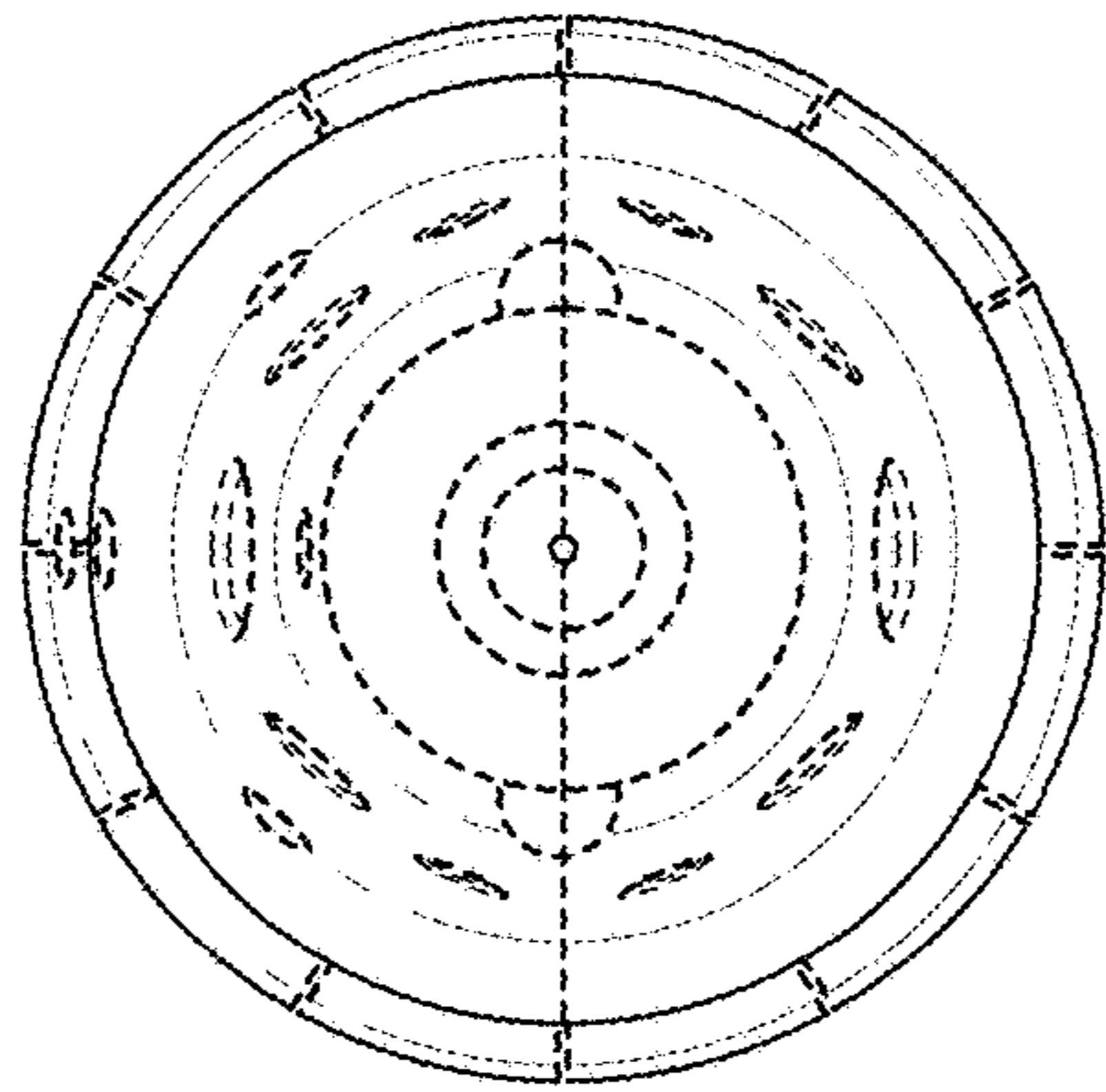


FIG. 3

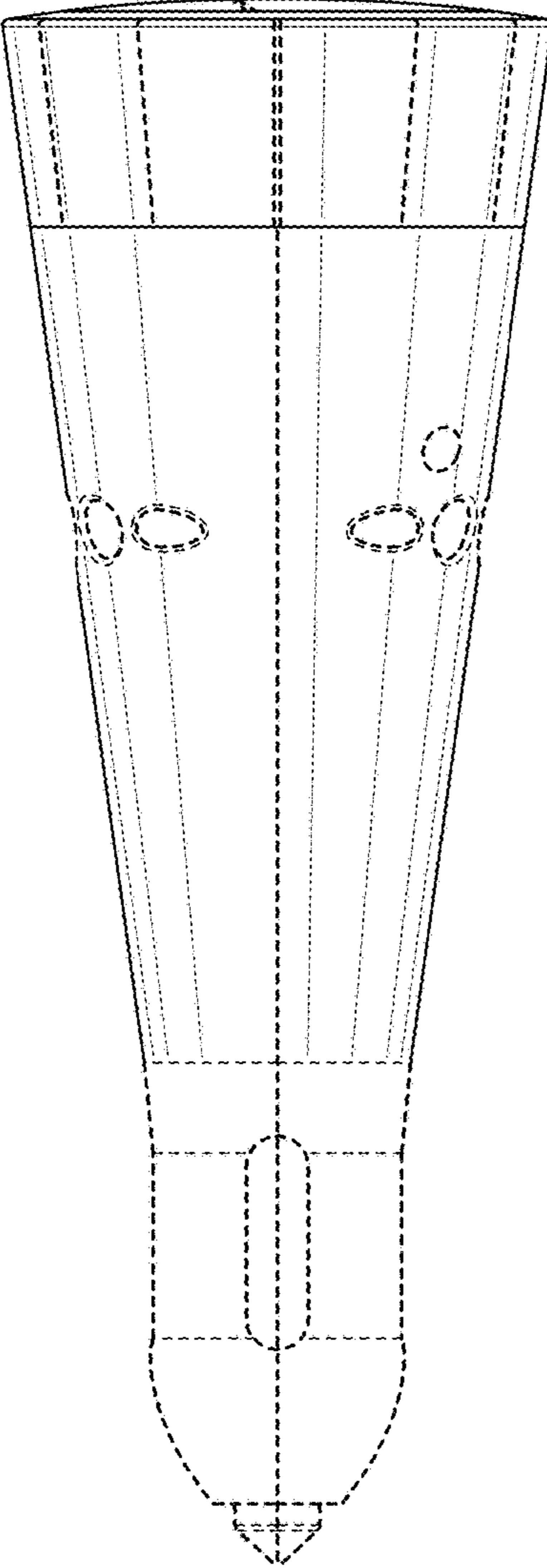


FIG. 4

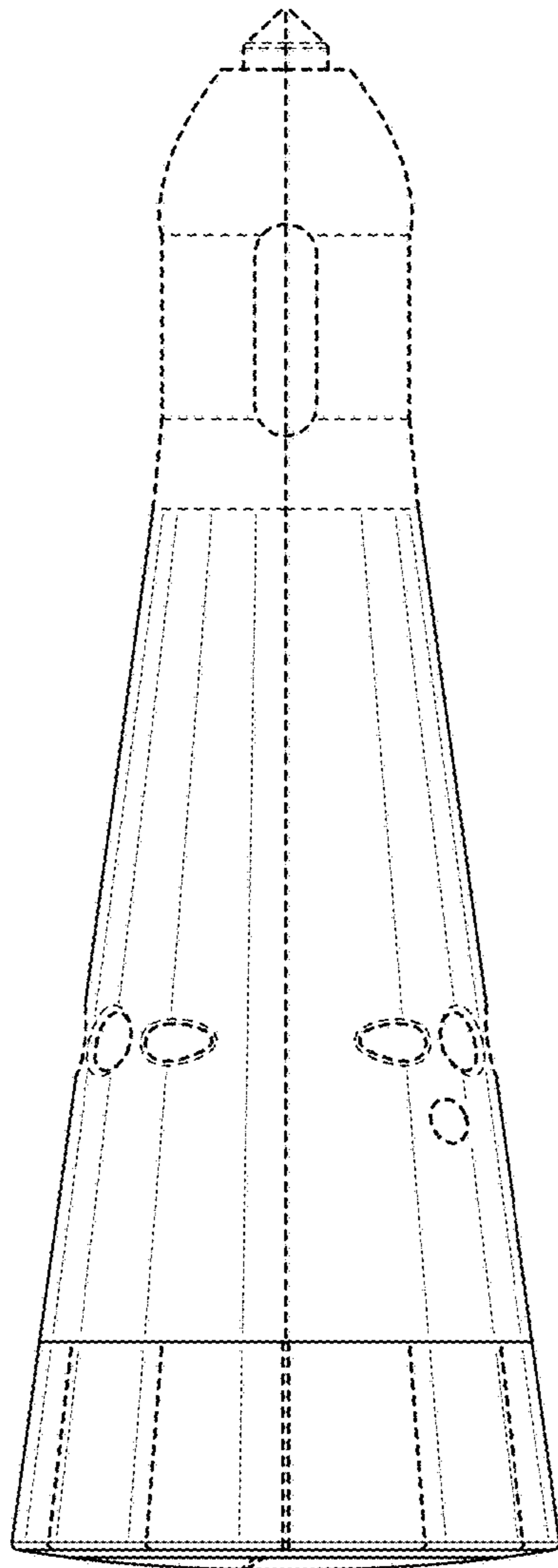


FIG. 5

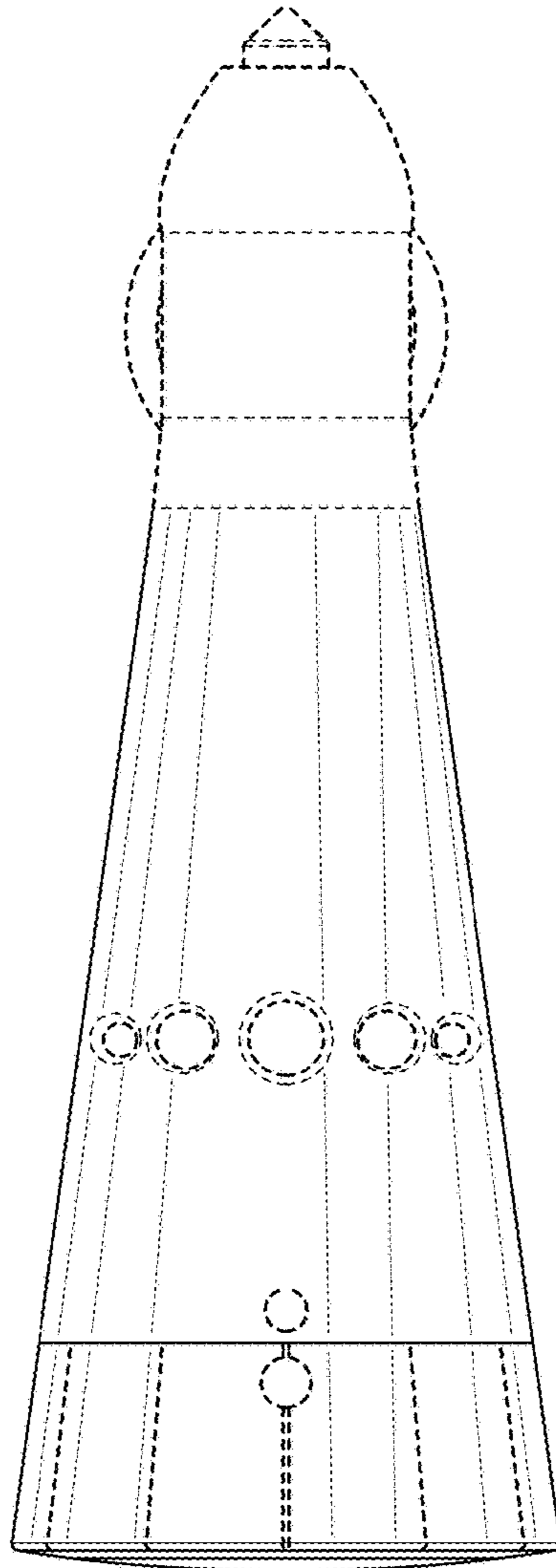


FIG. 6

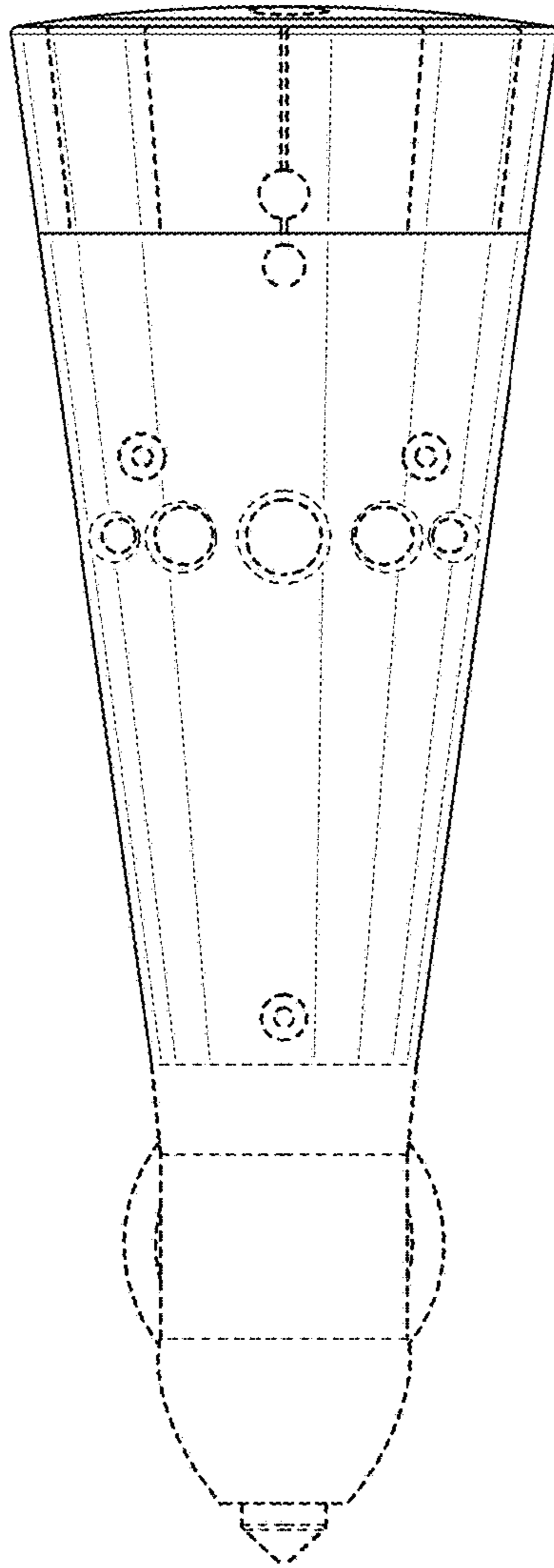


FIG. 7

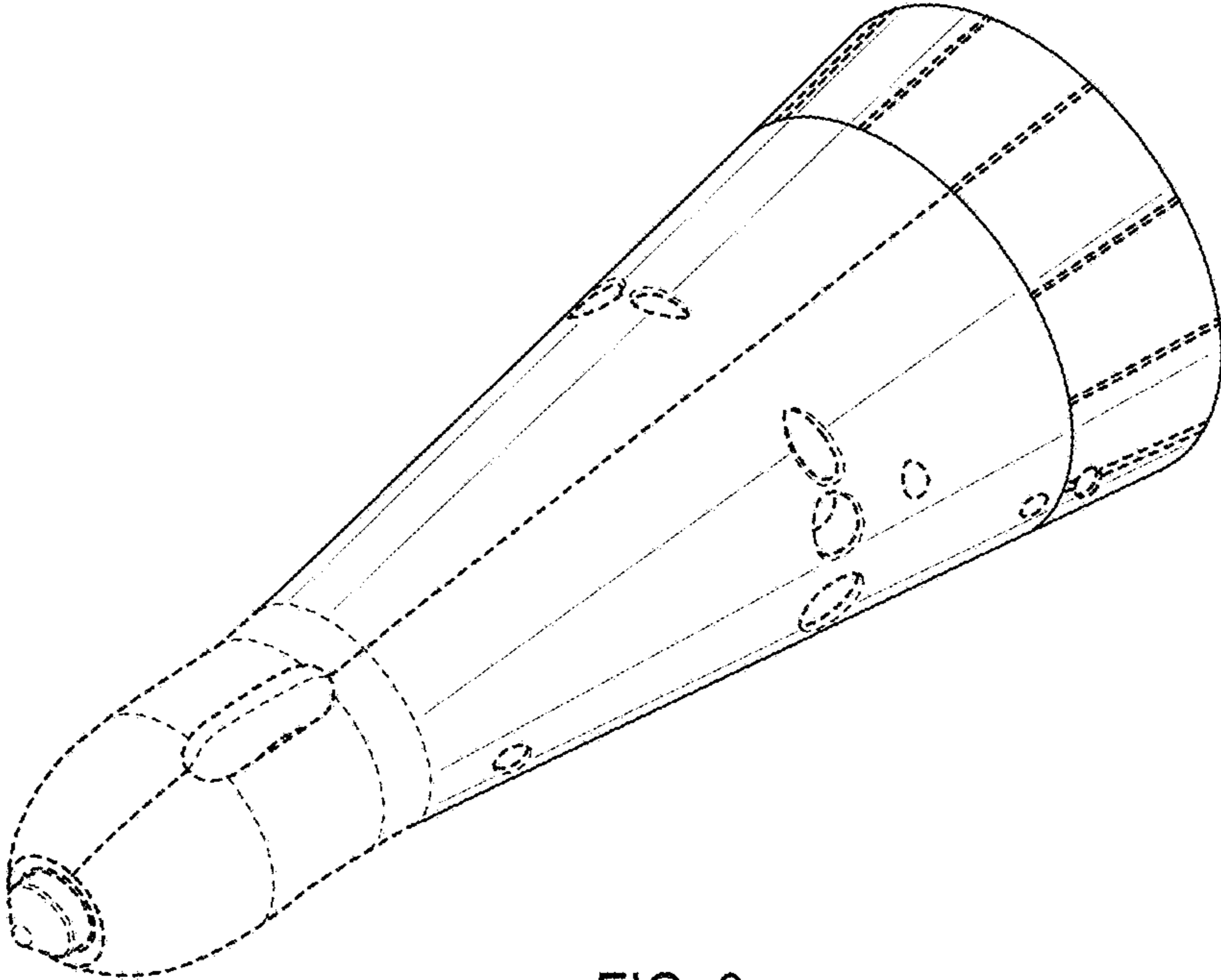


FIG. 8