



US00D861146S

(12) **United States Design Patent**
Dingle et al.

(10) **Patent No.:** **US D861,146 S**

(45) **Date of Patent:** **** Sep. 24, 2019**

- (54) **PORTABLE DEHUMIDIFIER**
- (71) Applicant: **THERMA-STOR LLC**, Madison, WI (US)
- (72) Inventors: **Steven S. Dingle**, McFarland, WI (US);
James A. Scharping, Madison, WI (US); **Todd R. DeMonte**, Cottage Grove, WI (US)
- (73) Assignee: **Therma-Stor LLC**, Madison, WI (US)

- D440,644 S * 4/2001 Potnis D23/359
- D445,116 S * 7/2001 Evans D15/79
- 6,680,028 B1 * 1/2004 Harris A61L 9/16
422/122
- D488,797 S * 4/2004 Hioki D14/168
- D502,961 S * 3/2005 Lo D18/34.6
- D556,250 S * 11/2007 Kent D18/34.6
- D557,735 S * 12/2007 Ho D18/34.6
- D581,111 S * 11/2008 DiPasquale D32/21
- D581,608 S * 11/2008 Dammkoehler D32/21

(Continued)

(**) Term: **15 Years**

(21) Appl. No.: **29/603,479**

(22) Filed: **May 10, 2017**

(51) **LOC (12) Cl.** **23-04**

(52) **U.S. Cl.**
USPC **D23/359**

(58) **Field of Classification Search**
USPC D23/359, 364, 355, 356, 360, 386, 366,
D23/369, 332, 333, 335, 342, 351, 365;
D14/188, 170, 172; D18/34.6; D34/24;
D32/21; 422/120, 122; 55/356, 473,
55/504; 96/97; 261/DIG. 17, DIG. 65,
261/DIG. 88, DIG. 31; 62/90, 92, 185,
62/272, 285, 292

CPC F24F 3/1423; F24F 11/0012; B01D 53/261
See application file for complete search history.

(56) **References Cited**

U.S. PATENT DOCUMENTS

- D171,429 S * 2/1954 Thompson D23/359
- 4,089,655 A * 5/1978 Razete A62B 11/00
422/120
- 4,778,496 A * 10/1988 Conrad B01D 46/00
55/356
- D312,304 S * 11/1990 Sexton D23/364
- D316,296 S * 4/1991 Lee D23/335
- D325,252 S * 4/1992 Morris D23/364
- D416,993 S * 11/1999 Dong D23/333

OTHER PUBLICATIONS

www.usephoenix.com, Phoenix Dry Max Manual, May 1, 2017,
https://www.usephoenix.com/pdf/Phoenix_Dry_Max_Manual.pdf.*

(Continued)

Primary Examiner — David G Muller
Assistant Examiner — Nathan M Johnston
(74) *Attorney, Agent, or Firm* — Baker Botts L.L.P.

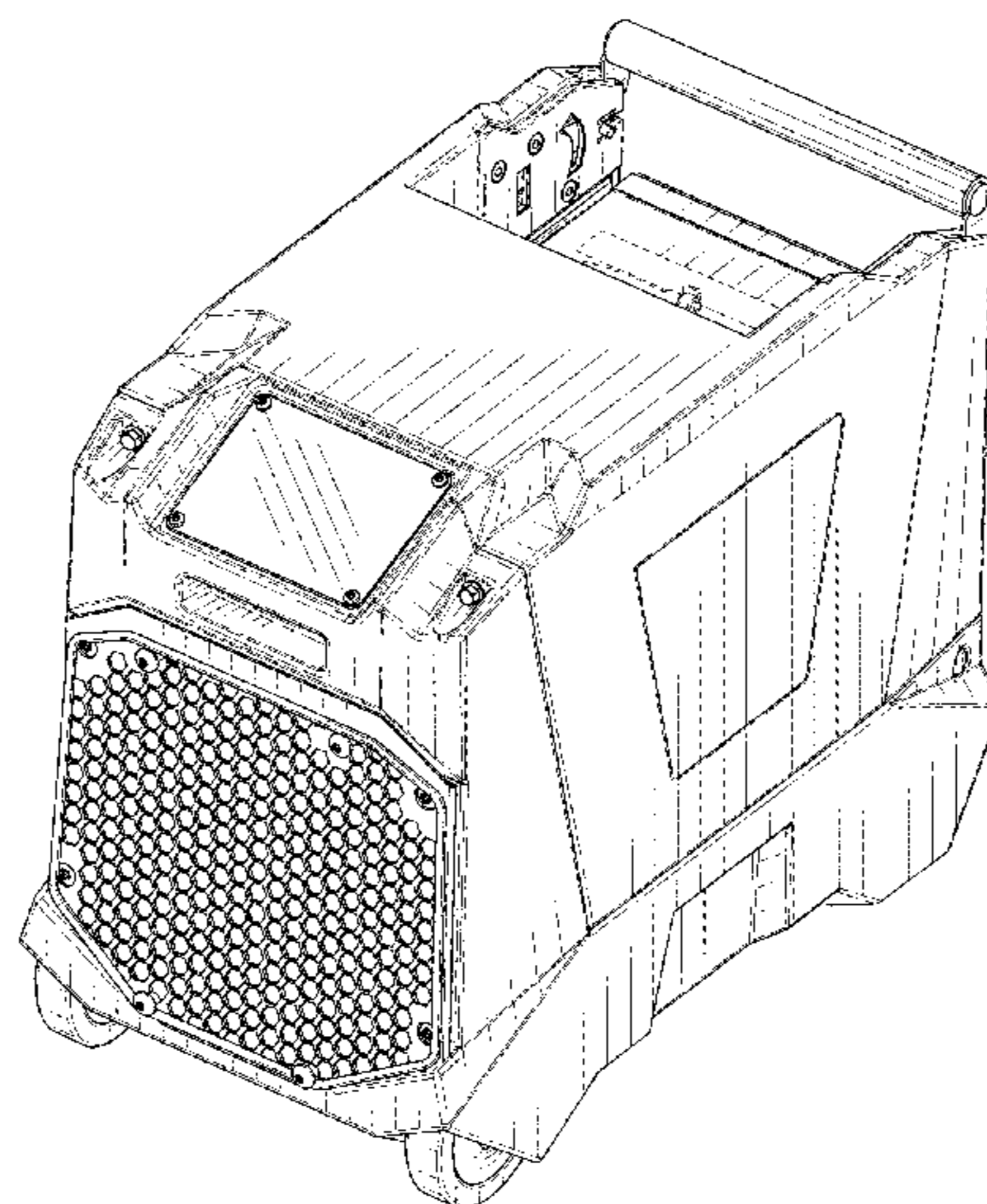
(57) **CLAIM**

The ornamental design for a portable dehumidifier, as shown and described.

DESCRIPTION

FIG. 1 is a perspective view of a portable dehumidifier showing our new design;
FIG. 2 is a front elevation view thereof;
FIG. 3 is a rear elevation view thereof;
FIG. 4 is a left side elevation view thereof;
FIG. 5 is a right side elevation view thereof;
FIG. 6 is a top plan view thereof;
FIG. 7 is a bottom plan view thereof; and,
FIG. 8 is another perspective view thereof.
The broken lines shown throughout these figures depict environmental subject matter only and form no part of the claimed design.

1 Claim, 8 Drawing Sheets



(56)

References Cited

U.S. PATENT DOCUMENTS

D634,414 S * 3/2011 Wolfe D23/359
D678,494 S * 3/2013 Wolfe D23/359
8,402,965 B1 * 3/2013 Scharfenberg A61M 16/10
128/201.21
8,430,941 B2 * 4/2013 Haynam B01D 46/0005
15/320
D684,737 S * 6/2013 Wolfe D32/21
D714,501 S * 9/2014 Dammkoehler D32/21
D731,632 S * 6/2015 Kulp D23/359
D746,523 S * 12/2015 Jin D32/21
D760,883 S * 7/2016 Mann D23/364
D802,861 S * 11/2017 Jin D32/21

OTHER PUBLICATIONS

New Zealand Intellectual Property Office, Examination Report,
Design Application No. 423544, dated Oct. 16, 2017.
<https://www.youtube.com/watch?v=py2YXvMNSqk>, Jul. 17, 2016.
Innovation, Science and Economic Development Canada, Canadian
Intellectual Property Office, Application for Registration of an
Industrial Design Examiner's Report, Ref. 200448-CA, Appln. No.
177414, Jul. 27, 2018.

* cited by examiner

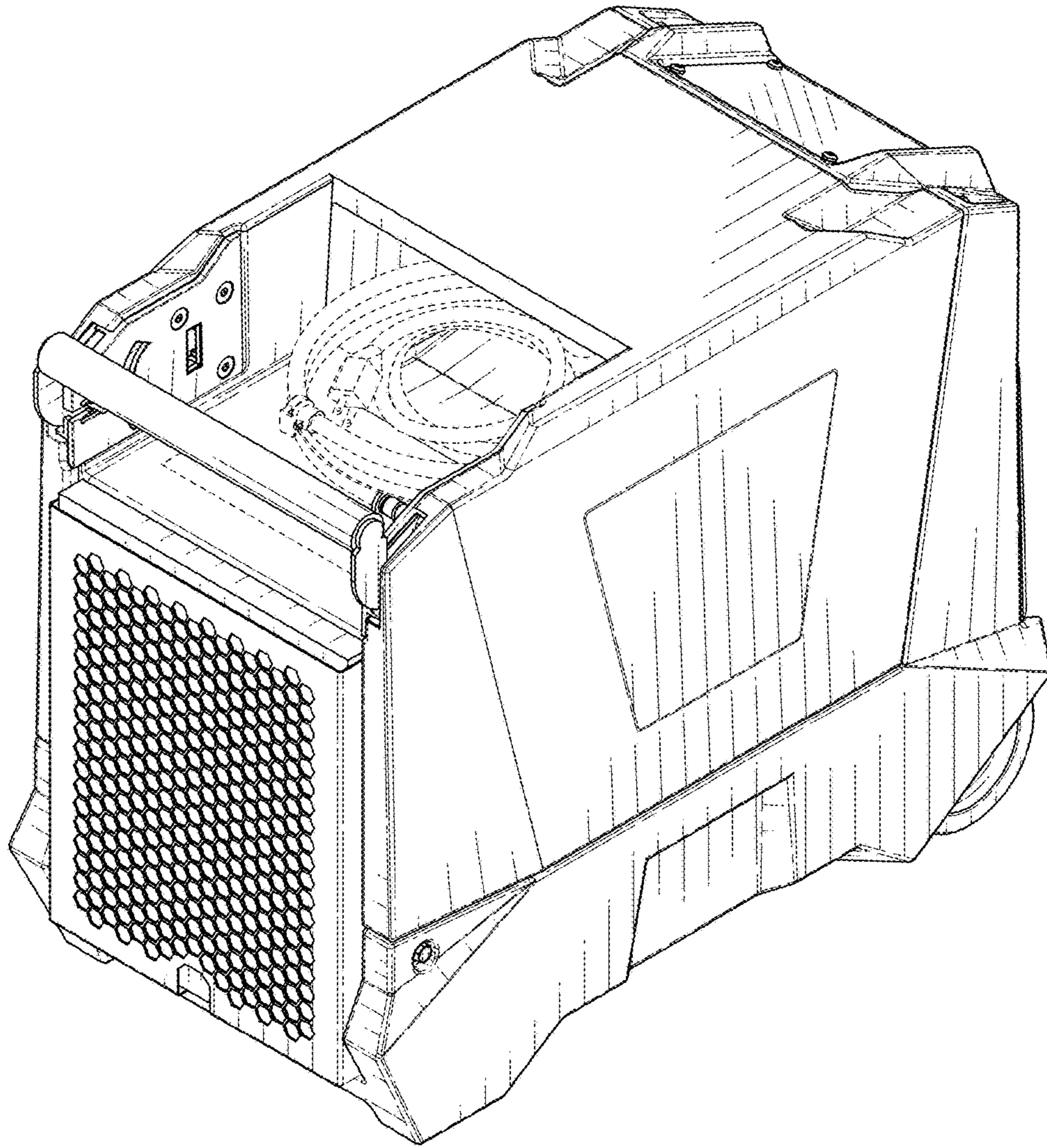


FIG. 1

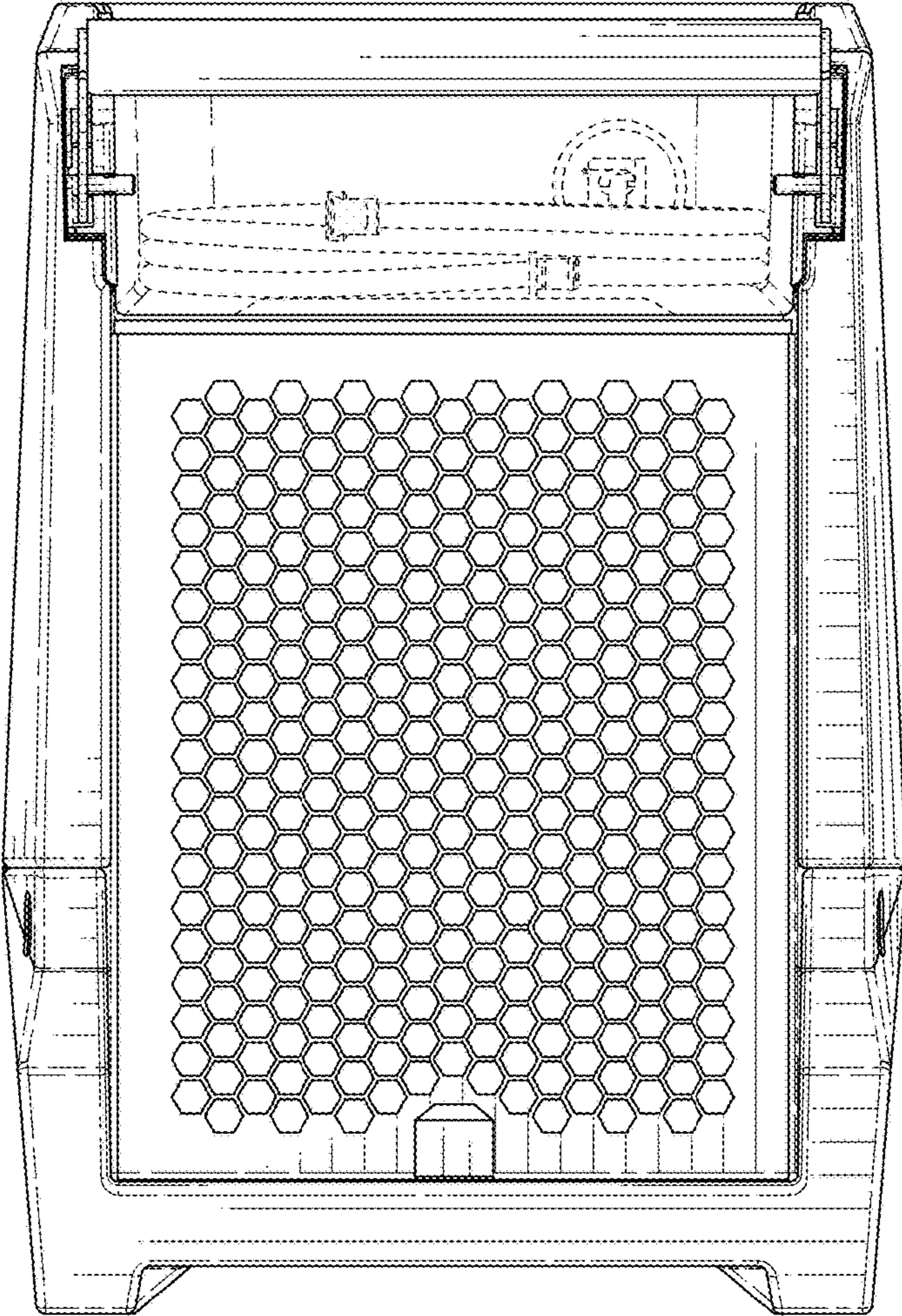


FIG. 2

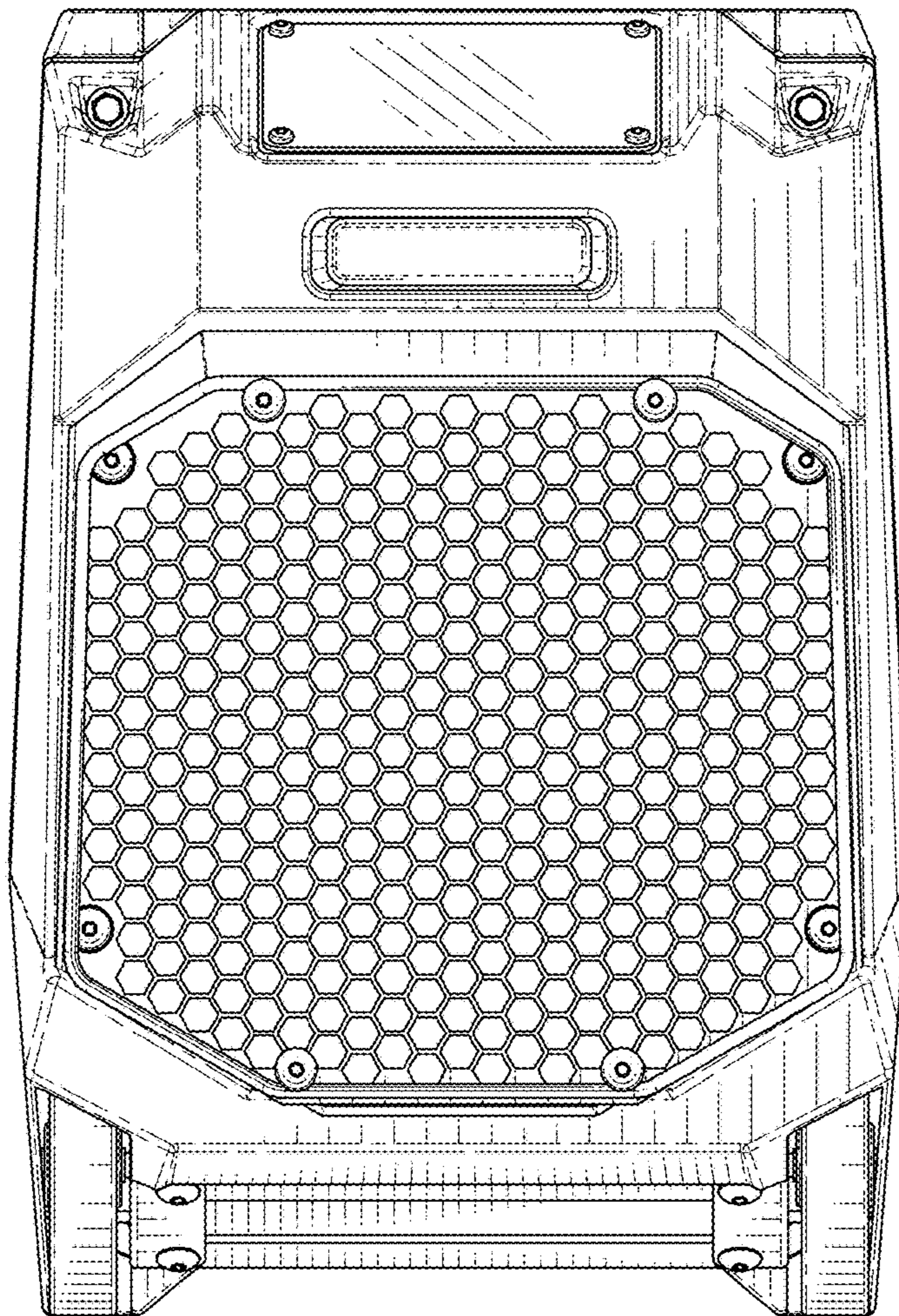


FIG. 3

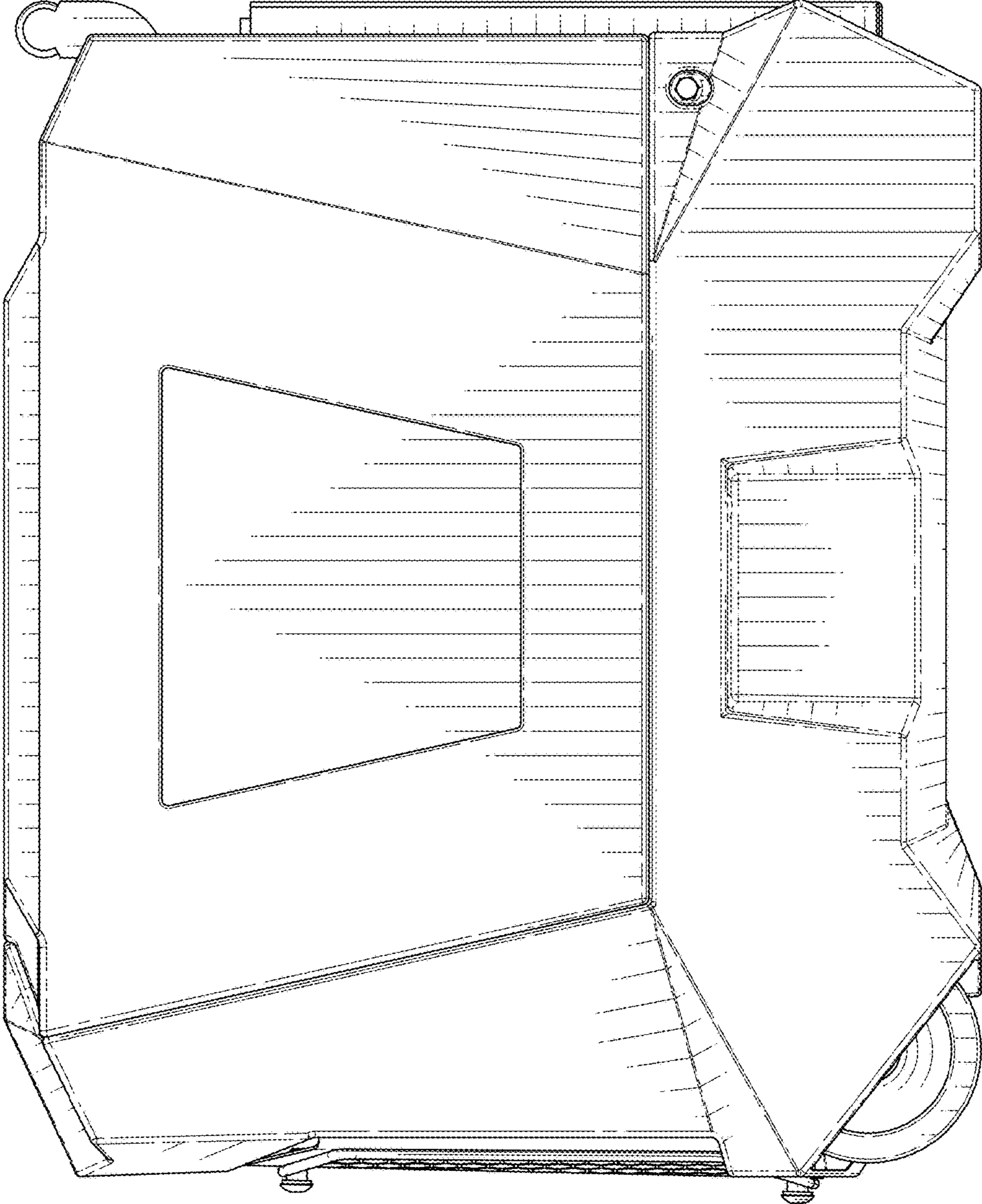


FIG. 4

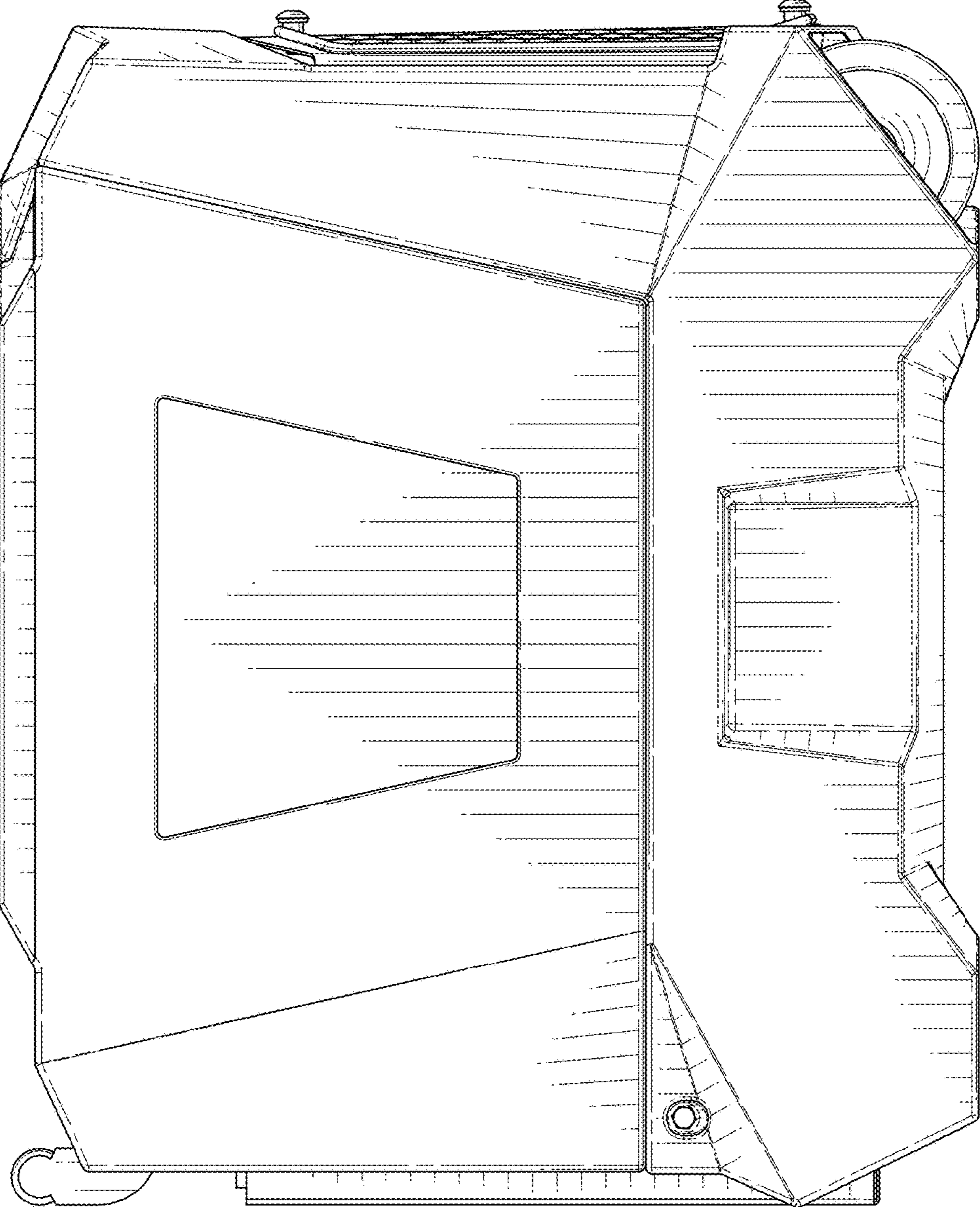


FIG. 5

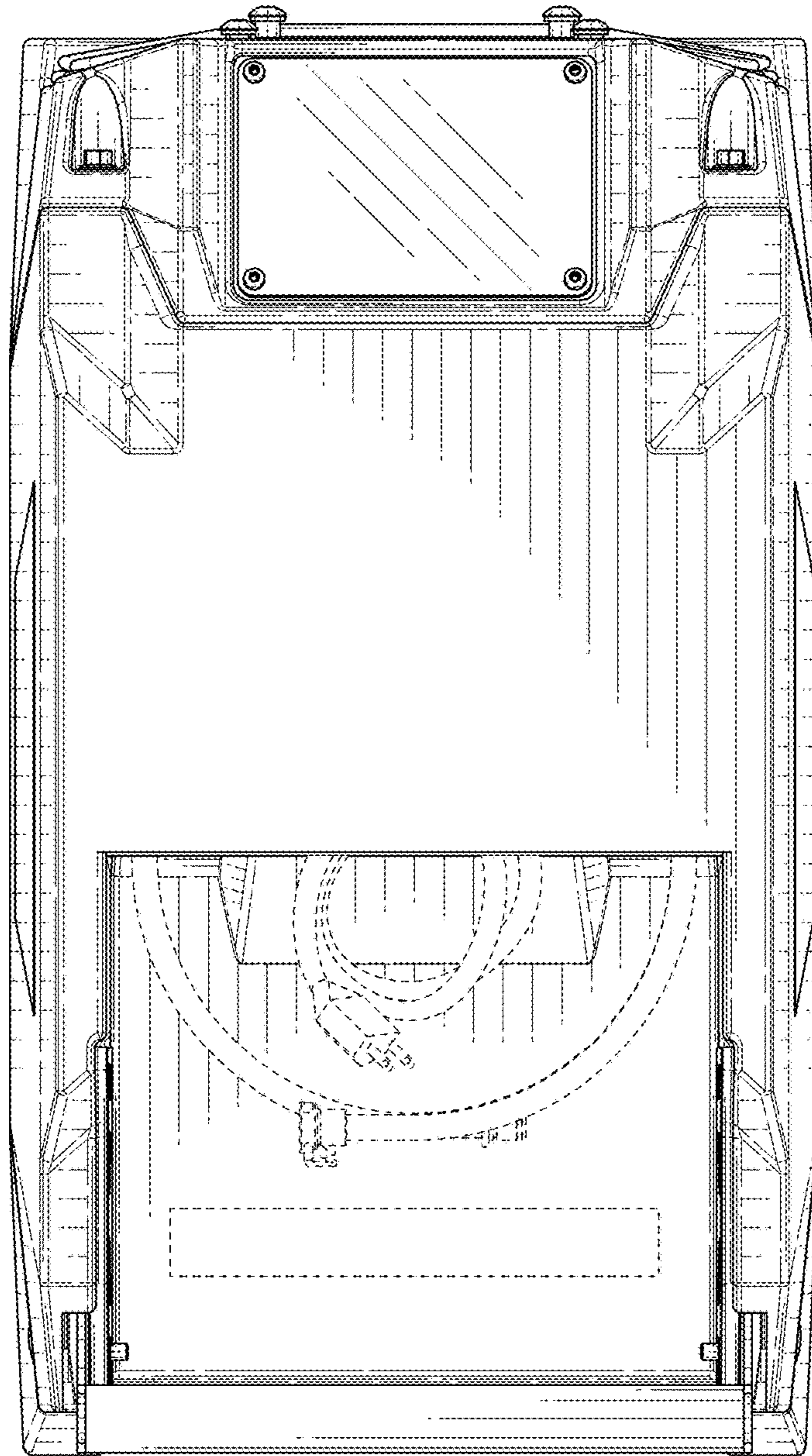


FIG. 6

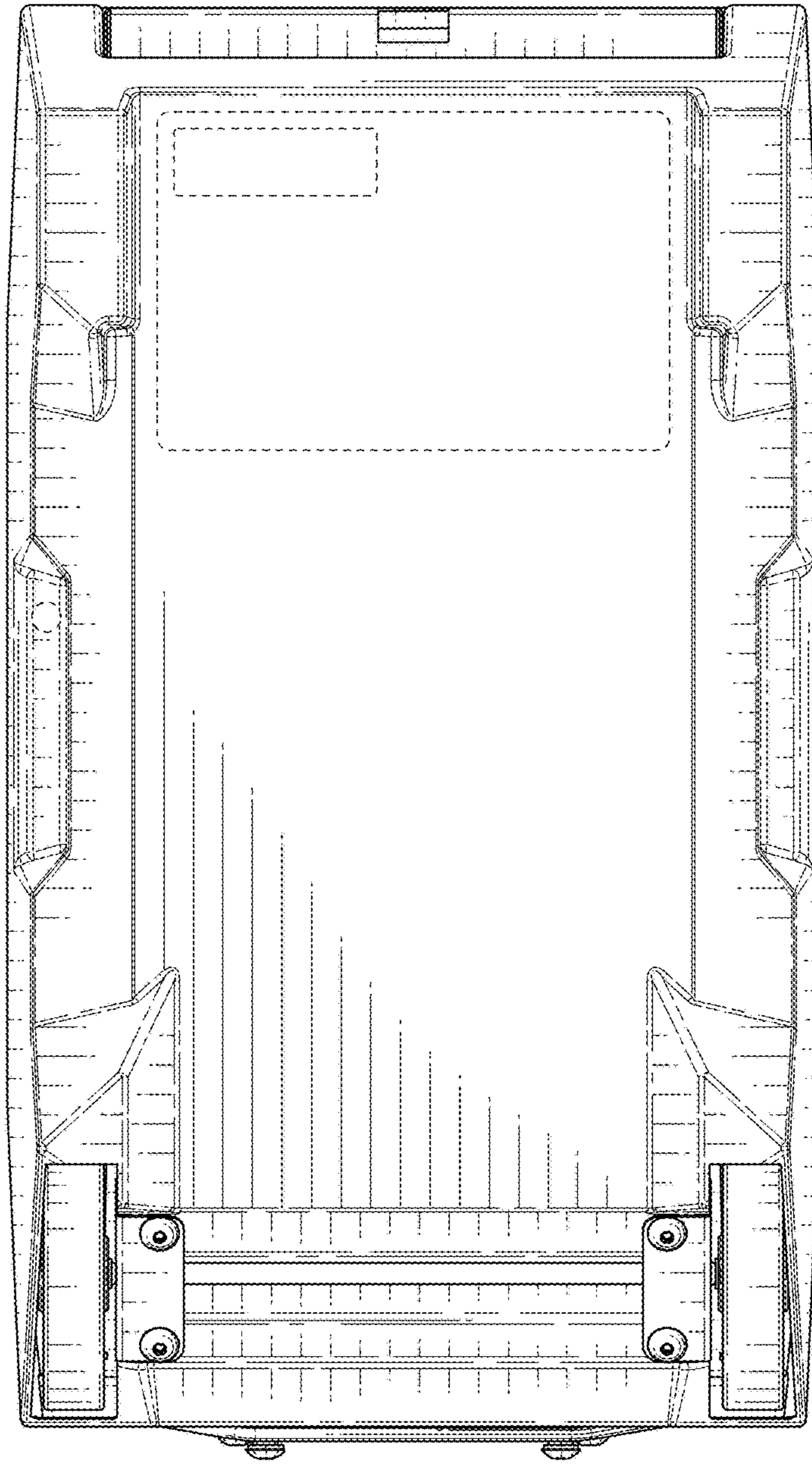


FIG. 7

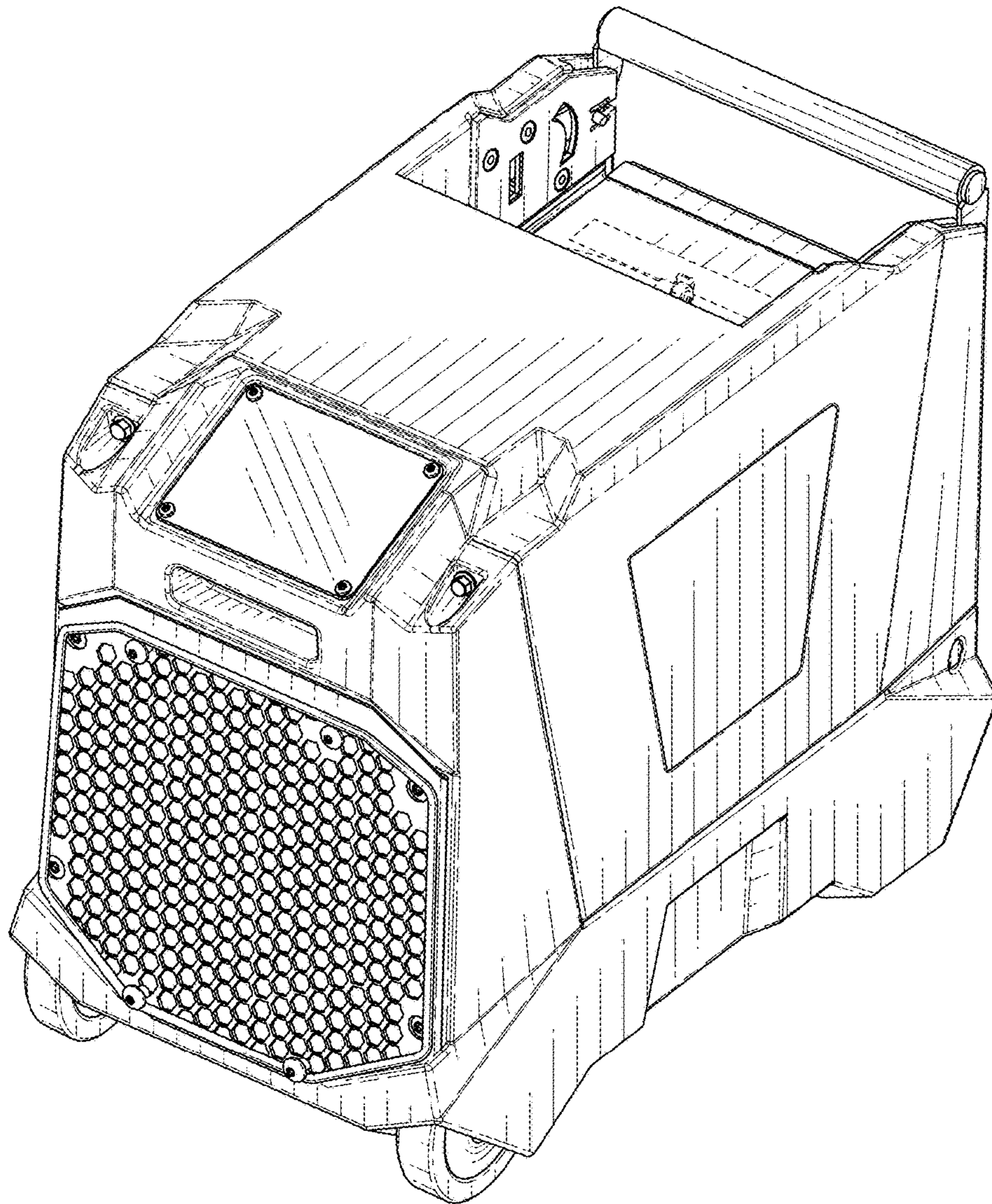


FIG. 8