



US00D861144S

(12) **United States Design Patent**
Wolf

(10) **Patent No.:** **US D861,144 S**

(45) **Date of Patent:** **** Sep. 24, 2019**

- (54) **PORTABLE FIRE PIT**
- (71) Applicant: **Mark Andrew Wolf**, Surprise, AZ (US)
- (72) Inventor: **Mark Andrew Wolf**, Surprise, AZ (US)
- (73) Assignee: **Fireside Industries, Inc.**, Surprise, AZ (US)

2,053,577 A * 9/1936 Pearson F24B 1/205
126/25 R
2,486,708 A * 11/1949 Fader A47J 37/0763
126/25 R
2,590,903 A 4/1952 Stretz
2,720,269 A 10/1955 Diacos
D179,649 S * 2/1957 Maddox D6/691.6
(Continued)

- (**) Term: **15 Years**
- (21) Appl. No.: **29/645,847**
- (22) Filed: **Apr. 30, 2018**

FOREIGN PATENT DOCUMENTS

CN 201567838 9/2010
CN 102872559 A 1/2013
(Continued)

Related U.S. Application Data

- (63) Continuation of application No. 15/928,424, filed on Mar. 22, 2018, now Pat. No. 10,151,490.
- (51) **LOC (12) Cl.** **23-03**
- (52) **U.S. Cl.**
USPC **D23/332**
- (58) **Field of Classification Search**
USPC D23/332, 314, 343, 348, 350, 346, 335,
D23/341, 342, 345, 347; D7/332-337,
D7/402-405, 352
CPC F24C 1/16; F24C 5/00; A47J 33/00; A47J
37/0763; A47J 37/07; F24B 1/18; F24B
1/182; F24B 1/1808; F24B 1/181; F24B
1/195; F24B 1/191; F24B 3/00
See application file for complete search history.

OTHER PUBLICATIONS

Erfpunt; firewatch; erfpunt.be; downloaded on Aug. 29, 2017 from
<http://www.erfpunt.be/np/page.pphp?id=487&title=vuuklok>.
(Continued)

Primary Examiner — Michelle E. Wilson
Assistant Examiner — Ania Aman
(74) *Attorney, Agent, or Firm* — Knobbe, Martens, Olson
& Bear LLP

(57) **CLAIM**

The ornamental design for a portable fire pit, as shown and described.

DESCRIPTION

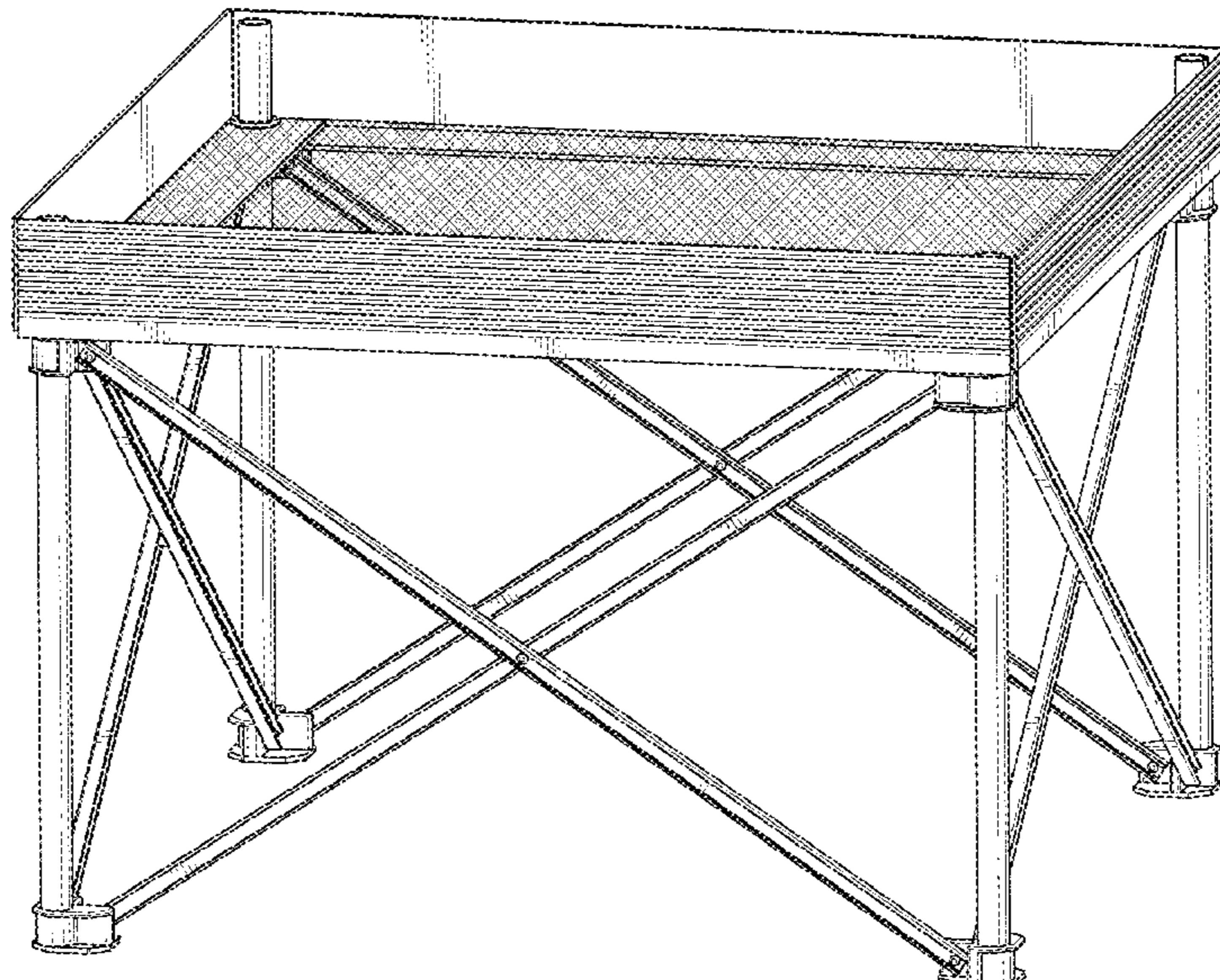
FIG. 1 is a front perspective view of a portable fire pit showing my new design;
FIG. 2 is a front view of the portable fire pit of FIG. 1, the left, right, and rear views being identical images thereof;
FIG. 3 is a top view of the portable fire pit of FIG. 1; and,
FIG. 4 is a bottom view of the portable fire pit of FIG. 1.

(56) **References Cited**

U.S. PATENT DOCUMENTS

73,922 A 1/1868 Philbrick
585,001 A 6/1897 MacDonald
1,540,434 A 6/1925 Stone
D91,639 S * 2/1934 Stulik 126/25 R
2,003,974 A * 6/1935 Pearson F24B 1/205
126/25 R

1 Claim, 4 Drawing Sheets



(56)

References Cited

U.S. PATENT DOCUMENTS

2,928,385 A * 3/1960 Peplin A47J 37/0763
126/25 R

2,933,378 A 4/1960 Mustin et al.

3,028,228 A 4/1962 Chaplin

3,105,483 A 10/1963 Bryan

3,249,101 A * 5/1966 Weissman A47J 37/0763
108/163

3,279,900 A 10/1966 Naples

3,490,433 A 1/1970 Busenbarrick

3,491,743 A 1/1970 Temp

3,606,066 A 9/1971 Anderson

3,782,475 A 1/1974 Schmidt

3,841,298 A 10/1974 Sellors

4,434,784 A 3/1984 Van Patten

4,478,601 A 10/1984 Stephens

4,508,094 A 4/1985 Hait

4,635,612 A 1/1987 Kakubari et al.

4,658,906 A 4/1987 Hanten

4,719,935 A 1/1988 Gustafson

4,751,911 A 6/1988 Betts et al.

4,759,276 A 7/1988 Segroves

4,829,975 A 5/1989 Hait

4,832,703 A 5/1989 Campana et al.

5,105,725 A 4/1992 Haglund

5,163,414 A * 11/1992 Haynes, Jr. A47J 37/0763
108/119

5,253,634 A 10/1993 LeBouf

5,766,275 A 6/1998 Chandaria

5,809,989 A 9/1998 Nelson

D404,962 S * 2/1999 Matthews D7/332

5,984,406 A 11/1999 Lee

6,074,446 A 6/2000 Fujino

6,101,931 A 8/2000 Miklos

6,131,560 A 10/2000 Healy

6,173,644 B1 1/2001 Krall

6,254,265 B1 7/2001 MacDonald

6,349,713 B1 2/2002 Toyama

6,467,474 B2 10/2002 Hermansen et al.

6,918,387 B2 7/2005 Klarich et al.

6,962,148 B1 11/2005 Ashbaugh

6,997,111 B2 2/2006 Geigerich

7,445,004 B1 11/2008 Milner et al.

7,644,711 B2 1/2010 Creel

D618,482 S * 6/2010 Gaze D7/332

8,216,322 B2 7/2012 Schweickhardt

8,327,834 B1 12/2012 Judge

8,584,580 B2 11/2013 Barrett

10,151,490 B1 12/2018 Wolf

D844,359 S * 4/2019 Hofer D7/332

2003/0029443 A1 2/2003 Davis et al.

2003/0140577 A1 7/2003 Cote

2003/0145845 A1 8/2003 Brocking

2004/0262018 A1 12/2004 Roussin

2006/0076003 A1 4/2006 Smolinsky et al.

2006/0102169 A1 5/2006 Smolinsky

2006/0225725 A1 10/2006 Rinaldo

2009/0194297 A1 8/2009 Teruel

2011/0162634 A1 7/2011 Richard

2011/0192392 A1 * 8/2011 Chen A47J 37/0763
126/25 R

2011/0209738 A1 9/2011 McCarty

2012/0125323 A1 5/2012 Goeken

2012/0152962 A1 6/2012 Arbuckle

2012/0318255 A1 12/2012 Brown

2013/0298895 A1 11/2013 Robb

2014/0069411 A1 3/2014 Huang

2014/0109896 A1 4/2014 Codner

2015/0004297 A1 1/2015 Pothetes

2016/0029566 A1 2/2016 Gaudet

2016/0033160 A1 2/2016 Gaudet et al.

2016/0338535 A1 11/2016 Witsch

2017/0081607 A1 3/2017 Schunk

2017/0276343 A1 9/2017 Wolf

2017/0276371 A1 9/2017 Wolf

FOREIGN PATENT DOCUMENTS

DE 20 2015 105 251 U1 11/2015

EP 2933564 12/2016

OTHER PUBLICATIONS

Fire Blanket Demonstration, "Fire Away Fire Blanket", Jan. 20, 2011, Youtube.com.

The Historic Foodie; Couere-feu, The Practice of Preserving Fire; Nov. 2, 2011; thehistoricfoodie.wordpress.com; <https://thehistoricfoodie.wordpress.com/2011/11/02/couere-fue-the-practice-of-preserving-fire%C2%A9/>.

LAPLANDER1, Frisport Andersnatten Extreme 6-8 Person Lavvu, Laplander's Natural Lore Blog, available at: <https://naturallore.wordpress.com/2011/08/31/frisport-andersnatten-extreme-6-8-person-lavvu/>, dated Aug. 31, 2011.

Memory of the Netherlands; Fire bell; gehugenvannederland.nl; downloaded on Aug. 29, 2017 from <http://www.gehugenvannederland.nl/nl/geheugen/view?coll=ngvn&identifier=ZZM01%3A011323>.

Objectlessons.com, Curfew, Fire Cover, Medieval, Replica webpage, downloaded on Jun. 13, 2017 from <https://www.objectlessons.org/houses-and-homes-medieval/curfew-fire-cover-medieval-replica/s61/a245/>.

Podpads.com, Bell Tent, downloaded on Feb. 24, 2016 <http://podpads.com/bell-tent>.

Portable Outdoor Fire Pit : Collapsing Steel Mesh FirePlace—Perfect for Camping, Backyard and Garden—Carrying Bag Included; downloaded on Jan. 2, 2018 from https://www.amazon.com/Portable-Outdoor-Fire-Pit-Collapsing/dp/B01NBU7XLH/ref=sr_; in 4 pages.

Weber.com, Original Kettle Series, downloaded on Jun. 13, 2017 from <https://www.weber.com/US/en/grills/original-kettle-charcoal-grill>.

Welding-Blankets.com; downloaded on Dec. 1, 2009 from <http://www.welding-blankets.com>.

Werkgroep Archeologie Hulst; Veiligheid in huis; archeologiehulst.nl; downloaded on Aug. 29, 2017 from <http://www.archeologiehulst.nl/pagina33.html>.

Venetian Cat Studio; Medieval, Todor, Renaissance, Colonial; Feb. 28, 2016; venetiancat.com; <http://venetiancat.com/CookwareAncientP2.html>.

International Search Report and Written Opinion in co-pending Application No. PCT/US2019/013112, dated Mar. 12, 2019, in 11 pages.

* cited by examiner

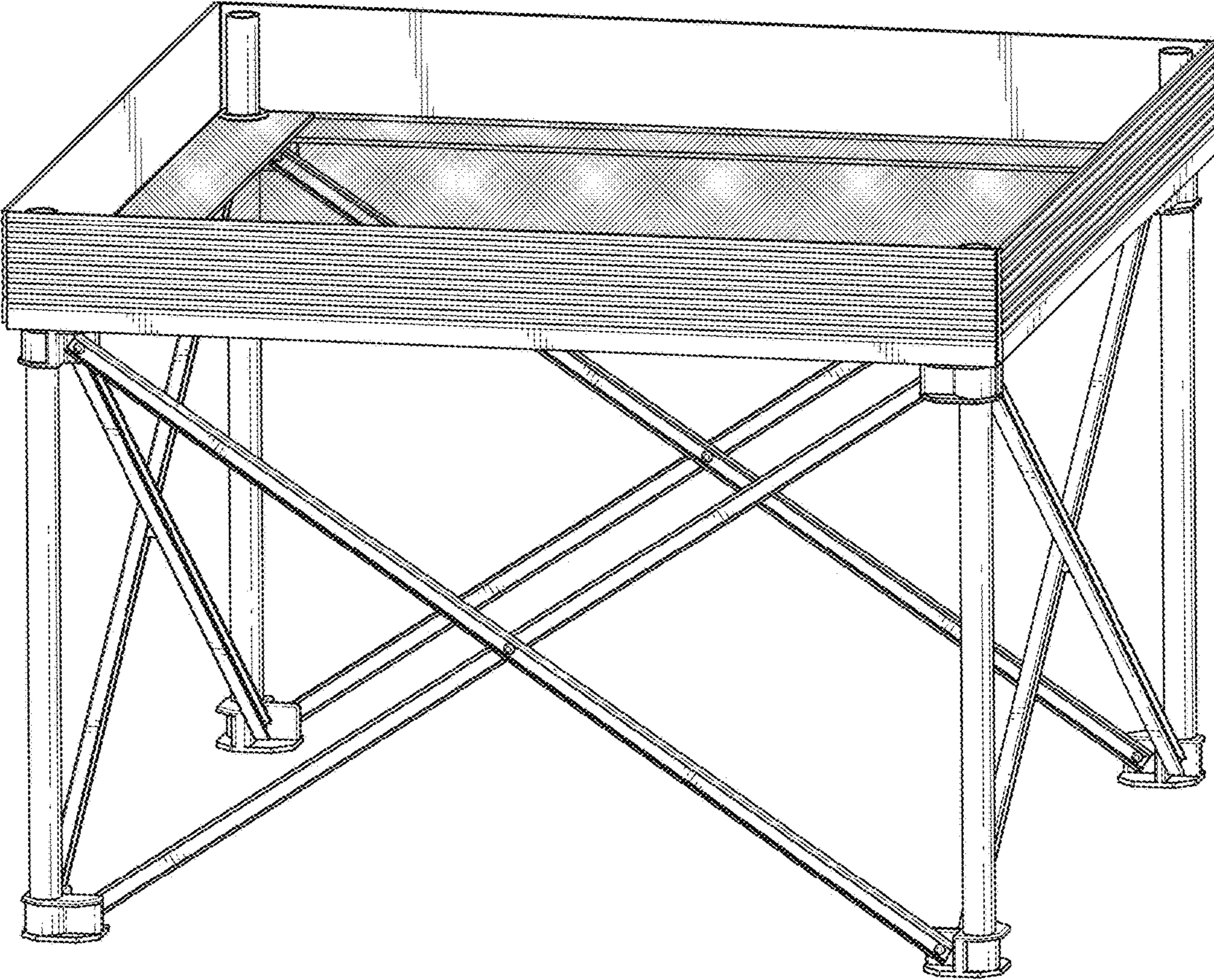


FIG. 1

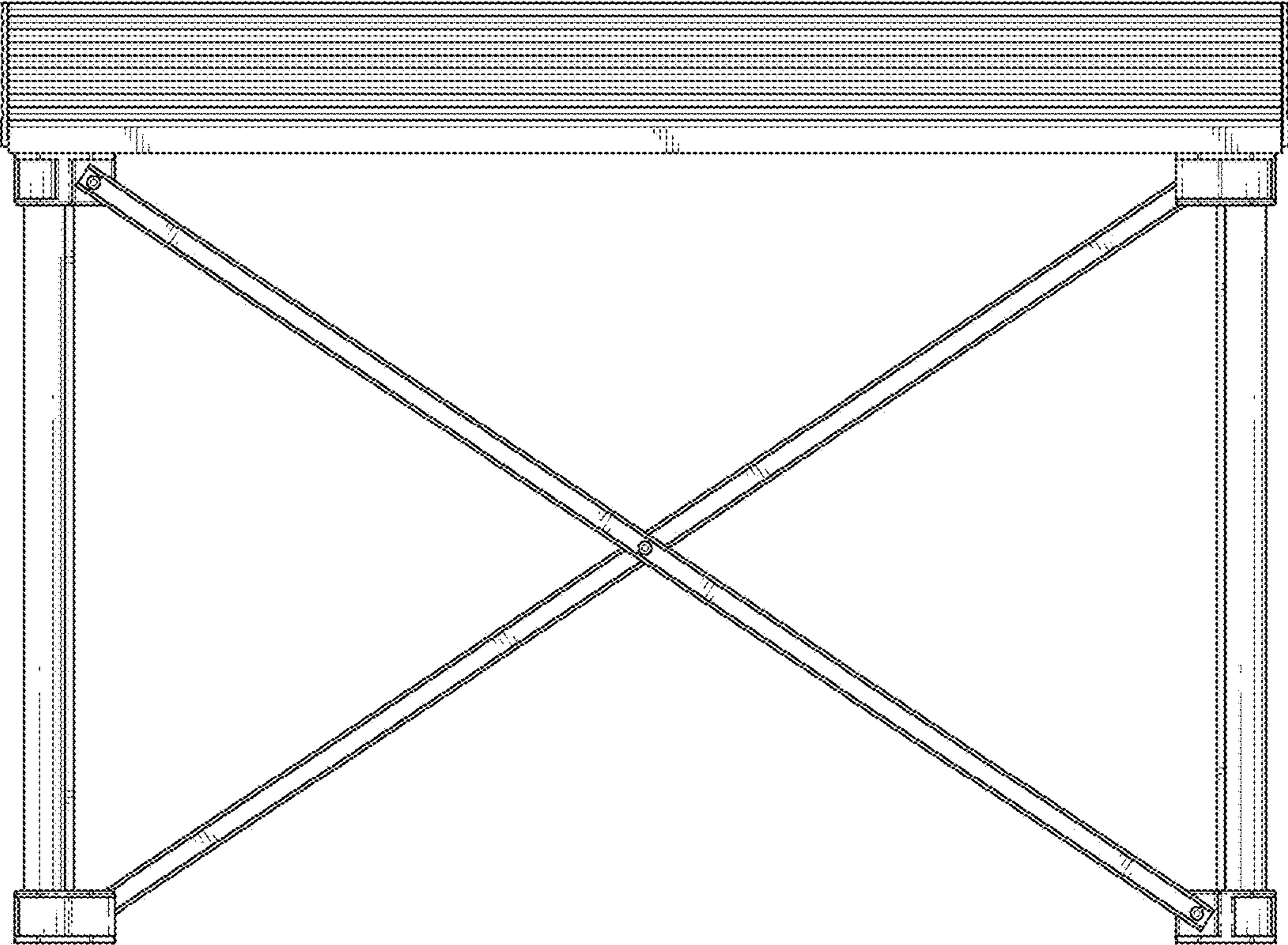


FIG. 2

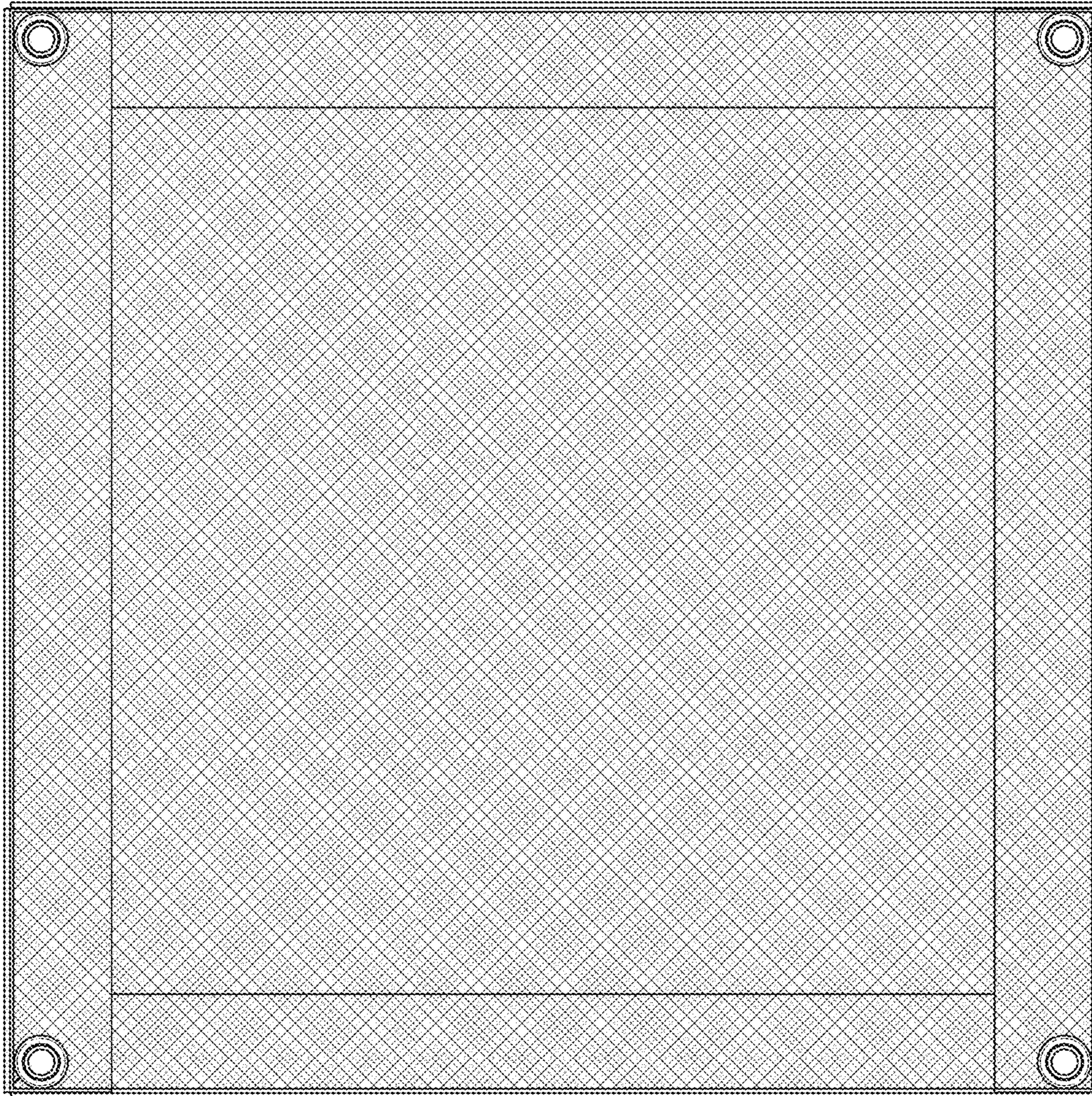


FIG. 3

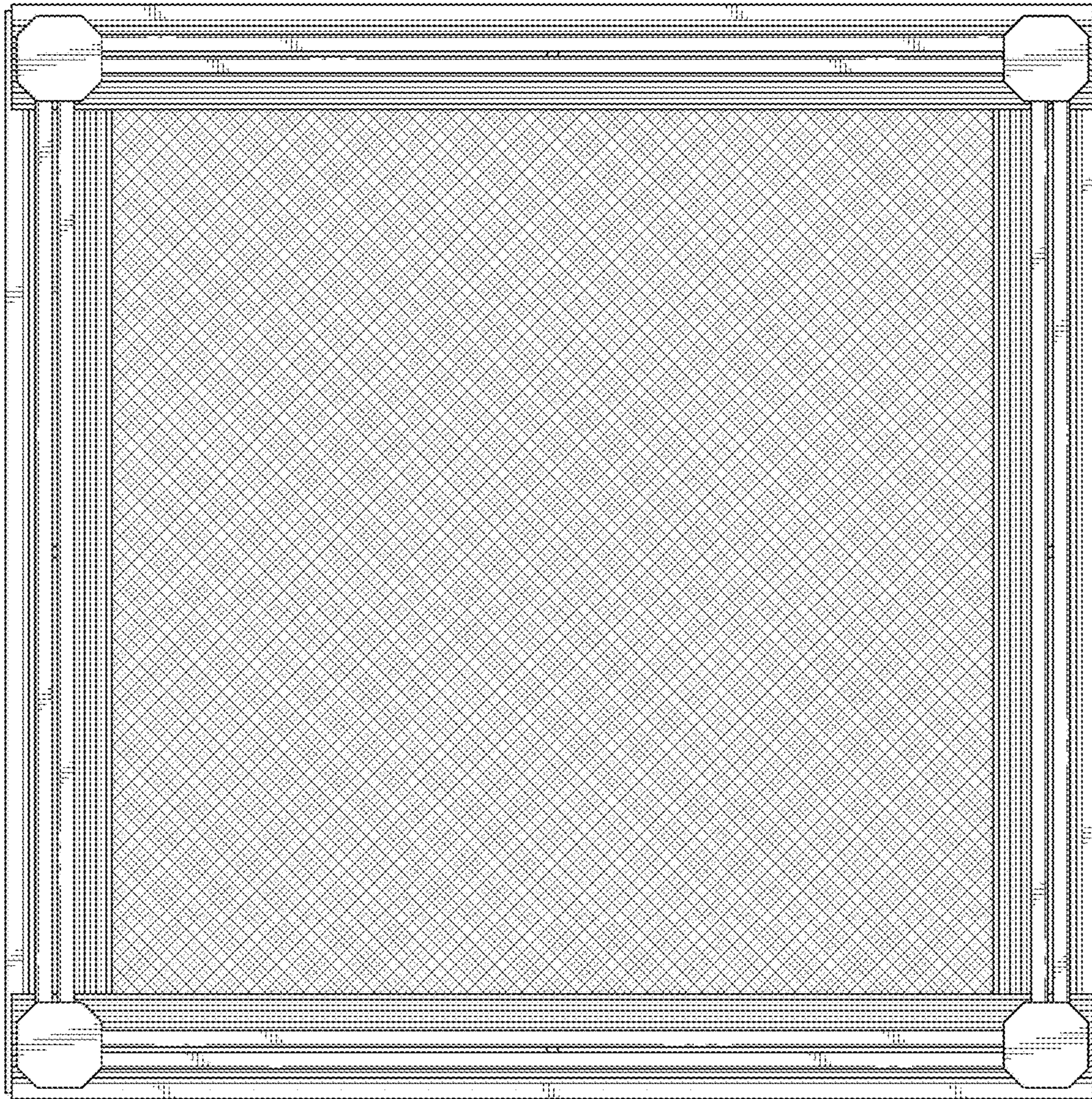


FIG. 4