



US00D861143S

(12) **United States Design Patent** (10) **Patent No.:** **US D861,143 S**
Taylor et al. (45) **Date of Patent:** **** Sep. 24, 2019**

- (54) **LAVATORY**
- (71) Applicant: **Kohler Co.**, Kohler, WI (US)
- (72) Inventors: **Eden Taylor**, Milwaukee, WI (US);
Roque M. Corpuz, Jr., Sheboygan, WI (US)
- (73) Assignee: **KOHLER CO.**, Kohler, WI (US)
- (**) Term: **15 Years**
- (21) Appl. No.: **29/639,196**
- (22) Filed: **Mar. 5, 2018**

Related U.S. Application Data

- (62) Division of application No. 29/570,974, filed on Jul. 13, 2016, now Pat. No. Des. 814,613.
- (51) **LOC (12) Cl.** **23-02**
- (52) **U.S. Cl.**
USPC **D23/308**; D23/293.1
- (58) **Field of Classification Search**
USPC D23/284, 287-292, 293.1, 303, 308;
D9/425; D8/1; D11/155, 156; D3/304
CPC A47K 1/04; A47B 77/06; A47J 47/20
See application file for complete search history.

(56) **References Cited**

U.S. PATENT DOCUMENTS

D295,670 S	5/1988	Reid et al.	
D412,204 S	7/1999	Slothower et al.	
D416,991 S	11/1999	Caplow	
D499,797 S	12/2004	Bates	
D537,921 S	3/2007	Kirar	
D538,900 S	3/2007	Bates et al.	
D545,417 S *	6/2007	Tani	D23/293.1
D560,780 S	1/2008	Hanna	
D588,239 S	3/2009	Slothower	
D588,240 S	3/2009	Slothower	
D588,242 S	3/2009	Hanna	

D588,682 S *	3/2009	Maruhashi	D23/293.1
D598,525 S	8/2009	Ferris	
D601,678 S	10/2009	Soulier	
D607,979 S	1/2010	Jiang et al.	
D624,163 S *	9/2010	Kakahana	D23/293.1

(Continued)

OTHER PUBLICATIONS

Kohler Fixtures 2016 Price Book, pp. 271-311.

Primary Examiner — Lakiya G Rogers

Assistant Examiner — John A Voytek

(74) *Attorney, Agent, or Firm* — Foley & Lardner LLP

(57) **CLAIM**

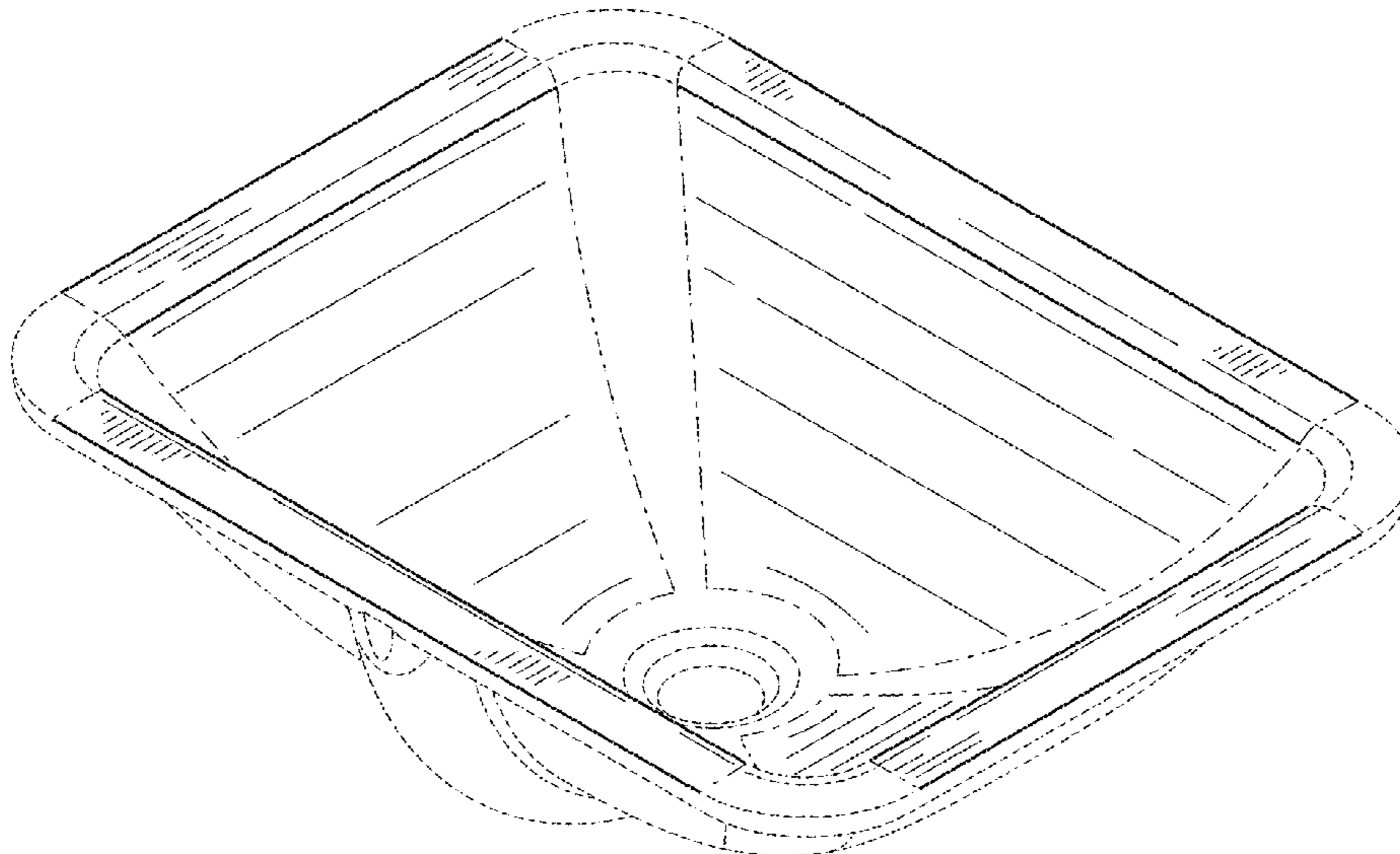
We claim the ornamental design for a lavatory, as shown and described.

DESCRIPTION

FIG. 1 is a perspective view of the claimed design;
 FIG. 2 is a top view of the claimed design shown in FIG. 1;
 FIG. 3 is a bottom side view of the claimed design shown in FIG. 1;
 FIG. 4 is front view of the claimed design shown in FIG. 1;
 FIG. 5 is a cross-sectional view of the claimed design shown in FIG. 1 taken along line 5-5 in FIG. 2;
 FIG. 6 is a side view of the claimed design shown in FIG. 1; and,
 FIG. 7 is a cross-sectional view of the claimed design shown in FIG. 1 taken along line 7-7 in FIG. 2.

In the drawings, the broken lines depict portions of the article that form no part of the claimed design. For example, broken lines formed by equal length dashes show unclaimed portions of the design. Broken lines formed of unequal length dashes (i.e., dash-dot) show boundaries between either claimed and unclaimed portions of the design or between unclaimed and unclaimed portions of the design.

1 Claim, 4 Drawing Sheets



(56)

References Cited

U.S. PATENT DOCUMENTS

D624,164 S *	9/2010	Kakihana	D23/293.1
D670,795 S	11/2012	Wang	
D678,991 S	3/2013	Stauffer	
D687,529 S	8/2013	Stauffer	
D713,514 S *	9/2014	Chen	D23/284
D722,143 S	2/2015	Clarke et al.	
D722,370 S	2/2015	LeTourneau et al.	
D740,925 S	10/2015	Casey	
D752,726 S	3/2016	Clarke et al.	
D765,229 S *	8/2016	Stauffer	D23/308
D767,741 S	9/2016	Clarke	
D825,038 S *	8/2018	Corpuz	D23/293.1

* cited by examiner

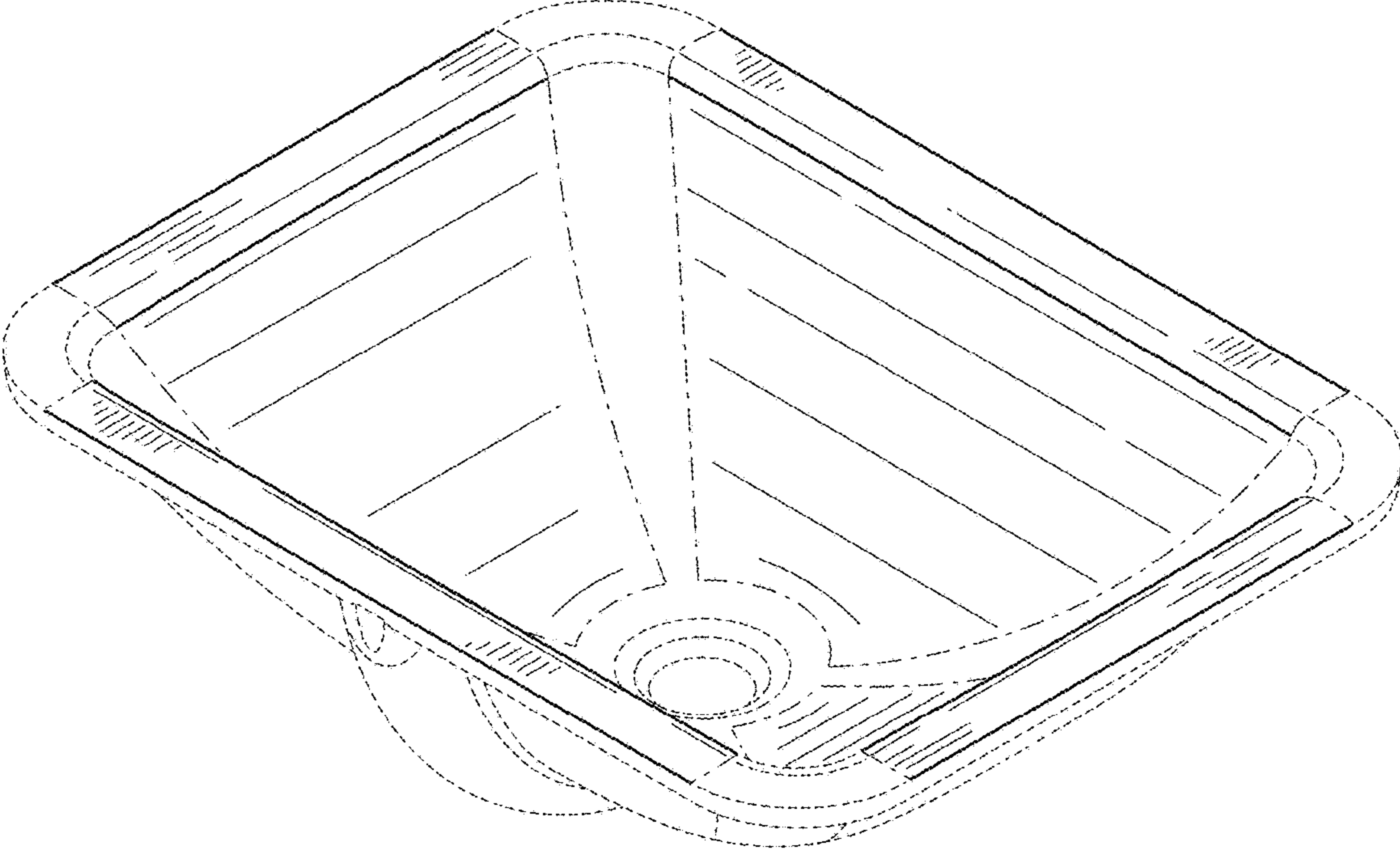


FIG. 1

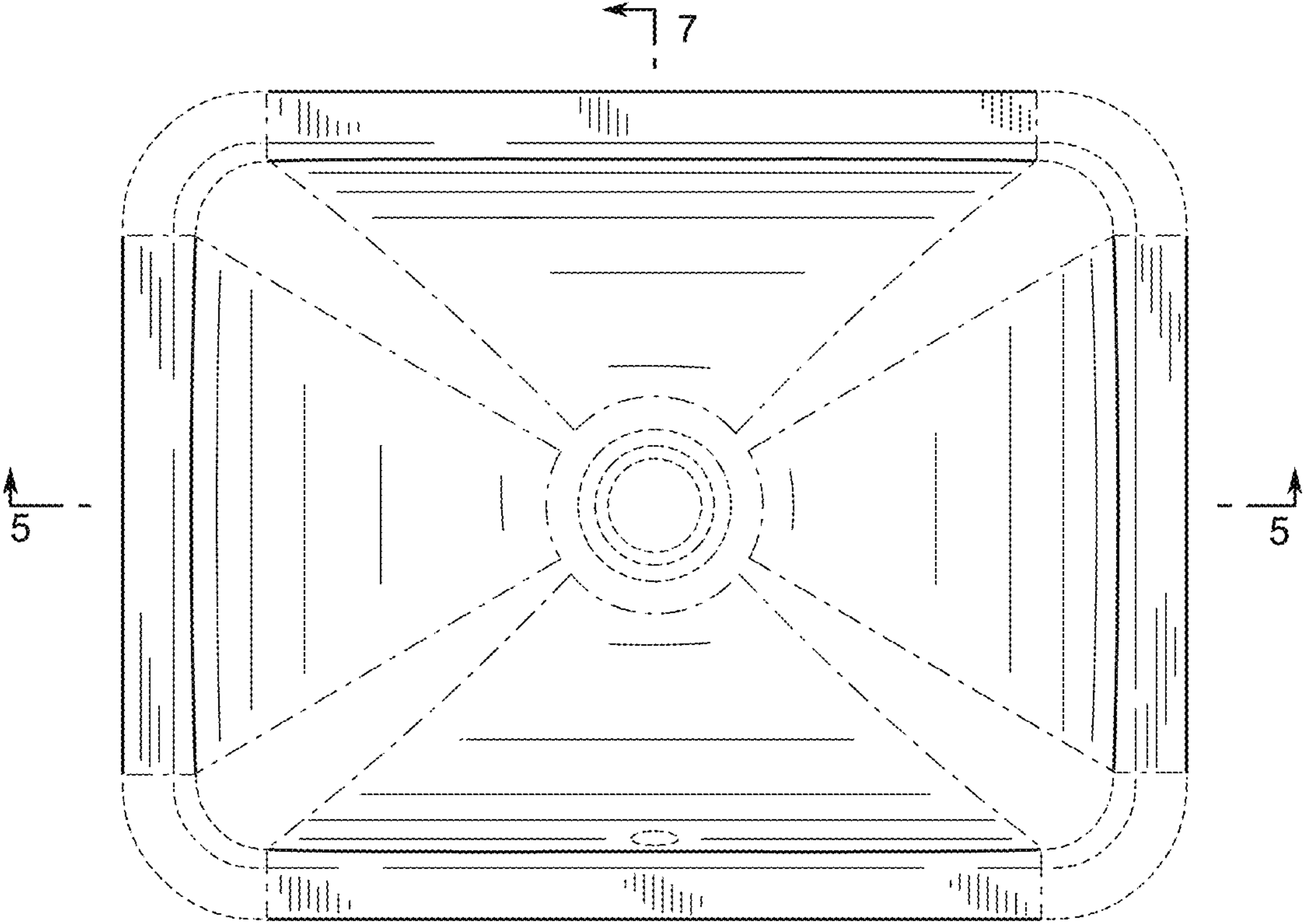


FIG. 2

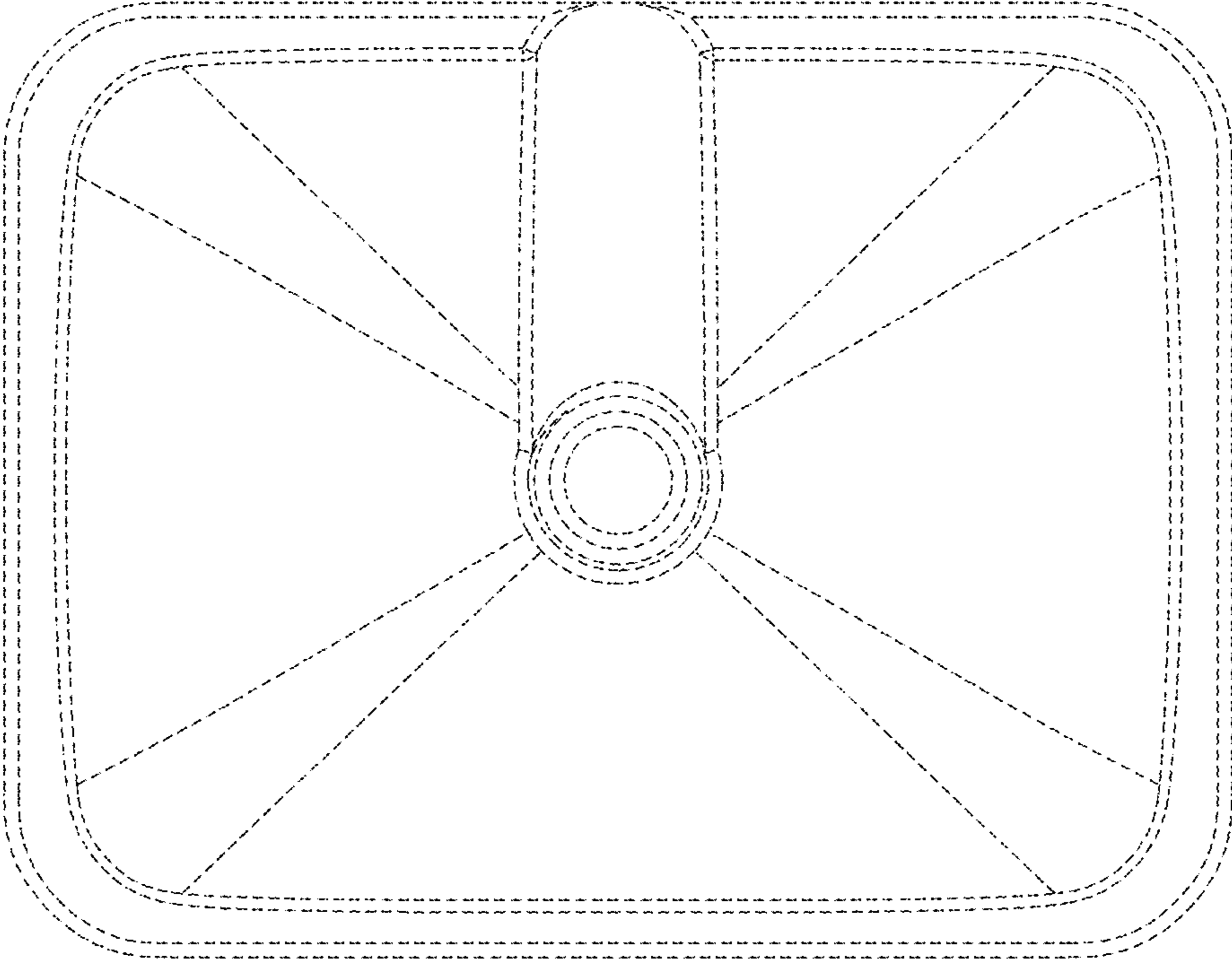


FIG. 3

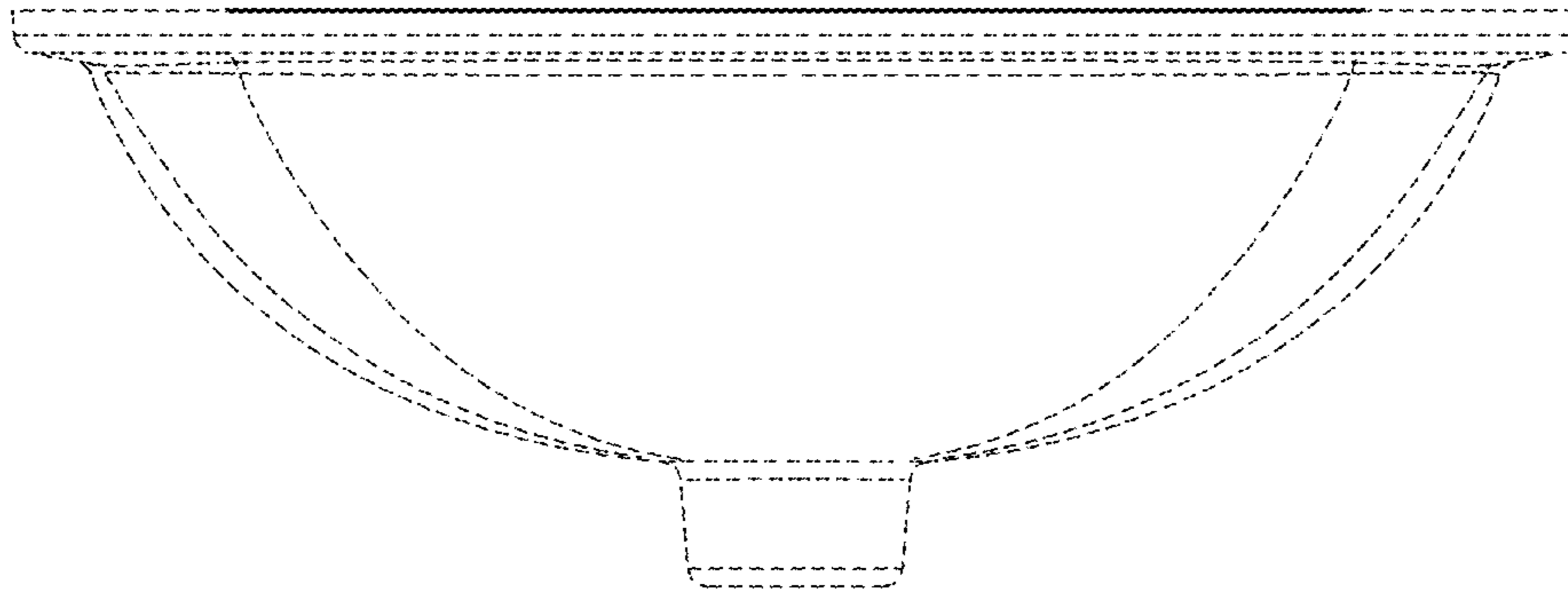


FIG. 4

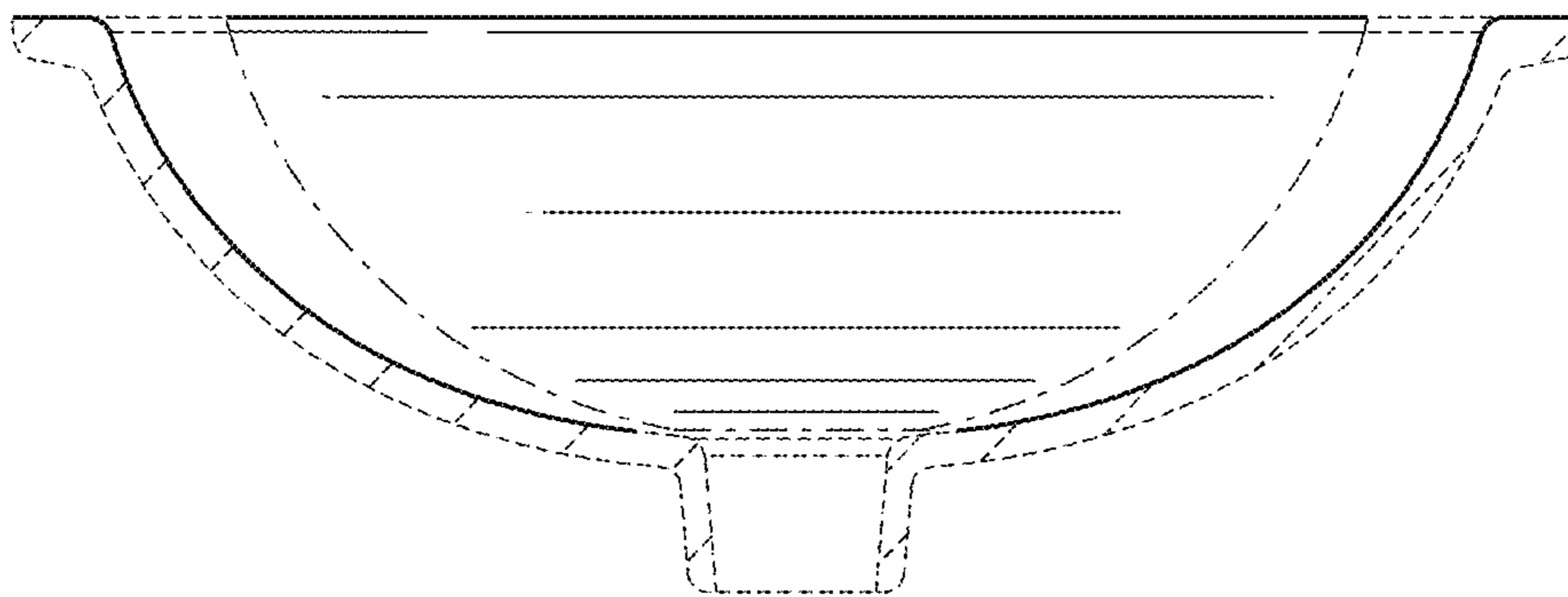


FIG. 5

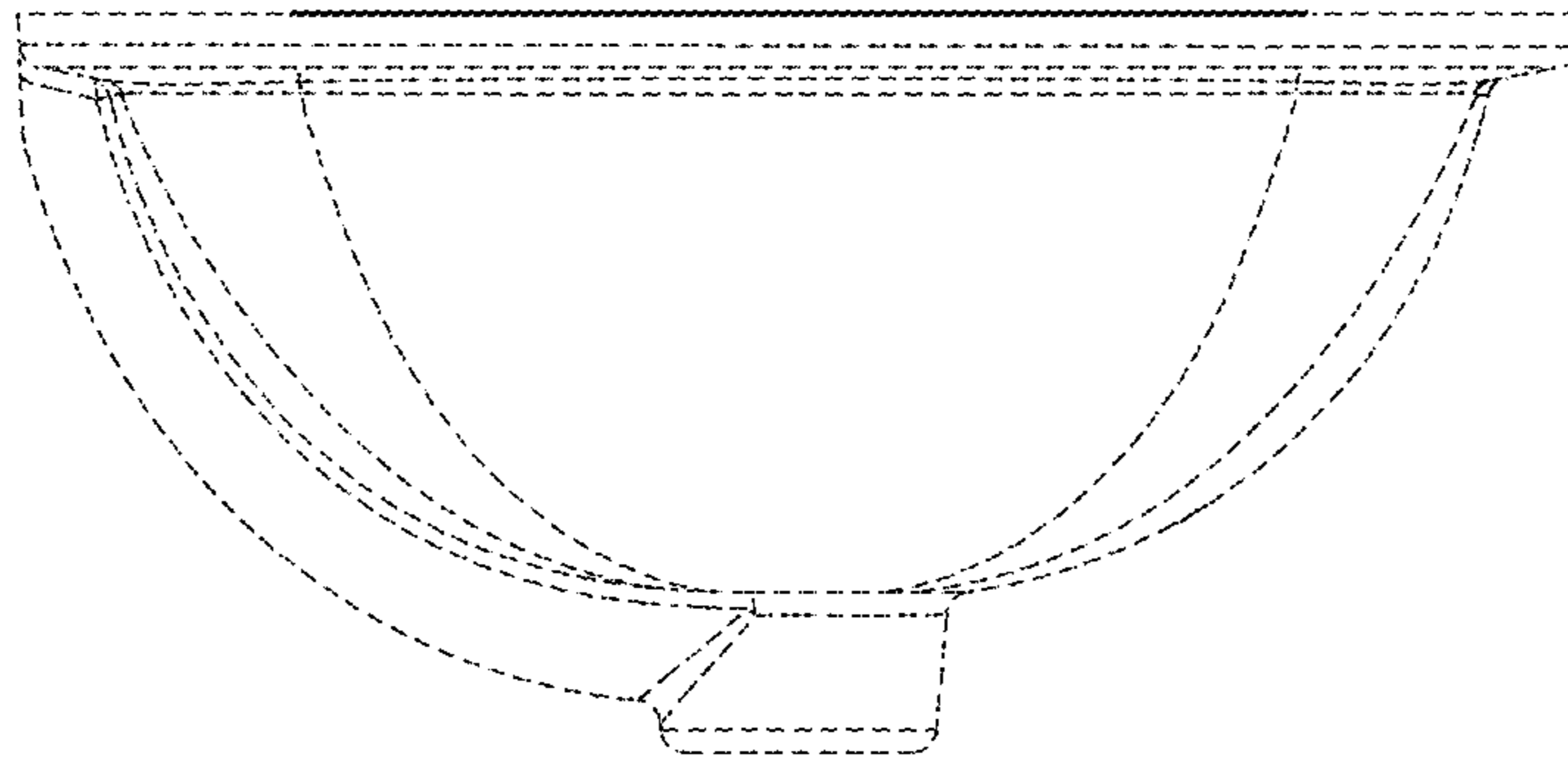


FIG. 6

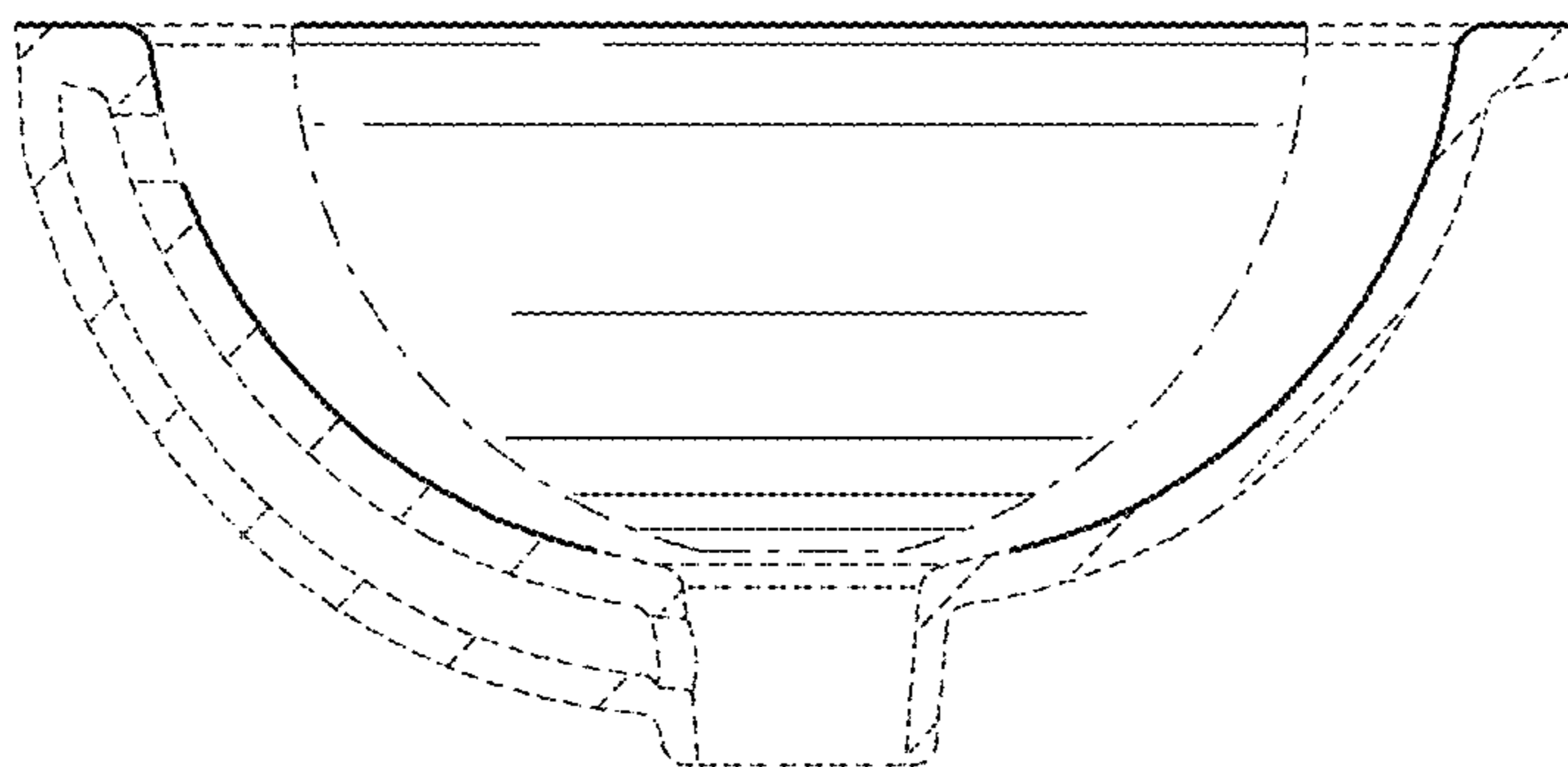


FIG. 7