



US00D861142S

(12) **United States Design Patent**
Lim

(10) **Patent No.:** **US D861,142 S**

(45) **Date of Patent:** **** Sep. 24, 2019**

- (54) **HEIGHT-ADJUSTABLE TOILET SAFETY FRAME**
 - (71) Applicant: **Chiat Koo Lim**, Sugar Land, TX (US)
 - (72) Inventor: **Chiat Koo Lim**, Sugar Land, TX (US)
 - (**) Term: **15 Years**
 - (21) Appl. No.: **29/655,179**
 - (22) Filed: **Jun. 29, 2018**
 - (51) **LOC (12) Cl.** **23-02**
 - (52) **U.S. Cl.**
USPC **D23/299**
 - (58) **Field of Classification Search**
USPC D23/295-301, 303, 309, 311-313
CPC A47K 11/02; A47K 11/026; A47K 11/00;
A47K 13/00; E03D 11/18; E03D 5/10;
E03D 13/00
- See application file for complete search history.

- 4,715,069 A 12/1987 James
 - 5,329,645 A 7/1994 Fossum et al.
 - 5,509,432 A 4/1996 Peterson
 - 5,920,917 A 7/1999 Landsberger
 - 6,199,228 B1 3/2001 Kallweit
- (Continued)

OTHER PUBLICATIONS

Medical Free Standing Toilet with Safety Padded Armrest [May 8, 2019] found online [May 8, 2019]—<https://www.costway.com/medical-free-standing-toilet-safety-padded-armrest.html>.*

(Continued)

Primary Examiner — Brandon M Rosati
Assistant Examiner — John A Voytek
(74) *Attorney, Agent, or Firm* — Quickpatents, LLC;
Kevin Prince

(57) **CLAIM**

I claim the ornamental design for a height-adjustable toilet safety frame, as shown and described.

(56) **References Cited**

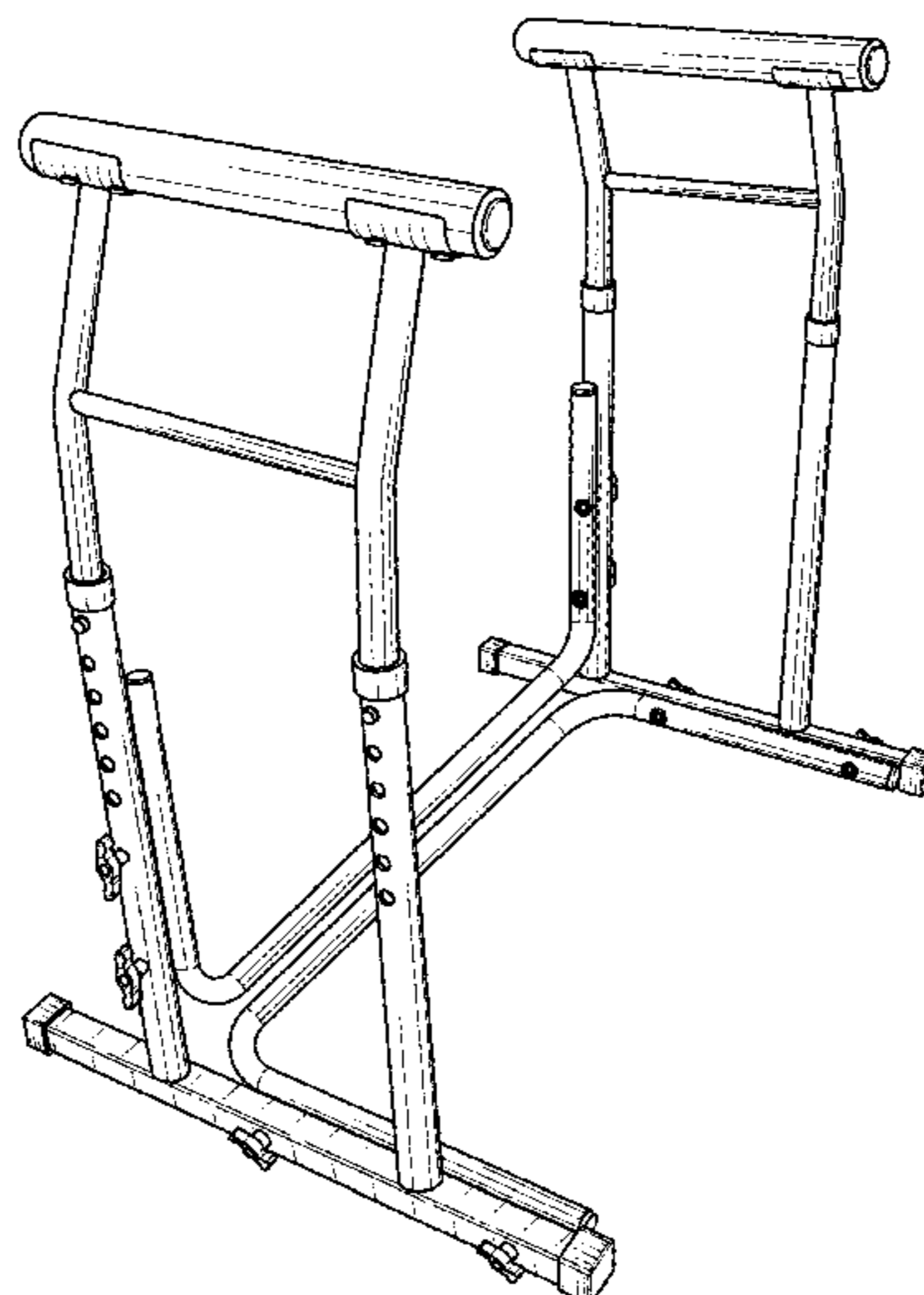
U.S. PATENT DOCUMENTS

- 2,113,882 A 4/1938 Galt
- 2,642,117 A * 6/1953 Glauber A47K 17/02
248/118
- 2,773,542 A 12/1956 Chasin
- 2,774,975 A 12/1956 Frank
- 2,903,714 A 9/1959 Grondona
- 3,011,179 A 12/1961 Hussey
- 3,047,884 A 8/1962 Grondona
- 3,323,144 A 6/1967 Ferris, Jr.
- 3,398,410 A 8/1968 Sparling
- 3,405,411 A 10/1968 Brown
- 3,574,242 A 4/1971 Trowbridge
- 3,619,820 A 11/1971 Cain et al.
- 3,969,778 A 7/1976 Richards
- 4,144,597 A 3/1979 Guenther et al.
- 4,196,480 A 4/1980 Guenther et al.
- D257,879 S * 1/1981 Hicks D23/309
- D265,119 S * 6/1982 Hurley D23/299
- 4,343,052 A 8/1982 Guenther

DESCRIPTION

FIG. 1 is a perspective view of a height-adjustable toilet safety frame, showing our new design in a raised configuration;
FIG. 2 is a front elevational view of FIG. 1;
FIG. 3 is a rear elevational view of FIG. 1;
FIG. 4 is a left-side elevational view of FIG. 1, the right-side elevational view being a mirror image thereof;
FIG. 5 is a top plan view of FIG. 1;
FIG. 6 is a bottom plan view of FIG. 1;
FIG. 7 is a perspective view thereof, illustrated in a lowered configuration;
FIG. 8 is a rear elevational view of FIG. 7; and,
FIG. 9 is a left-side elevational view of FIG. 7, the right-side elevational view being a mirror image thereof.

1 Claim, 9 Drawing Sheets



(56)

References Cited

U.S. PATENT DOCUMENTS

6,286,154 B1 * 9/2001 Pitts A47K 11/04
4/254
6,349,423 B1 2/2002 Kelleher
6,418,567 B1 7/2002 Brinkman
D800,877 S * 10/2017 Uche D23/299
2005/0066430 A1 3/2005 Bly
2009/0090071 A1 * 4/2009 Hall A47K 17/026
52/173.1
2009/0307832 A1 12/2009 Pereira Del ARroyo
2011/0067739 A1 * 3/2011 Ma A47C 4/02
135/66
2011/0219529 A1 * 9/2011 Diamond A47K 11/04
4/449
2016/0296398 A1 10/2016 Wiewiura
2018/0255985 A1 * 9/2018 Critz A47K 11/02

OTHER PUBLICATIONS

“Vaunn Medical Bathroom Toilet Safety Rail and Commode Grab Bar Handle” as sold by BeyondMedShip.com, downloaded from the Internet on Jun. 29, 2018 from <https://www.beyondmedshop.com/products/vaunn-medical-stand-alone-toilet-safety-rail-white>.

* cited by examiner

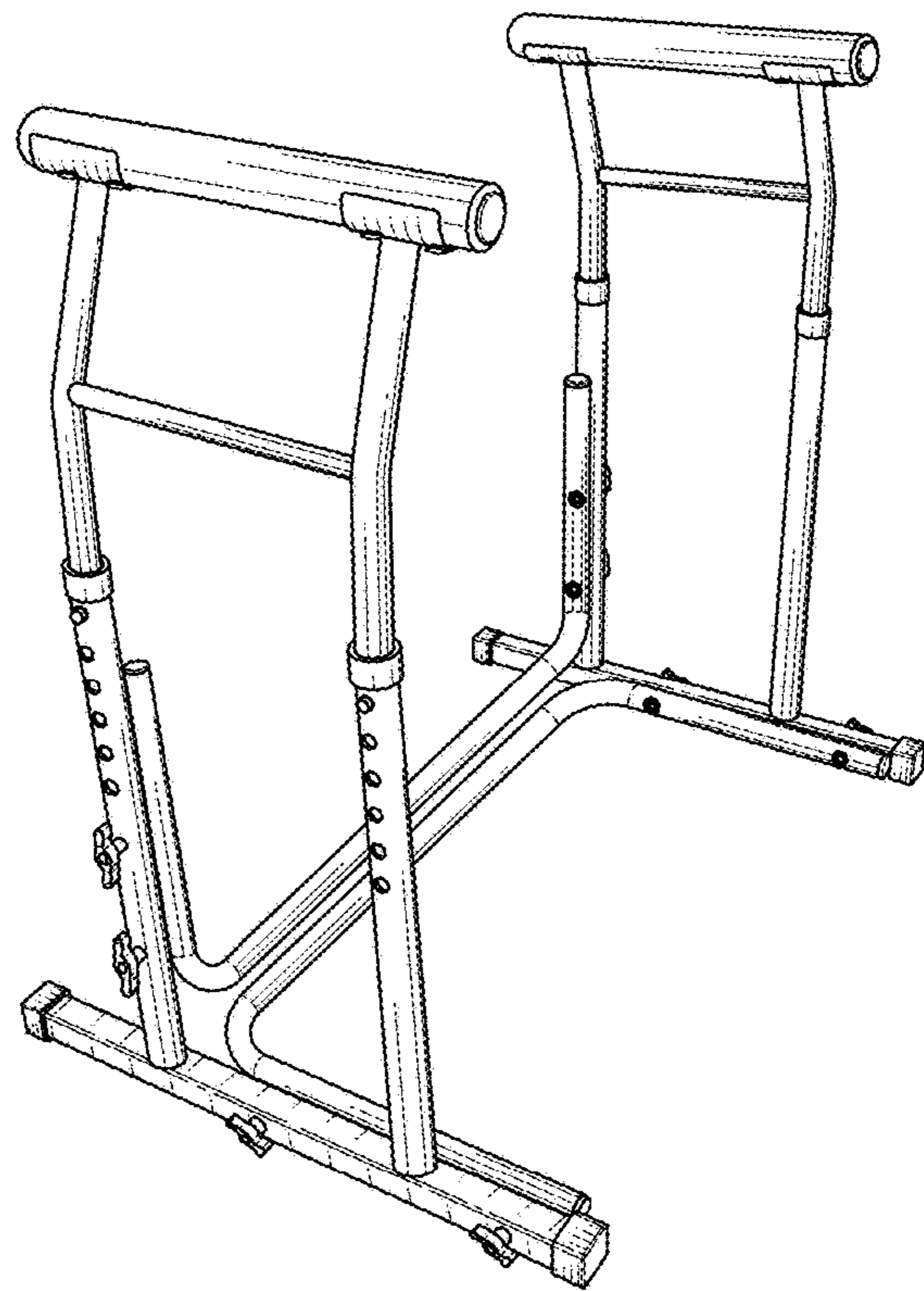


FIG. 1

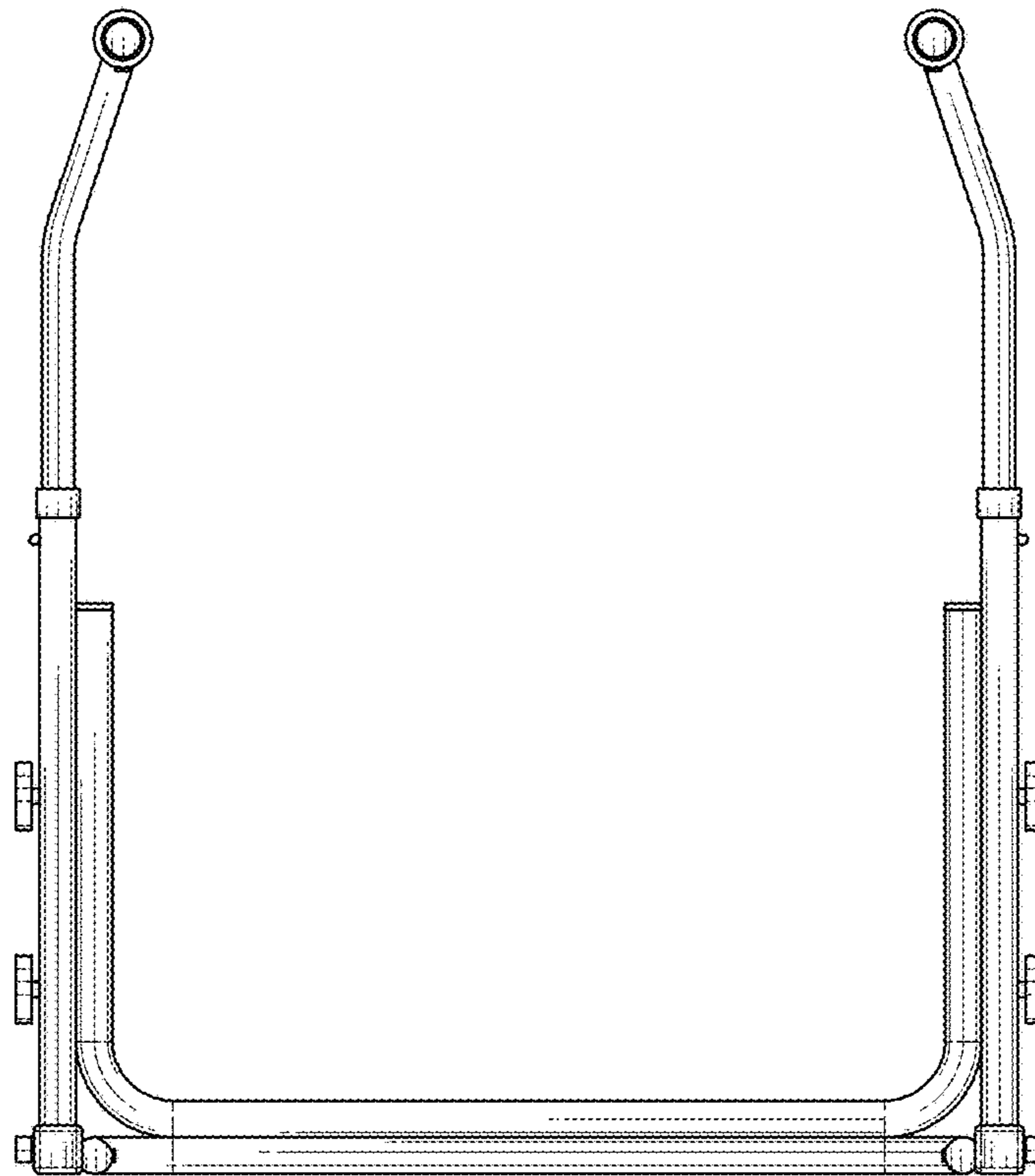


FIG. 2

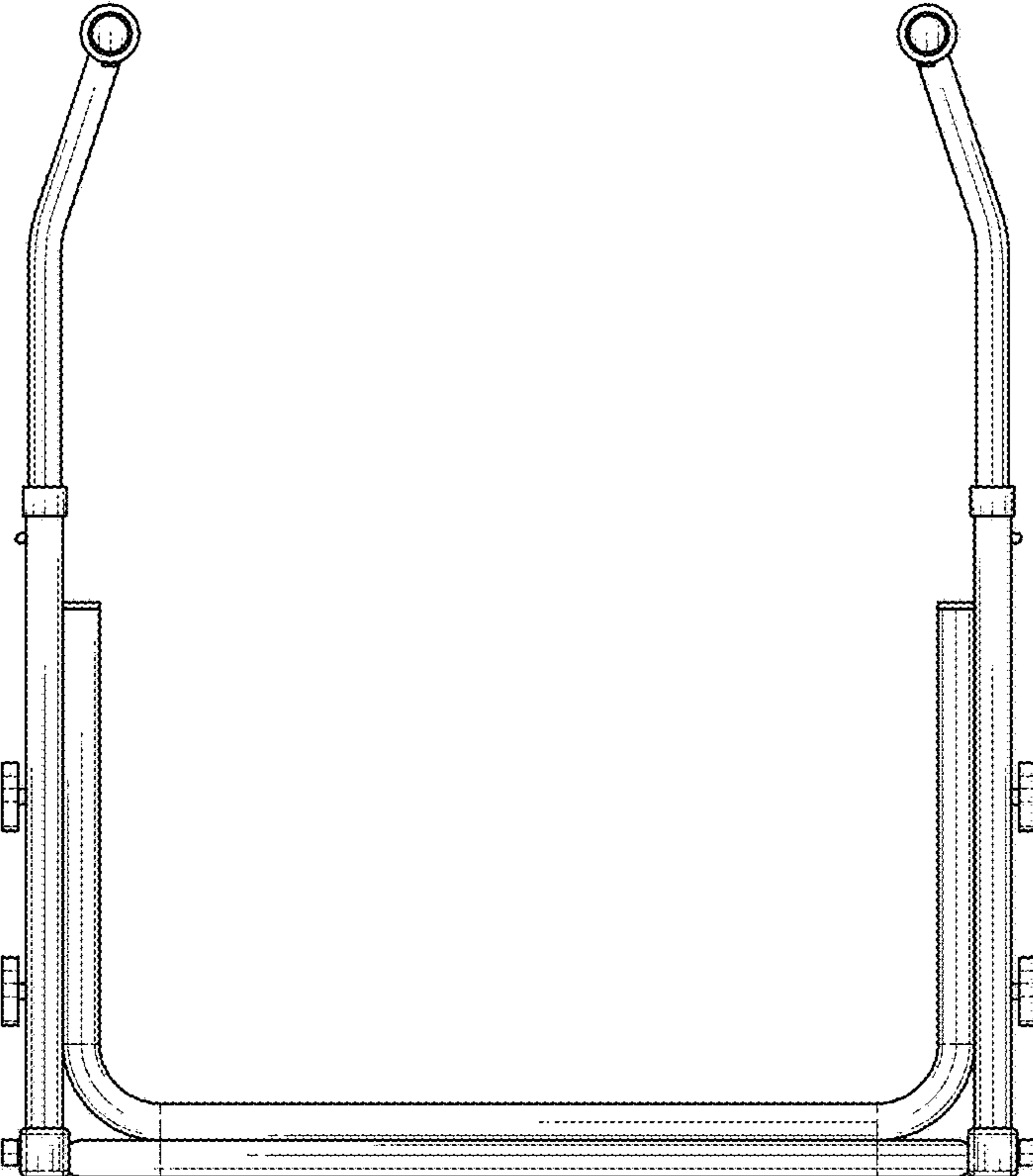


FIG. 3

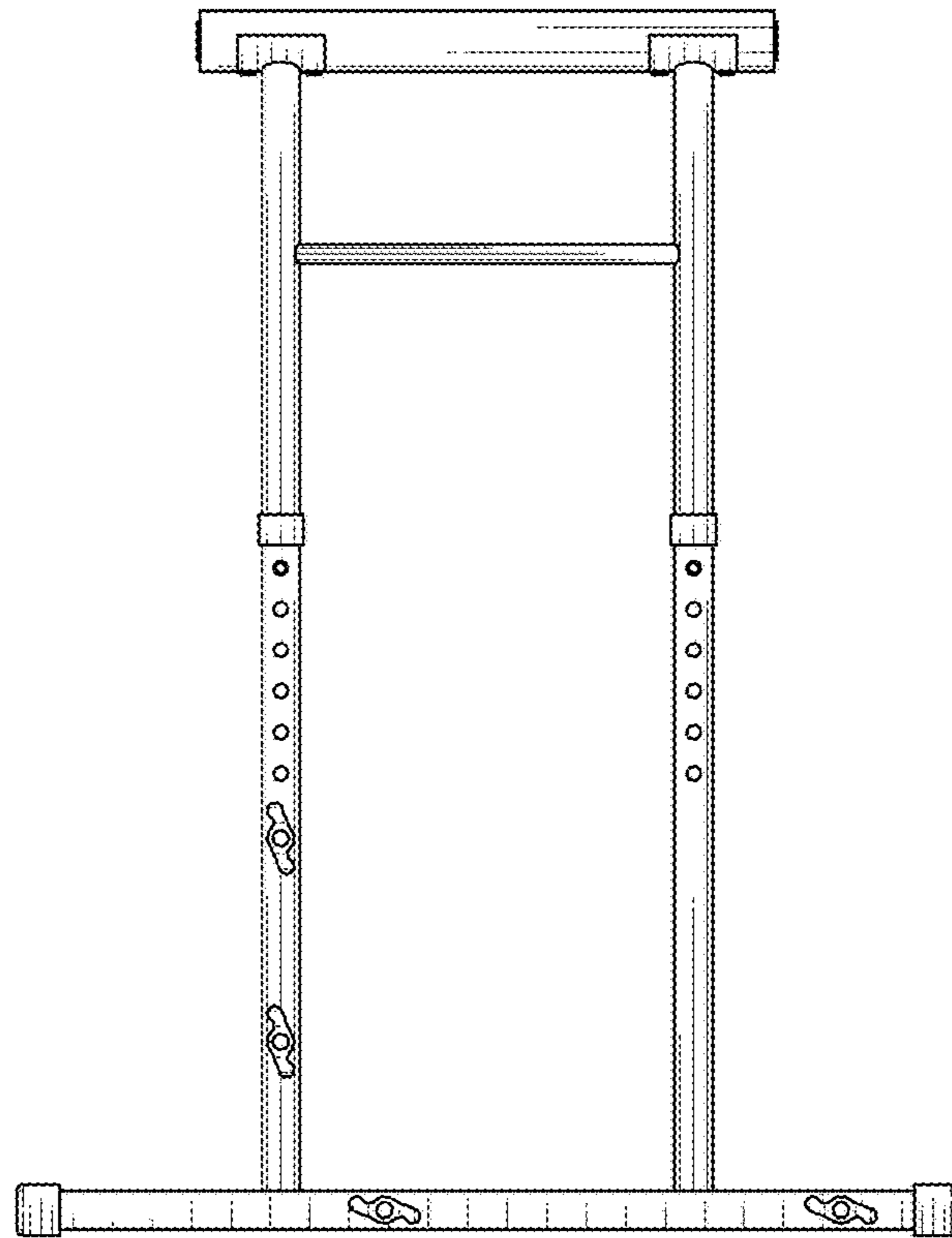


FIG. 4

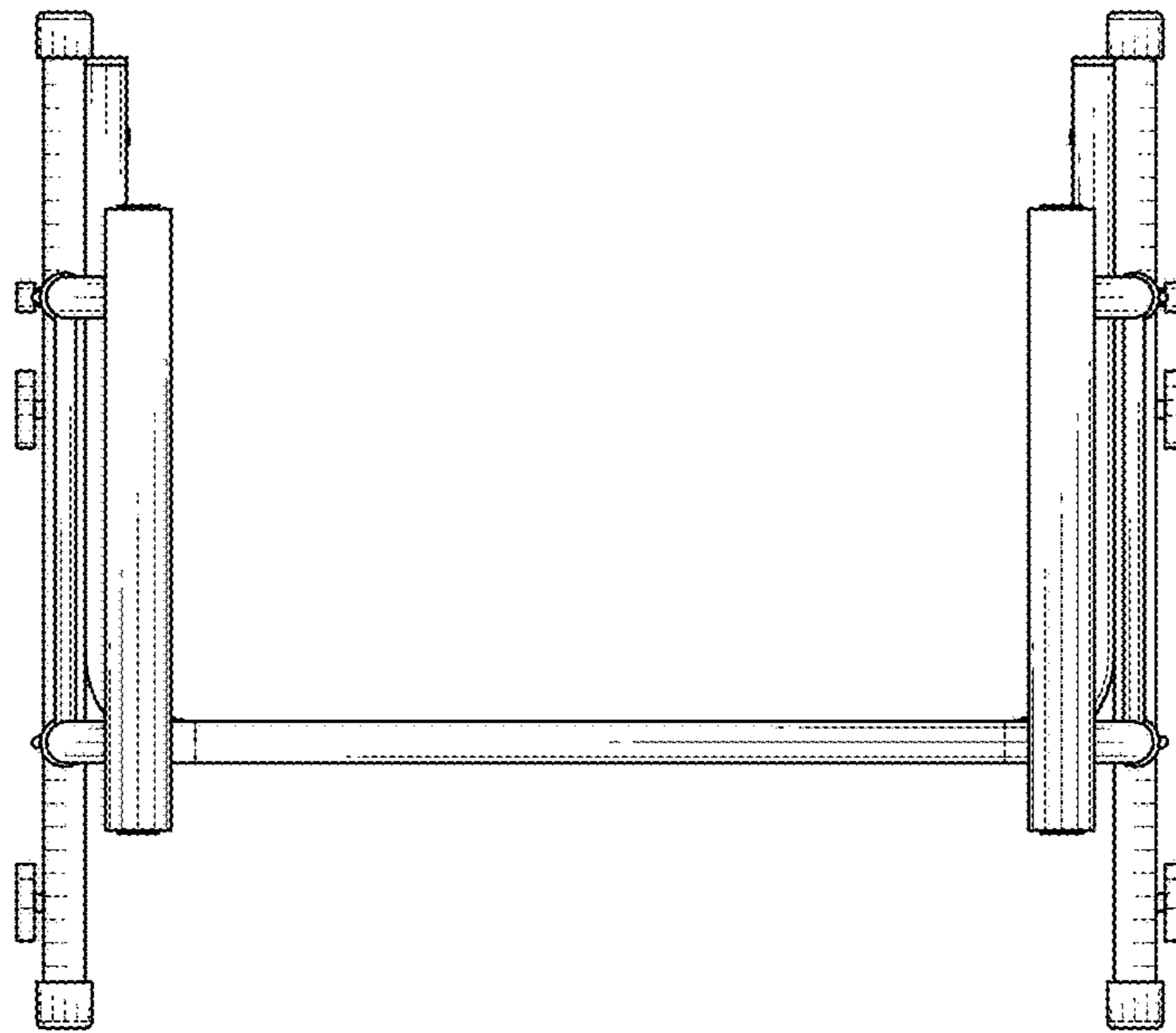


FIG. 5

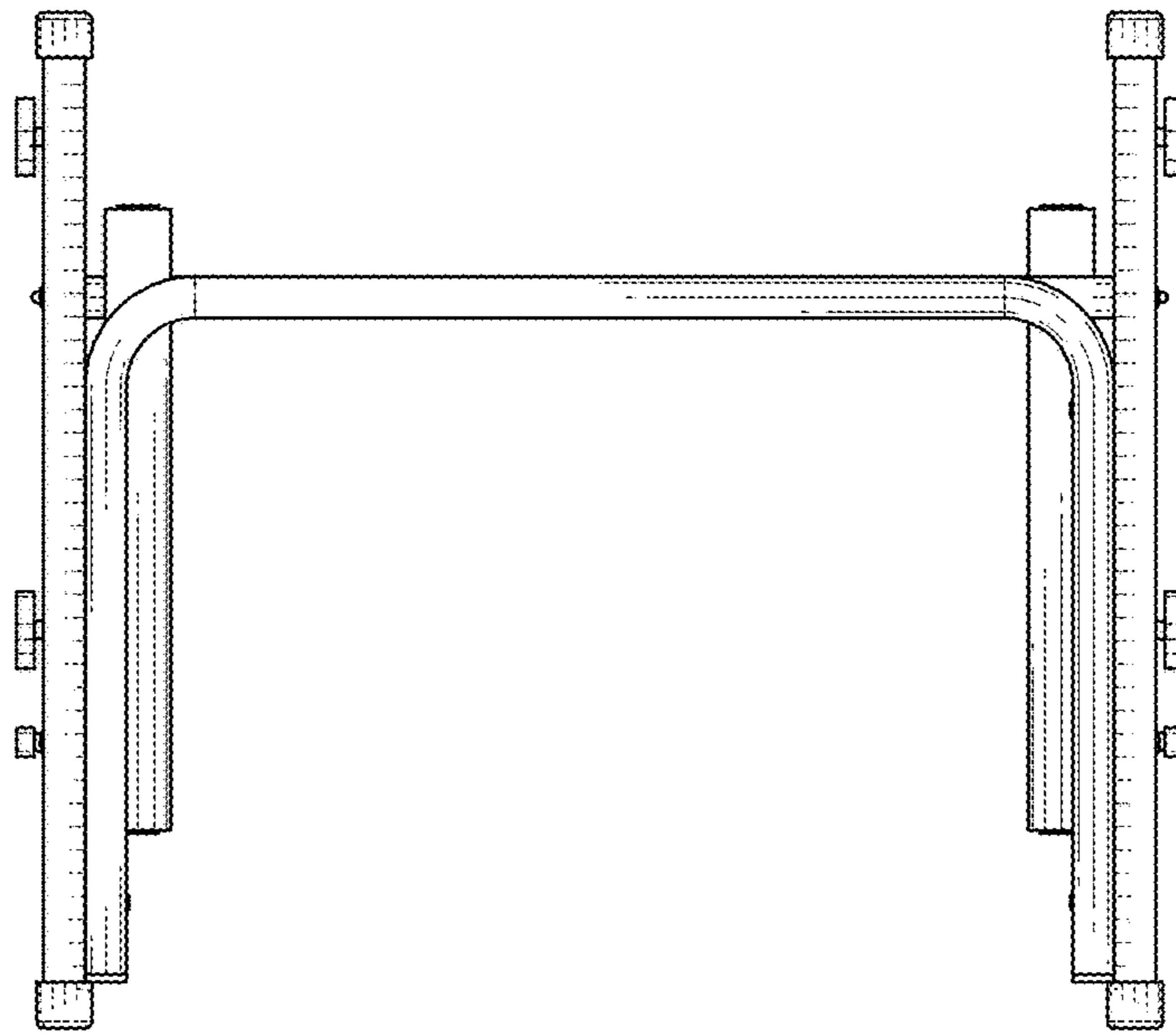


FIG. 6

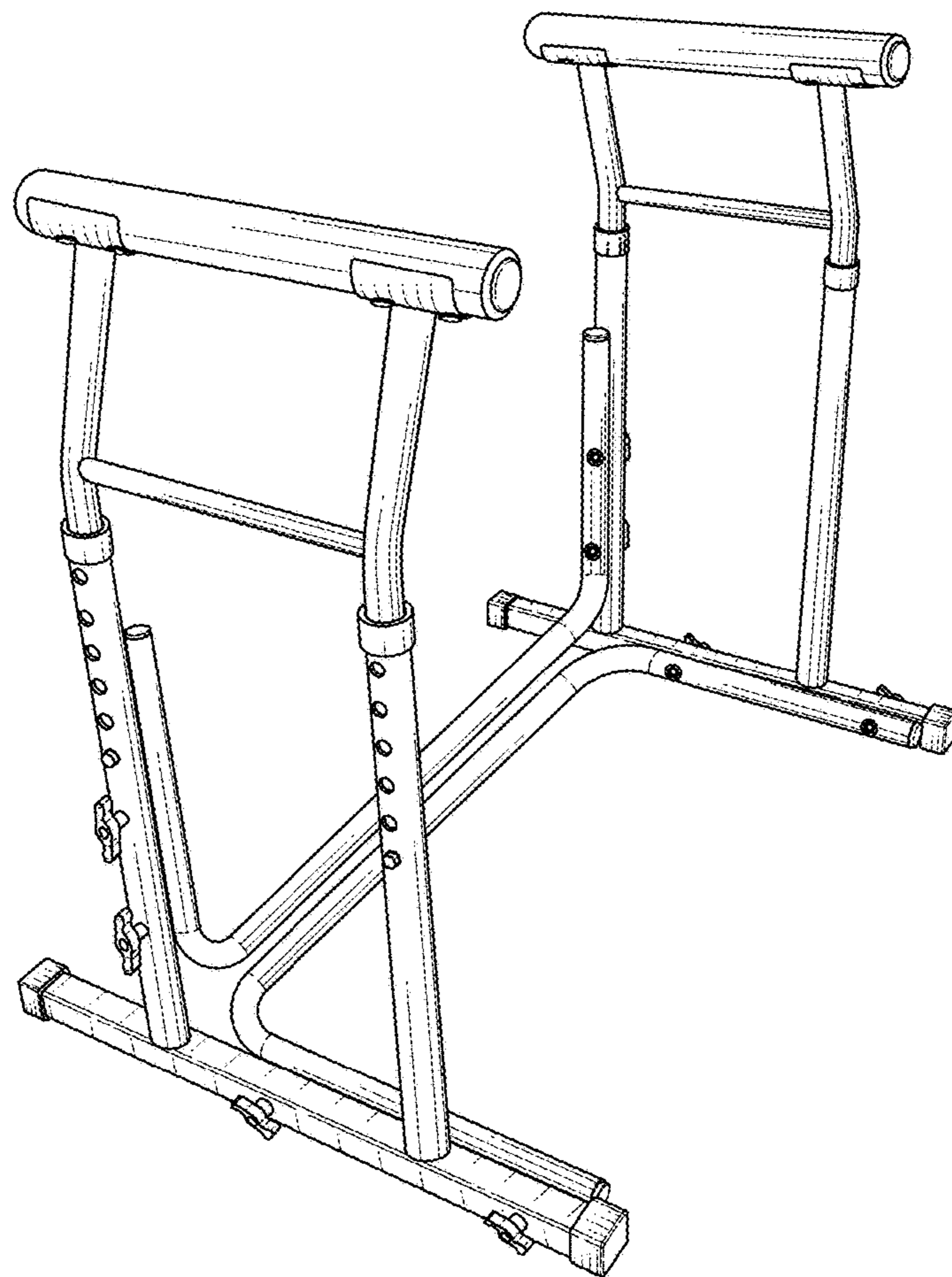


FIG. 7

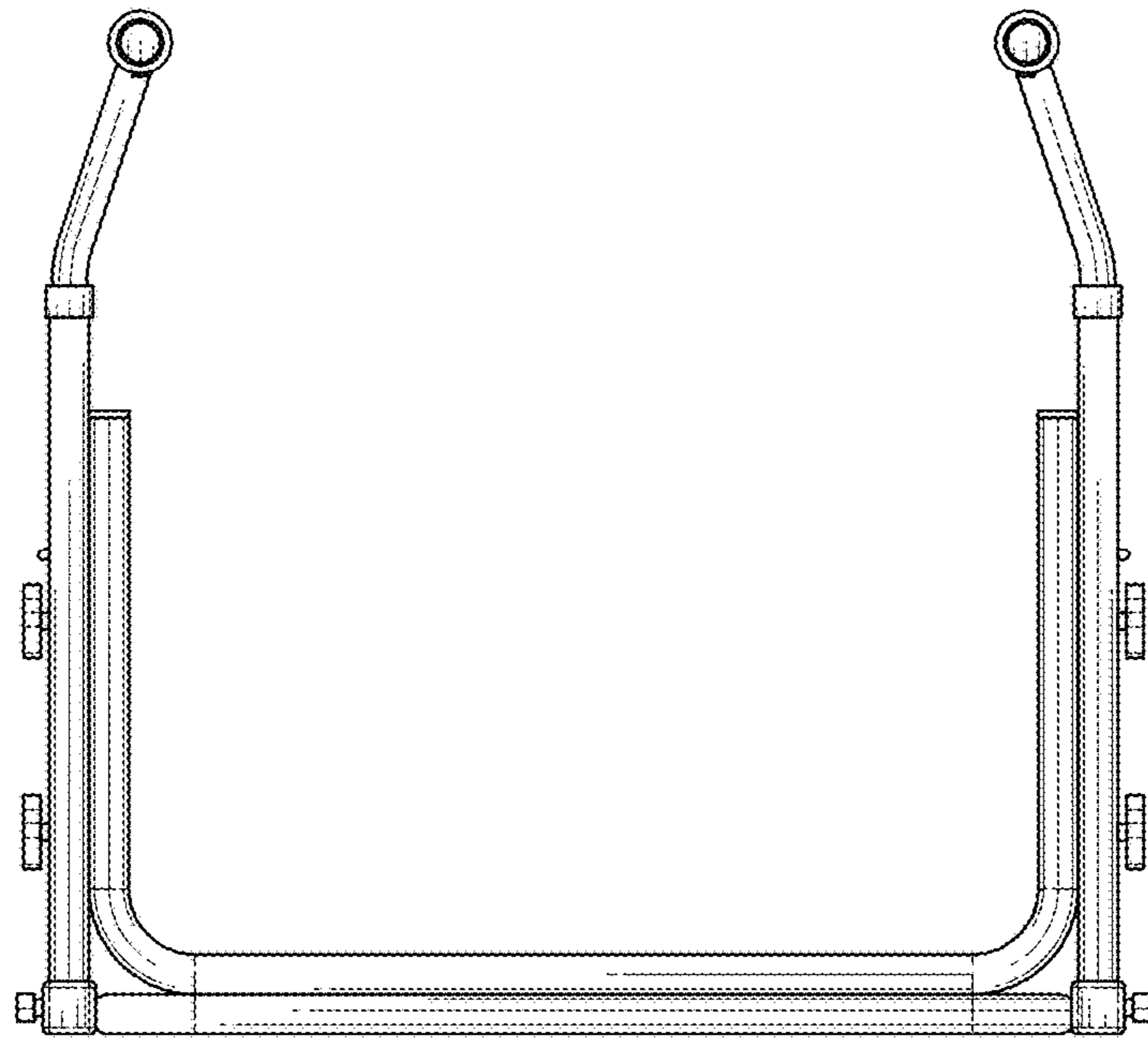


FIG. 8

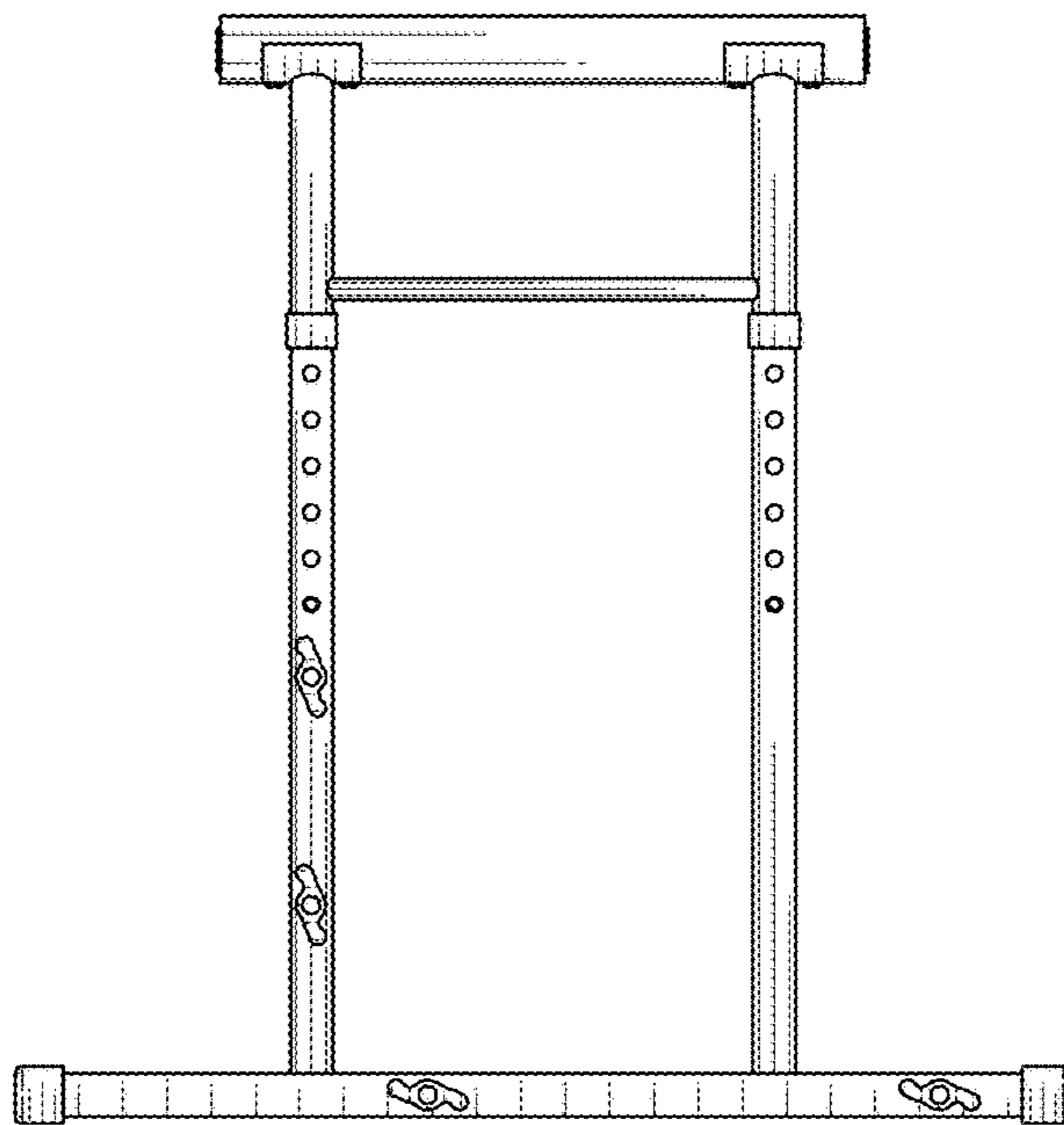


FIG. 9