



US00D861140S

(12) **United States Design Patent**  
**Mattozzi**

(10) **Patent No.:** **US D861,140 S**

(45) **Date of Patent:** **\*\* Sep. 24, 2019**

- (54) **FAUCET EXTENSION ADAPTER**
- (71) Applicant: **Mark G. Mattozzi**, Weston, FL (US)
- (72) Inventor: **Mark G. Mattozzi**, Weston, FL (US)
- (\*\*) Term: **15 Years**
- (21) Appl. No.: **29/597,186**
- (22) Filed: **Mar. 15, 2017**
- (51) **LOC (12) Cl.** ..... **23-01**
- (52) **U.S. Cl.**  
USPC ..... **D23/259**
- (58) **Field of Classification Search**  
USPC ..... D23/238, 243, 249, 255, 257, 259, 262,  
D23/264-266; 285/8, 145.1, 298, 302  
CPC ..... F16L 15/06; F16L 15/006; F16L 15/007;  
F16L 15/02  
See application file for complete search history.

6,050,500	A *	4/2000	Ensworth	.....	B05B 15/656 239/203
6,345,397	B1	2/2002	Haubrich		
D483,097	S *	12/2003	Napoli	.....	D23/249
7,137,223	B1	11/2006	Purcell		
7,549,448	B2	6/2009	Ragner		
D615,166	S *	5/2010	Patti	.....	D23/266
D707,334	S *	6/2014	Hernandez	.....	D23/266
D716,419	S *	10/2014	Hernandez	.....	D23/259
D777,885	S *	1/2017	Zhang	.....	D23/259
2005/0099008	A1 *	5/2005	Glover	.....	F16L 15/006 285/357

\* cited by examiner

*Primary Examiner* — Eric L Goodman

*Assistant Examiner* — Amy C Wierenga

(74) *Attorney, Agent, or Firm* — Cramer Patent & Design, PLLC; Aaron R. Cramer

(57) **CLAIM**

The ornamental design for a faucet extension adapter, as shown and described.

**DESCRIPTION**

FIG. 1 is a perspective front left view of a faucet extension adapter in a closed configuration, showing my new design; FIG. 2 is a perspective front left view of a faucet extension adapter in an open configuration; FIG. 3 is a front elevation view thereof; FIG. 4 is a rear elevation view thereof; FIG. 5 is a left elevation view thereof; FIG. 6 is a right elevation view thereof; FIG. 7 is a bottom plan view thereof; and, FIG. 8 is a top plan view thereof.

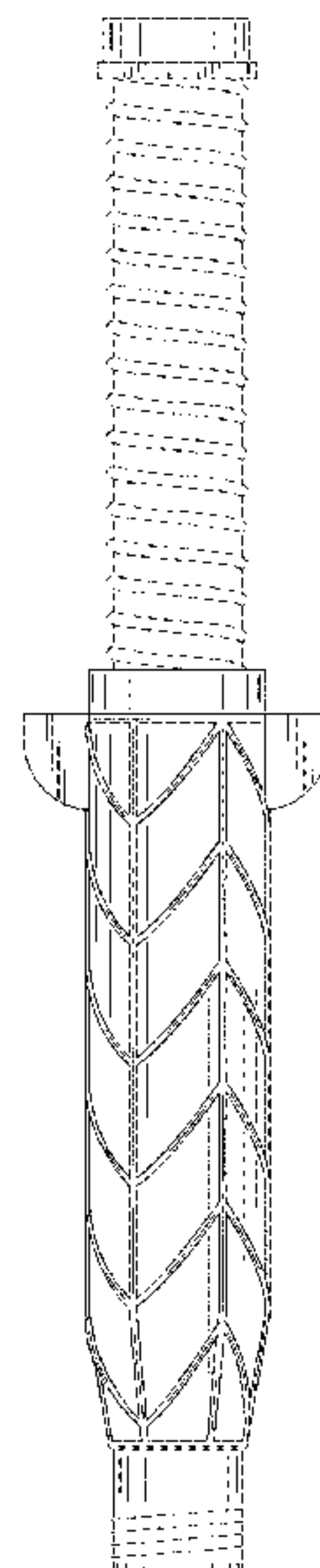
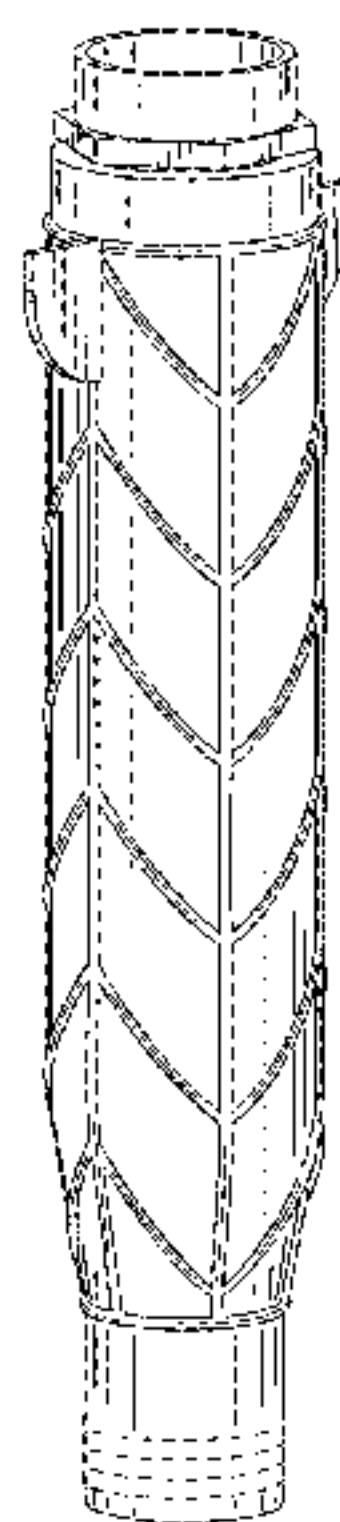
The broken lines in drawings 1 through 6 represent threaded portions of a faucet extension adapter that form no part of the claim while the broken lines in drawings 7 and 8 represent disclaimed regions that form no part of the claim.

**1 Claim, 7 Drawing Sheets**

(56) **References Cited**

**U.S. PATENT DOCUMENTS**

1,366,795	A	1/1921	Hajian		
2,171,023	A	8/1939	Buxton		
2,448,232	A *	8/1948	Muse	.....	F16L 15/02 285/11
2,494,774	A *	1/1950	Messick	.....	F16L 37/16 285/308
3,638,968	A *	2/1972	Barks	.....	E03C 1/086 285/328
D243,488	S *	3/1977	Linse	.....	D23/239
4,030,778	A *	6/1977	Kaut, Jr.	.....	F16L 31/00 285/148.16
4,266,320	A *	5/1981	Grant	.....	E03B 9/02 16/427
4,687,232	A *	8/1987	Zimmerman	.....	F16L 27/12 285/302
5,002,318	A *	3/1991	Witter	.....	F16L 27/12 169/37



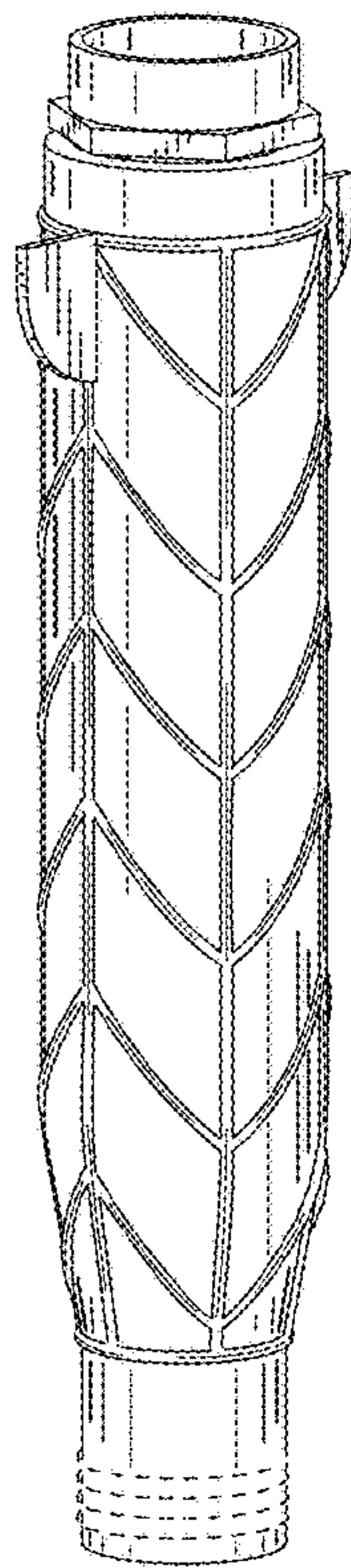


FIG. 1

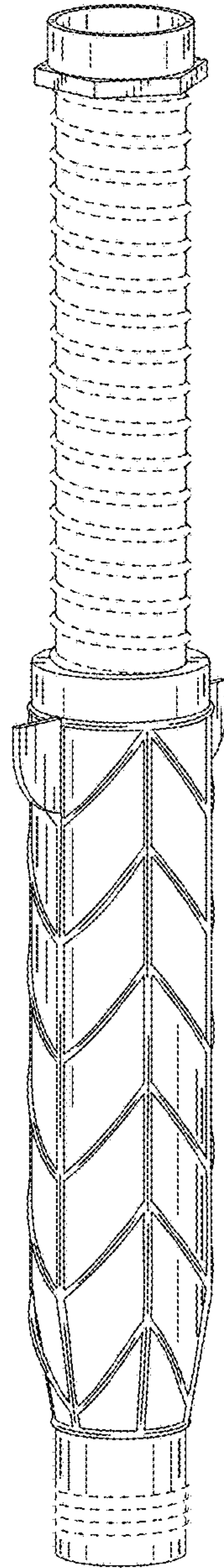


FIG. 2

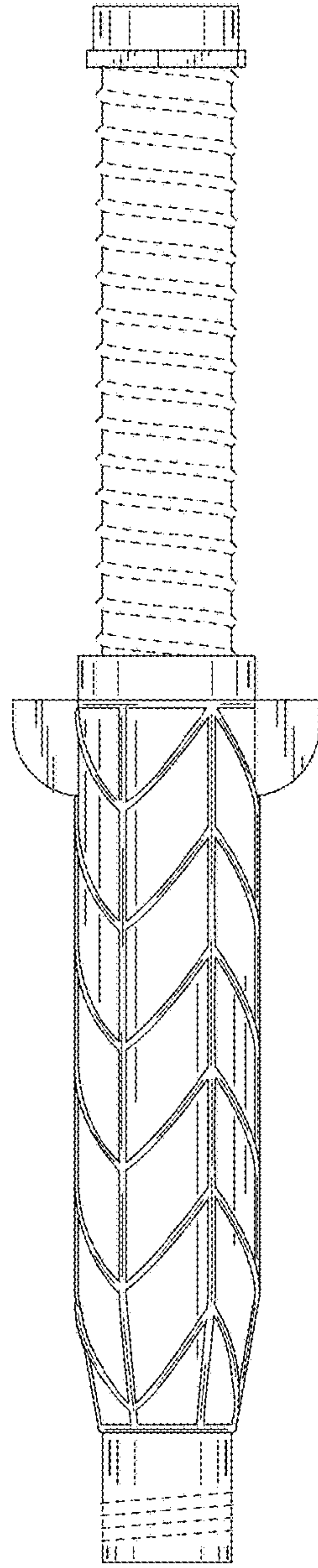


FIG. 3

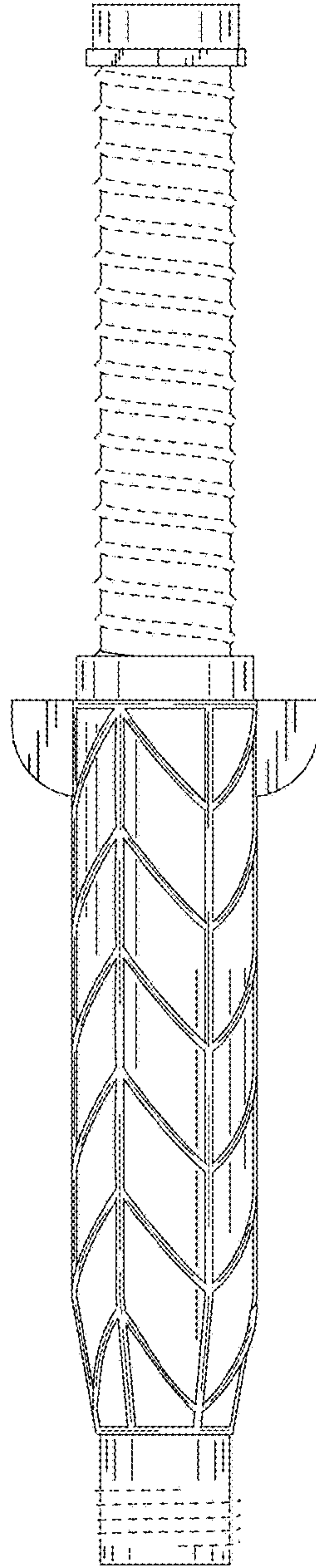


FIG. 4

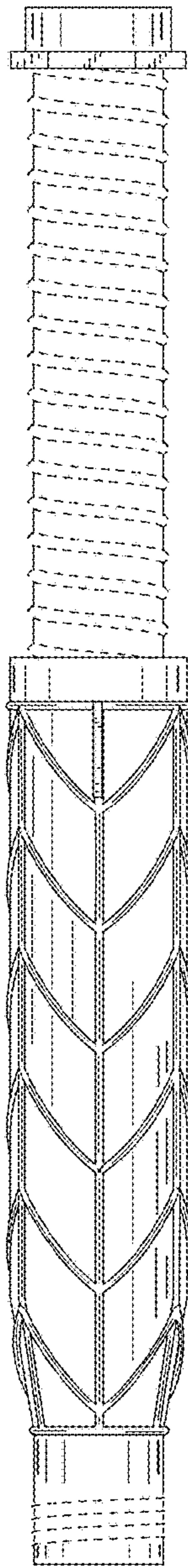


FIG. 5



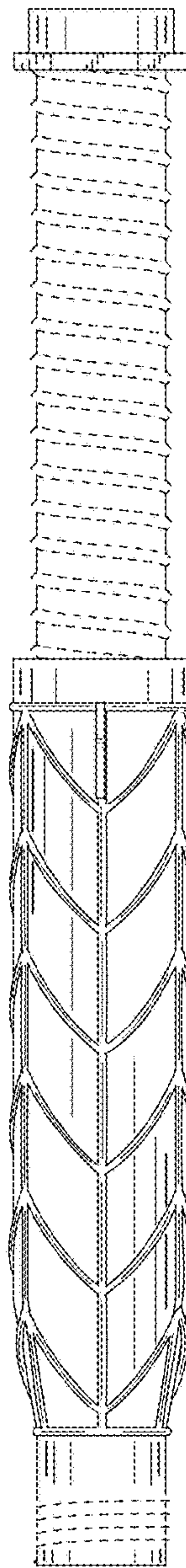


FIG. 6

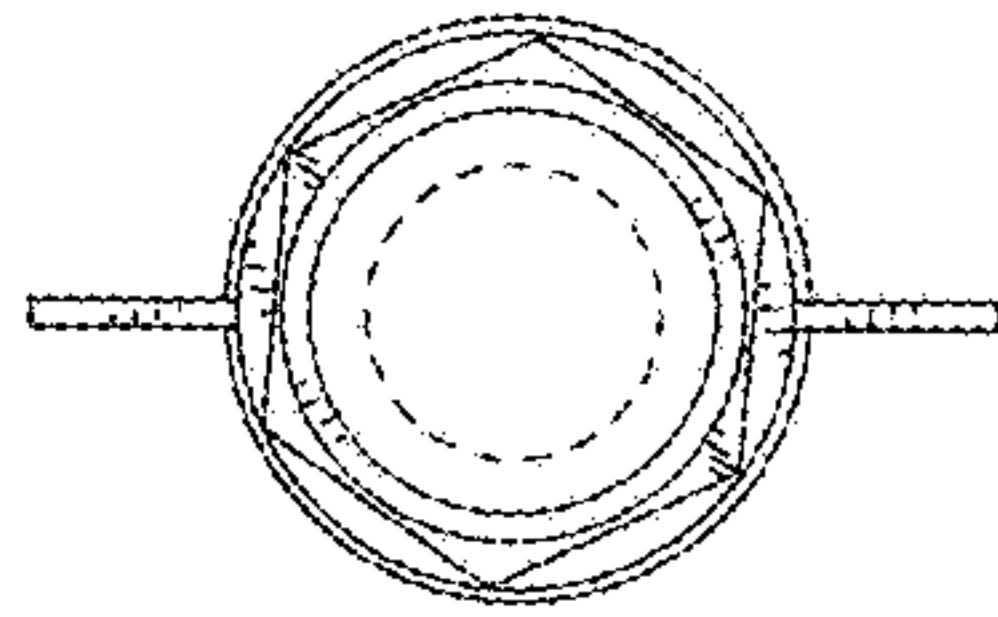


FIG. 7

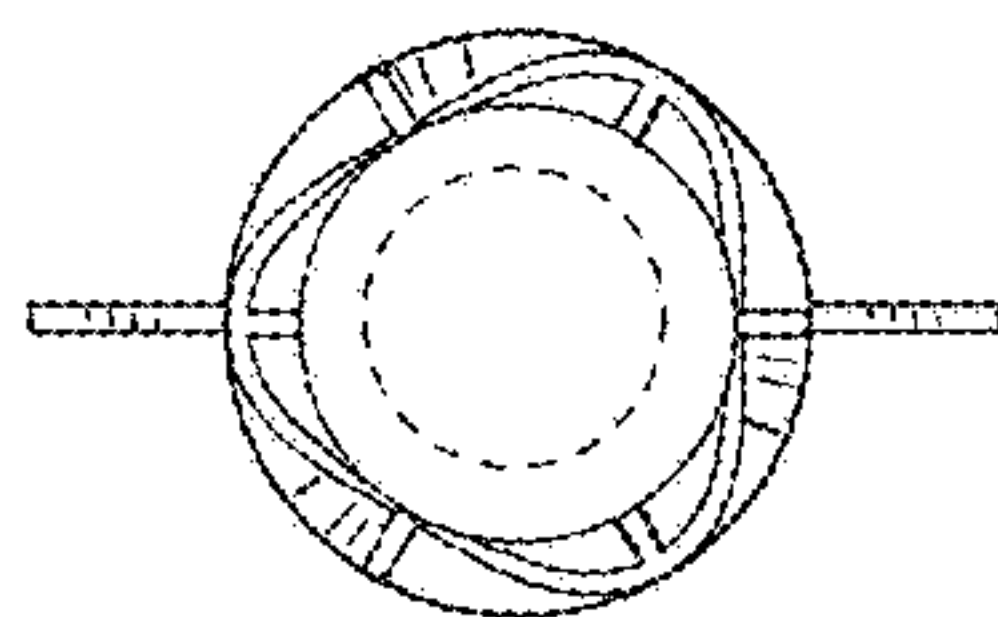


FIG. 8