



US00D861139S

(12) **United States Design Patent**
Zhang

(10) **Patent No.:** **US D861,139 S**

(45) **Date of Patent:** **** Sep. 24, 2019**

(54) **SPOUT**

(71) Applicant: **Peijian Zhang**, Wenzhou (CN)

(72) Inventor: **Peijian Zhang**, Wenzhou (CN)

(**) Term: **15 Years**

(21) Appl. No.: **29/649,725**

(22) Filed: **Jun. 1, 2018**

(51) **LOC (12) Cl.** **23-01**

(52) **U.S. Cl.**
USPC **D23/255**

(58) **Field of Classification Search**
USPC D23/238–243, 249, 255, 257
See application file for complete search history.

(56) **References Cited**

U.S. PATENT DOCUMENTS

D271,513 S * 11/1983 Paul D23/238
D290,159 S * 6/1987 Jans D23/242

D319,685 S * 9/1991 Kohler, Jr. D23/255
D515,663 S * 2/2006 Lin D23/238
D543,415 S * 5/2007 Duranti D23/328

* cited by examiner

Primary Examiner — Robert A Delehanty

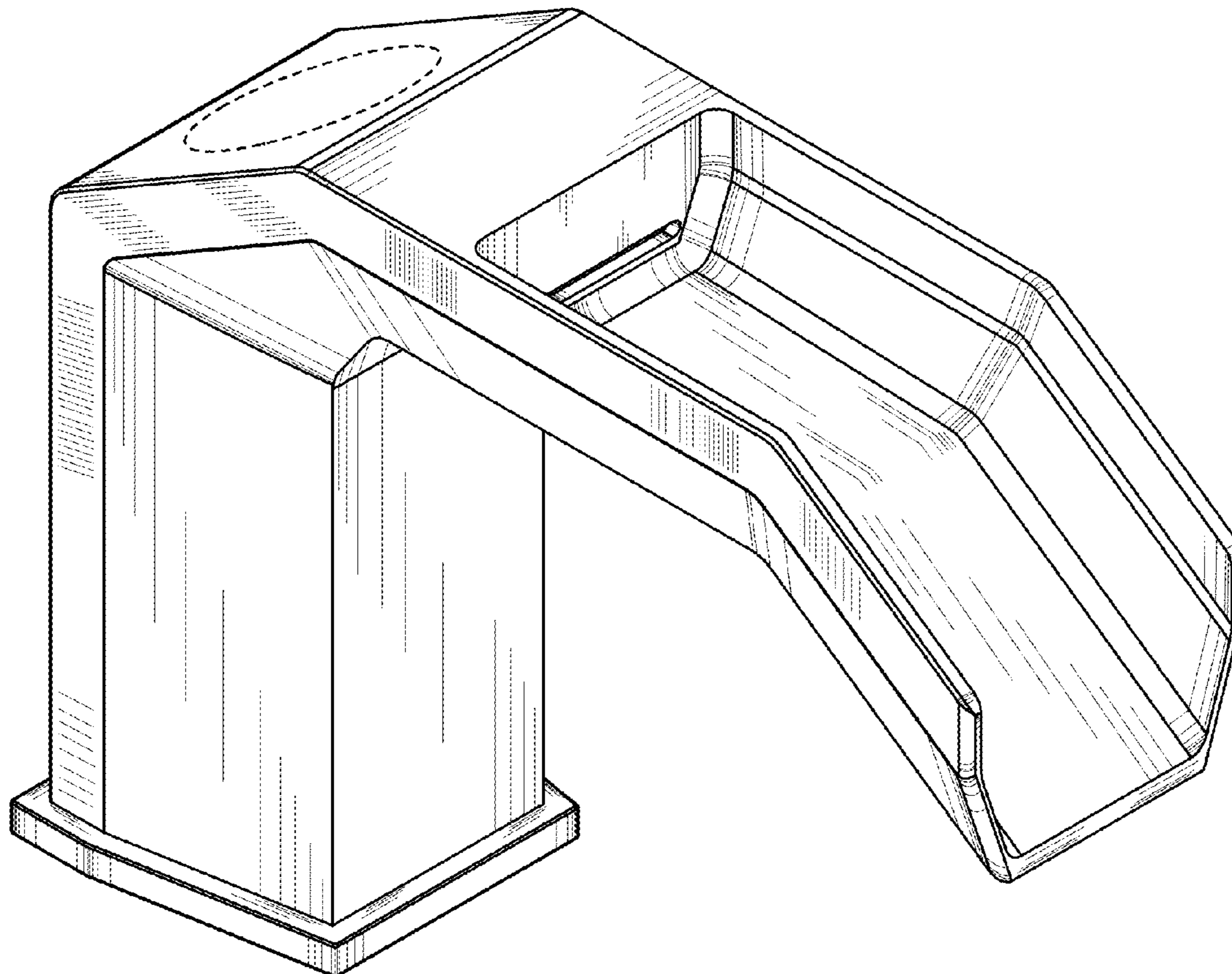
(57) **CLAIM**

The ornamental design for a spout, as shown and described.

DESCRIPTION

FIG. 1 is a front perspective view of a spout showing my new design;
FIG. 2 is another perspective view thereof;
FIG. 3 is a left side elevational view thereof;
FIG. 4 is a right side elevational view thereof;
FIG. 5 is a top plan view thereof;
FIG. 6 is a bottom plan view thereof; and,
FIG. 7 is a rear elevational view thereof.
The broken lines shown in the drawings represent a portion of the spout and form no part of the claimed design.

1 Claim, 6 Drawing Sheets



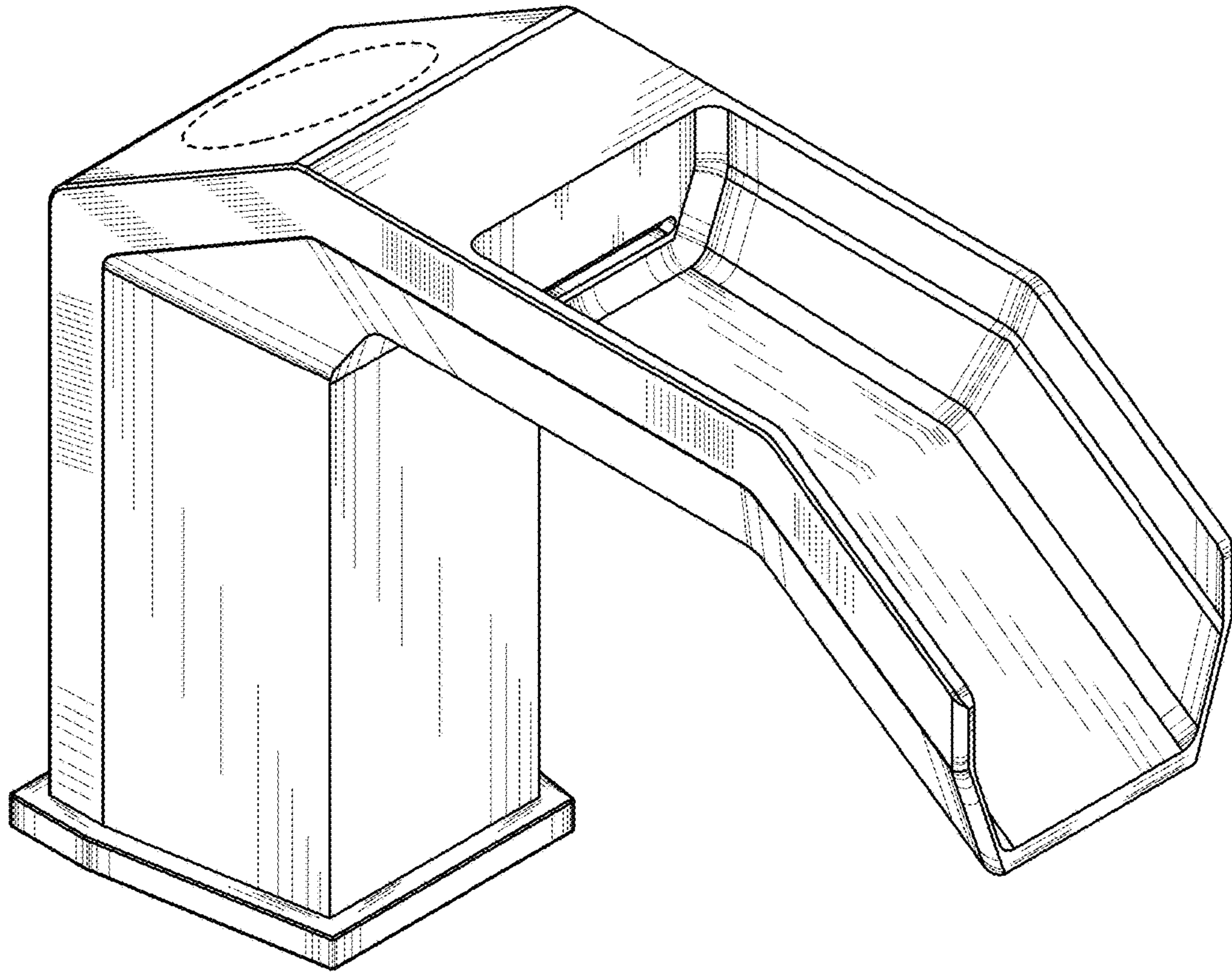


FIG.1

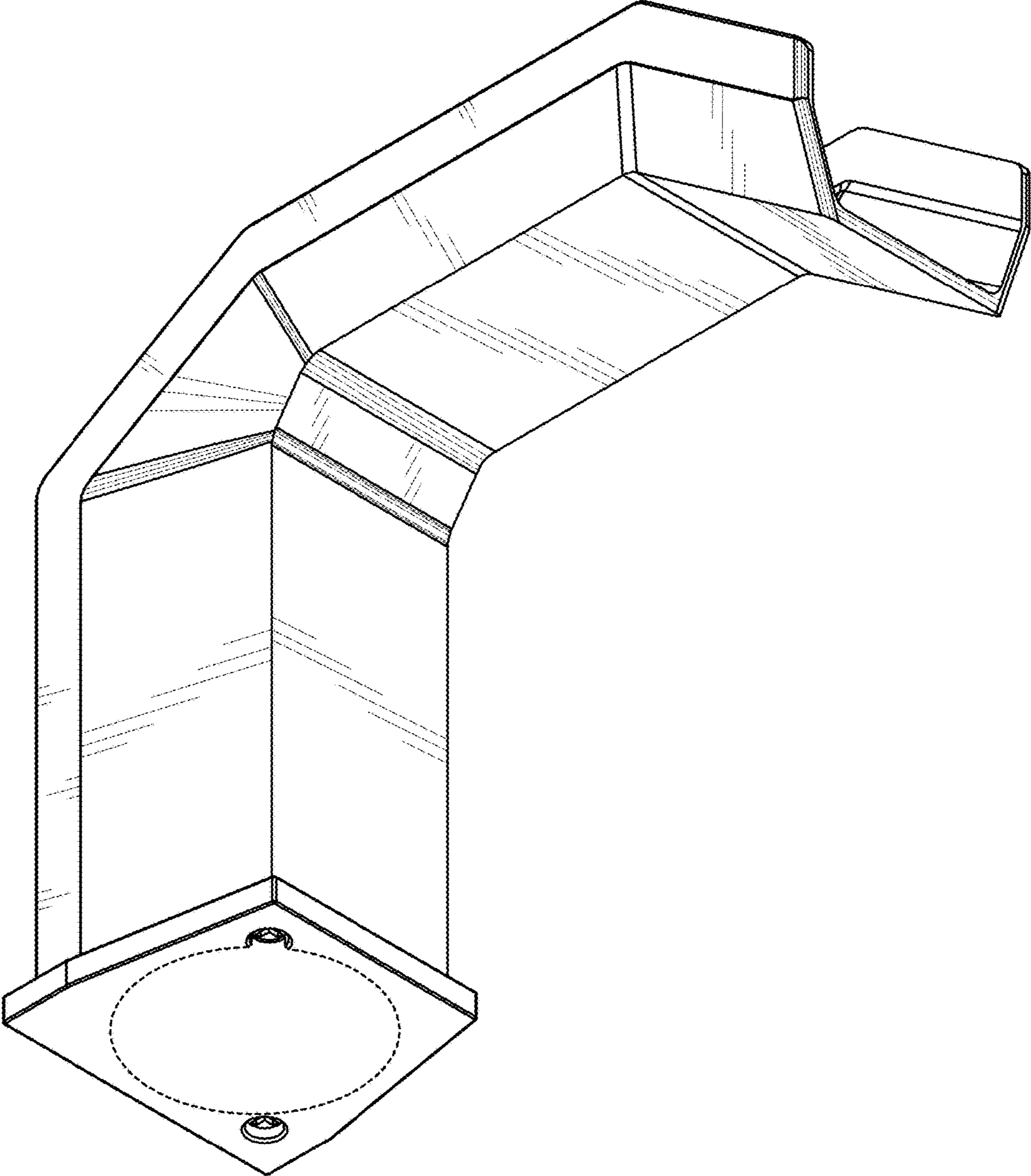


FIG.2

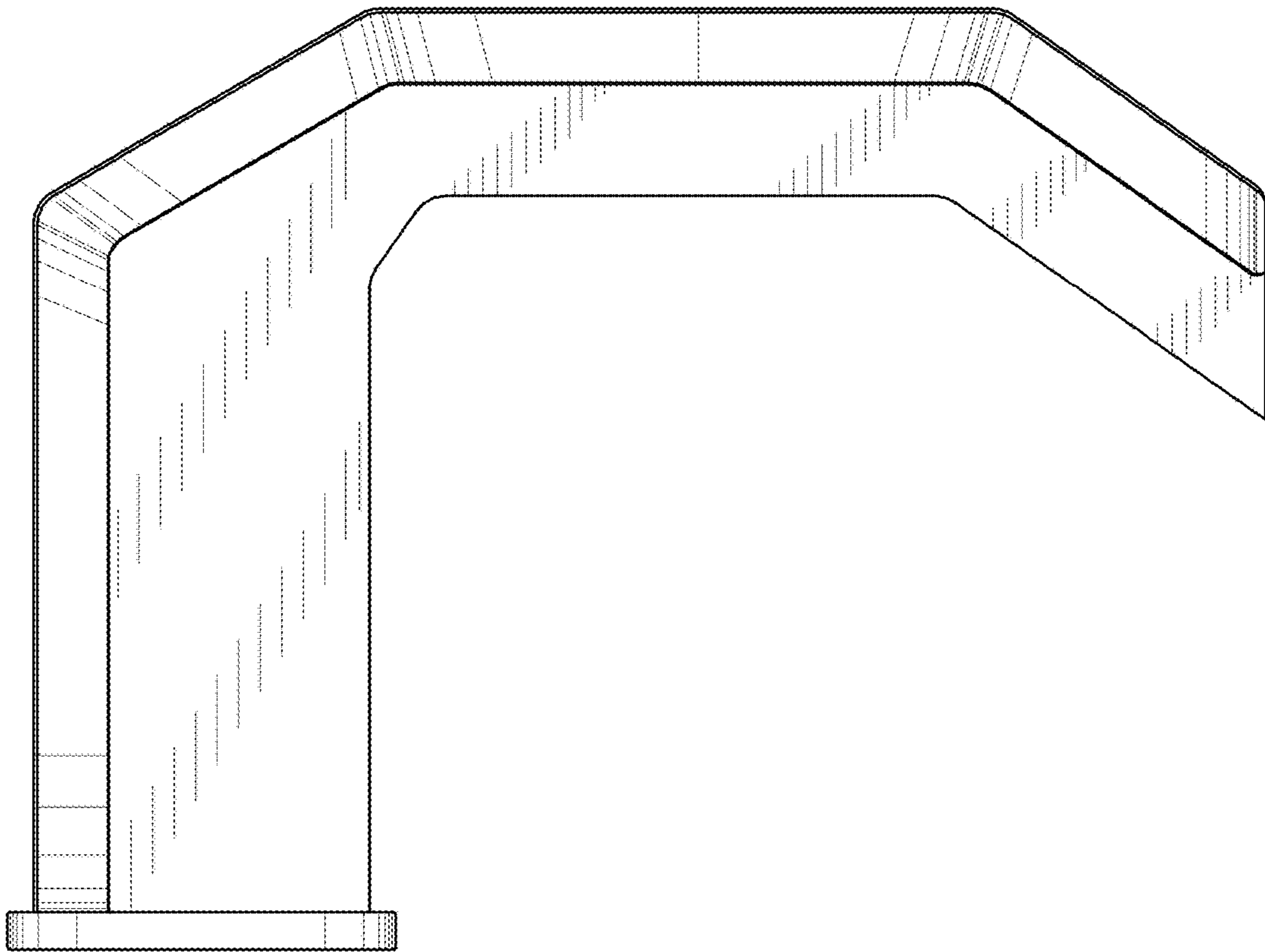


FIG.3

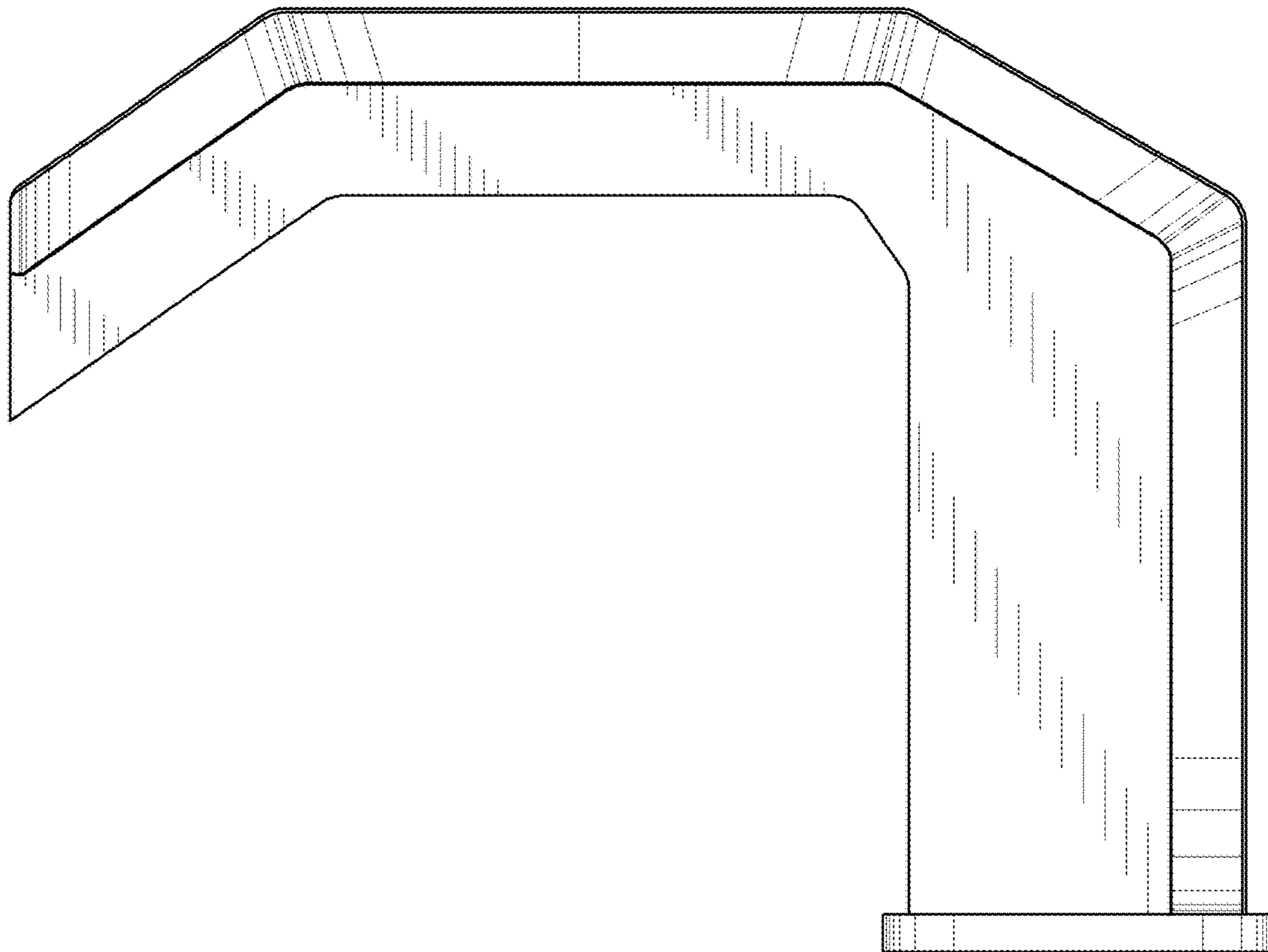


FIG.4

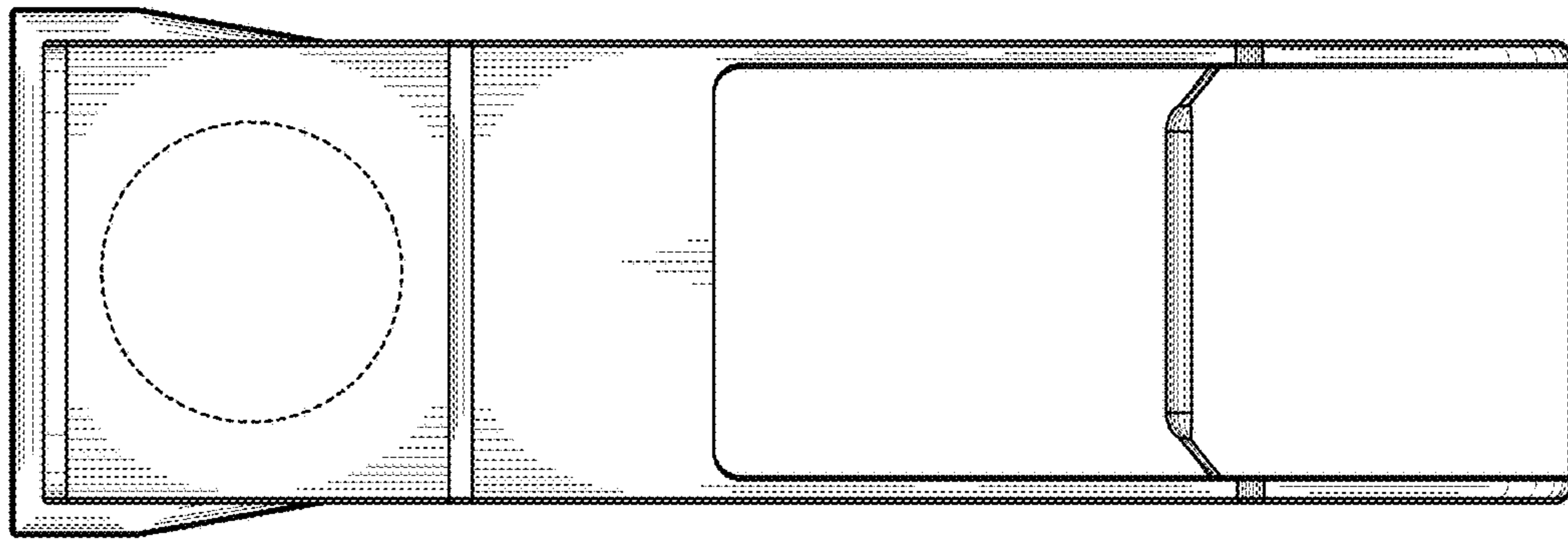


FIG.5

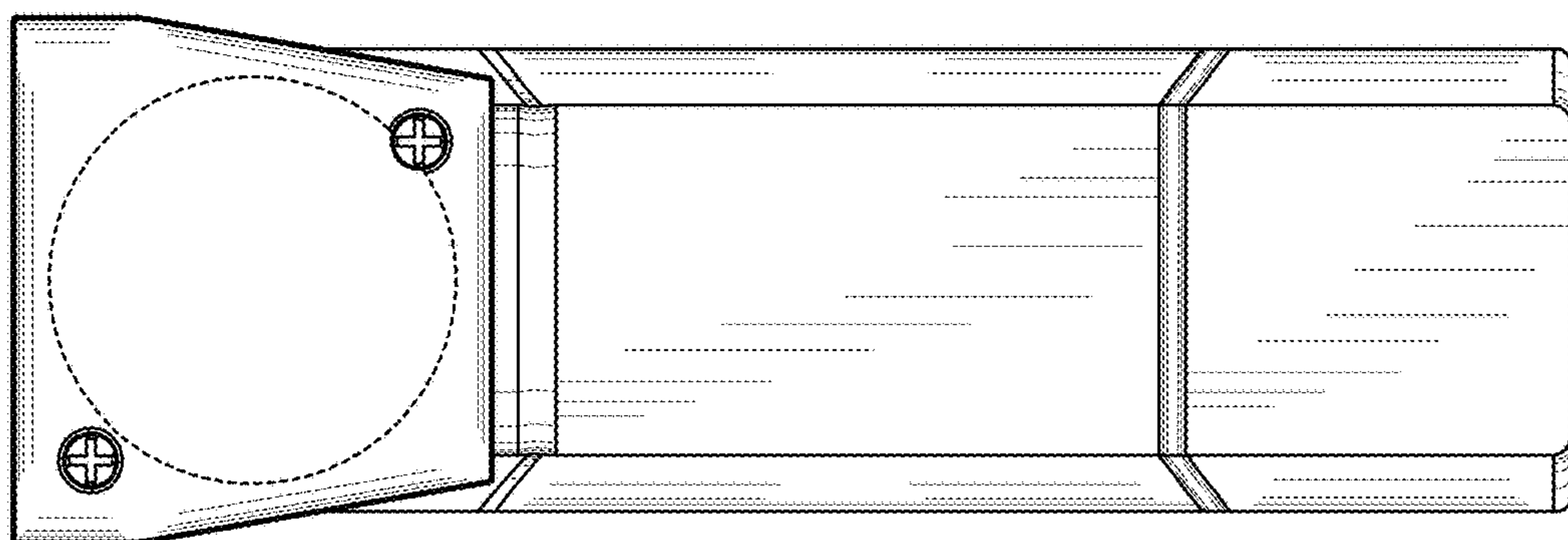


FIG.6

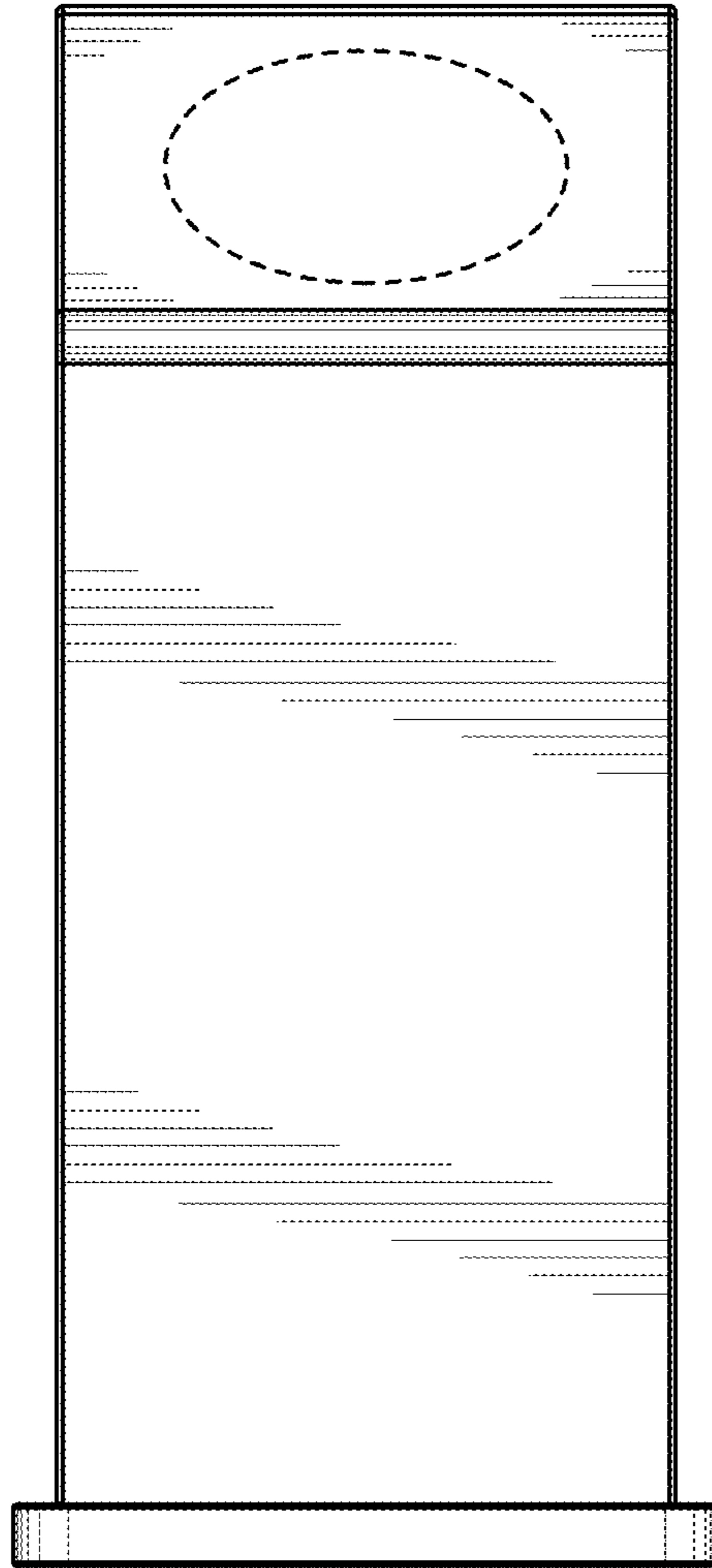


FIG.7