



US00D861138S

(12) **United States Design Patent** (10) **Patent No.:** **US D861,138 S**
Chen (45) **Date of Patent:** **** Sep. 24, 2019**

(54) **FAUCET**

(71) Applicant: **Hui Chen**, Wenzhou (CN)

(72) Inventor: **Hui Chen**, Wenzhou (CN)

(**) Term: **15 Years**

(21) Appl. No.: **29/645,771**

(22) Filed: **Apr. 29, 2018**

(51) **LOC (12) Cl.** **23-01**

(52) **U.S. Cl.**
USPC **D23/255**

(58) **Field of Classification Search**
USPC D23/238-243, 249, 255, 257
CPC E03C 1/04; E03C 1/0401; E03C 1/0402;
E03C 1/0404; Y10T 137/9464
See application file for complete search history.

(56) **References Cited**

U.S. PATENT DOCUMENTS

D581,030 S	*	11/2008	Fritz	D23/255
D586,429 S	*	2/2009	Fritz	D23/238
D717,402 S	*	11/2014	Fritz	D23/238
D790,667 S	*	6/2017	Schaubach	D23/252
D790,670 S	*	6/2017	Downey	D23/255

OTHER PUBLICATIONS

BWE Oil Rubbed Bronze Waterfall Single Handle One Hole Bathroom Sink Faucet Lavatory Faucets Deck Mount Commercial,

Date First Available Mar. 11, 2015 [Visited Online May 15, 2019],
https://www.amazon.com/dp/B07CG5DF8H/ref=sspa_dk_detail_0?psc=1&pd_rd_i=B07CG5DF8H.*

* cited by examiner

Primary Examiner — Eric L Goodman
Assistant Examiner — Amy C Wierenga

(74) *Attorney, Agent, or Firm* — Raymond Y. Chan;
David and Raymond Patent Firm

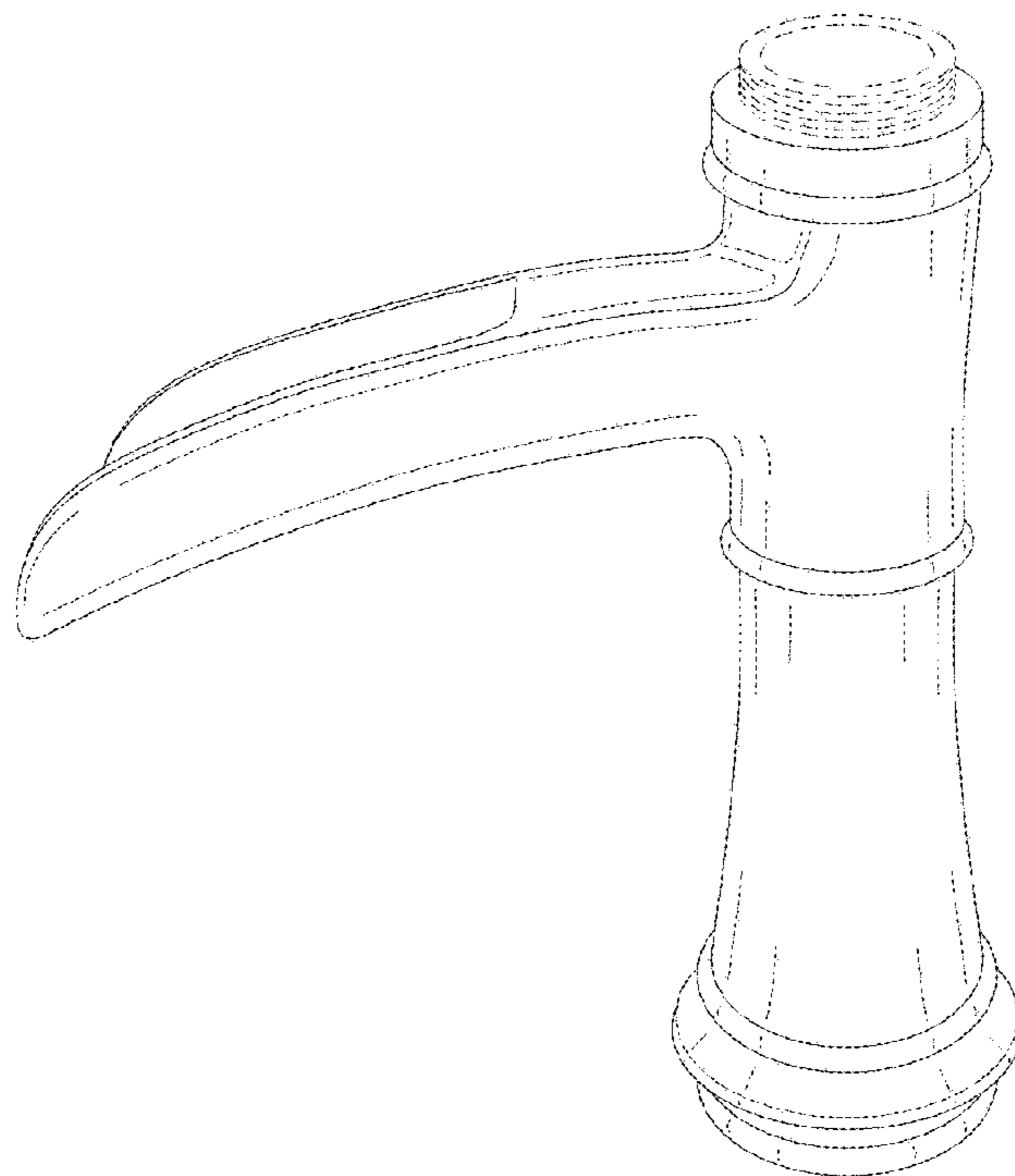
(57) **CLAIM**

The ornamental design for a faucet, as shown and described.

DESCRIPTION

FIG. 1 is a perspective view of the faucet showing my new design;
FIG. 2 is a right view thereof;
FIG. 3 is a left view thereof;
FIG. 4 is a front view thereof;
FIG. 5 is a rear view thereof;
FIG. 6 is a top perspective view thereof; and,
FIG. 7 is a bottom perspective view thereof.
The dashed broken lines depict portions of the faucet that form no part of the claim.

1 Claim, 7 Drawing Sheets



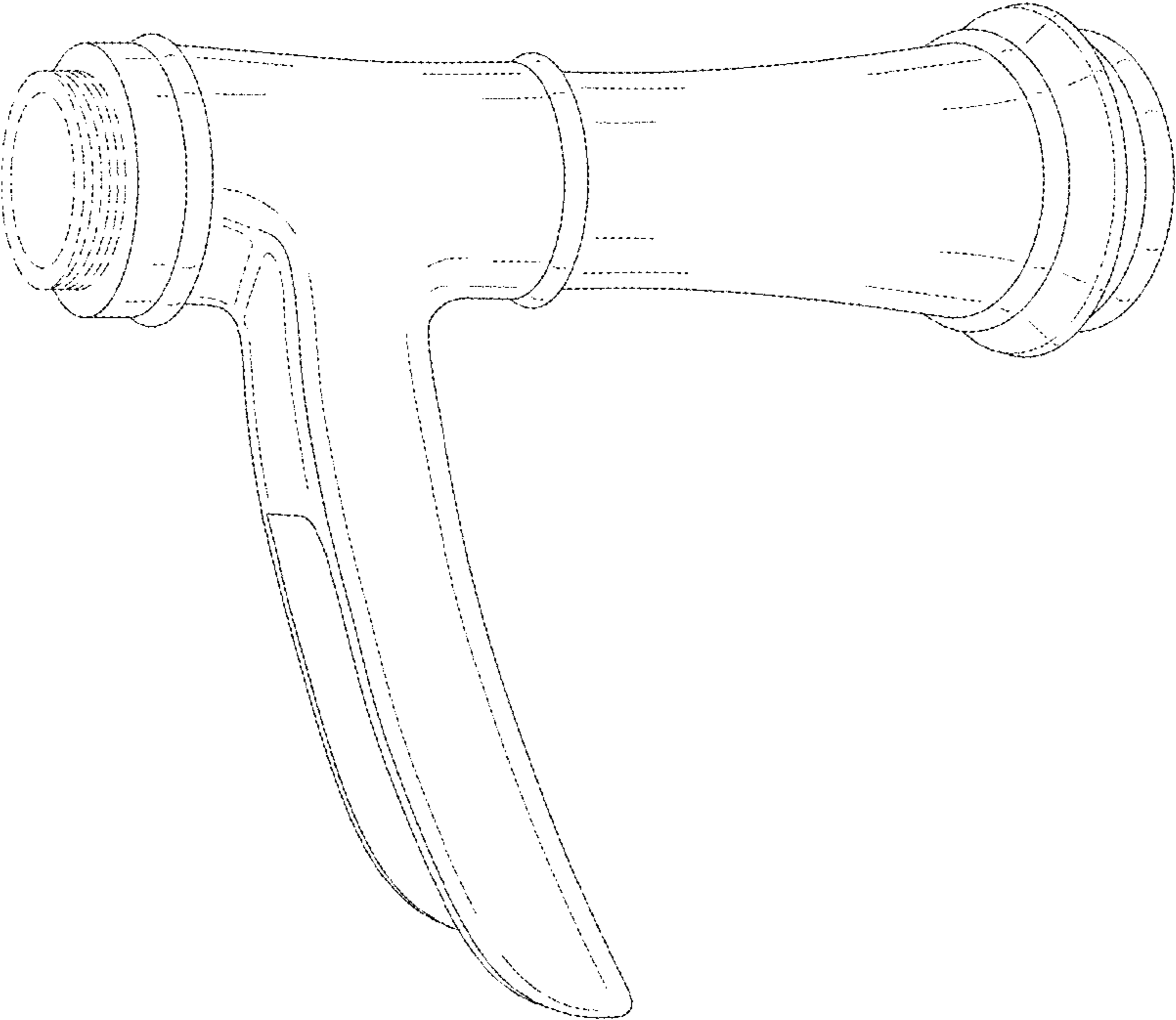


FIG. 1

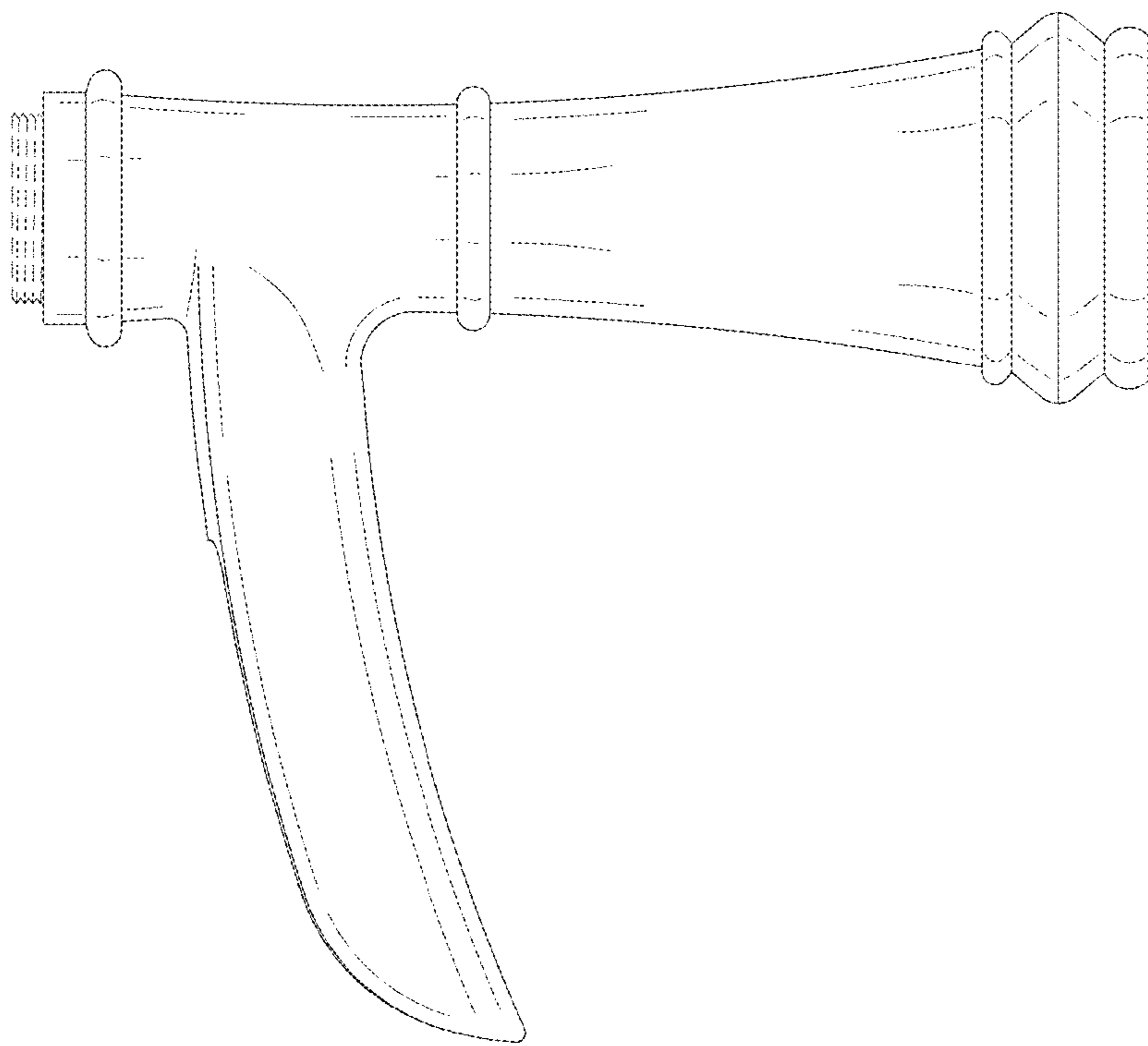


FIG. 2

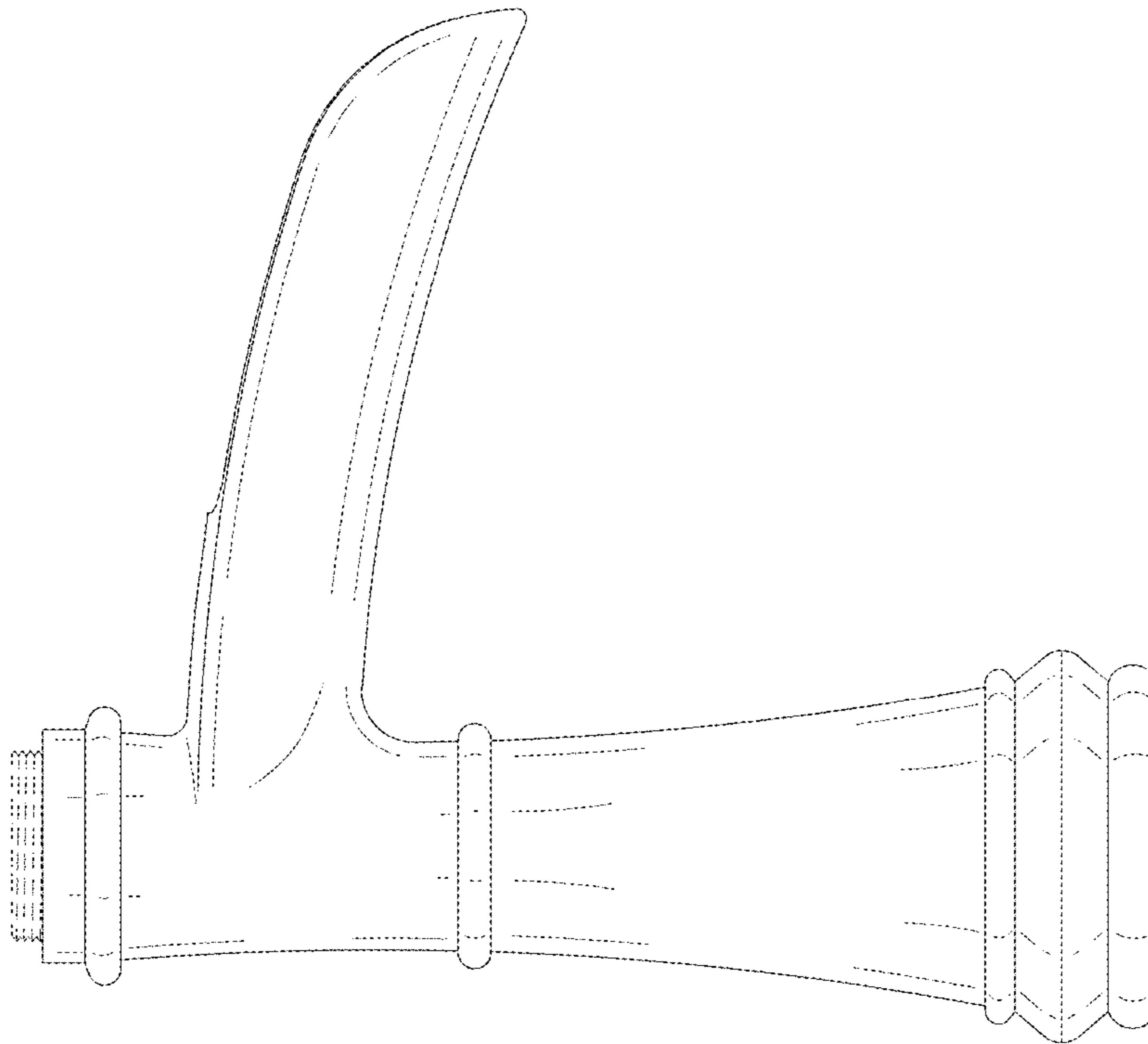


FIG. 3

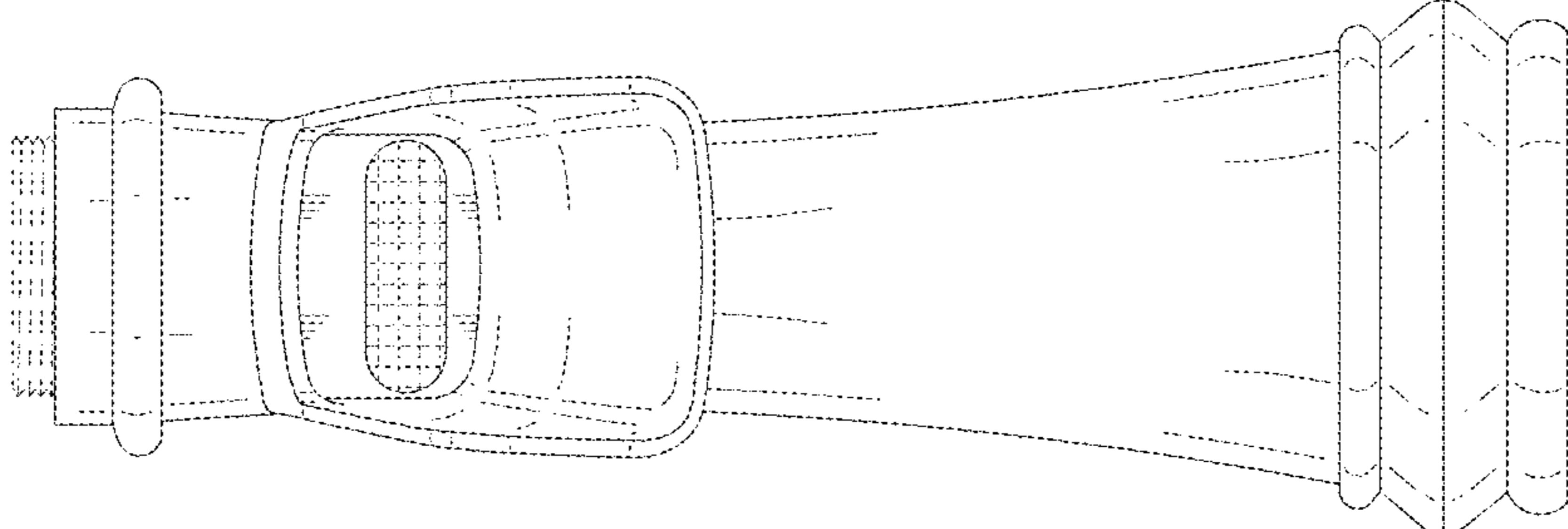


FIG. 4

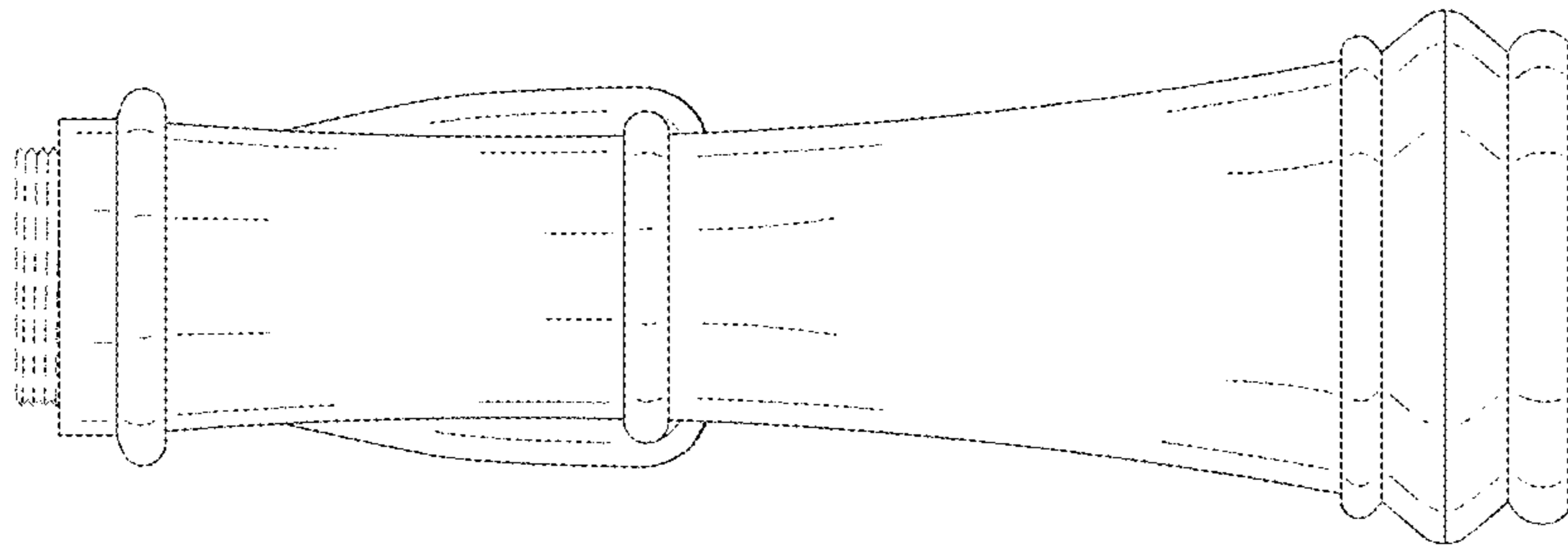


FIG. 5

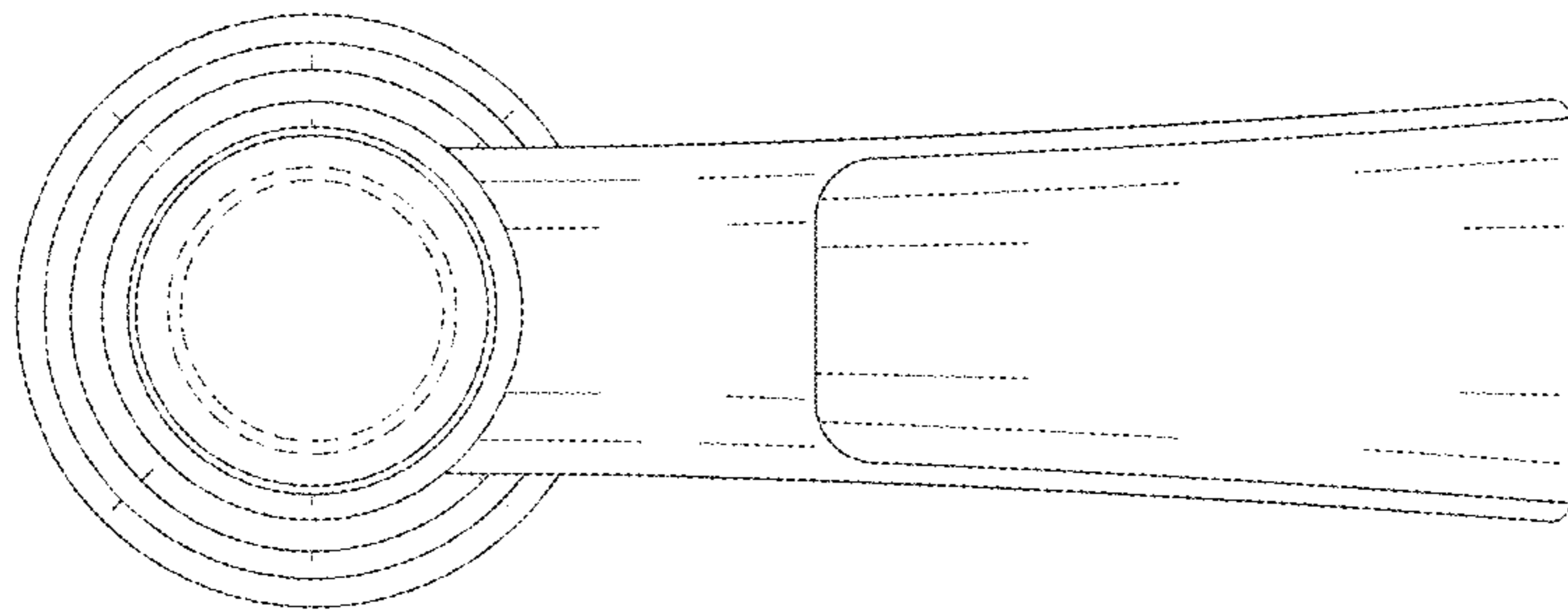


FIG. 6

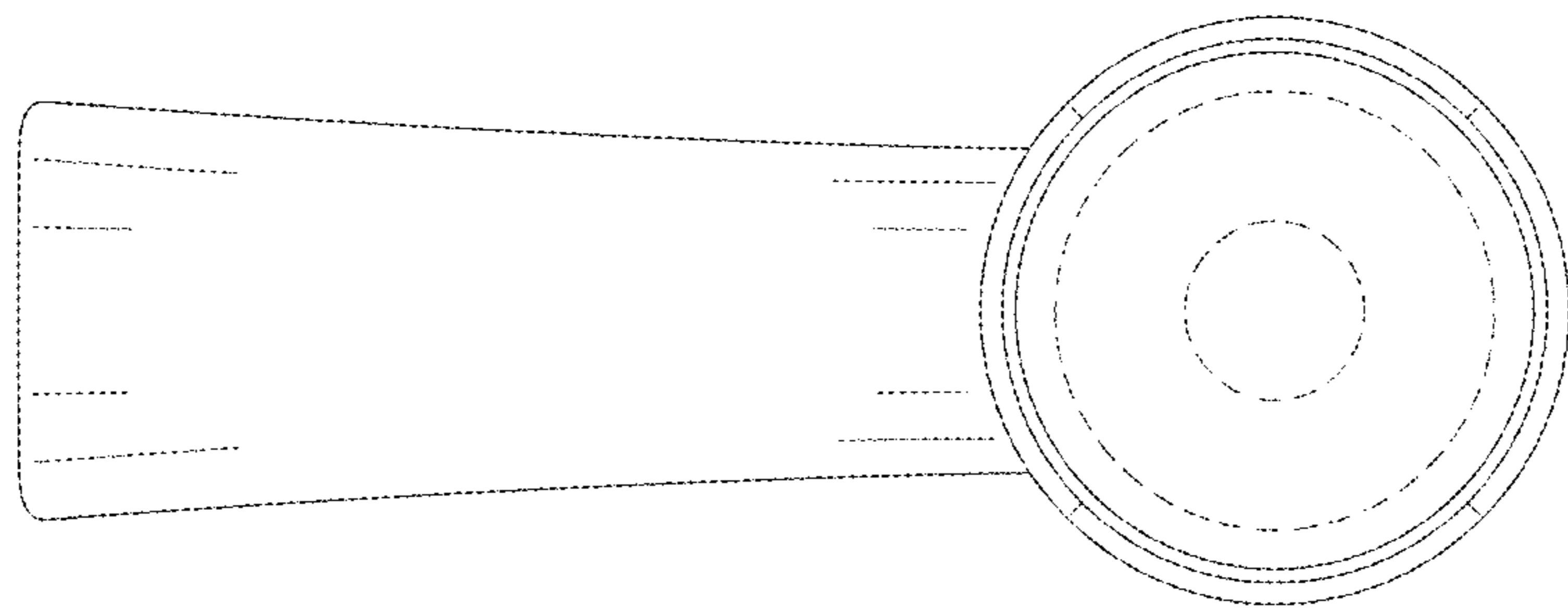


FIG. 7