



US00D861137S

(12) **United States Design Patent**  
**Chen**

(10) **Patent No.:** **US D861,137 S**

(45) **Date of Patent:** **\*\* Sep. 24, 2019**

(54) **FAUCET**

(71) Applicant: **Hui Chen**, Wenzhou (CN)

(72) Inventor: **Hui Chen**, Wenzhou (CN)

(\*\*) Term: **15 Years**

(21) Appl. No.: **29/643,387**

(22) Filed: **Apr. 8, 2018**

(51) **LOC (12) Cl.** ..... **23-01**

(52) **U.S. Cl.**  
USPC ..... **D23/255**; D23/238

(58) **Field of Classification Search**  
USPC ..... D23/238–245, 249, 250, 252, 254–255,  
D23/257; 4/675–678

CPC ..... Y10T 137/9464  
See application file for complete search history.

(56) **References Cited**

U.S. PATENT DOCUMENTS

D581,030 S \* 11/2008 Fritz ..... D23/255  
D718,427 S \* 11/2014 Fritz ..... D23/257  
D723,138 S \* 2/2015 Ke ..... D23/238  
D790,670 S \* 6/2017 Downey ..... D23/255

D827,106 S \* 8/2018 Rexach ..... D23/255  
D839,998 S \* 2/2019 Chen ..... D23/255  
D840,513 S \* 2/2019 Chen ..... D23/255

\* cited by examiner

*Primary Examiner* — Eric L Goodman

*Assistant Examiner* — Amy C Wierenga

(74) *Attorney, Agent, or Firm* — Raymond Y. Chan;  
David and Raymond Patent Firm

(57) **CLAIM**

The ornamental design for a faucet, as shown and described.

**DESCRIPTION**

FIG. 1 is a perspective view of the faucet showing my new design;

FIG. 2 is a right view thereof;

FIG. 3 is a left view thereof;

FIG. 4 is a front view thereof;

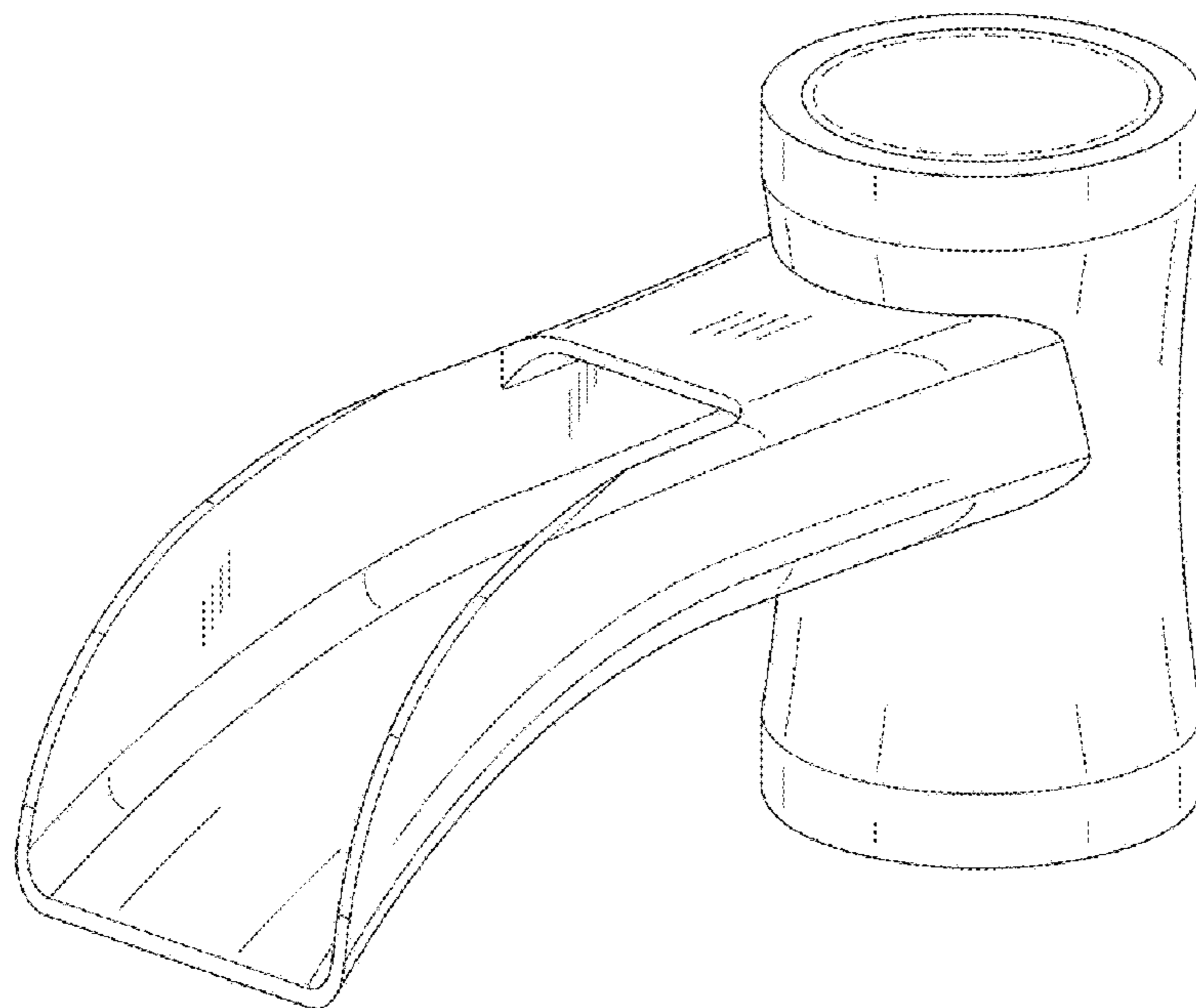
FIG. 5 is a rear view thereof;

FIG. 6 is a top perspective view thereof; and,

FIG. 7 is a bottom perspective view thereof.

The dashed broken lines depict portions of the faucet that form no part of the claim.

**1 Claim, 7 Drawing Sheets**



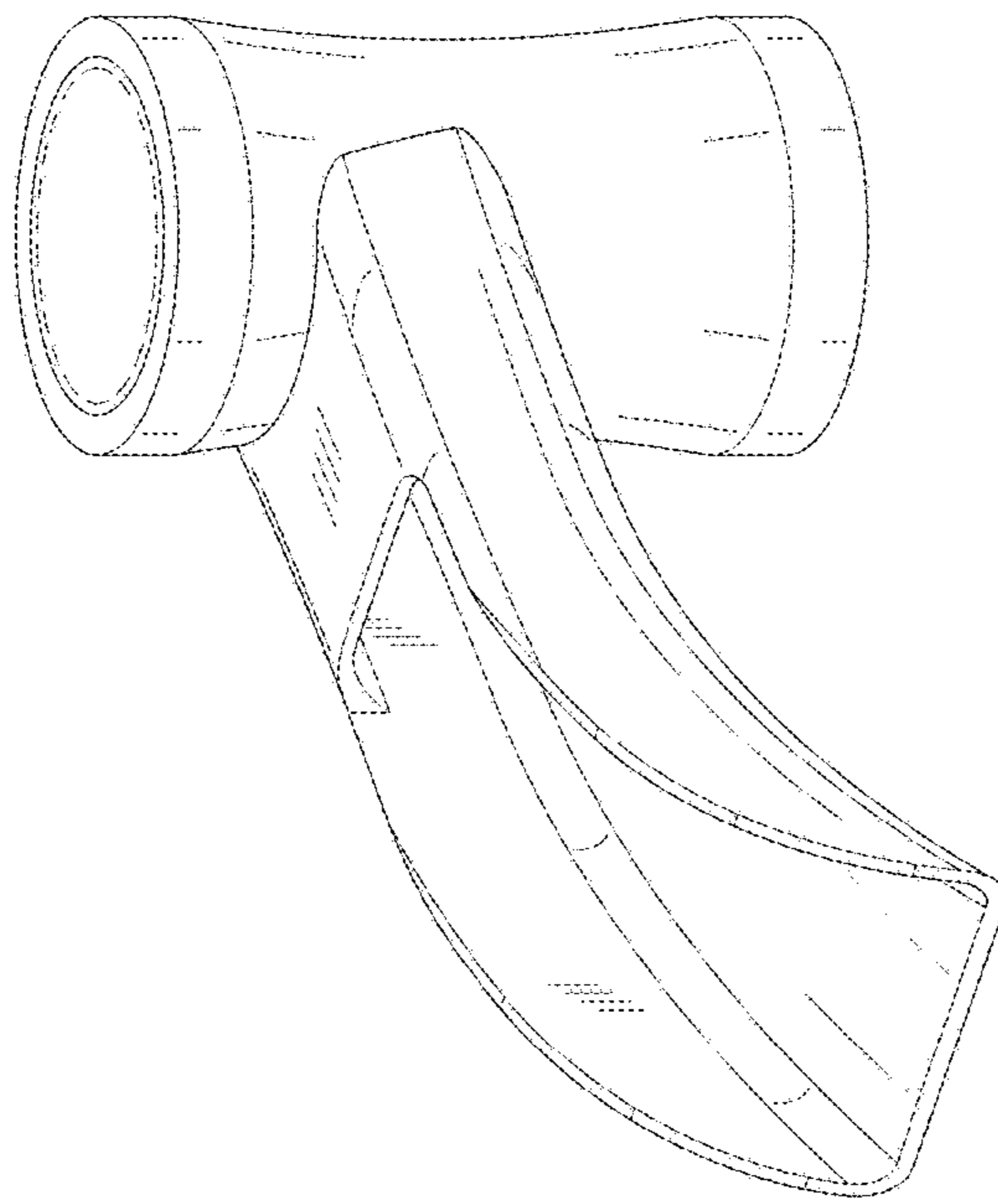


FIG. 1

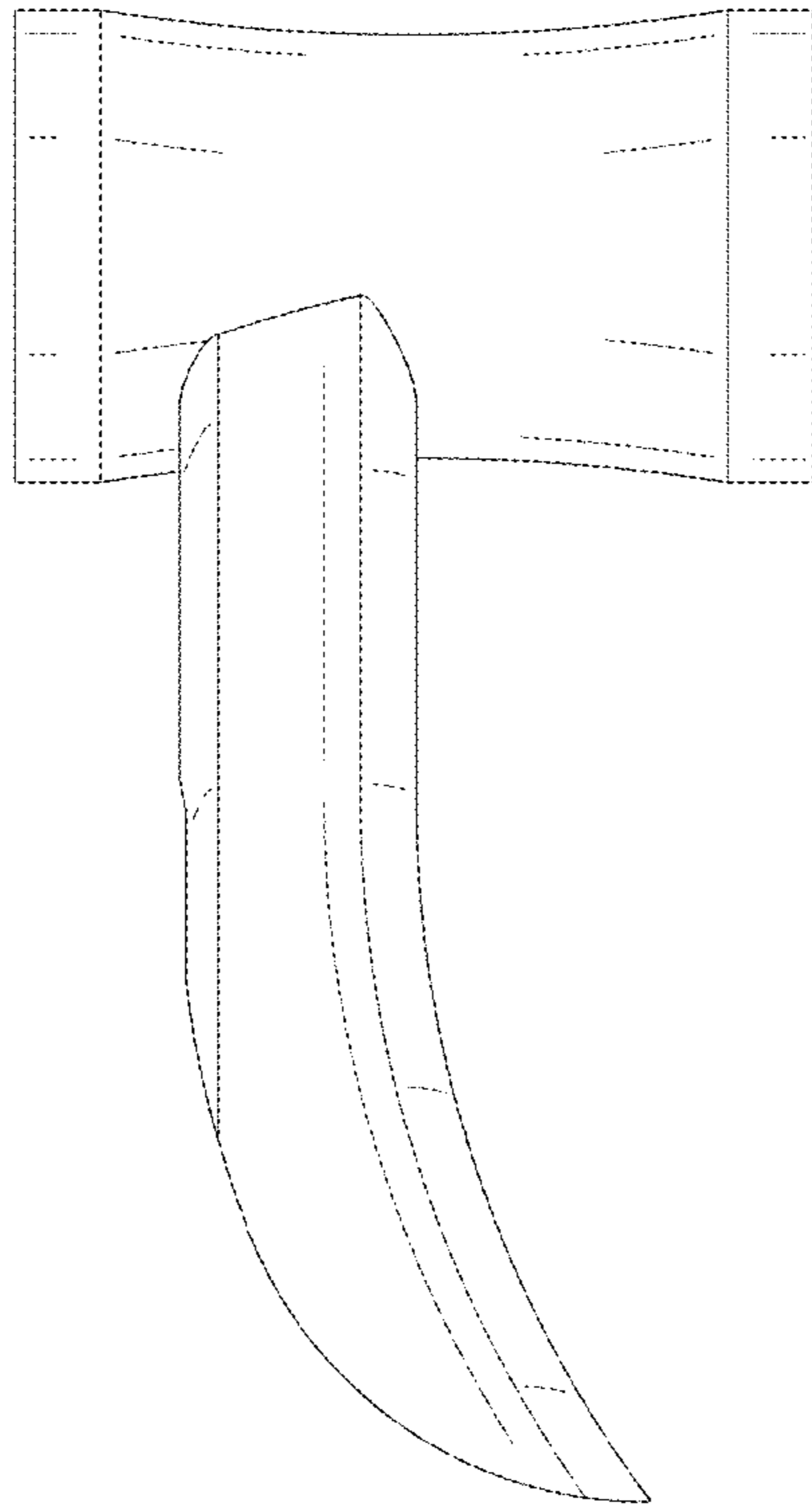


FIG.2

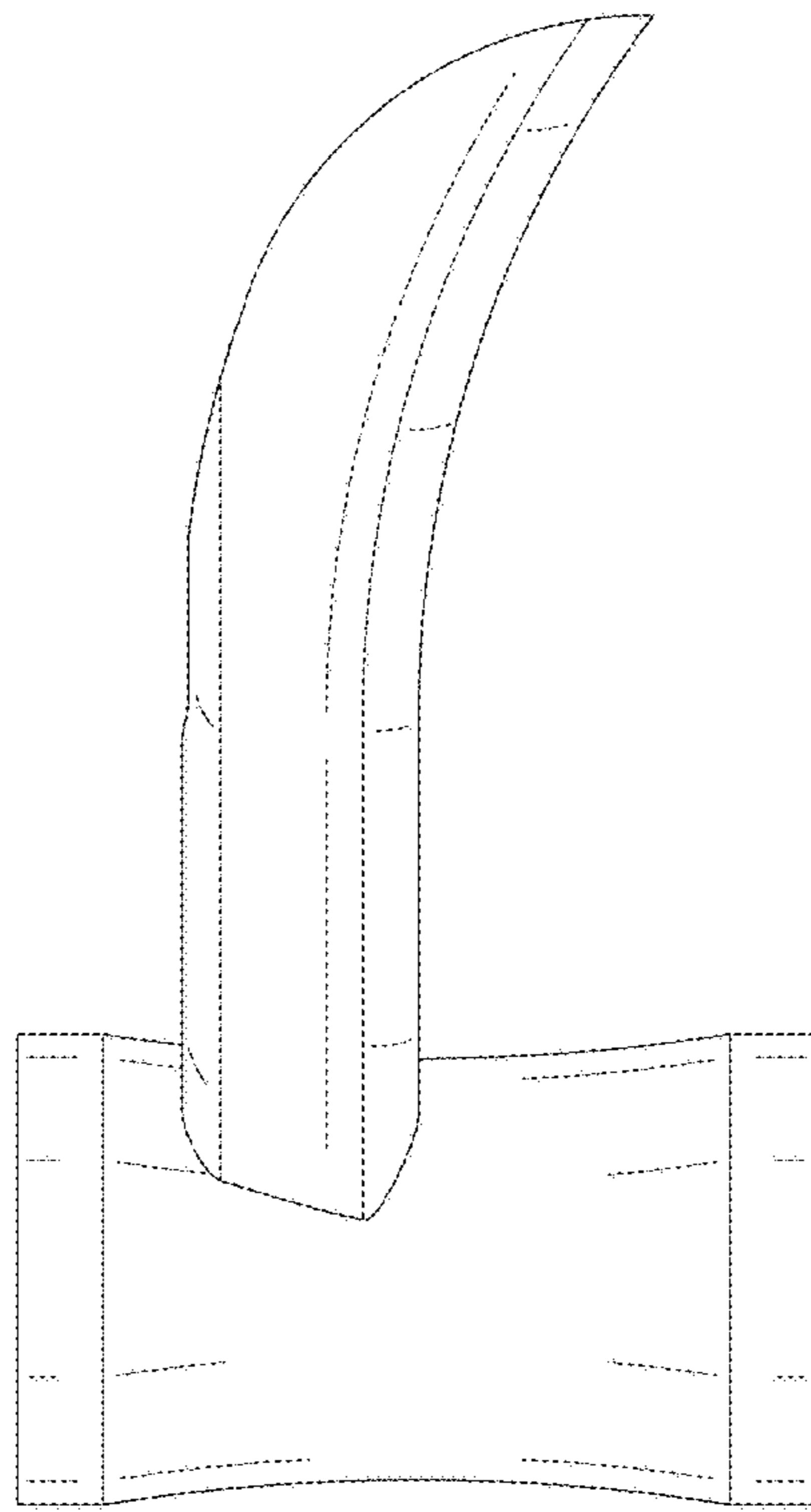


FIG. 3

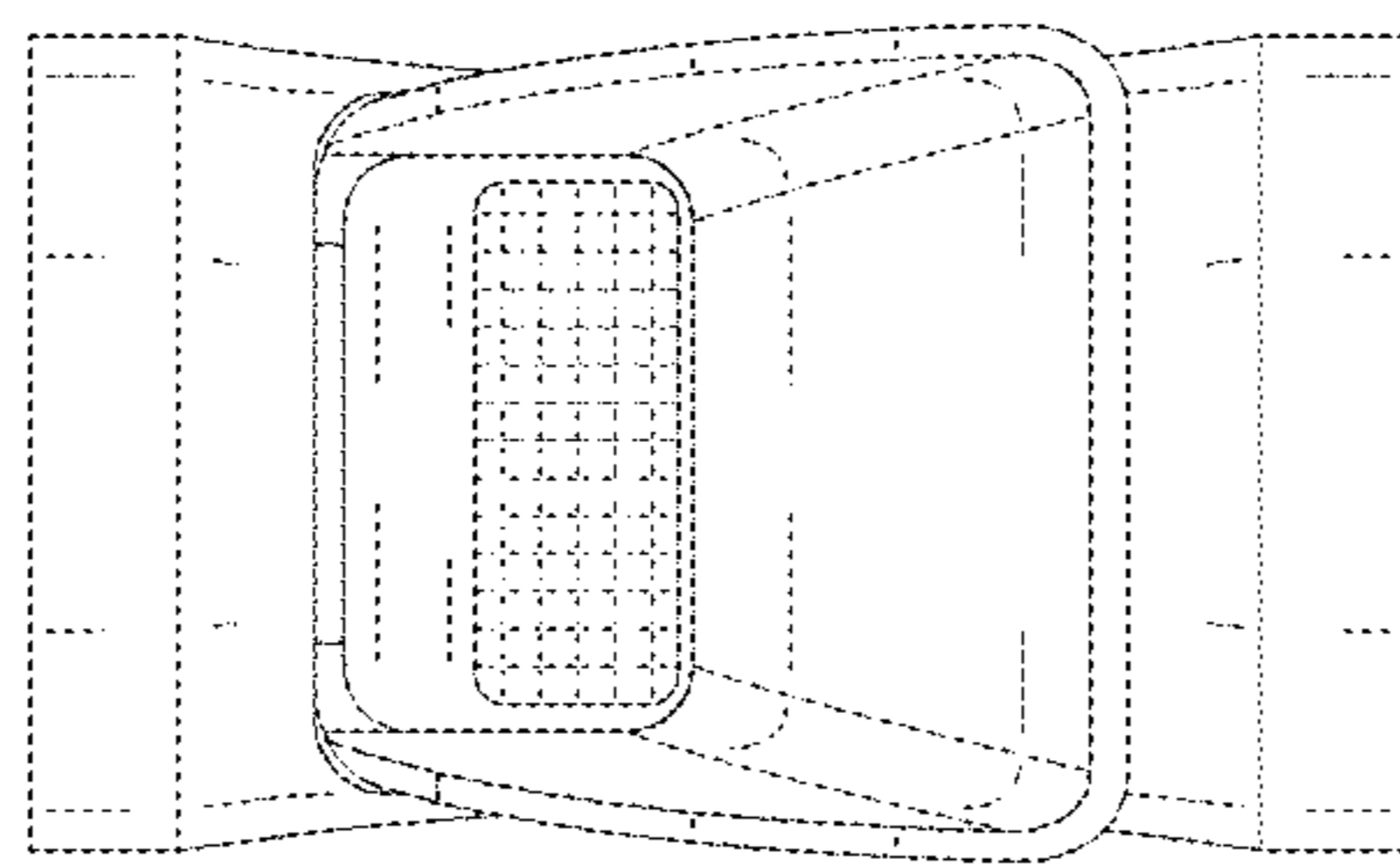


FIG. 4

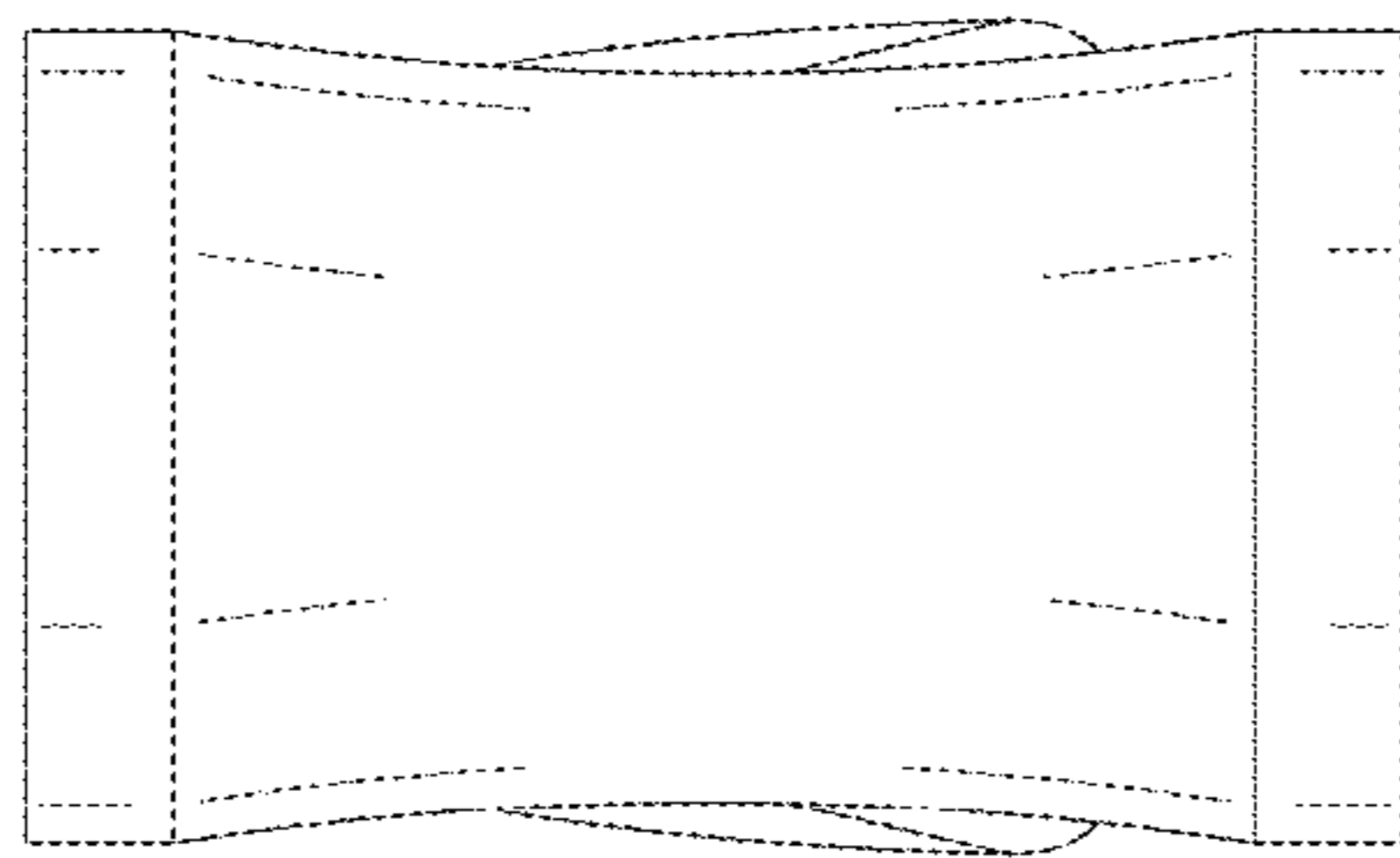


FIG. 5

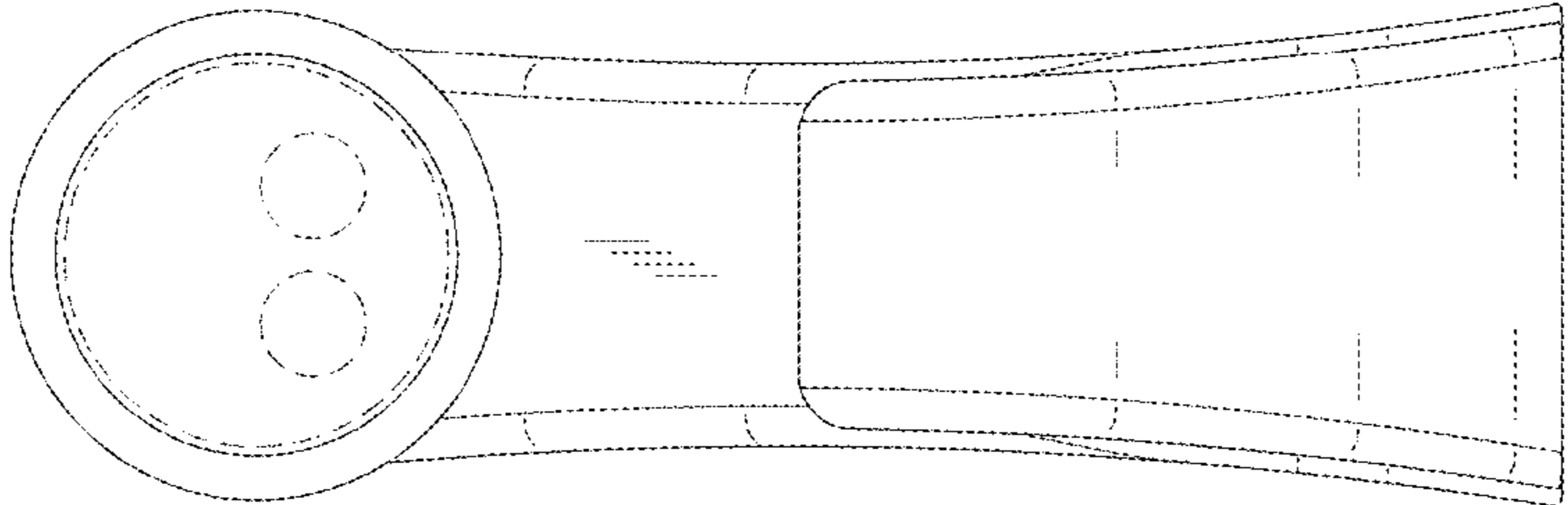


FIG. 6

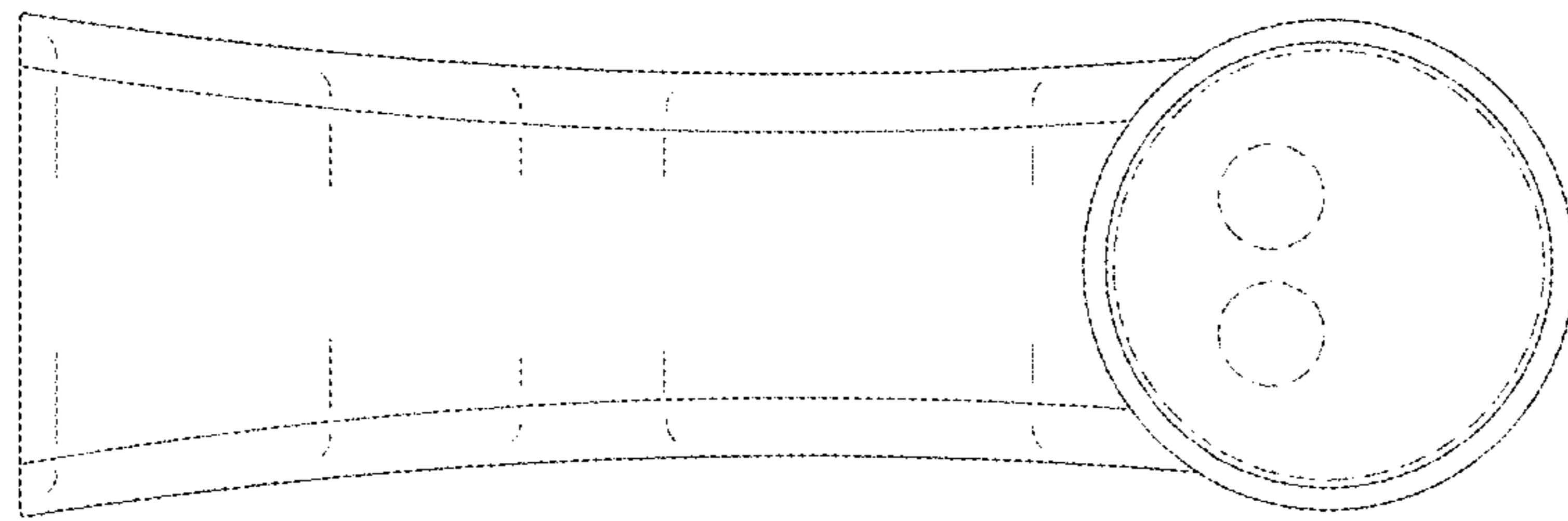


FIG. 7