



US00D861134S

(12) **United States Design Patent**  
**Diefenbach et al.**

(10) **Patent No.:** **US D861,134 S**

(45) **Date of Patent:** **\*\* Sep. 24, 2019**

(54) **FAUCET**

(71) Applicant: **Hansgrohe SE**, Schiltach (DE)

(72) Inventors: **Andreas Diefenbach**,  
Ludwigsburg-Oßweil (DE); **Tom**  
**Schoenherr**, Stuttgart (DE)

(73) Assignee: **Hansgrohe SE**, Schiltach (DE)

(\*\*) Term: **15 Years**

(21) Appl. No.: **29/653,629**

(22) Filed: **Jun. 18, 2018**

(30) **Foreign Application Priority Data**

Dec. 18, 2017 (EM) ..... 004554657-0001

(51) **LOC (12) Cl.** ..... **23-01**

(52) **U.S. Cl.**  
USPC ..... **D23/238**

(58) **Field of Classification Search**  
USPC ..... D23/238-243, 249, 255, 257, 250, 252,  
D23/254, 213; D8/307-308, 353  
CPC ..... E03C 1/0412; E03C 1/0409  
See application file for complete search history.

(56) **References Cited**

**U.S. PATENT DOCUMENTS**

D478,966 S \* 8/2003 Citterio ..... D23/238  
D499,171 S \* 11/2004 Citterio ..... D23/245  
D503,217 S \* 3/2005 Aubry ..... D23/238  
D527,794 S \* 9/2006 Sieger ..... D23/238

D584,793 S \* 1/2009 Sieger ..... D23/213  
D608,419 S \* 1/2010 Kohler, Jr. .... D23/255  
D756,742 S \* 5/2016 Nishida Watson ..... D8/308  
D762,287 S \* 7/2016 Flowers ..... D23/238  
D803,356 S \* 11/2017 Lucchese ..... D23/238  
D833,576 S \* 11/2018 Lee ..... D23/238

**FOREIGN PATENT DOCUMENTS**

CN 304019301 S 1/2017

**OTHER PUBLICATIONS**

Catalog, Toto 2012/2013 Faucets/Accessories Catalogue, 6 pgs.,  
Toto, Kitakyushu, Japan, at least as early as May 23, 2012.

\* cited by examiner

*Primary Examiner* — Robert A Delehanty

(74) *Attorney, Agent, or Firm* — Lora J. Graentzdoerffer

(57) **CLAIM**

The ornamental design for faucet, as shown and described.

**DESCRIPTION**

FIG. 1 is a perspective view of a faucet showing our design;  
FIG. 2 is a front elevation view;  
FIG. 3 is a rear elevation view;  
FIG. 4 is a right side elevation view;  
FIG. 5 is a left side elevation view;  
FIG. 6 is a top plan view; and,  
FIG. 7 is a bottom plan view.

The broken-line disclosures in the view represents portions  
of the faucet in which the claimed design is embodied, but  
which forms no part of the claimed design.

**1 Claim, 7 Drawing Sheets**

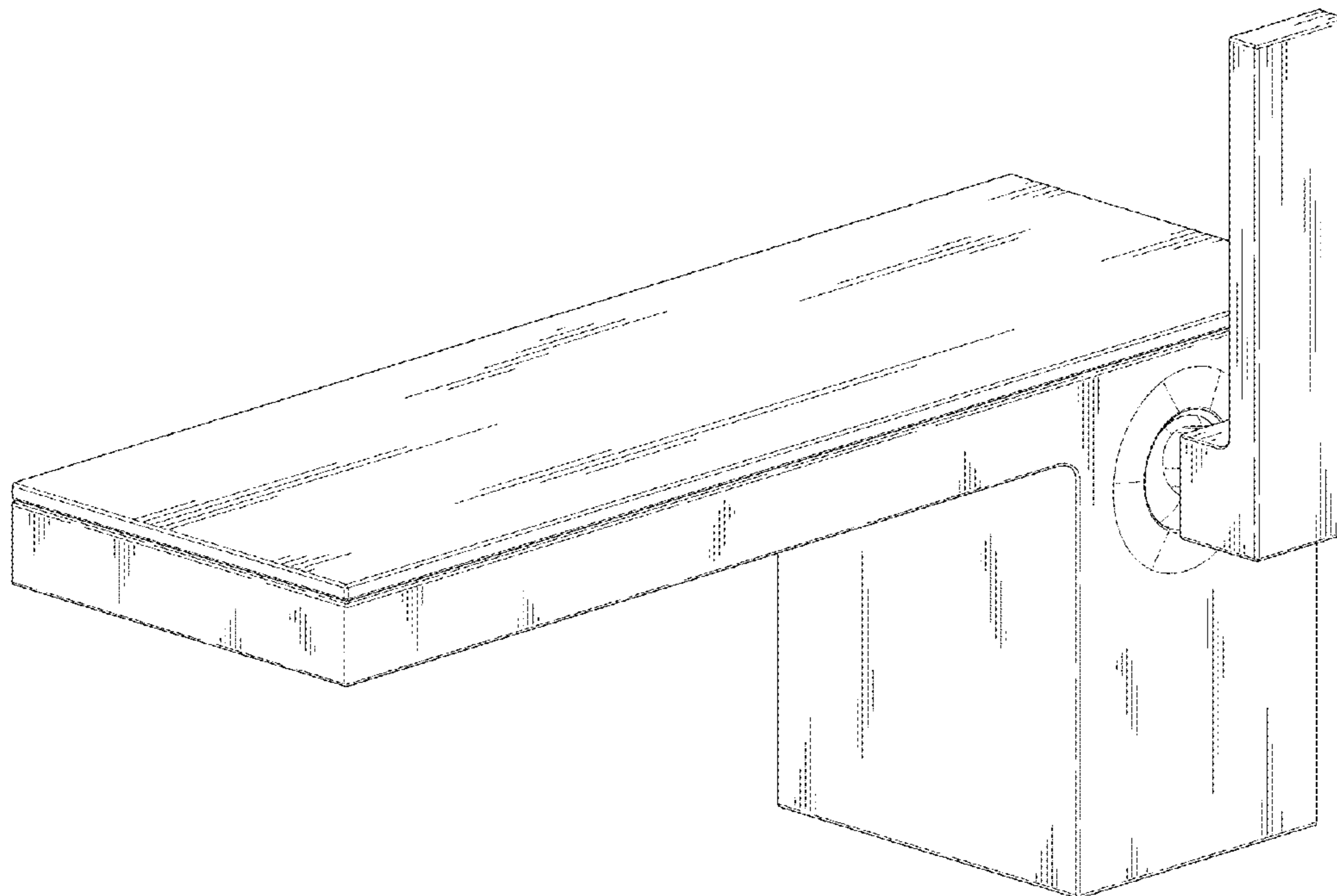


FIG. 1

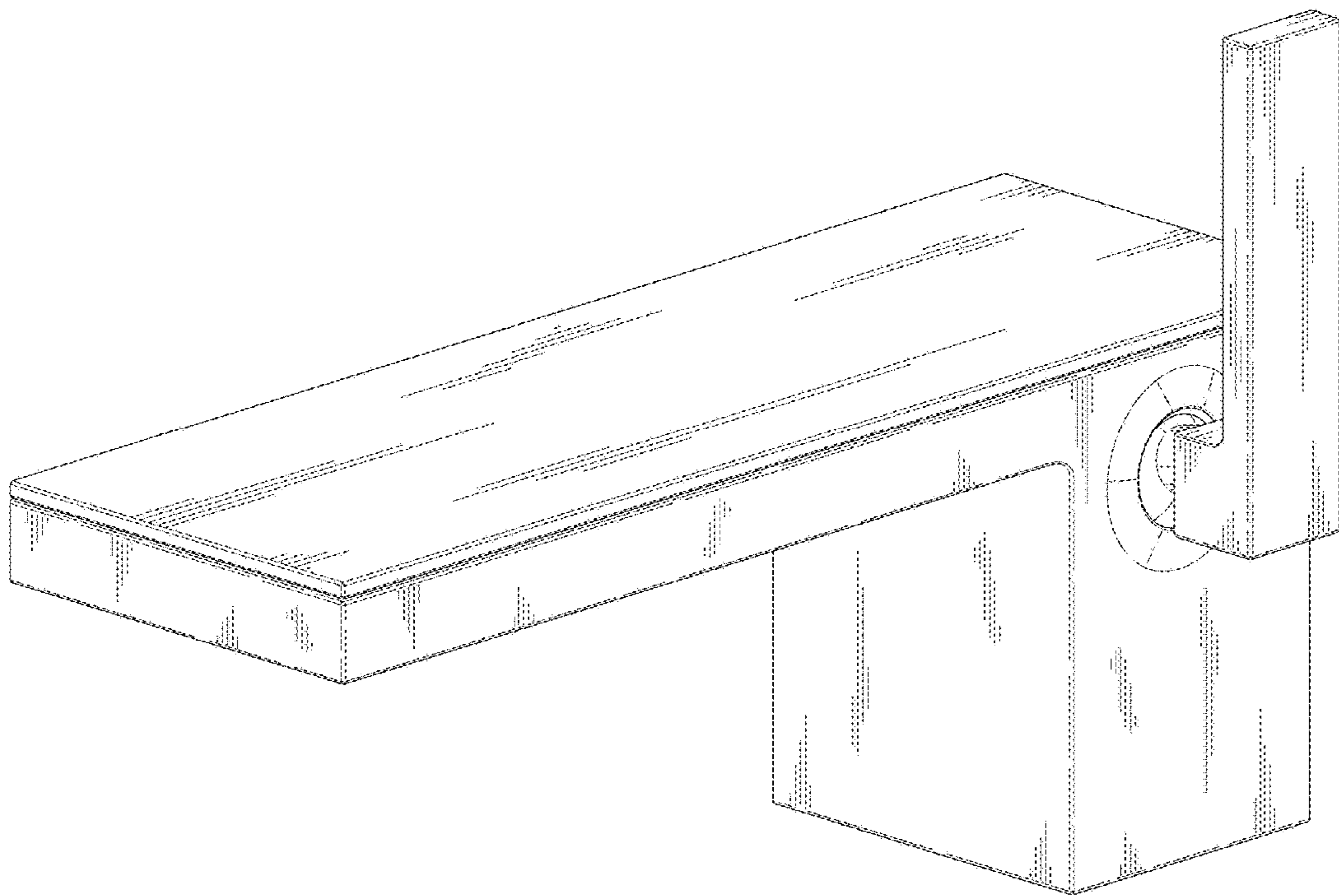


FIG. 2

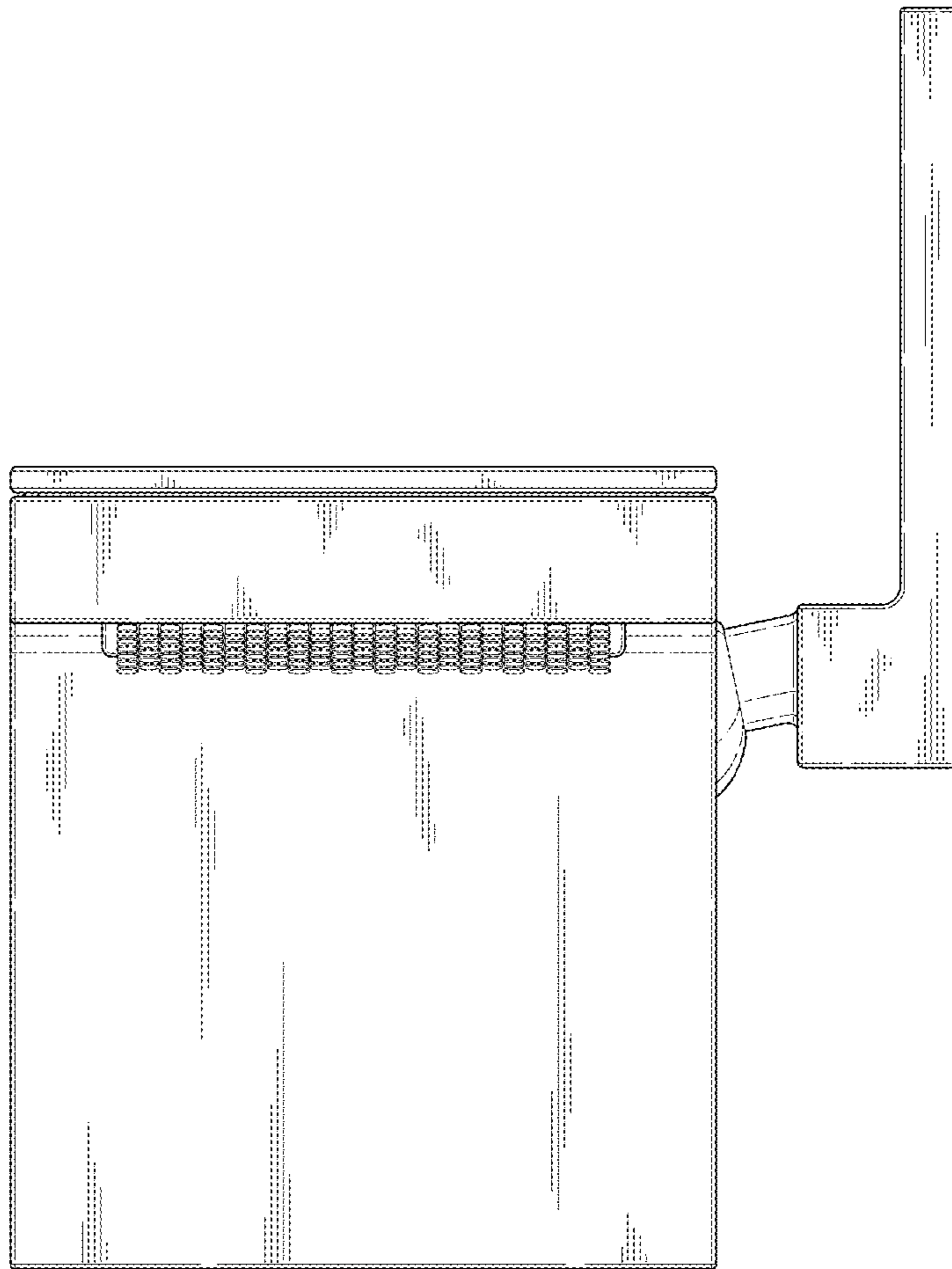


FIG. 3

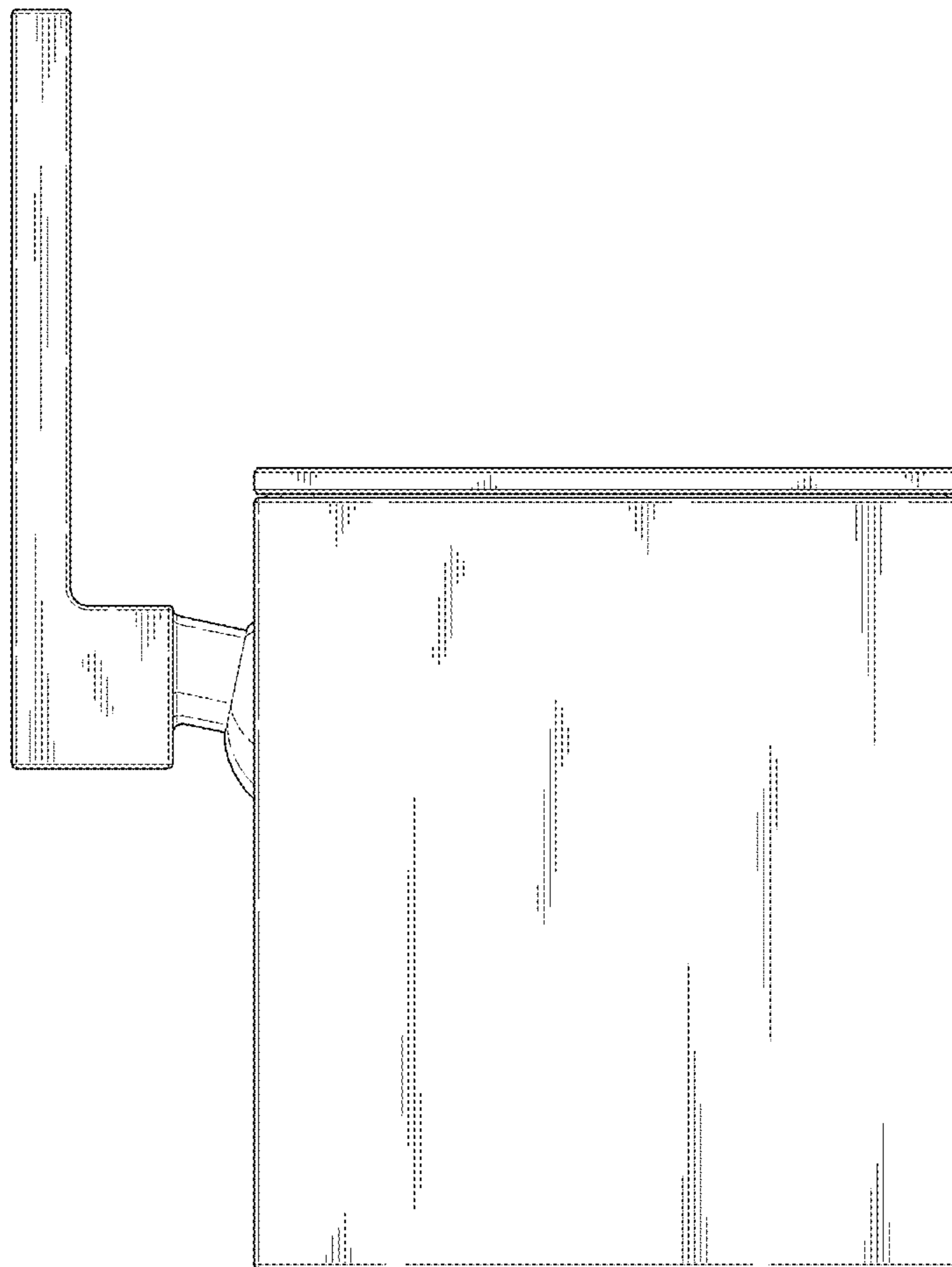


FIG. 4

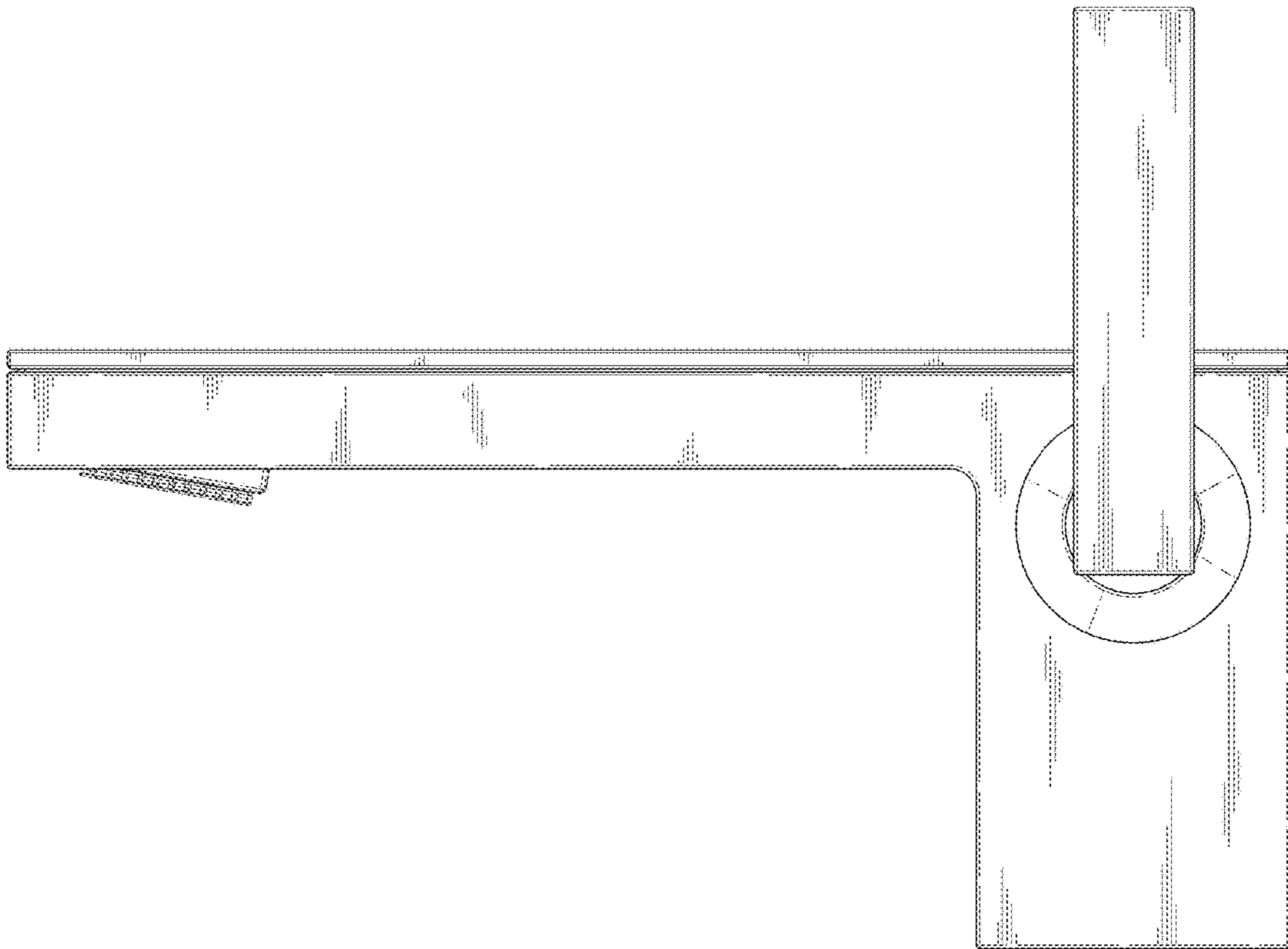


FIG. 5

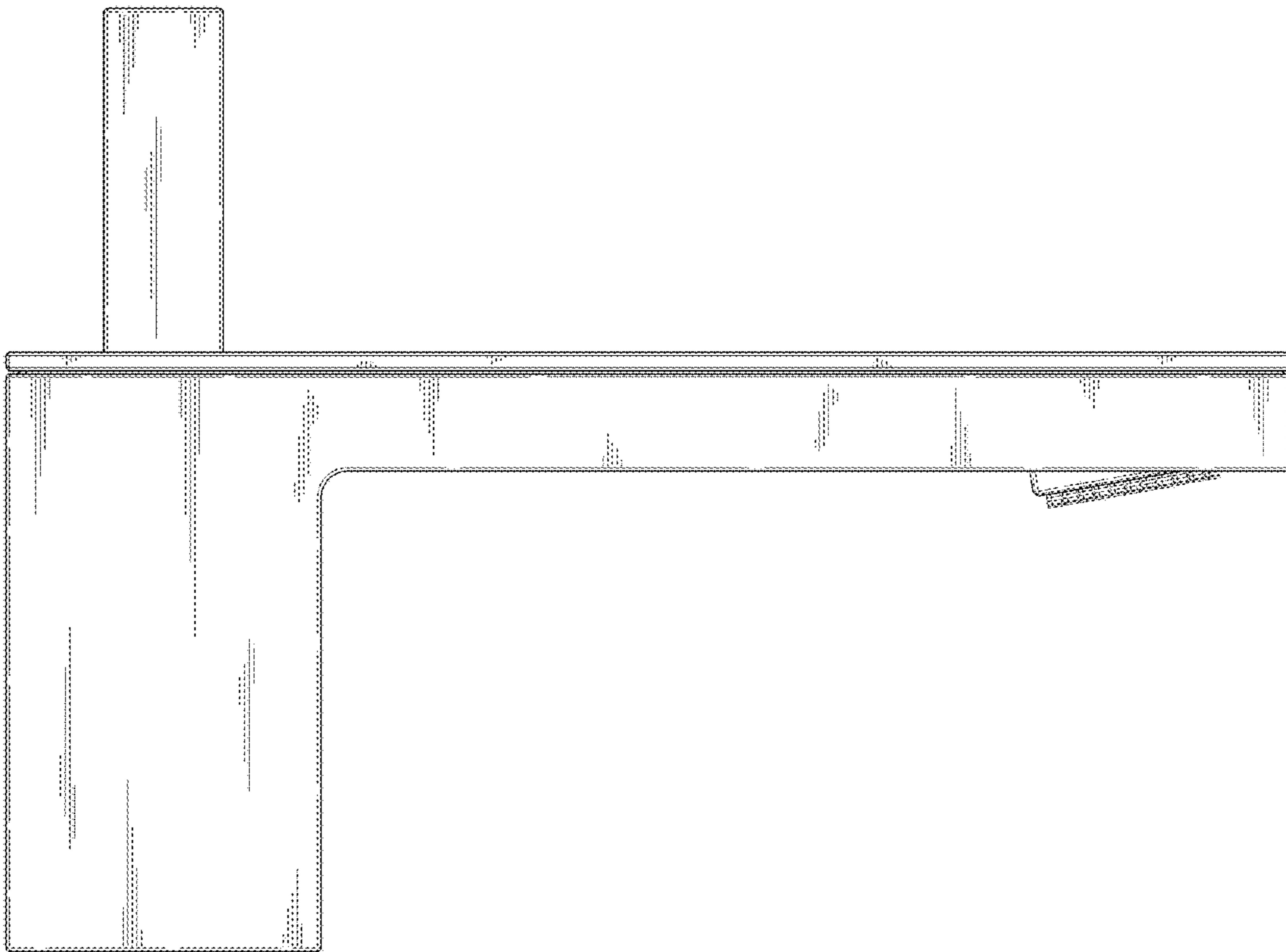


FIG. 6

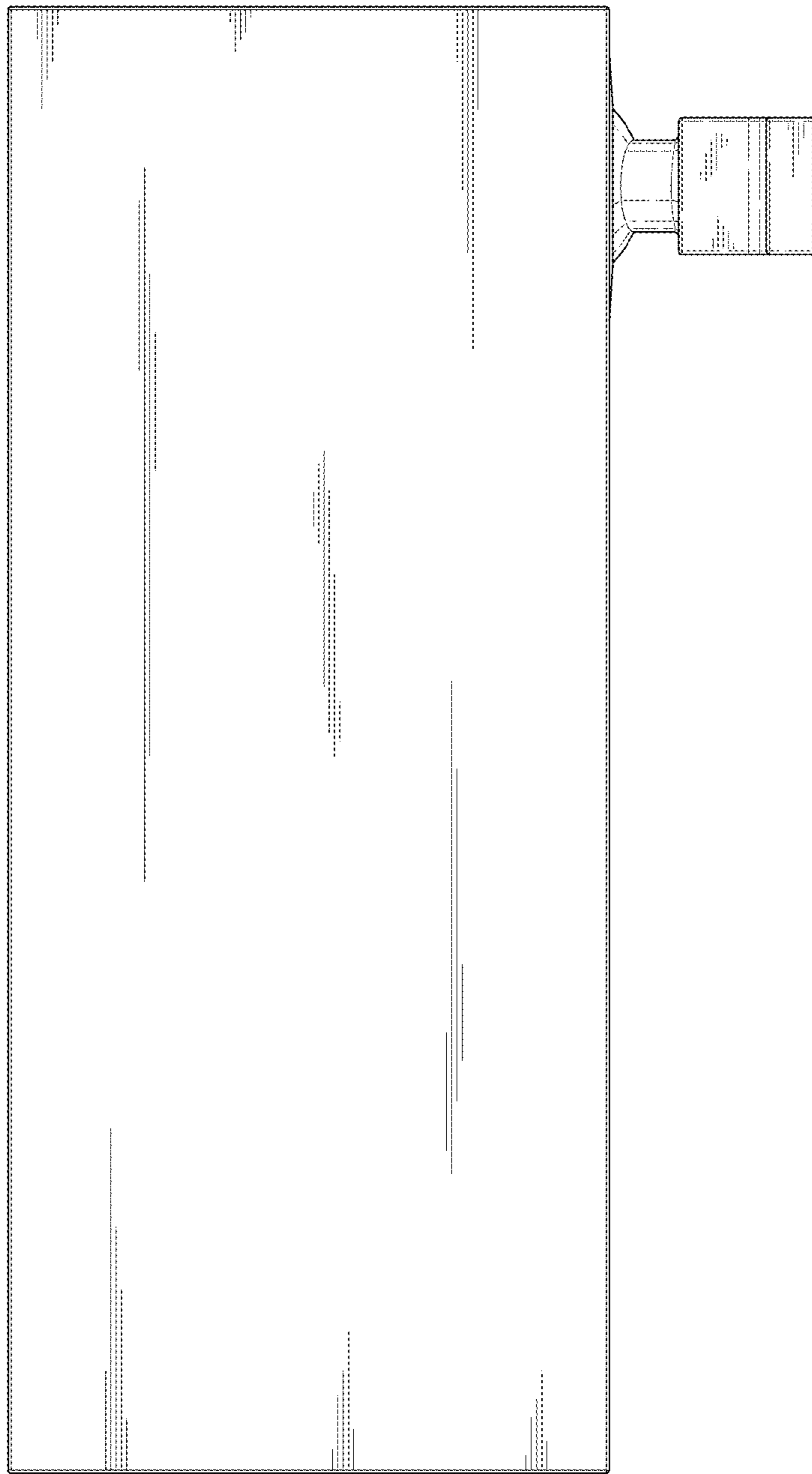


FIG. 7

