



US00D861133S

(12) **United States Design Patent** (10) **Patent No.:** **US D861,133 S**
Chen (45) **Date of Patent:** **** Sep. 24, 2019**

(54) **FAUCET**

(71) Applicant: **Hui Chen**, Wenzhou (CN)

(72) Inventor: **Hui Chen**, Wenzhou (CN)

(**) Term: **15 Years**

(21) Appl. No.: **29/646,116**

(22) Filed: **May 1, 2018**

(51) **LOC (12) Cl.** **23-01**

(52) **U.S. Cl.**

USPC **D23/238**; D23/255

(58) **Field of Classification Search**

USPC D23/238–243, 249, 255, 257

CPC E03C 1/04; E03C 1/0401; E03C 1/0402;

E03C 1/0404; Y10T 137/9464

See application file for complete search history.

(56) **References Cited**

U.S. PATENT DOCUMENTS

D581,030 S	*	11/2008	Fritz	D23/255
D586,429 S	*	2/2009	Fritz	D23/238
D717,402 S	*	11/2014	Fritz	D23/238
D790,667 S	*	6/2017	Schaubach	D23/252
D790,670 S	*	6/2017	Downey	D23/255

OTHER PUBLICATIONS

BWE Waterfall Spout Lavatory Faucet, Amazon, First Available Mar. 11, 2015, [Visited Online Mar. 21, 2019], <https://www.amazon.com/Aquafaucet-Waterfall-Bathroom-Lavatory-Commercial/dp/B072JT3K6G> (Year: 2015).*

BWE Waterfall Bathroom Vessel Sink Faucet Single Handle One Hole Lavatory Oil Rubbed Bronze Tall Body, Date First Available Dec. 7, 2016, [Visited Online May 16, 2019] https://www.amazon.com/BWE-Waterfall-Bathroom-Vessel-Lavatory/dp/B01NCJ80EA/ref=pd_day0_hl_60_4/143-5672237-2678107?_encoding=UTF8&pd_rd_i=B01NC.*

BWE Waterfall Spout Oil Rubbed Bronze Bathroom Sink Faucet Tall Body, First Available Mar. 11, 2015, Visited Online May 16, 2019, https://www.amazon.com/Aquafaucet-Waterfall-Bathroom-Lavatory-Commercial/dp/B072JT3K6G/ref=pd_day0_hl_60_2/143-5672237-2678107?_encoding=UTF8&pd_rd_i=B072JT3K6G&pd_rd_r=91b26f06-77ca-11e9-a96.*

* cited by examiner

Primary Examiner — Eric L Goodman

Assistant Examiner — Amy C Wierenga

(74) *Attorney, Agent, or Firm* — Raymond Y. Chan; David and Raymond Patent Firm

(57) **CLAIM**

The ornamental design for a faucet, as shown and described.

DESCRIPTION

FIG. 1 is a perspective view of the faucet showing my new design;

FIG. 2 is a left view thereof;

FIG. 3 is a right view thereof;

FIG. 4 is a front view thereof;

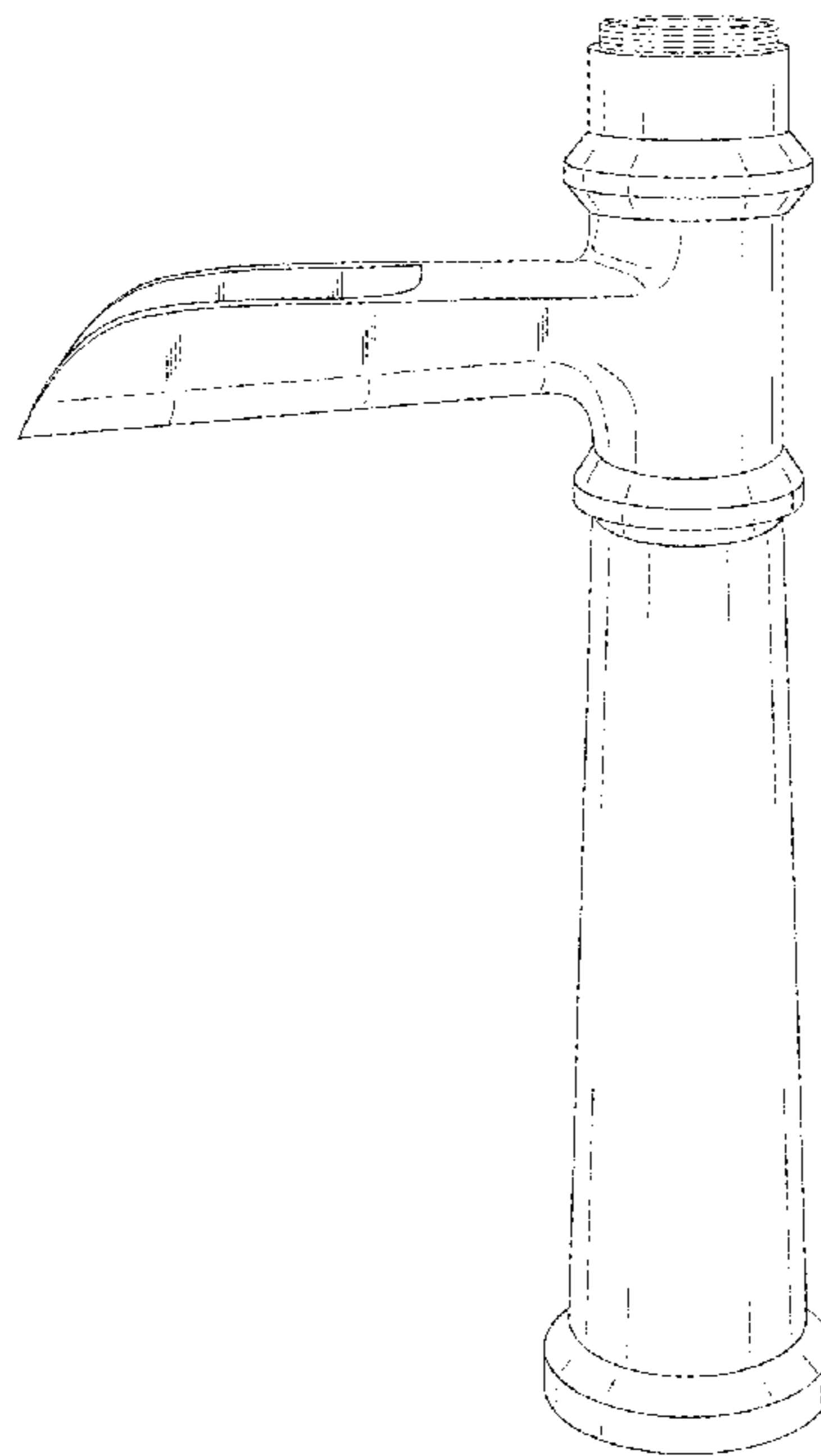
FIG. 5 is a rear view thereof;

FIG. 6 is a top perspective view thereof; and,

FIG. 7 is a bottom perspective view thereof.

The dashed broken lines depict portions of the faucet that form no part of the claim.

1 Claim, 7 Drawing Sheets



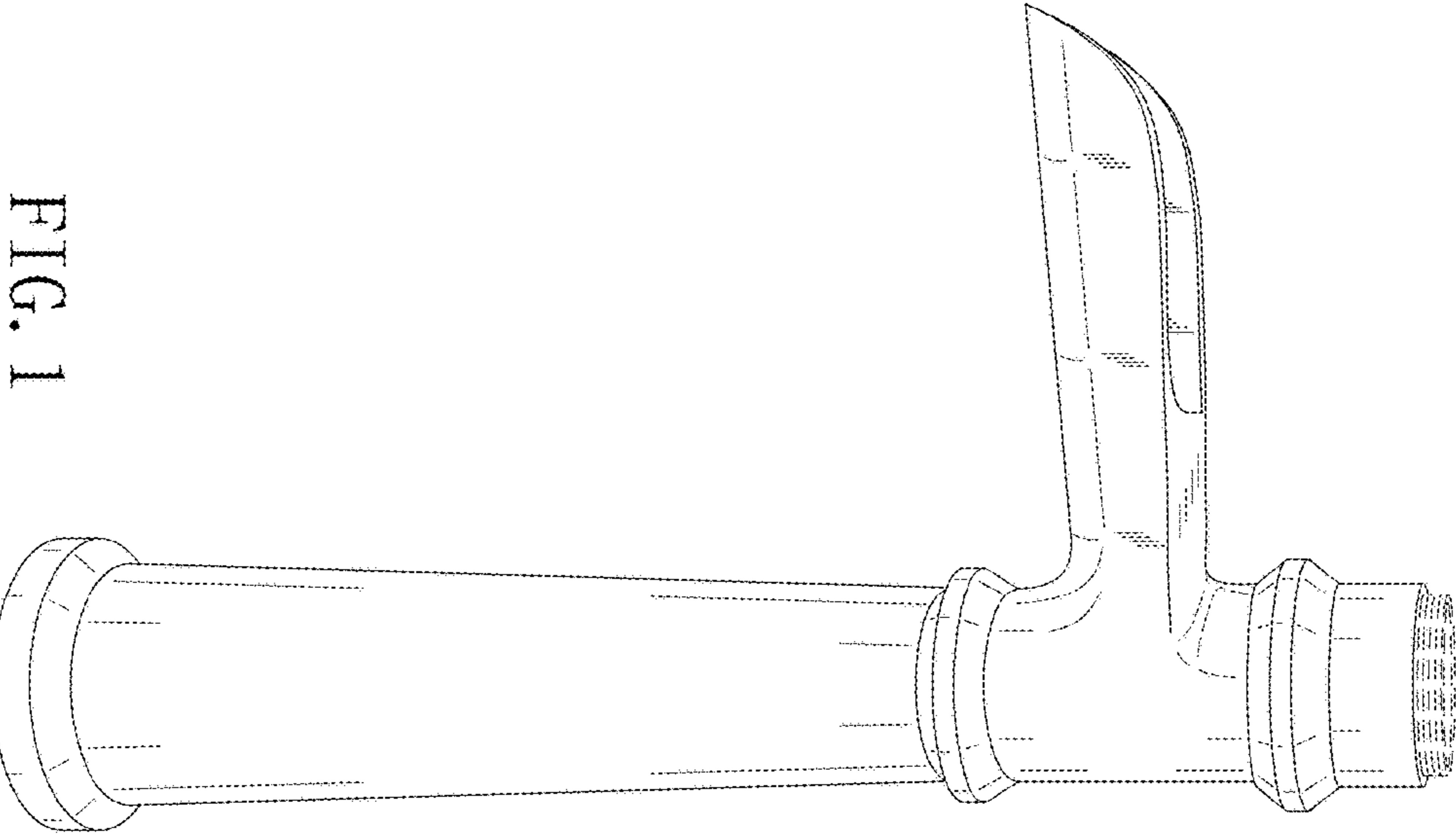


FIG. 1

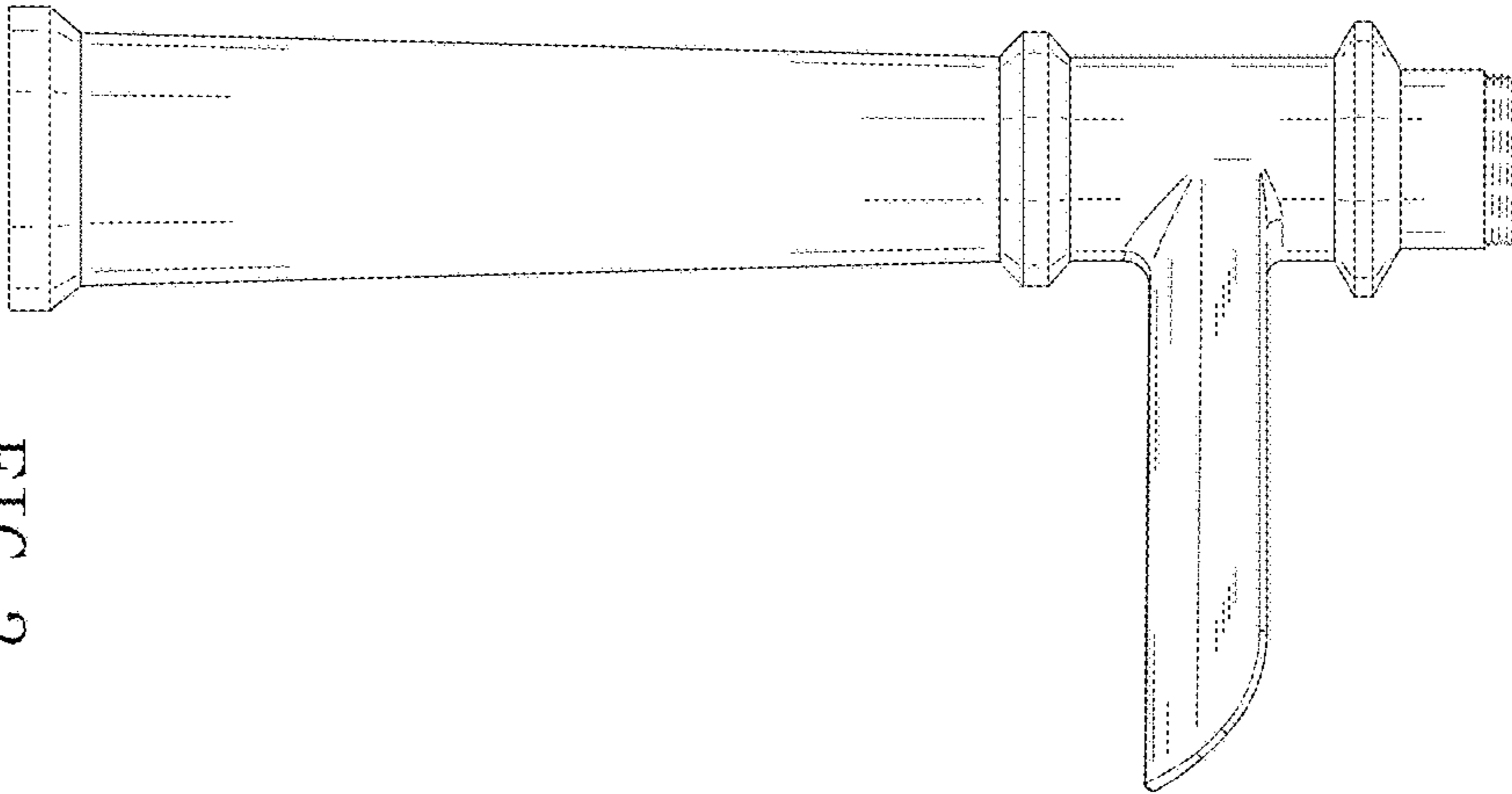
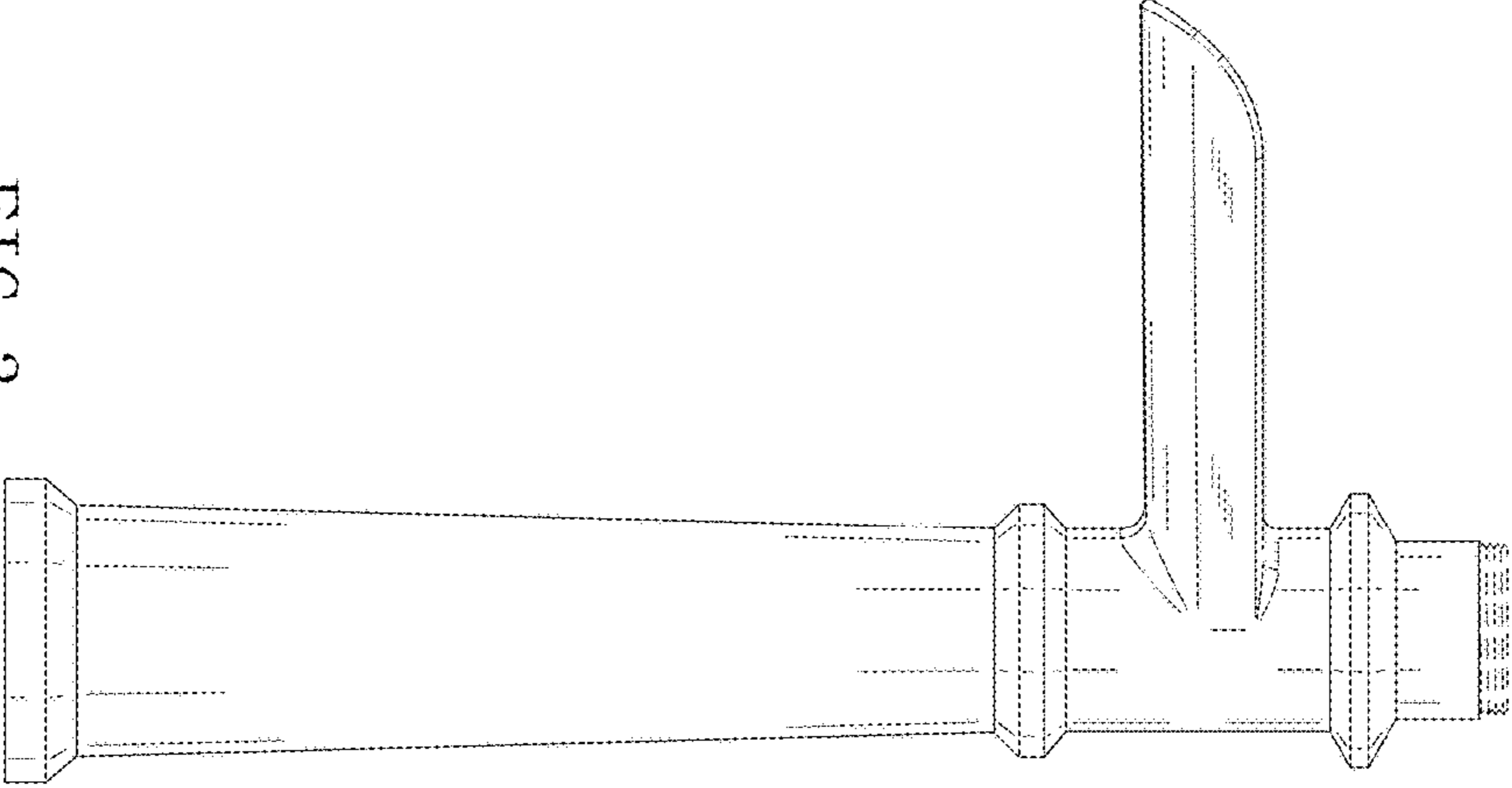


FIG. 2

FIG. 3



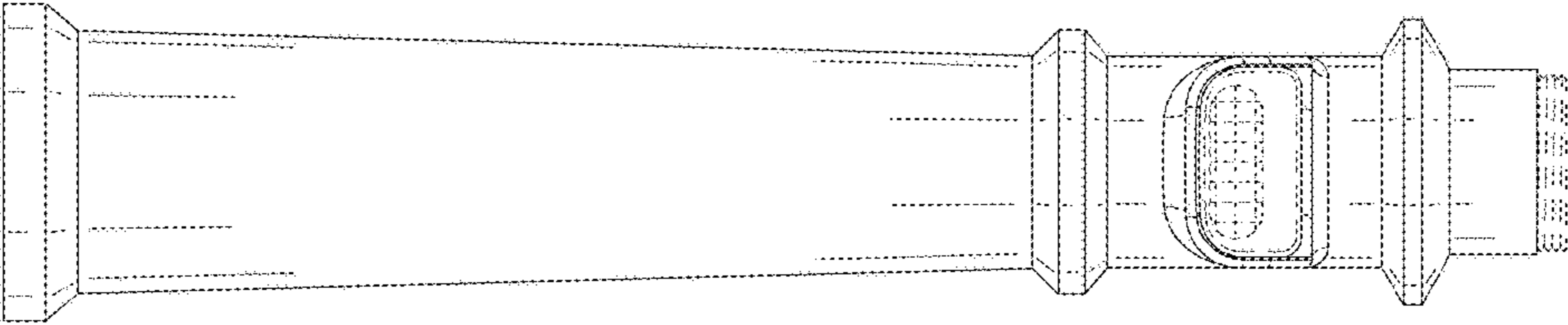


FIG. 4

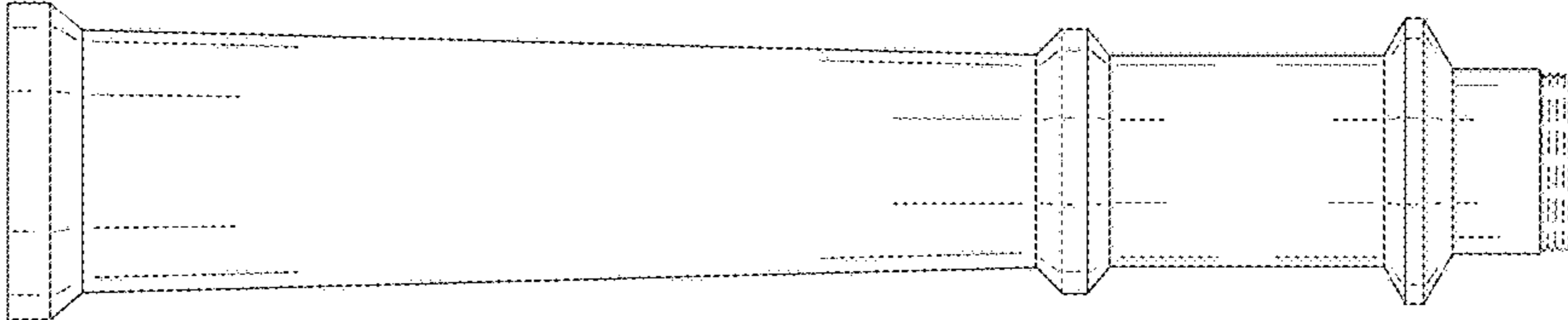


FIG. 5

FIG. 6

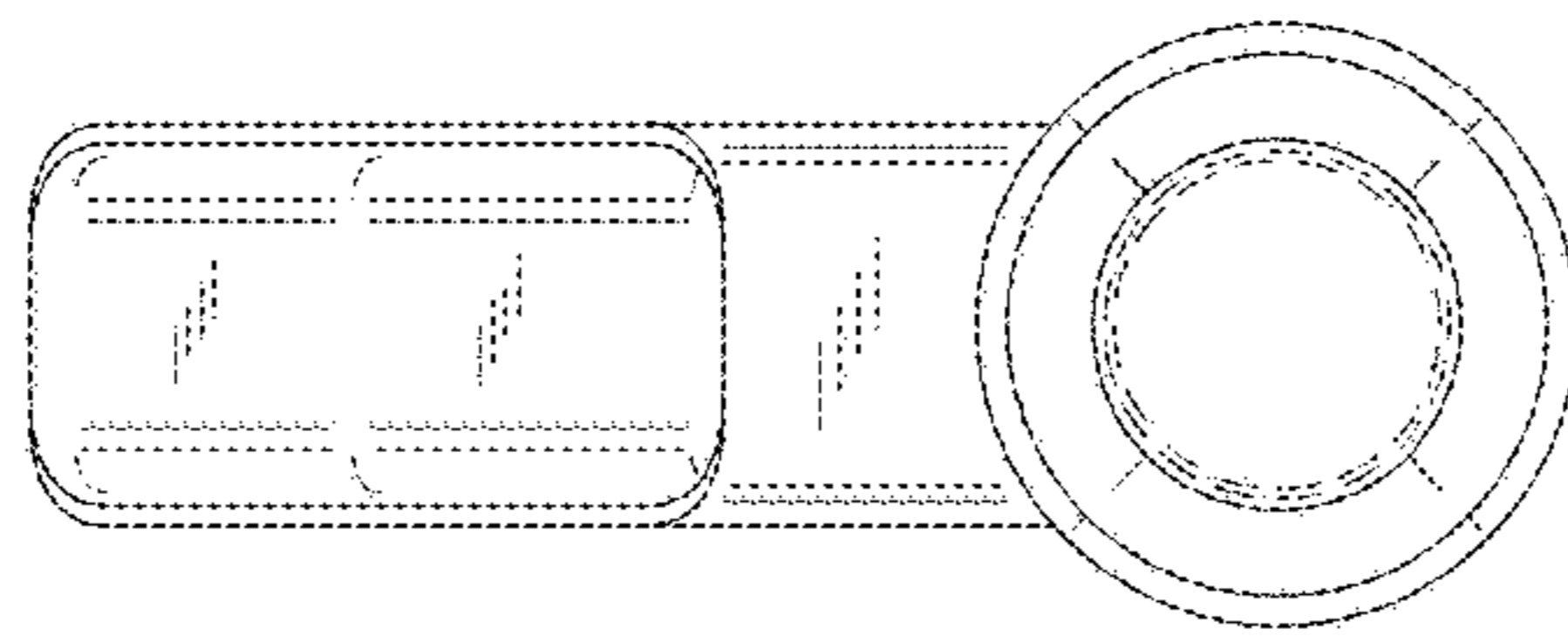


FIG. 7

