



US00D861132S

(12) **United States Design Patent**
Staggemeier et al.

(10) **Patent No.:** **US D861,132 S**

(45) **Date of Patent:** **** Sep. 24, 2019**

(54) **REGULATOR**

(71) Applicant: **EMPCO, LLC**, San Antonio, TX (US)

(72) Inventors: **Karl Staggemeier**, Huntington Beach, CA (US); **John P. Cole**, Garden Grove, CA (US); **Bruno Balocco**, Long Beach, CA (US)

(73) Assignee: **EMPCO, LLC**, San Antonio, TX (US)

(**) Term: **15 Years**

(21) Appl. No.: **29/640,083**

(22) Filed: **Mar. 12, 2018**

(51) **LOC (12) Cl.** **23-01**

(52) **U.S. Cl.**
USPC **D23/235**

(58) **Field of Classification Search**
USPC D23/233, 235, 237, 241-249; 251/331, 251/129.17, 175, 5
CPC F16K 17/04; F16K 17/0433; F16K 17/085; F16K 3/34; F16K 15/026; F16K 39/024
See application file for complete search history.

(56) **References Cited**

U.S. PATENT DOCUMENTS

D213,104 S * 1/1969 Townsend D23/233
D348,721 S * 7/1994 Nagel D23/233
D458,986 S * 6/2002 Doki D23/235

9,404,515 B2 * 8/2016 Esposito F15B 15/202
D805,603 S * 12/2017 Hauth D23/233
D830,519 S * 10/2018 Ben Yaacov D23/248
D835,240 S * 12/2018 Ben Yaacov D23/248
D835,241 S * 12/2018 Dietzen D23/259

* cited by examiner

Primary Examiner — Cynthia Ramirez

Assistant Examiner — Gino Colan

(74) *Attorney, Agent, or Firm* — William H. Quirk; Jesse Frizzell; Rosenthal Pauerstein Sandoloski Agather LLP

(57) **CLAIM**

The ornamental design for a regulator, as shown and described.

DESCRIPTION

FIG. 1 is a perspective view of the regulator in accordance with the present design.

FIG. 2 is a top plan view of the regulator of FIG. 1.

FIG. 3 is a bottom plan view of the regulator of FIG. 1.

FIG. 4 is a front elevational view of the regulator of FIG. 1.

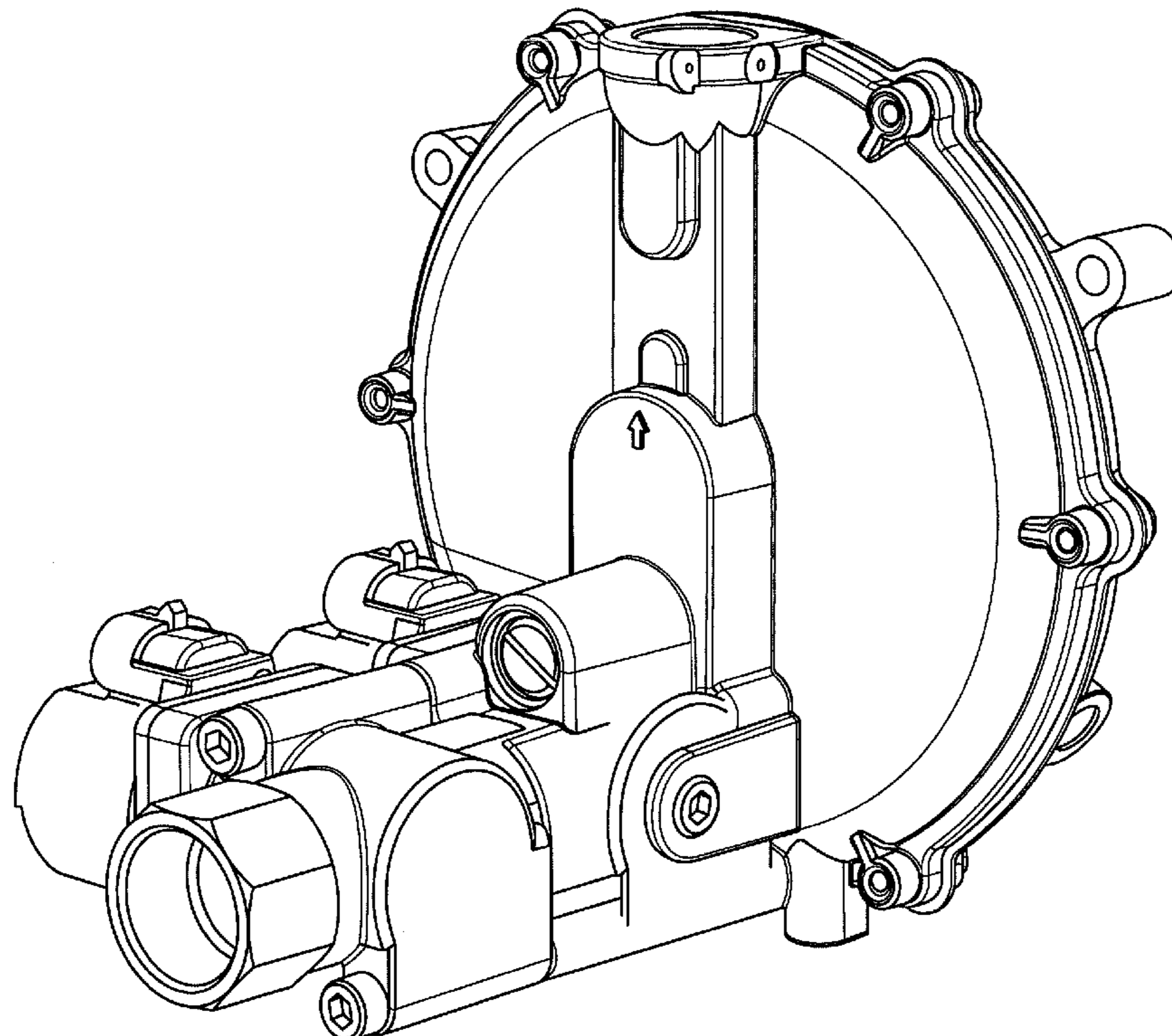
FIG. 5 is a rear elevational view of the regulator of FIG. 1.

FIG. 6 is a right side elevational view of the regulator of FIG. 1; and,

FIG. 7 is a left side elevational view of the regulator of FIG. 1.

The broken lines shown in the figures are included for purpose of illustrating portions of the regulator and form no part of the claimed design.

1 Claim, 7 Drawing Sheets



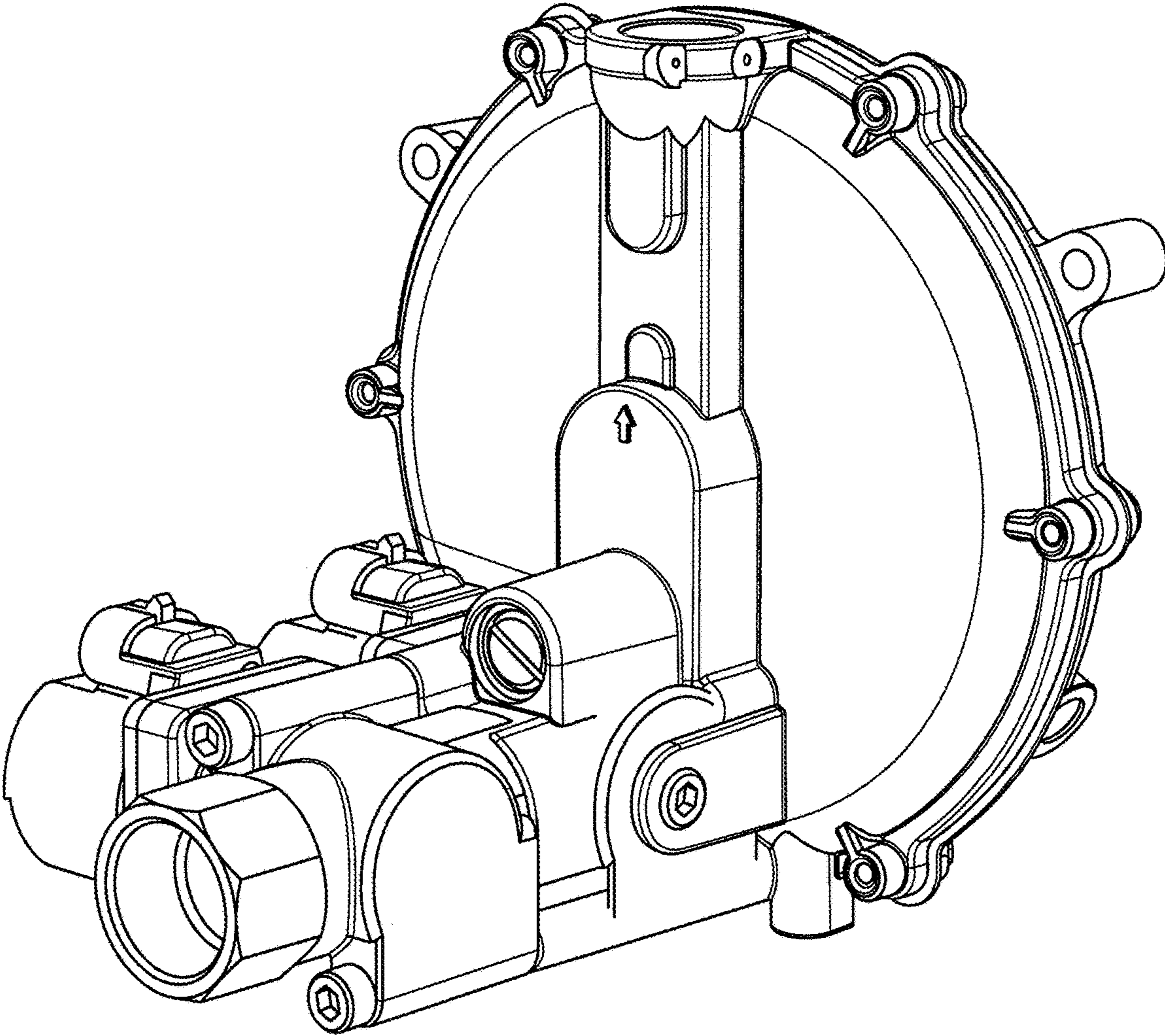


FIG. 1

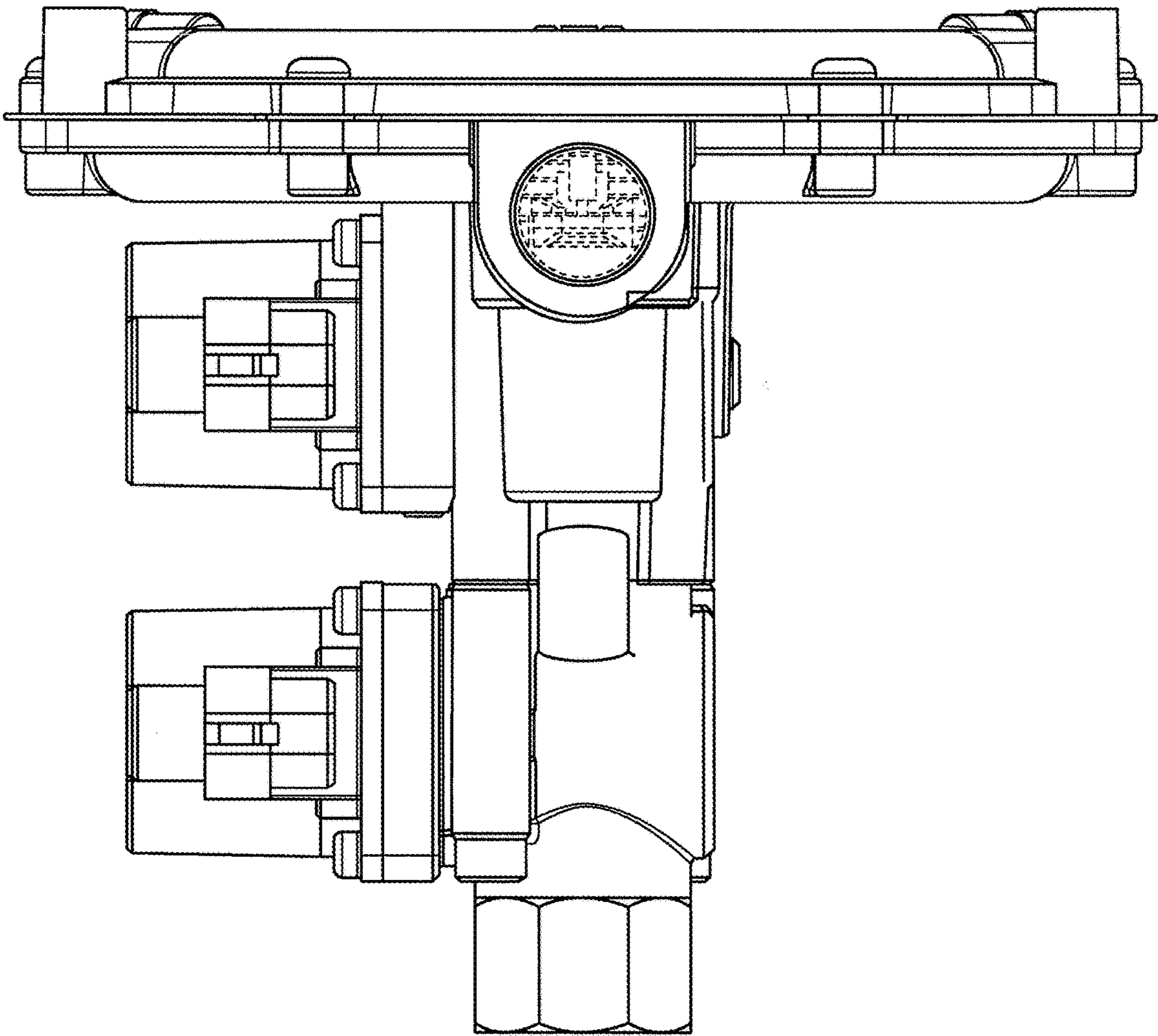


FIG. 2

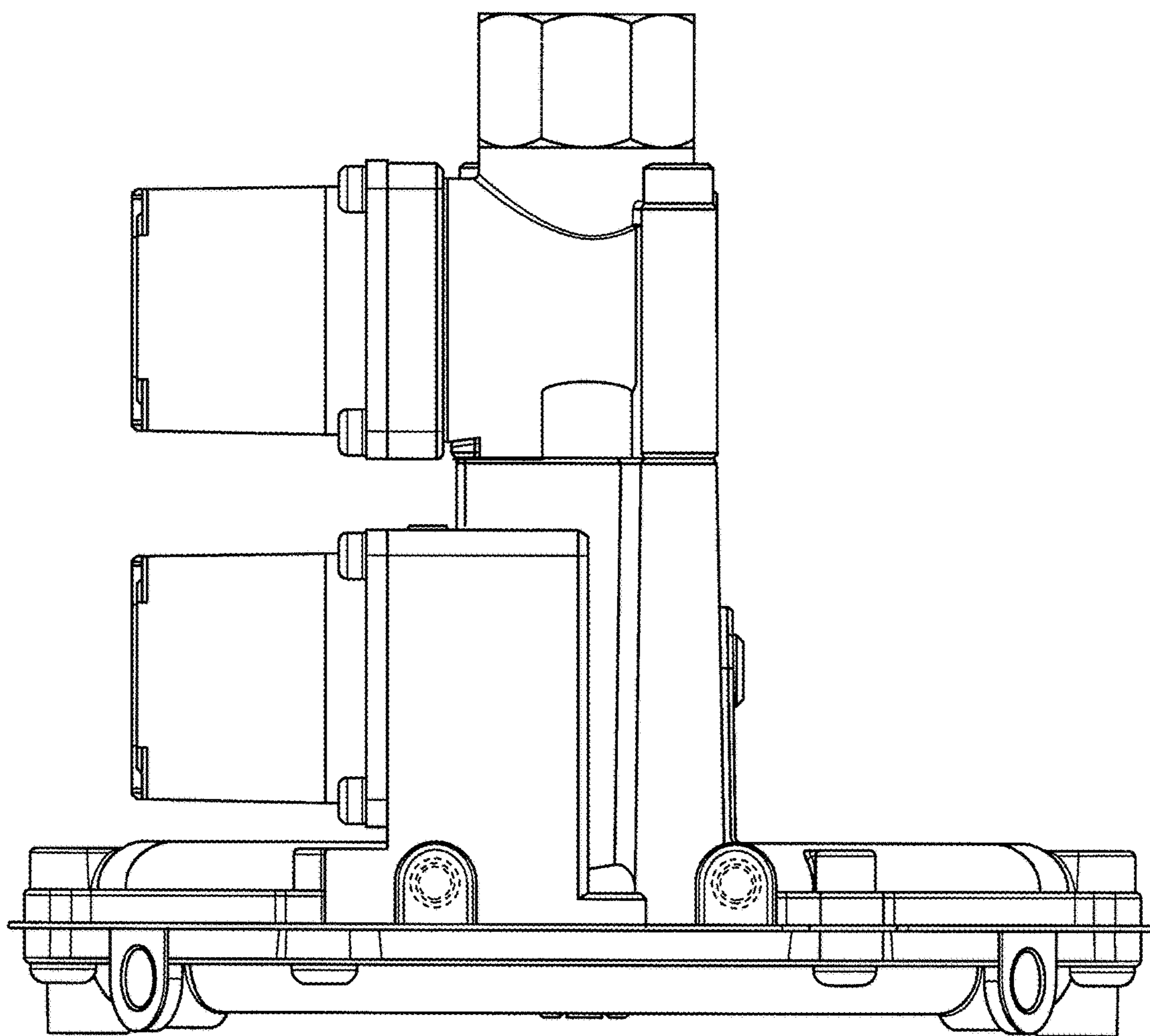


FIG. 3

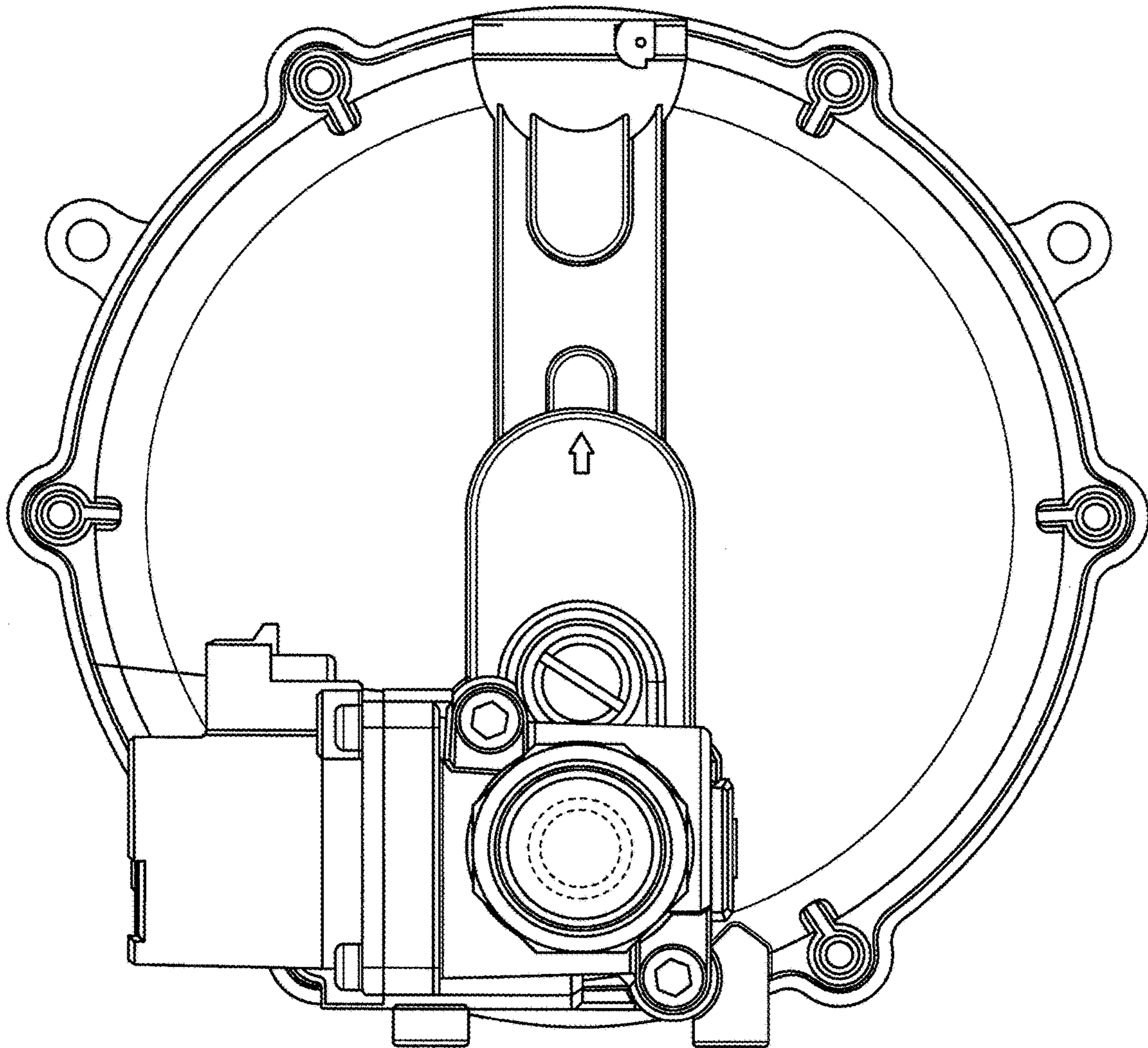


FIG. 4

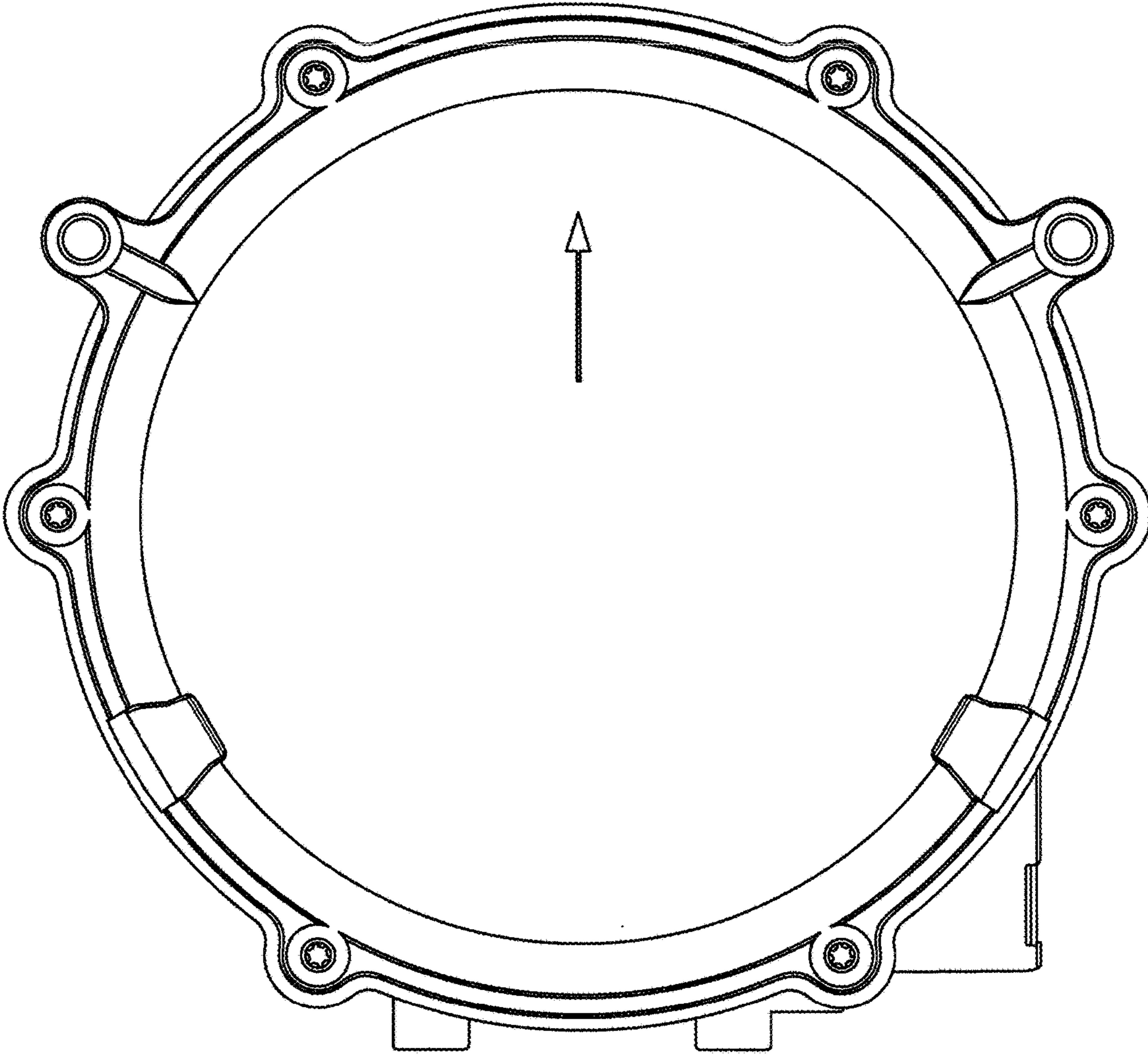


FIG. 5

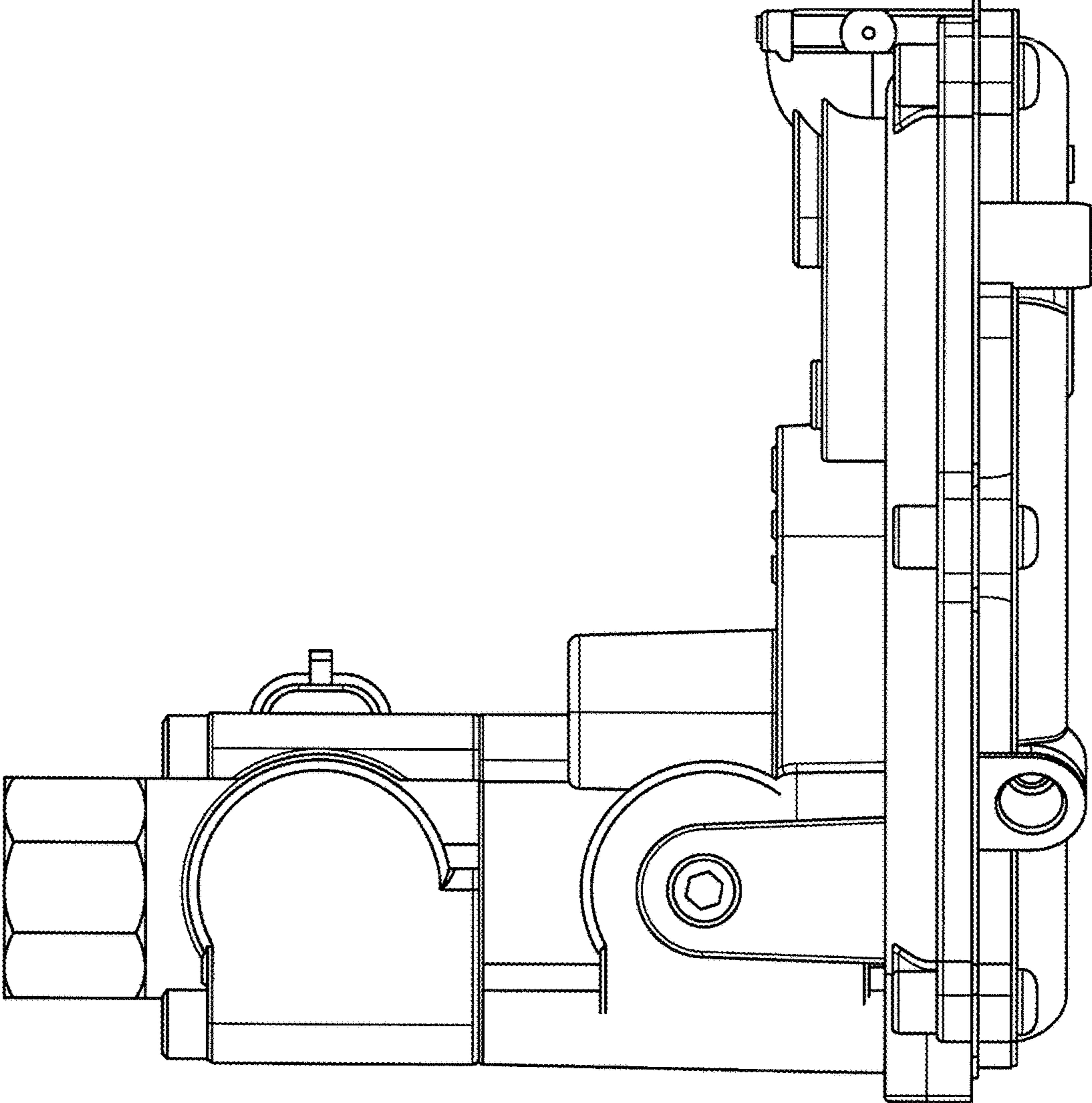


FIG. 6

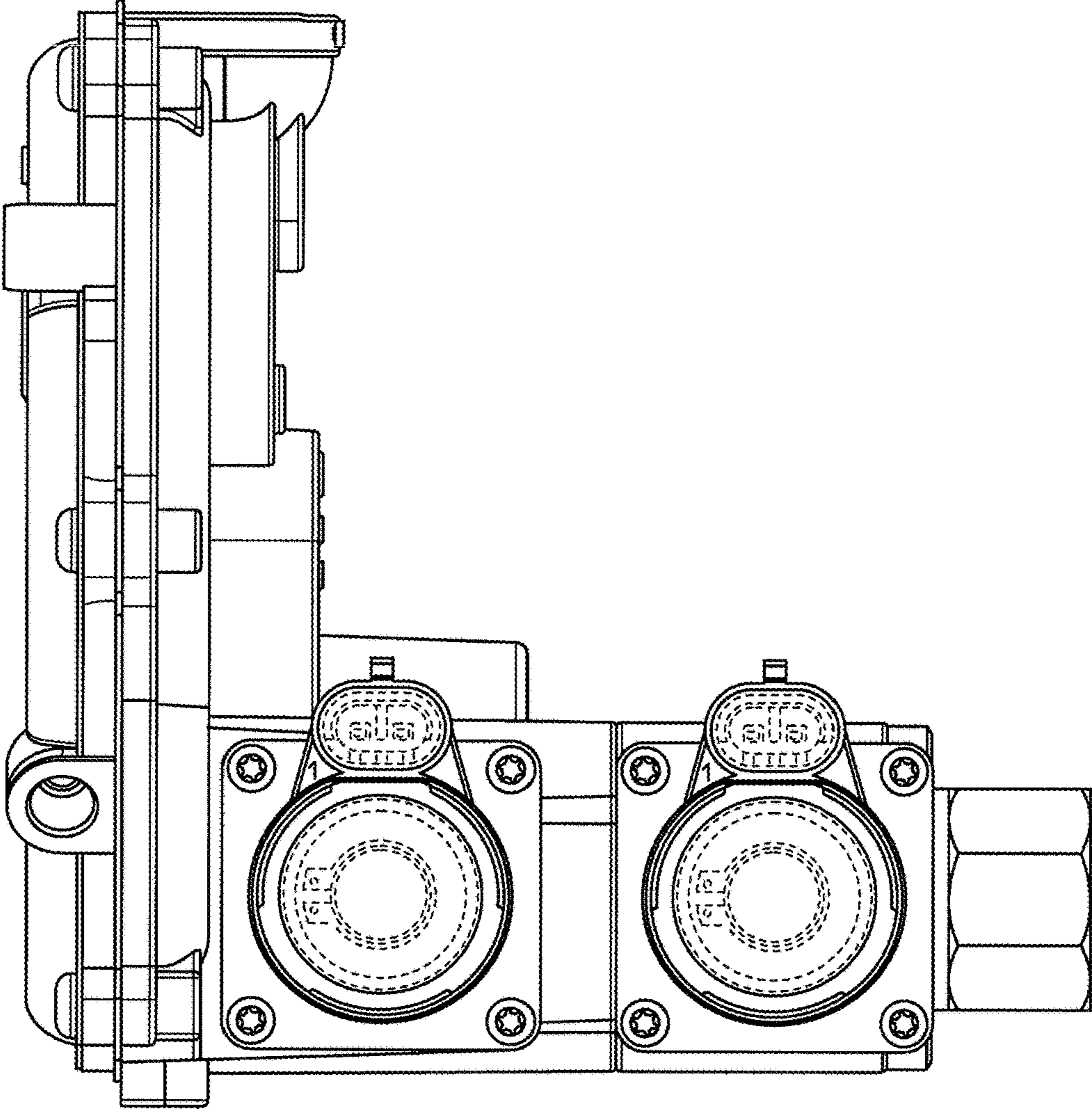


FIG. 7