



US00D861130S

(12) **United States Design Patent**
Carls et al.

(10) **Patent No.:** **US D861,130 S**

(45) **Date of Patent:** **** Sep. 24, 2019**

(54) **SPRAY GUN FOR PAINT**

(71) Applicant: **DÜRR SYSTEMS AG,**
Bietigheim-Bissingen (DE)

(72) Inventors: **Alexander Carls,** Herrenberg (DE);
Hermann Wacker, Heilbronn (DE)

(**) Term: **15 Years**

(21) Appl. No.: **35/504,542**

(22) Filed: **Feb. 16, 2018**

(80) **Hague Agreement Data**

Int. Filing Date: **Feb. 16, 2018**

Int. Reg. No.: **DM/099909**

Int. Reg. Date: **Feb. 16, 2018**

Int. Reg. Pub. Date: **Mar. 9, 2018**

(30) **Foreign Application Priority Data**

Aug. 18, 2017 (EM) 004153450

(51) **LOC (12) Cl.** **23-01**

(52) **U.S. Cl.**
USPC **D23/226**

(58) **Field of Classification Search**

USPC D23/213, 223, 226
CPC B05B 1/00; B05B 9/01; B05B 9/03; B05B
1/005; B05B 5/1691; B05B 5/043; B05B
5/025; B05B 7/02

See application file for complete search history.

(56) **References Cited**

U.S. PATENT DOCUMENTS

D405,503 S * 2/1999 Endo D23/226
D575,374 S * 8/2008 Huang D23/226

D607,086 S * 12/2009 Kosaka D23/226
D672,012 S * 12/2012 Brose D23/226
D704,300 S * 5/2014 Li D23/225
D757,216 S * 5/2016 Gehrung D23/225
D768,820 S * 10/2016 Binz D23/226
D770,593 S * 11/2016 Gehrung D23/226
D778,405 S * 2/2017 Wang D23/226
D780,892 S * 3/2017 Carlson D23/226
D785,754 S * 5/2017 Pfander D23/226
D785,755 S * 5/2017 Pfander D23/226
D794,755 S * 8/2017 Wang D23/226
D798,419 S * 9/2017 Gehrung D23/226
D803,353 S * 11/2017 Negri D23/226
D803,354 S * 11/2017 Negri D23/226
D812,718 S * 3/2018 Kosaka D23/226
D816,800 S * 5/2018 Tarter Garro D23/225
D821,545 S * 6/2018 Gehrung D23/226
D835,235 S * 12/2018 Gehrung D23/226

* cited by examiner

Primary Examiner — Richard E Chilcot

(57) **CLAIM**

The ornamental design for a spray gun for paint, as shown and described.

DESCRIPTION

1. Spray gun for paint

FIG. 1.1 is a first perspective view of a paint spray gun according to the present invention;

FIG. 1.2 is a top view of the paint spray gun of FIG. 1.1;

FIG. 1.3 is a bottom view of the paint spray gun of FIG. 1.1;

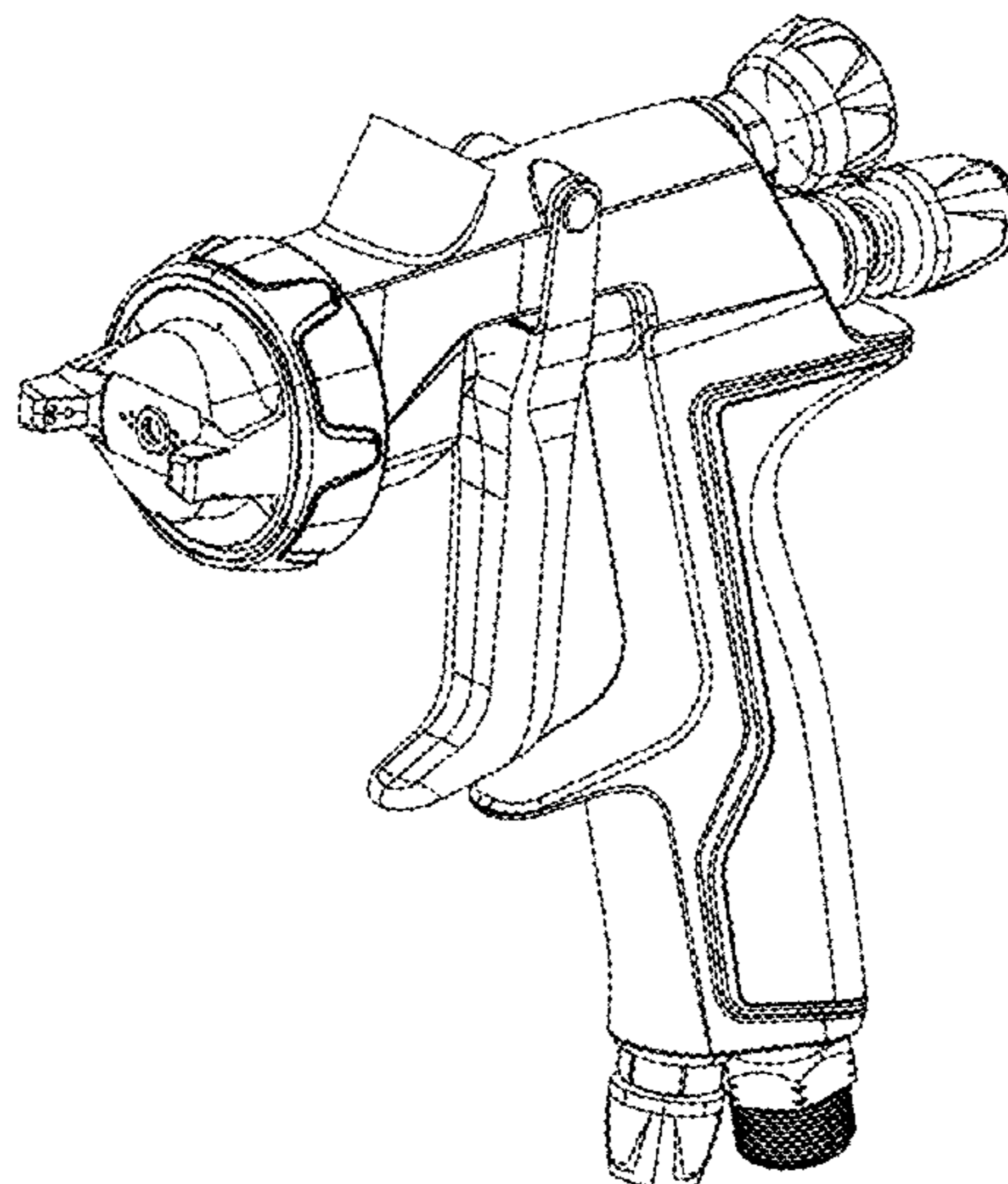
FIG. 1.4 is a first side view of the paint spray gun of FIG. 1.1;

FIG. 1.5 is a second side view of the paint spray gun of FIG. 1.1;

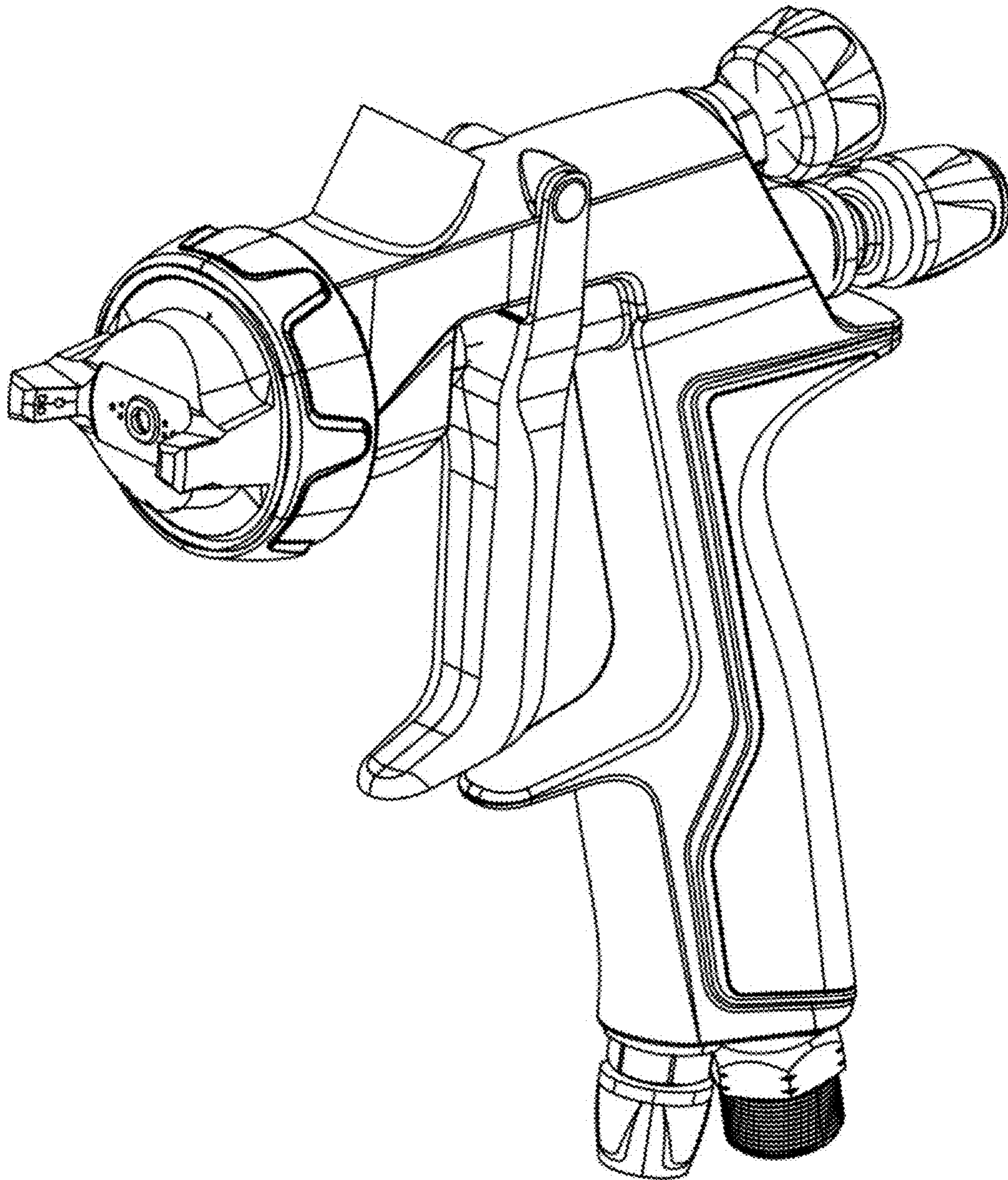
FIG. 1.6 is a back view of the paint spray gun of FIG. 1.1; and,

FIG. 1.7 is a front view of the paint spray gun of FIG. 1.1.

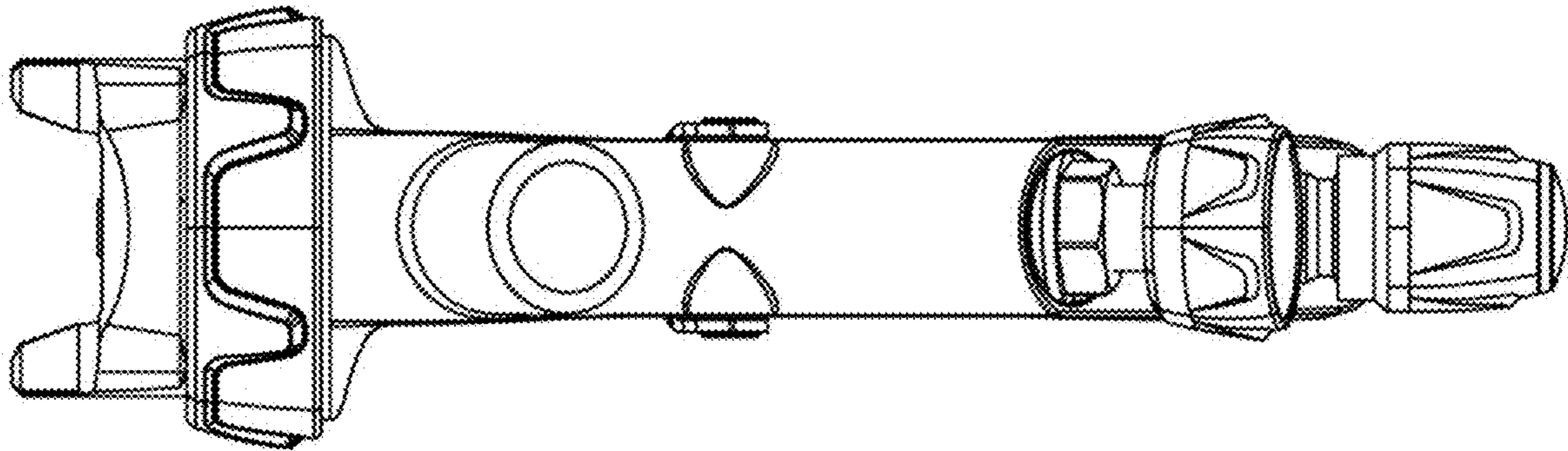
1 Claim, 7 Drawing Sheets



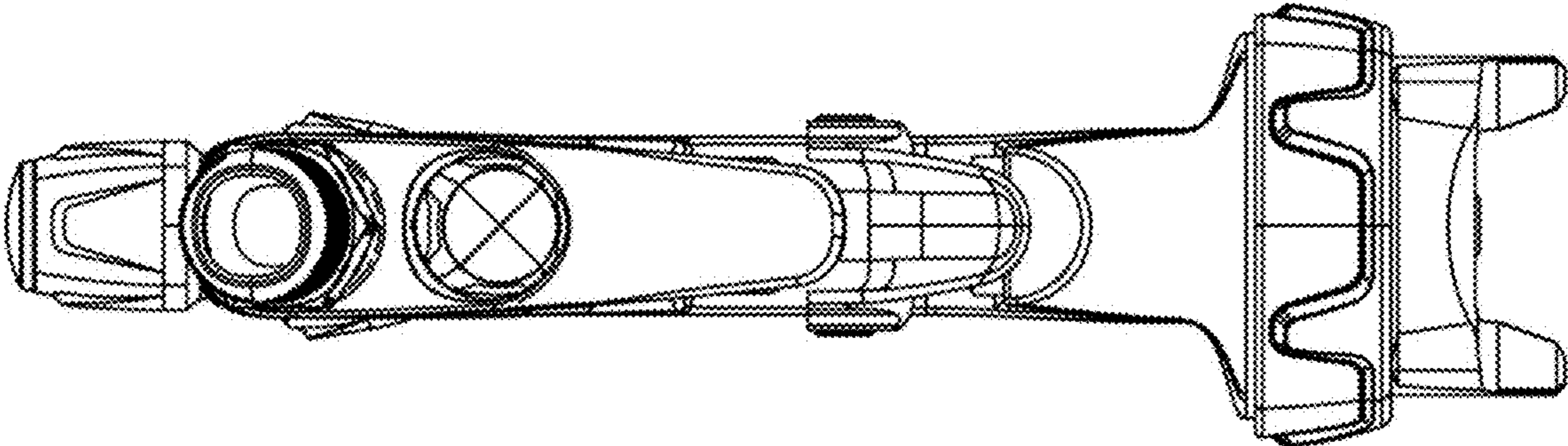
1.1



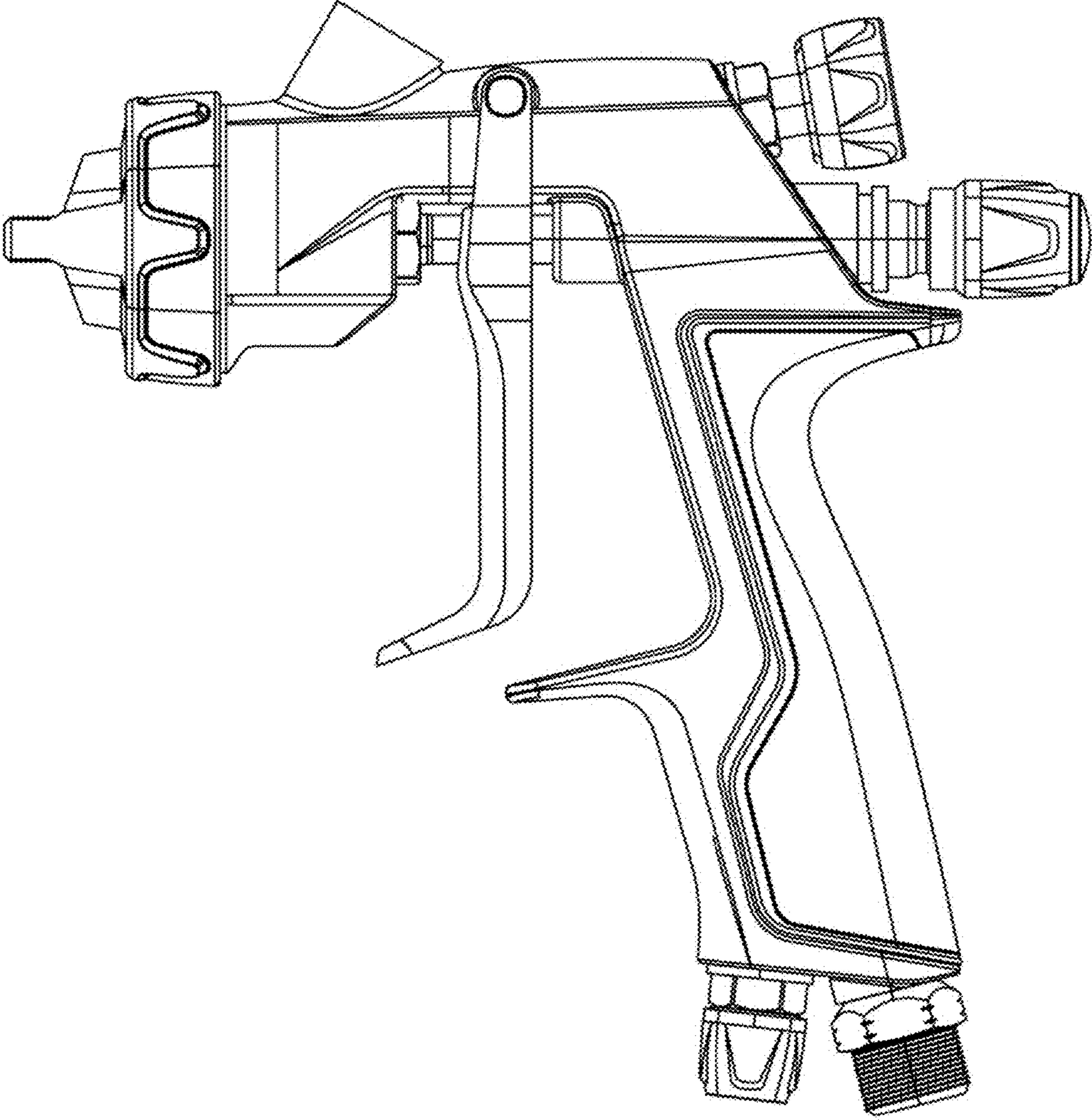
1.2



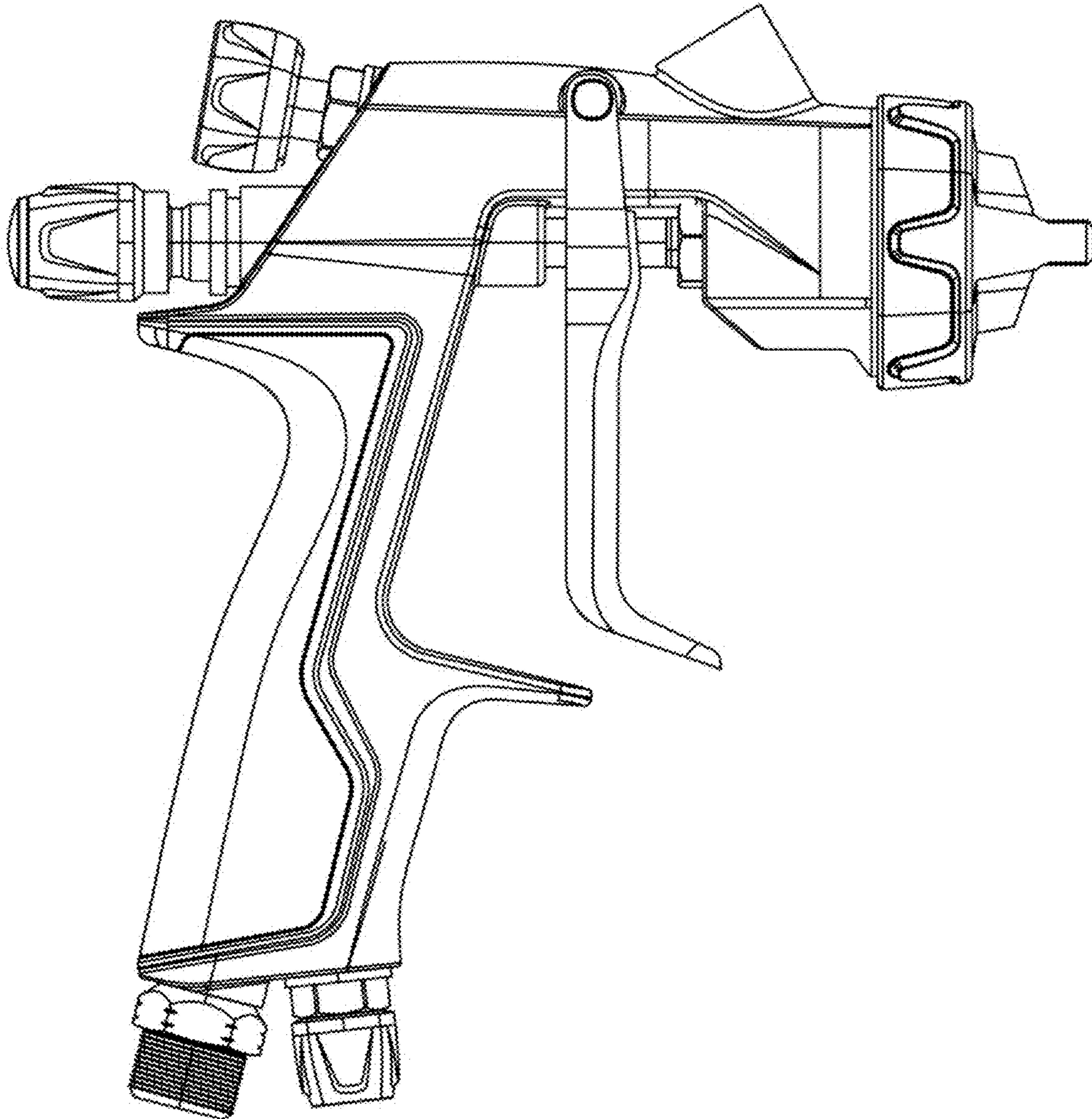
1.3



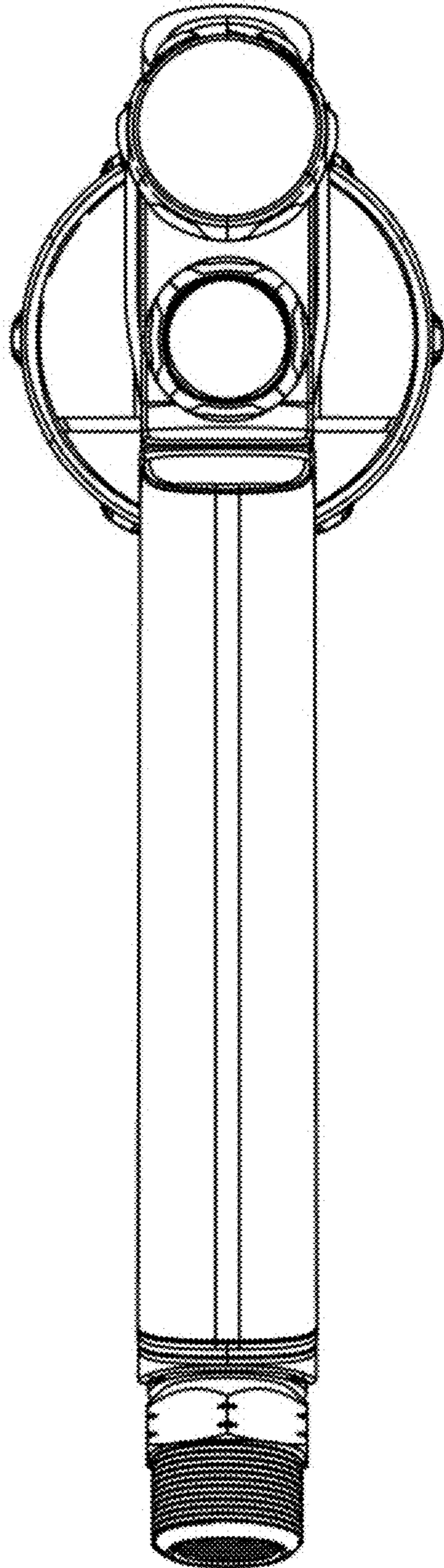
1.4



1.5



1.6



1.7

