

US00D861129S

(12) **United States Design Patent** (10) **Patent No.:** **US D861,129 S**  
**Logar** (45) **Date of Patent:** **\*\* Sep. 24, 2019**

(54) **SHOWERHEAD FACE**  
(71) Applicant: **Andrew B. Logar**, Willowick, OH (US)  
(72) Inventor: **Andrew B. Logar**, Willowick, OH (US)  
(73) Assignee: **Waxman Consumer Products Group Inc.**, Bedford Heights, OH (US)  
(\*\*) Term: **15 Years**

D737,932 S \* 9/2015 Nikles ..... D23/223  
D743,507 S \* 11/2015 Georgeson ..... D23/252  
D746,955 S \* 1/2016 Corder ..... D23/261  
D752,711 S \* 3/2016 Georgeson ..... D23/213  
9,387,495 B2 \* 7/2016 Schumacher ..... B05B 1/30  
D778,404 S \* 2/2017 Schoenherr ..... D23/223  
D779,038 S \* 2/2017 Hanna ..... D23/223  
D779,039 S \* 2/2017 Hanna ..... D23/223  
D801,475 S \* 10/2017 Naslund ..... D23/213  
D803,350 S \* 11/2017 Tian ..... D23/213  
D808,499 S \* 1/2018 Naslund ..... D23/213  
D809,094 S \* 1/2018 Naslund ..... D23/213  
D810,233 S \* 2/2018 Winter ..... D23/213  
D810,861 S \* 2/2018 Weaver ..... D23/213

(Continued)

(21) Appl. No.: **29/647,269**

(22) Filed: **May 11, 2018**

(51) **LOC (12) Cl.** ..... **23-01**

(52) **U.S. Cl.**  
USPC ..... **D23/213; D23/223**

(58) **Field of Classification Search**  
USPC ..... D23/213, 214, 215, 223, 224, 226, 229,  
D23/230

CPC ..... A61H 9/0021; A61H 33/00; B05B 1/00;  
B05B 1/14; B05B 1/185; B05B 1/08;  
B05B 1/02; B05B 1/26; B05B 12/002;  
B05B 1/18; B05B 9/01

See application file for complete search history.

(56) **References Cited**

**U.S. PATENT DOCUMENTS**

D487,498 S \* 3/2004 Blomstrom ..... D23/213  
D508,730 S \* 8/2005 Blomstrom ..... D23/229  
D524,412 S \* 7/2006 Blomstrom ..... D23/229  
D680,619 S \* 4/2013 Zhadanov ..... D23/223  
D681,776 S \* 5/2013 Cutler ..... D23/223  
D694,357 S \* 11/2013 Brodey ..... D23/213  
D694,359 S \* 11/2013 Schoenherr ..... D23/213  
D707,330 S \* 6/2014 Schoenherr ..... D23/223  
D713,004 S \* 9/2014 Schoenherr ..... D23/223  
D713,496 S \* 9/2014 Schoenherr ..... D23/213  
D718,418 S \* 11/2014 Georgeson ..... D23/213  
D730,493 S \* 5/2015 Sehl ..... D23/261  
D733,258 S \* 6/2015 Sandee ..... D23/223  
D737,931 S \* 9/2015 Schoenherr ..... D23/223

**OTHER PUBLICATIONS**

[https://www.amazon.com/6-Spray-Shower-Showerhead-Combo-Chrome/dp/B07FF7ZVF1/ref=sr\\_1\\_fknull\\_1?keywords=Glacier+Bay+6-Spray+Hand+Shower+and+Showerhead+Combo+Kit+in+Cchrome&qid=1556544901&s=gateway&sr=8-1-fknull](https://www.amazon.com/6-Spray-Shower-Showerhead-Combo-Chrome/dp/B07FF7ZVF1/ref=sr_1_fknull_1?keywords=Glacier+Bay+6-Spray+Hand+Shower+and+Showerhead+Combo+Kit+in+Cchrome&qid=1556544901&s=gateway&sr=8-1-fknull) (Year: 2019).\*

*Primary Examiner* — Manpreet S Matharu  
*Assistant Examiner* — Keith J Wilson  
(74) *Attorney, Agent, or Firm* — Fay Sharpe LLP

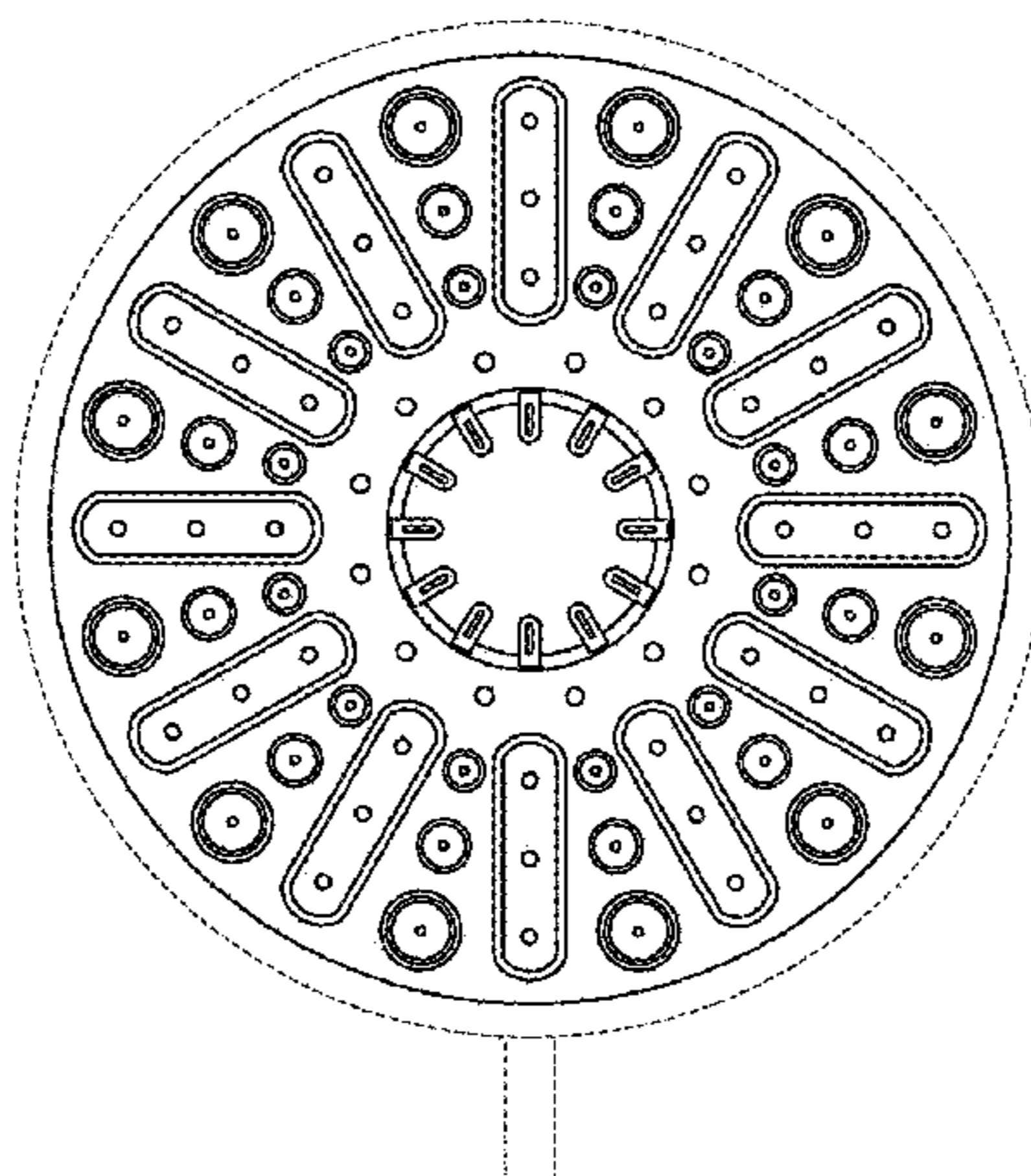
(57) **CLAIM**

The ornamental design for a showerhead face, as shown and described.

**DESCRIPTION**

FIG. 1 is a perspective view of a showerhead face showing my new design;  
FIG. 2 is a front elevational view of the showerhead face; and,  
FIG. 3 is a right side elevational view of the showerhead face.  
The broken line shown in the figures are for the purposes of illustrating environment and form no part of the claimed design.

**1 Claim, 2 Drawing Sheets**



(56)

**References Cited**

U.S. PATENT DOCUMENTS

D811,524 S *	2/2018	Bossini .....	D23/223
D820,388 S *	6/2018	Seum .....	D23/213
D820,949 S *	6/2018	Reinecker .....	D23/213
D821,542 S *	6/2018	Reinecker .....	D23/213
D824,485 S *	7/2018	Montoya .....	D23/213
D833,575 S *	11/2018	Soulier .....	D23/223
D839,384 S *	1/2019	Svendsen .....	D23/213
D840,503 S *	2/2019	Stein .....	D23/213
D841,121 S *	2/2019	Kiefer .....	D23/213
D841,125 S *	2/2019	Lai .....	D23/223
D842,429 S *	3/2019	Huang .....	D23/213
D842,430 S *	3/2019	Huang .....	D23/213
D842,431 S *	3/2019	Cacka .....	D23/213
D842,967 S *	3/2019	Farley .....	D23/213

\* cited by examiner

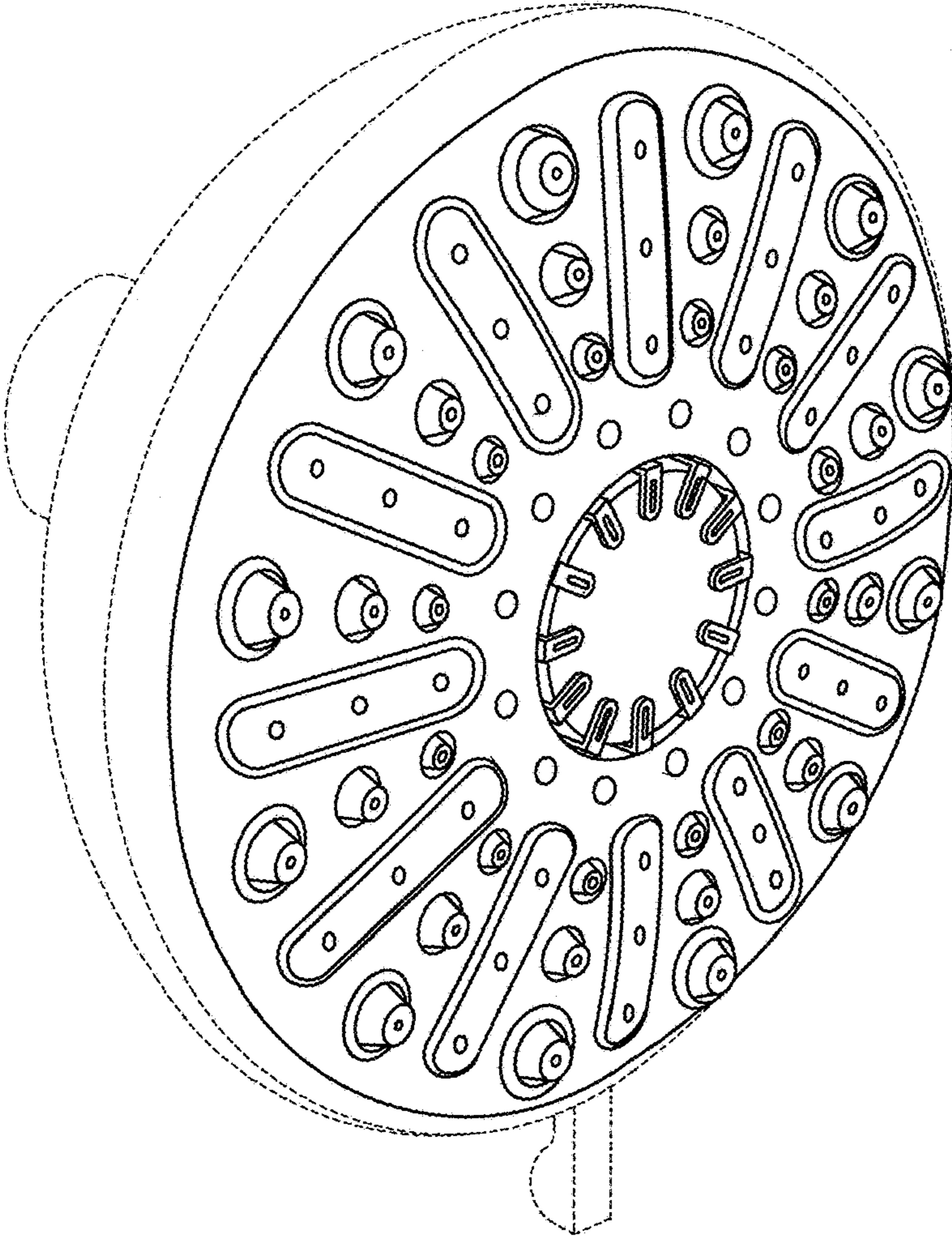


Fig. 1

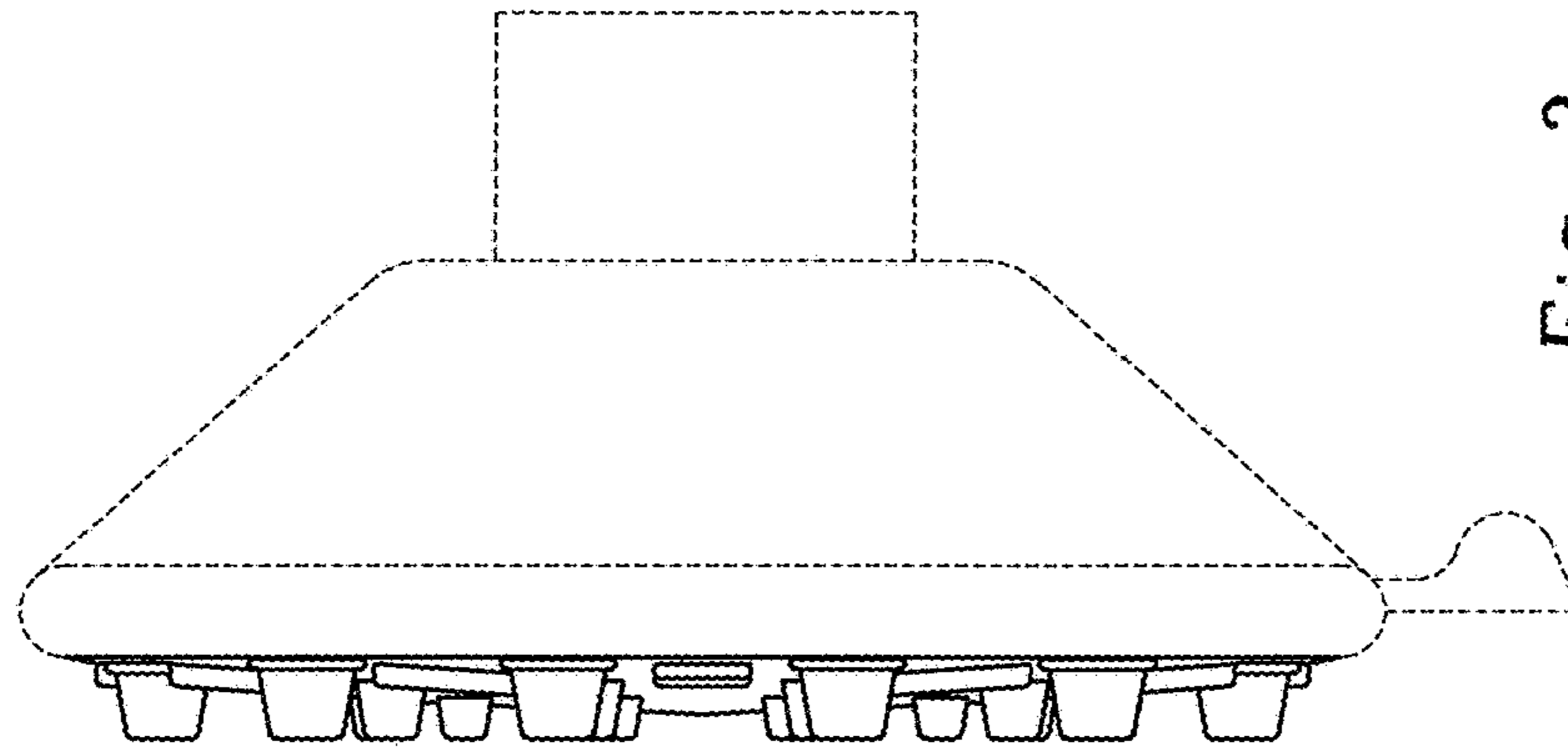


Fig. 3

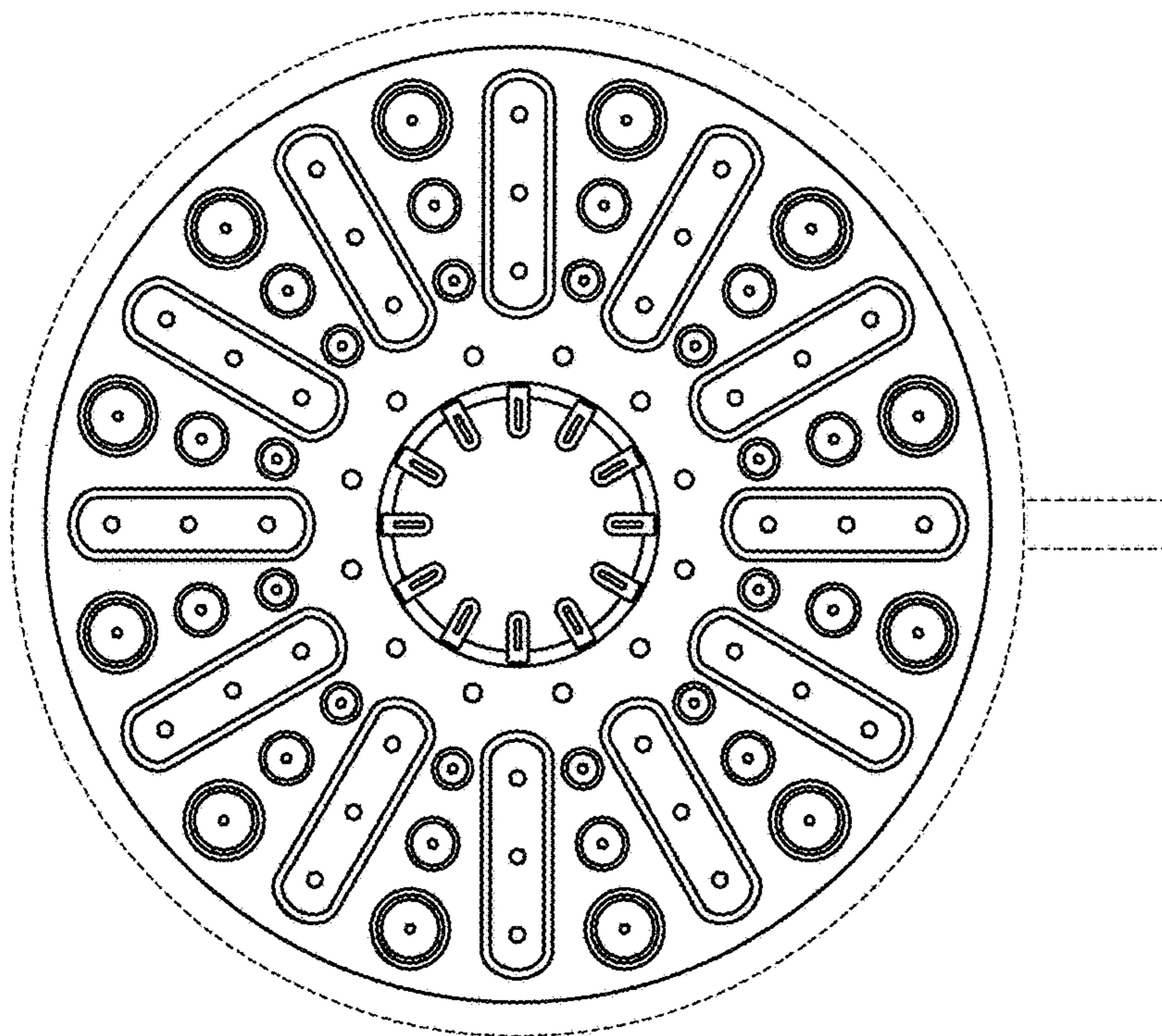


Fig. 2