



US00D861128S

(12) **United States Design Patent** (10) **Patent No.:** **US D861,128 S**
Ye (45) **Date of Patent:** **** Sep. 24, 2019**

(54) **WATER PURIFIER**
(71) Applicant: **Fujian Ospring Science Technology Development Co., Ltd., Fuzhou (CN)**
(72) Inventor: **Wenzhi Ye, Fuzhou (CN)**
(73) Assignee: **FUJIAN OSPRING SCIENCE TECHNOLOGY DEVELOPMENT CO., LTD., Fuzhou (CN)**
(**) Term: **15 Years**
(21) Appl. No.: **29/641,986**
(22) Filed: **Mar. 27, 2018**
(51) **LOC (12) Cl.** **23-01**
(52) **U.S. Cl.**
USPC **D23/209**
(58) **Field of Classification Search**
USPC D23/207, 209
CPC B01D 35/00; B01D 35/04
See application file for complete search history.

6,251,274 B1 * 6/2001 Shepherd B01D 35/04
210/235
D457,596 S * 5/2002 Guzman D23/209
6,797,156 B2 * 9/2004 Chau B01D 35/04
137/549
D529,128 S * 9/2006 Lee D23/209
D542,374 S * 5/2007 Green D23/209
D574,925 S * 8/2008 Morita D23/209
D586,880 S * 2/2009 Gaston D23/209
D635,640 S * 4/2011 Xu D23/209
8,698,333 B2 * 4/2014 Glasser F03B 13/00
290/43
9,004,290 B2 * 4/2015 Tanner C02F 1/003
210/416.3
10,183,871 B2 * 1/2019 Ye B01D 35/046
2005/0035054 A1 * 2/2005 Chu C02F 1/003
210/449
2005/0098485 A1 * 5/2005 Boyd B01D 35/04
210/87
2006/0207920 A1 * 9/2006 Lackey B01D 35/143
210/87

* cited by examiner

Primary Examiner — Kevin K Rudzinski
(74) *Attorney, Agent, or Firm* — Gokalp Bayramoglu

(56) **References Cited**

U.S. PATENT DOCUMENTS

4,147,631 A * 4/1979 Deines B01D 35/043
210/137
D277,305 S * 1/1985 Grube D23/209
D285,958 S * 9/1986 Koizumi D23/209
4,686,037 A * 8/1987 Lang B01D 35/043
210/221.2
4,814,078 A * 3/1989 Stern B01D 35/043
210/282
D311,768 S * 10/1990 Woodruff D23/209
D328,942 S * 8/1992 Igami D23/209
5,192,436 A * 3/1993 Sasaki B01D 35/043
137/562
D358,868 S * 5/1995 Hembree D23/207
D378,850 S * 4/1997 Howe D23/209
5,833,849 A * 11/1998 Primdahl B01D 35/04
210/232
D412,963 S * 8/1999 Nelsen D23/207

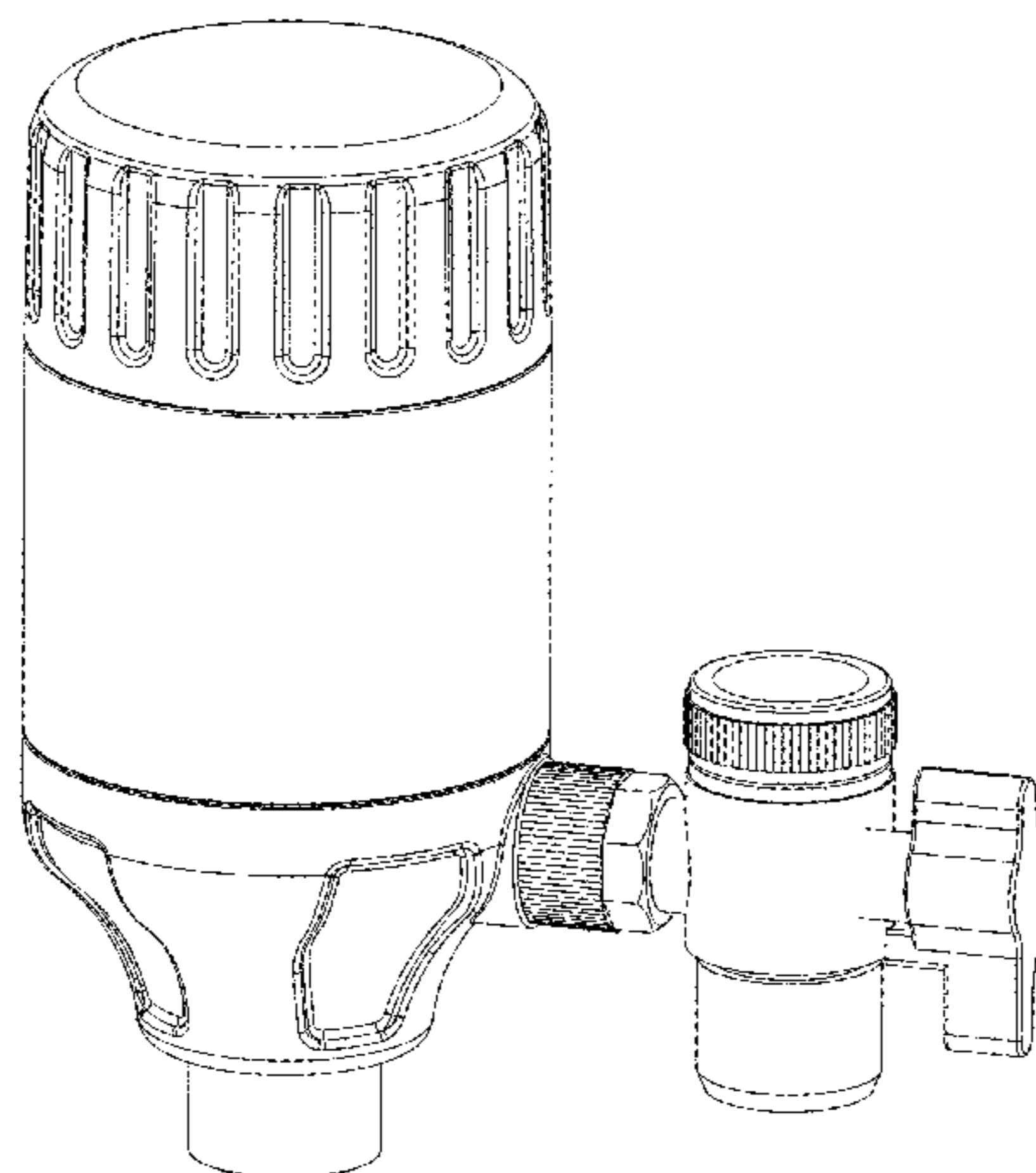
(57) **CLAIM**

The ornamental design for a water purifier, as shown and described.

DESCRIPTION

FIG. 1 is a perspective view of a water purifier showing the new design;
FIG. 2 is a front view thereof;
FIG. 3 is a rear view thereof;
FIG. 4 is a right side view thereof;
FIG. 5 is a left side view thereof;
FIG. 6 is a top view thereof; and,
FIG. 7 is a bottom view thereof.

1 Claim, 7 Drawing Sheets



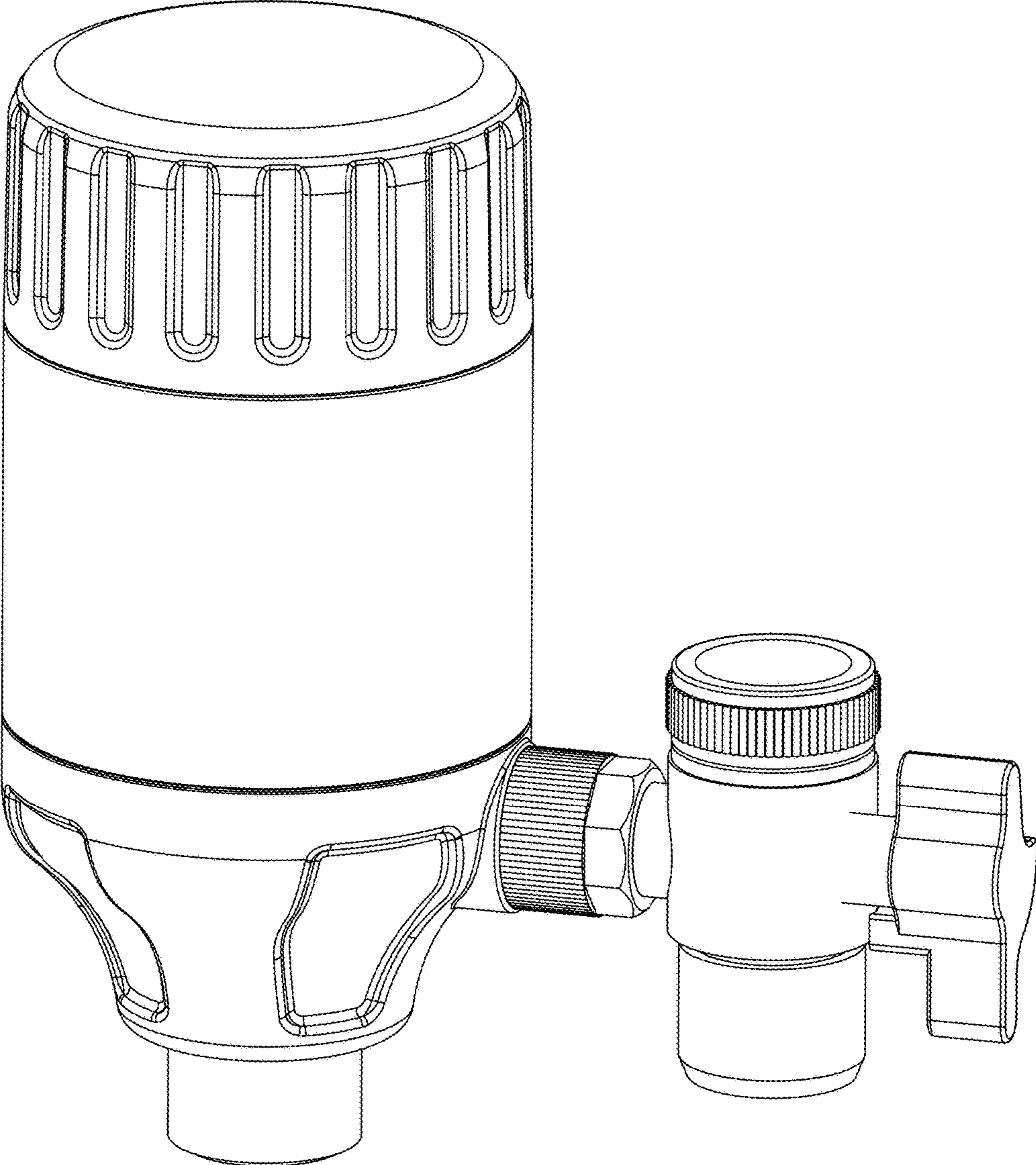


FIG. 1

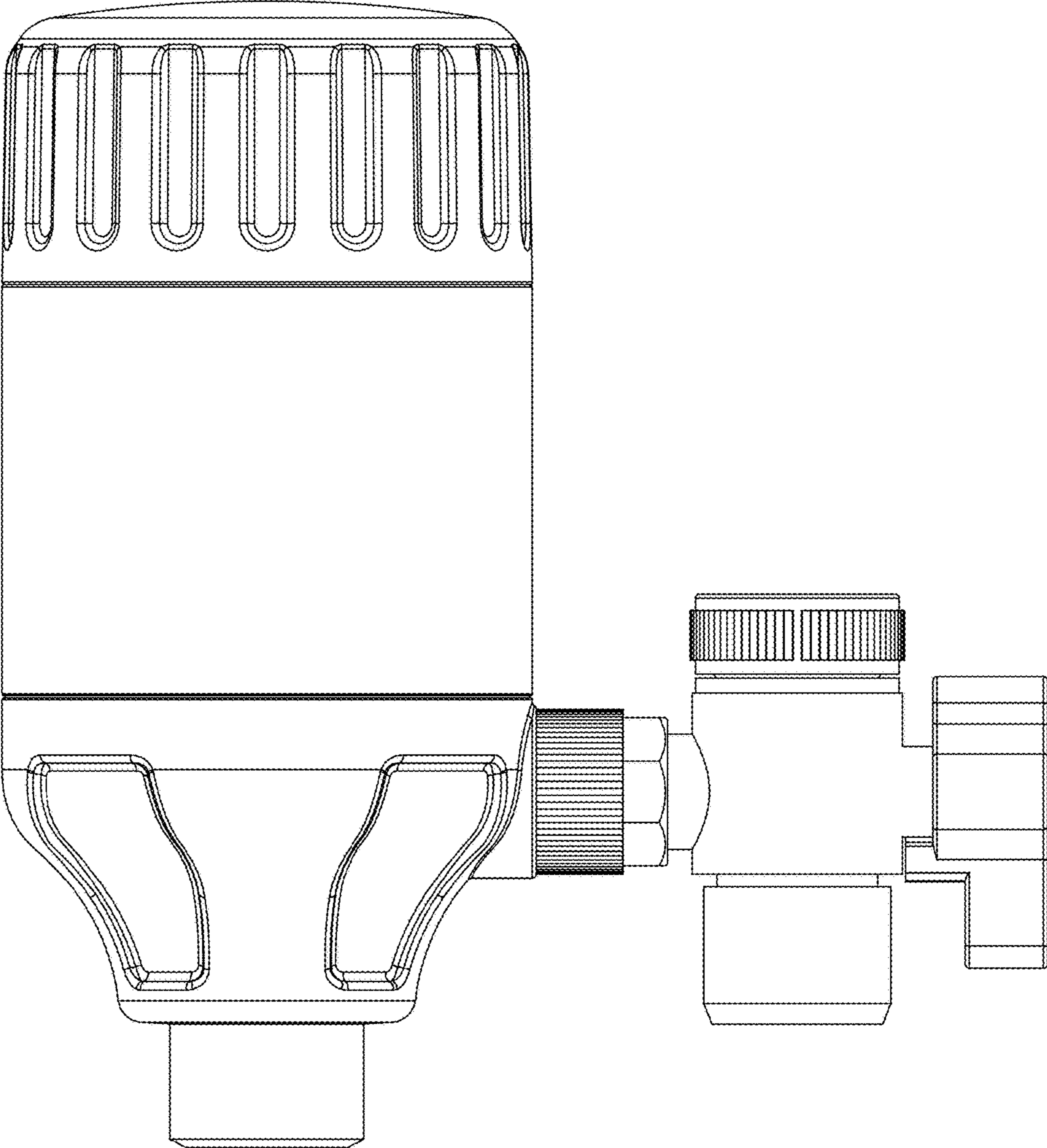


FIG. 2

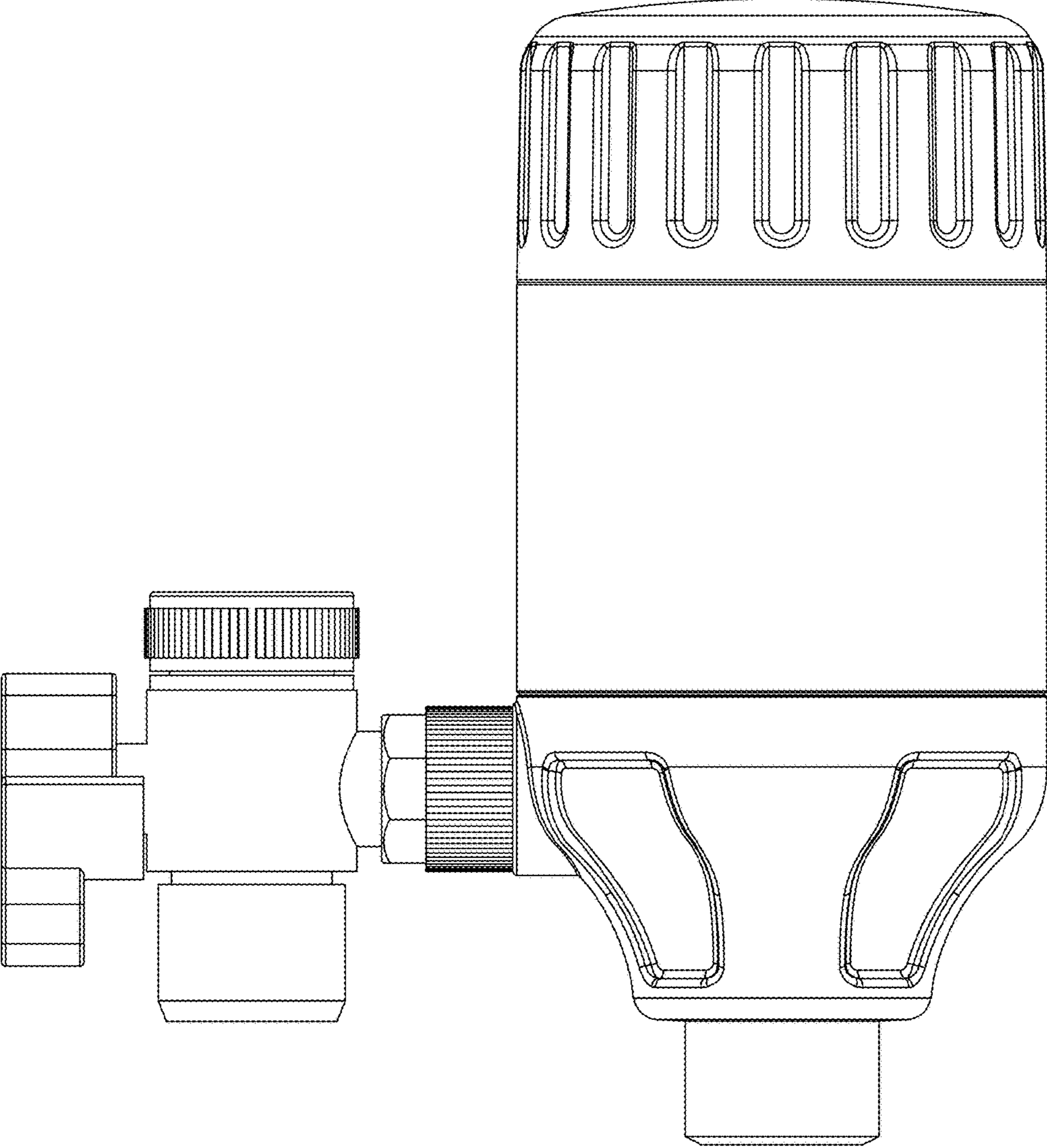


FIG. 3

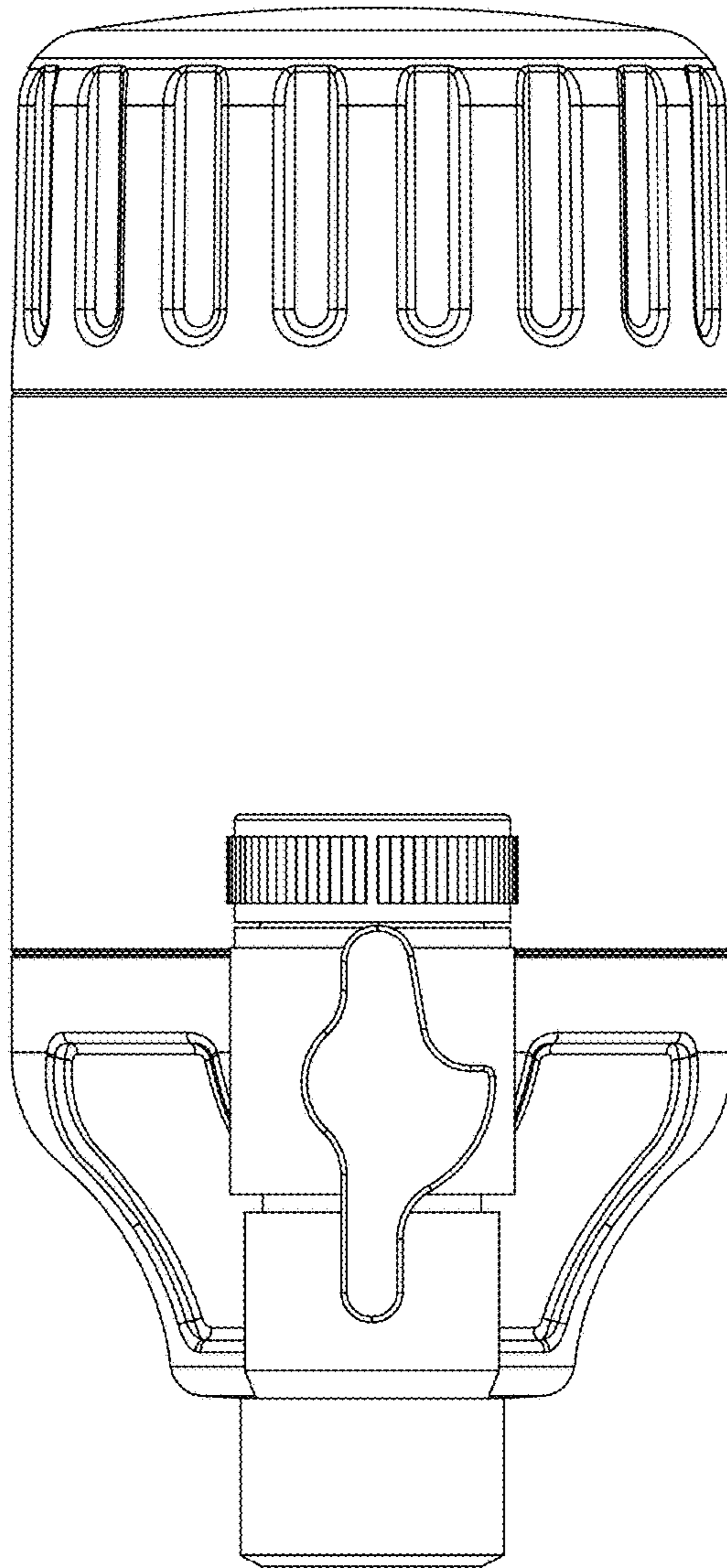


FIG. 4

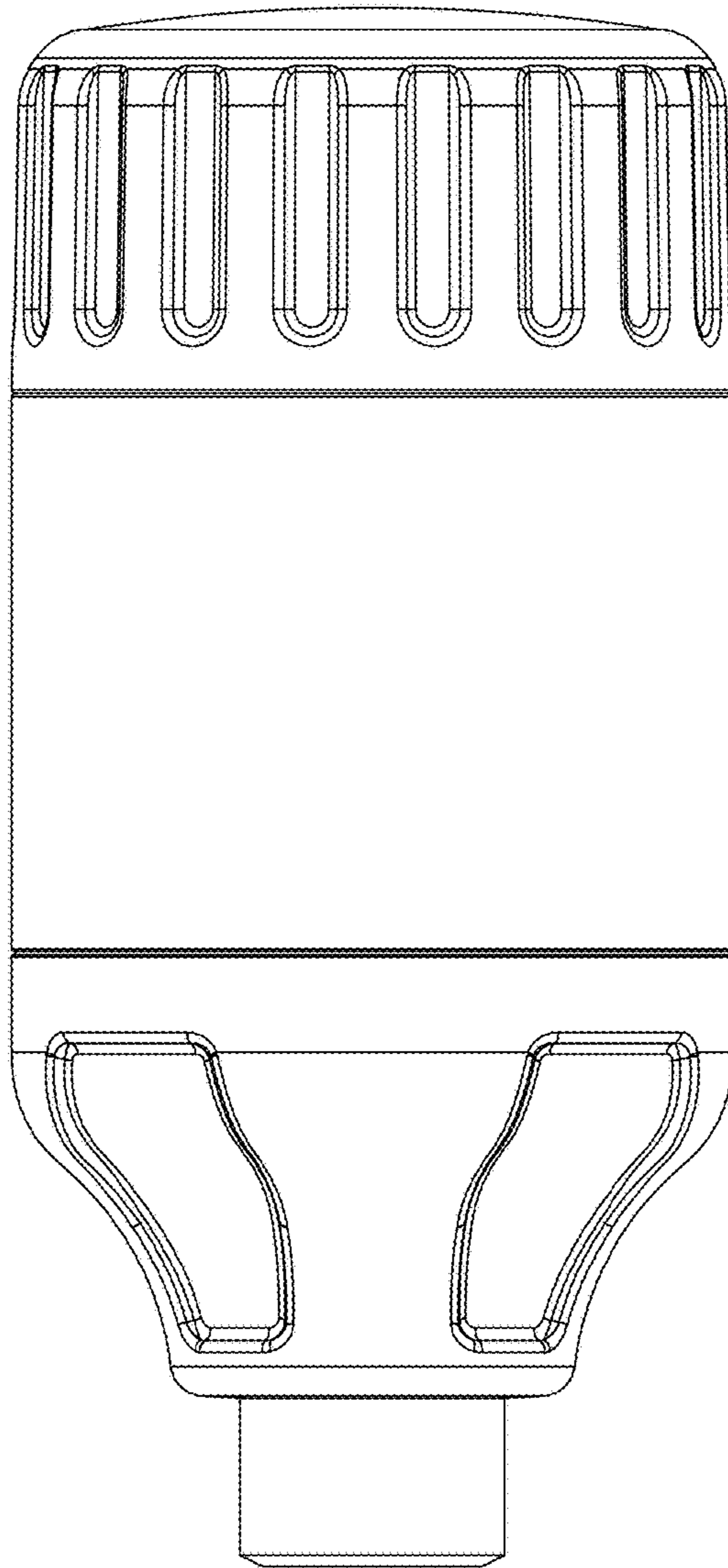


FIG. 5

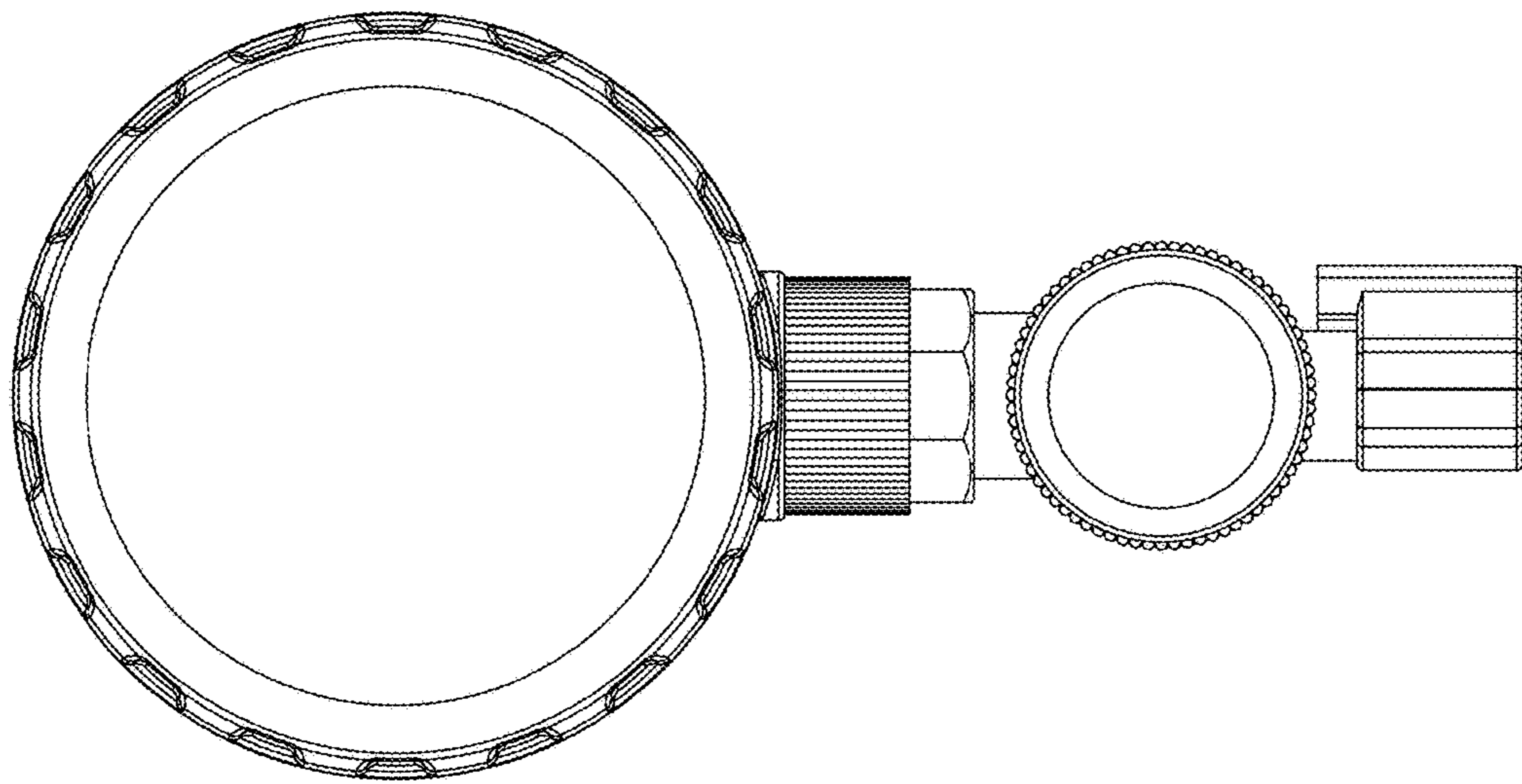


FIG. 6

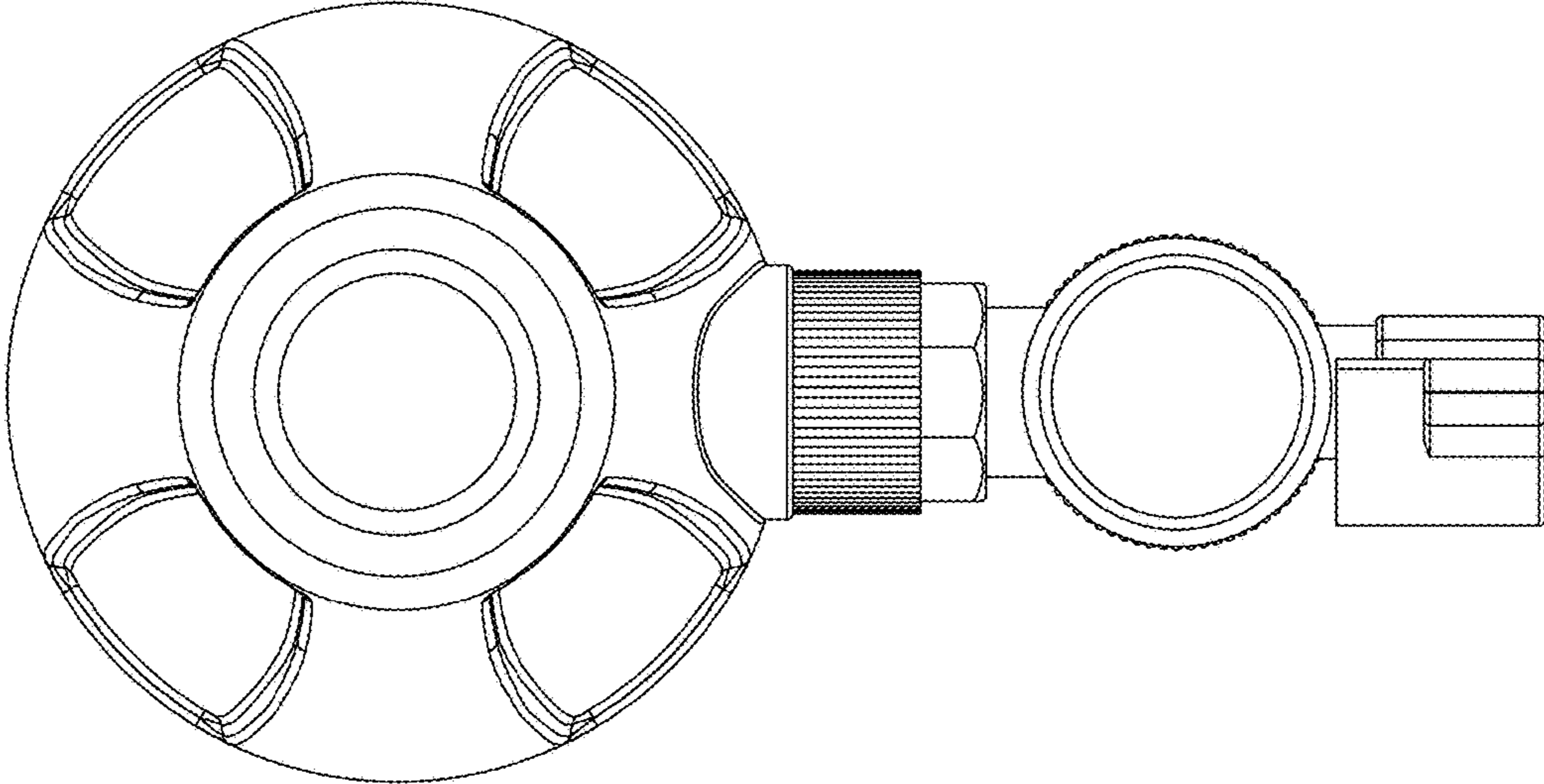


FIG. 7