



US00D861127S

(12) **United States Design Patent** (10) **Patent No.:** **US D861,127 S**  
**Lu** (45) **Date of Patent:** **\*\* Sep. 24, 2019**

(54) **REFRIGERATOR FILTER**

(56) **References Cited**

(71) Applicant: **TIANJIN TIANCHUANG BEST PURE ENVIRONMENTAL SCIENCE AND TECHNOLOGY CO., LTD.**, Tianjin (CN)

U.S. PATENT DOCUMENTS

D795,995 S \* 8/2017 Zou ..... D23/209  
D795,997 S \* 8/2017 Zou ..... D23/209  
D798,997 S \* 10/2017 Zou ..... D23/209

(72) Inventor: **Ying Lu**, Tianjin (CN)

\* cited by examiner

(73) Assignee: **TIANJIN TIANCHUANG BEST PURE ENVIRONMENTAL SCIENCE AND TECHNOLOGY CO., LTD.**, Tianjin (CN)

*Primary Examiner* — Robin V Webster  
(74) *Attorney, Agent, or Firm* — Yangling Jiang; JiangIP, LLC

(\*\*) Term: **15 Years**

(57) **CLAIM**

The ornamental design for a refrigerator filter, as shown and described.

(21) Appl. No.: **29/637,845**

(22) Filed: **Feb. 22, 2018**

**DESCRIPTION**

(30) **Foreign Application Priority Data**

Jan. 22, 2018 (CN) ..... 2018 3 0028523

(51) **LOC (12) Cl.** ..... **23-01**

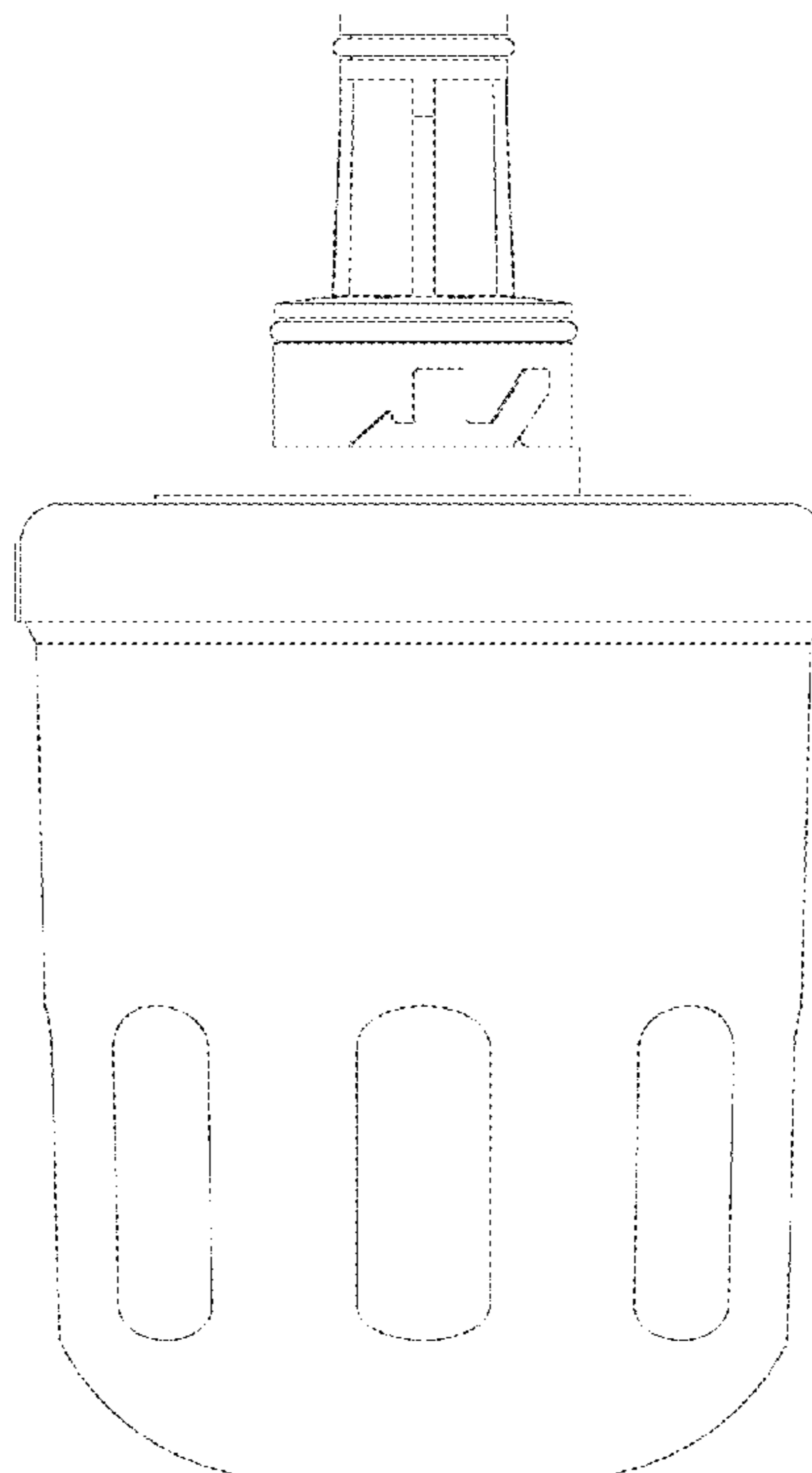
(52) **U.S. Cl.**  
USPC ..... **D23/209**

(58) **Field of Classification Search**  
USPC ..... D23/207, 209, 228  
CPC ..... B05B 1/18; C02F 1/003; B01D 24/10;  
B01D 35/30; B01D 35/153; B01D 27/08;  
B01D 2201/30; B01D 2201/29

FIG. 1 is a front view of a refrigerator filter showing my new design;  
FIG. 2 is a rear view thereof;  
FIG. 3 is a top view thereof;  
FIG. 4 is an enlarged top view thereof;  
FIG. 5 is a bottom view thereof;  
FIG. 6 is an enlarged bottom view thereof;  
FIG. 7 is a left side view thereof;  
FIG. 8 is a right side view thereof; and,  
FIG. 9 is a perspective view thereof.

See application file for complete search history.

**1 Claim, 8 Drawing Sheets**



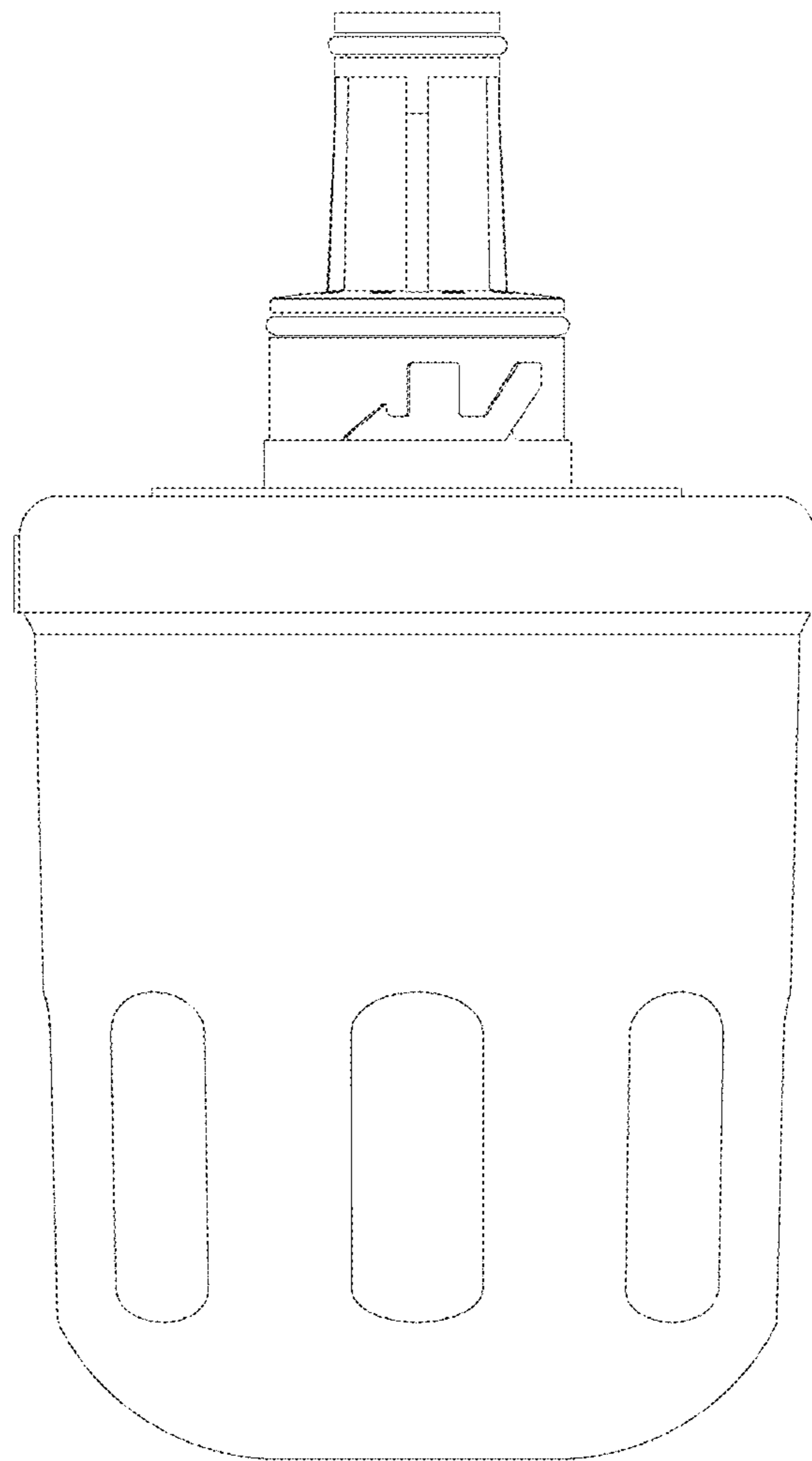
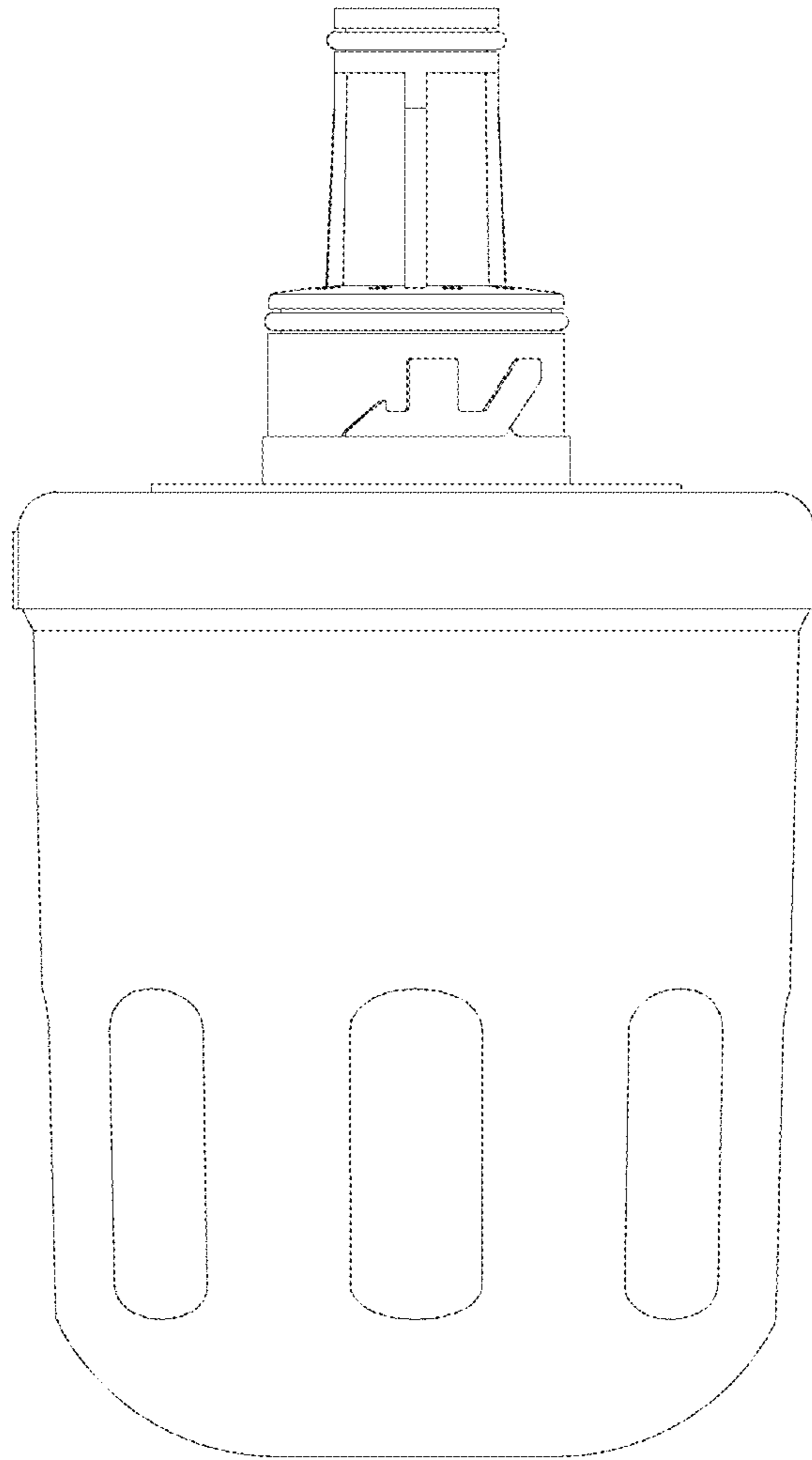


Fig. 1



**Fig. 2**

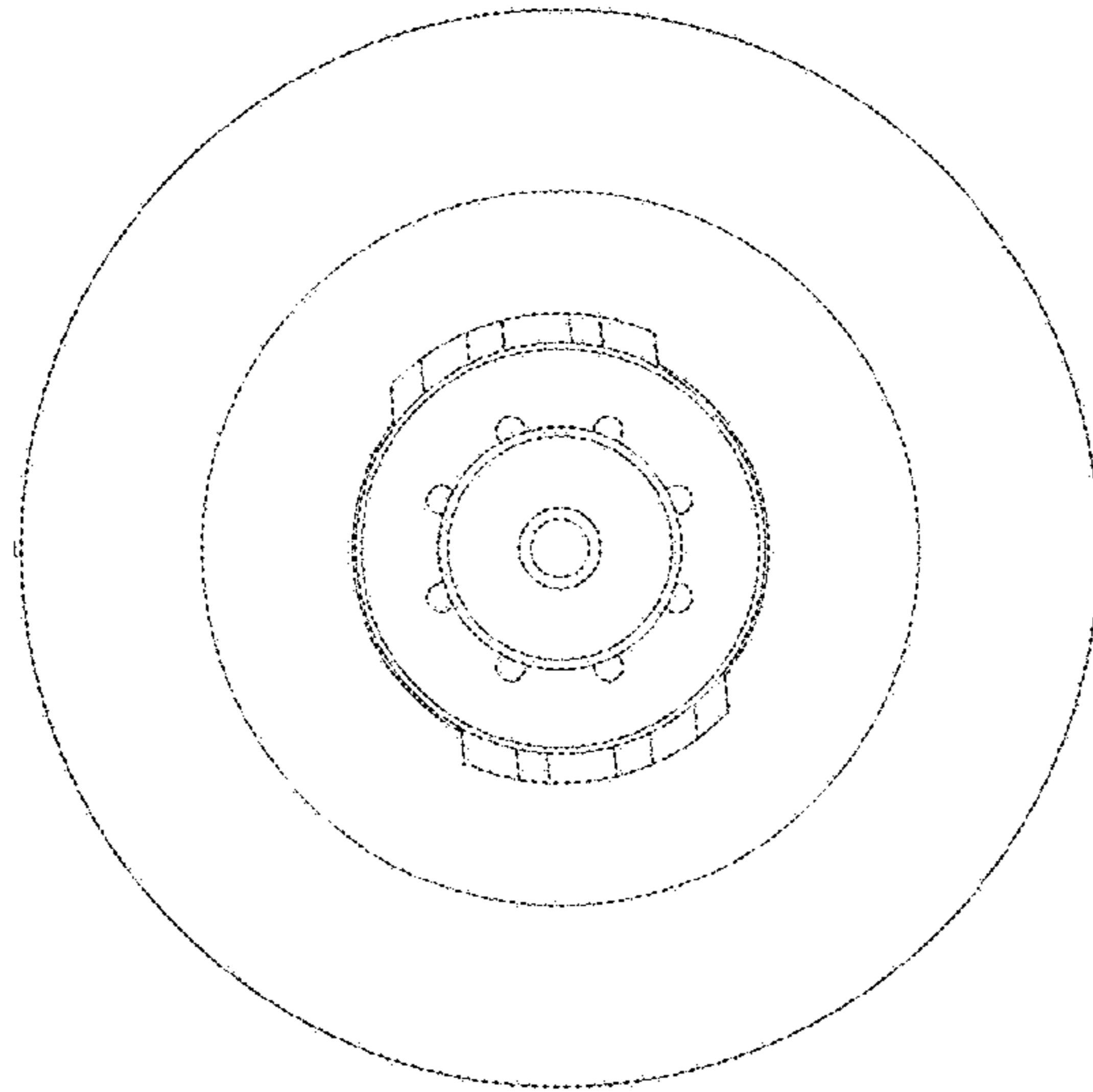


Fig. 3

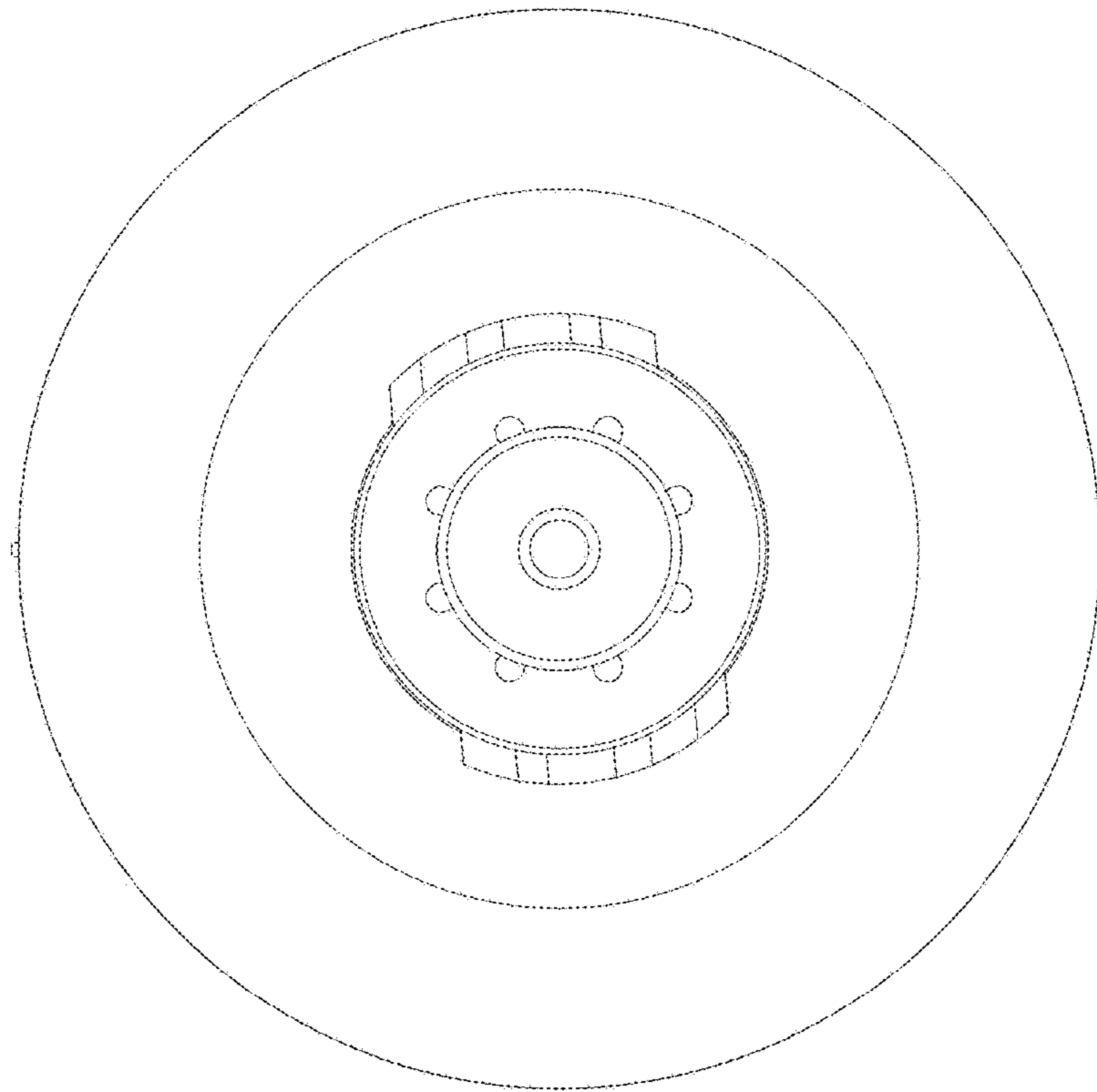


Fig. 4

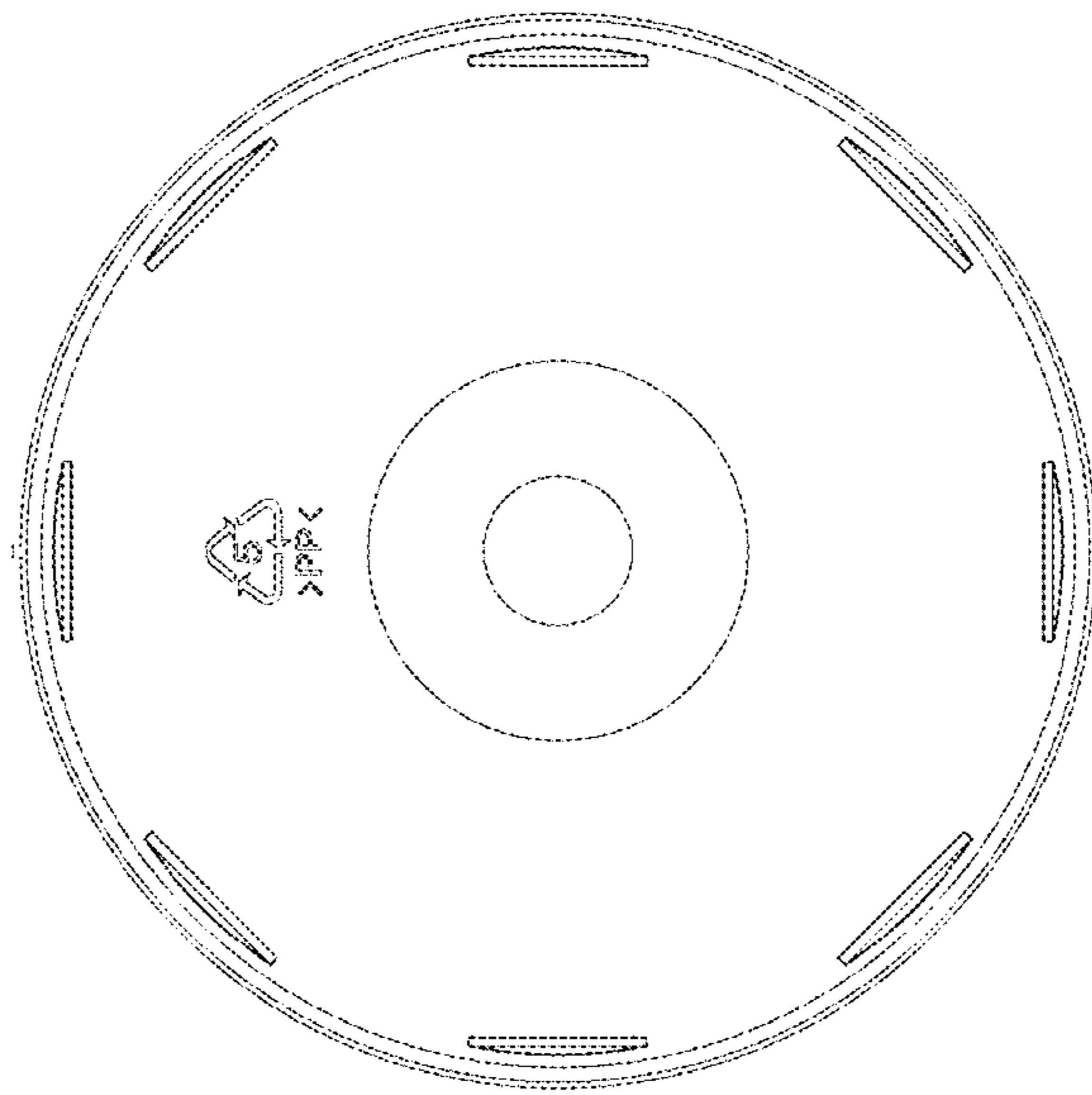


Fig. 5

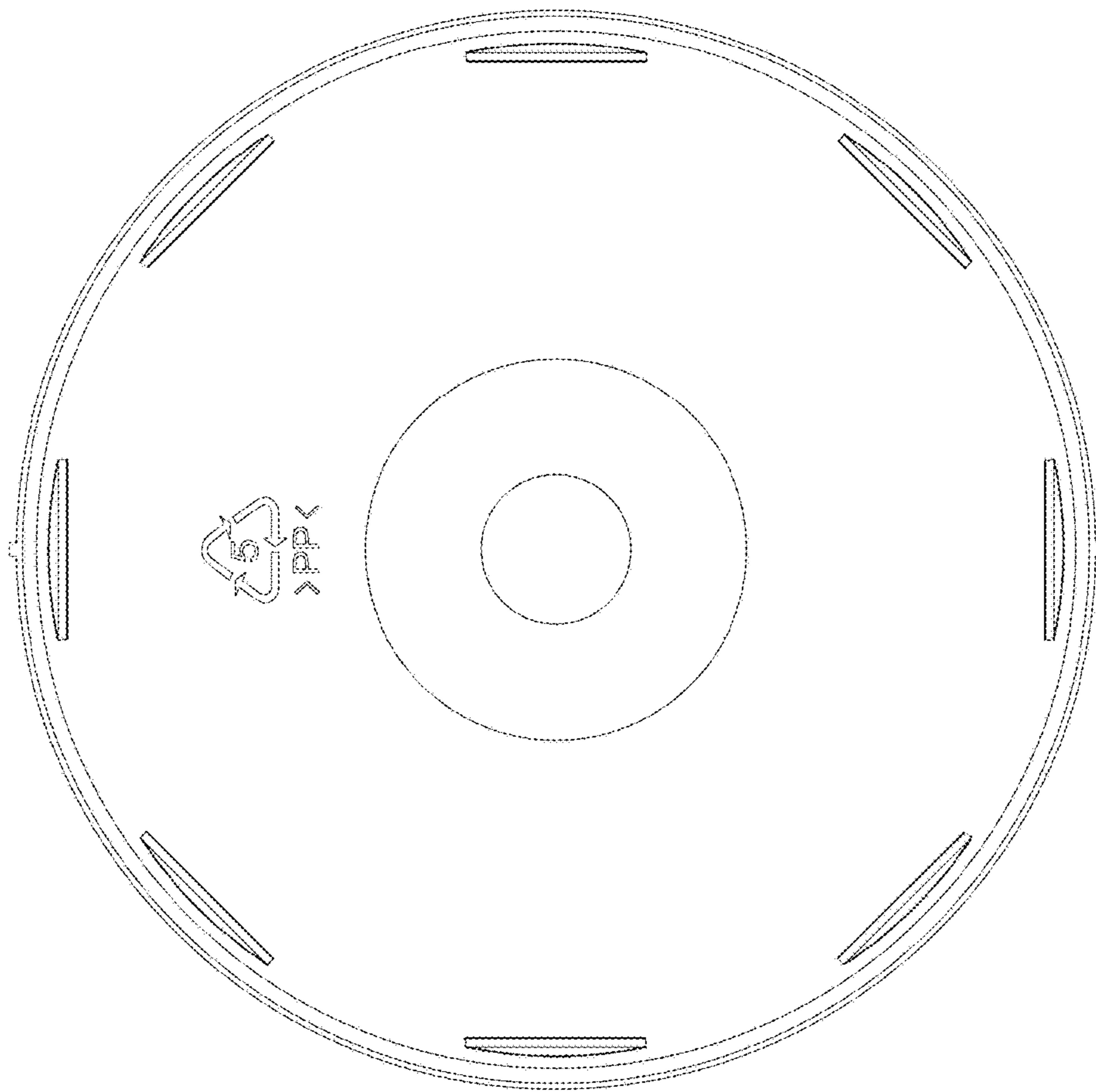


Fig. 6

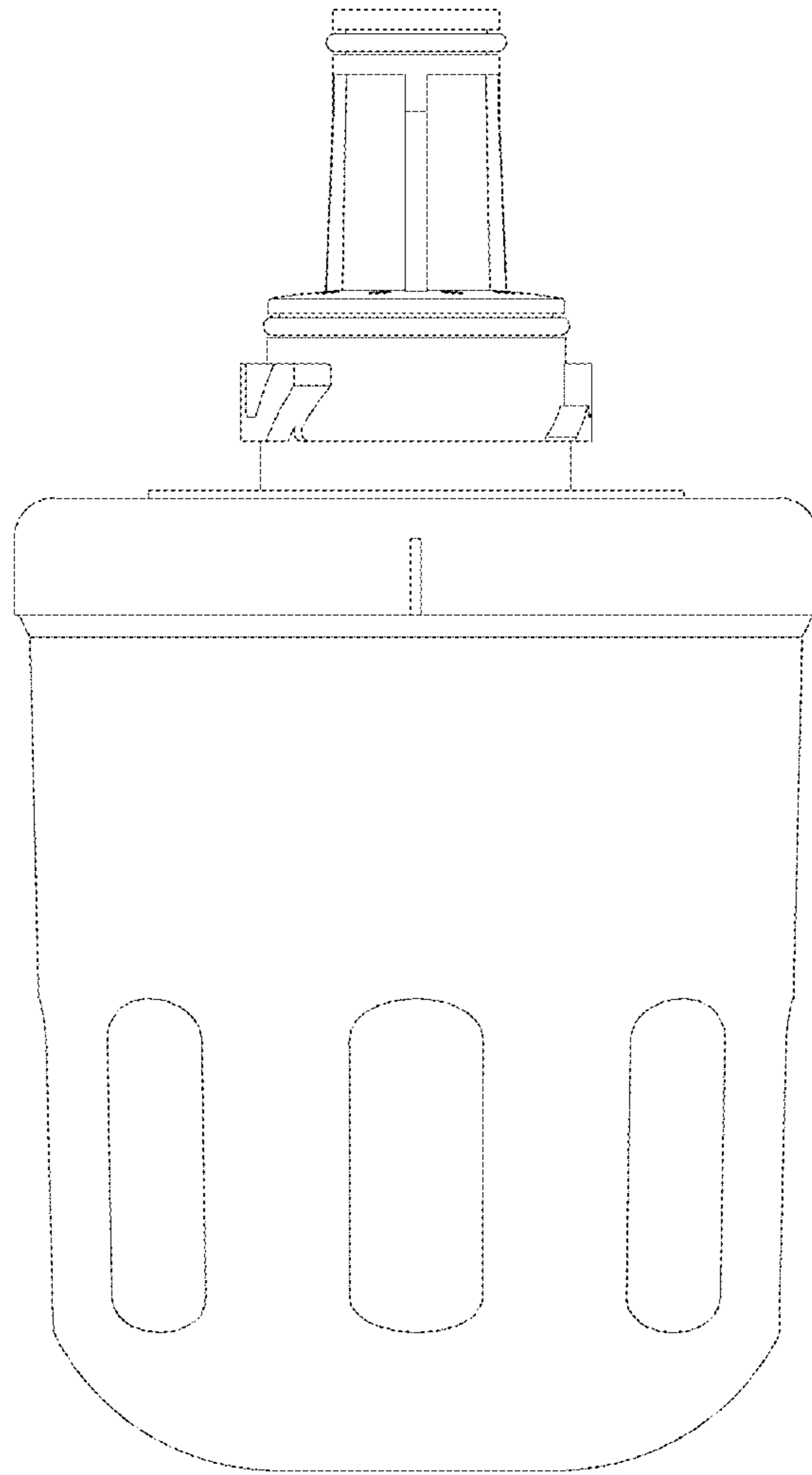


Fig. 7

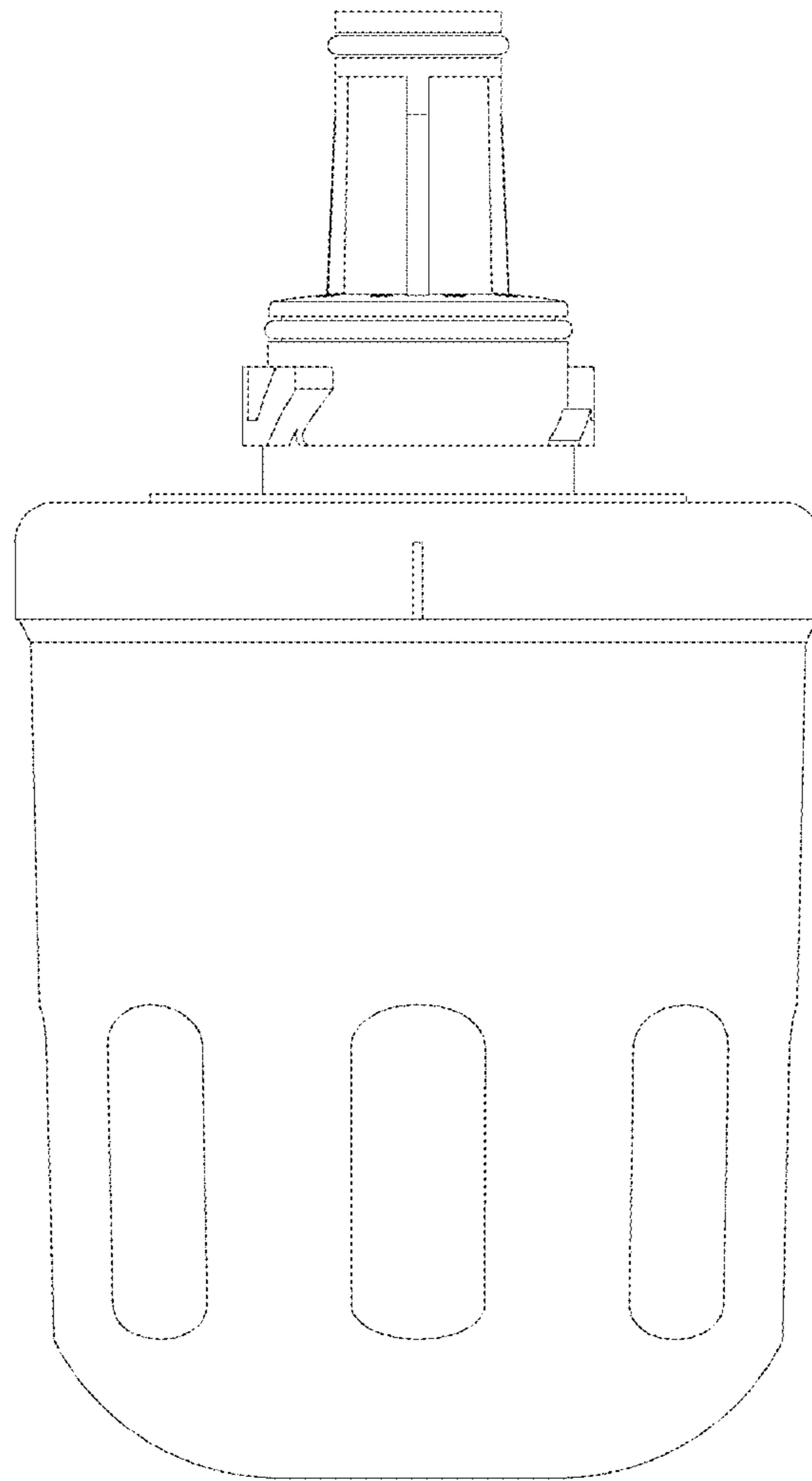


Fig. 8



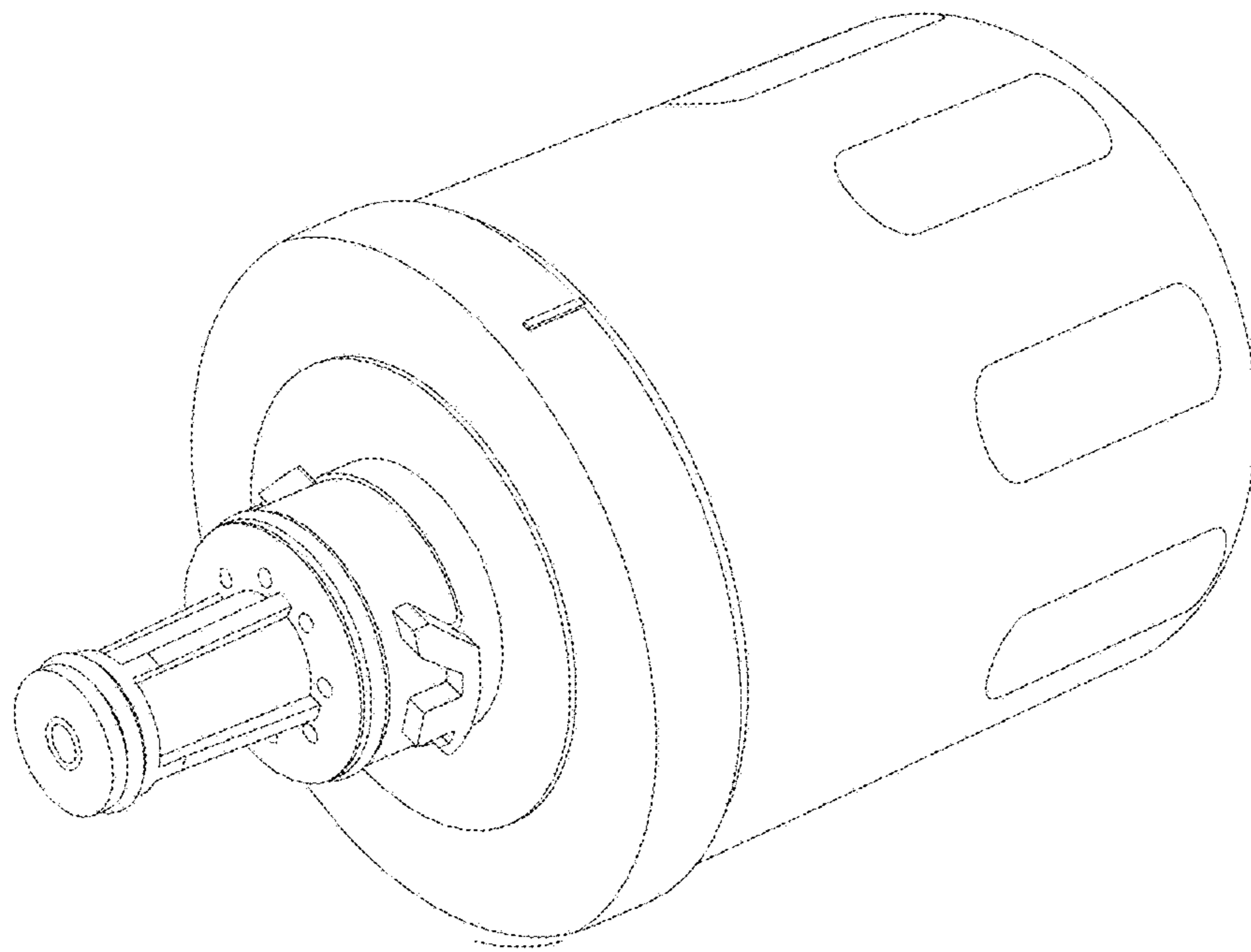


Fig. 9