



US00D861126S

(12) **United States Design Patent** (10) **Patent No.:** **US D861,126 S**  
**McNiven** (45) **Date of Patent:** **\*\* Sep. 24, 2019**

(54) **INSULATED FISHING ROD HOLDER**

(71) Applicant: **Jeff McNiven**, Arundel (AU)

(72) Inventor: **Jeff McNiven**, Arundel (AU)

(\*\*) Term: **15 Years**

(21) Appl. No.: **29/648,631**

(22) Filed: **May 23, 2018**

(51) **LOC (12) Cl.** ..... **22-05**

(52) **U.S. Cl.**  
USPC ..... **D22/148**

(58) **Field of Classification Search**  
USPC ..... D22/148, 147, 136; D32/53; 43/21.2,  
43/55-56, 54.1; 206/216, 315.11  
CPC ..... A01K 97/04; A01K 97/06; A01K 97/10;  
F25D 3/08

See application file for complete search history.

(56) **References Cited**

**U.S. PATENT DOCUMENTS**

- 5,331,761 A \* 7/1994 Kuthy ..... A01K 97/06  
206/216
- D381,392 S \* 7/1997 Darling ..... D22/148
- D384,391 S \* 9/1997 Bastian ..... D22/148
- 6,185,860 B1 2/2001 Thibodeaux
- 6,467,779 B1 10/2002 Mills
- 7,155,859 B1 \* 1/2007 Brooks ..... A01K 97/06  
206/315.11
- 8,052,020 B1 \* 11/2011 Wurtz ..... A01K 97/06  
224/662
- 8,375,622 B1 \* 2/2013 Holzmann, Jr. .... A01K 97/10  
43/21.2
- D699,476 S 2/2014 Gonzalez
- D749,872 S 2/2016 Gonzalez

- 2002/0070517 A1 \* 6/2002 Ramsey ..... A01K 97/22  
D22/148
- 2012/0005941 A1 1/2012 Lan
- 2014/0202062 A1 \* 7/2014 Rogers ..... A01K 97/10  
43/21.2
- 2015/0257376 A1 \* 9/2015 Camp, Jr. .... A01K 97/06  
43/55

\* cited by examiner

*Primary Examiner* — Catherine R Oliver-Garcia  
(74) *Attorney, Agent, or Firm* — Martin IP Pty Ltd

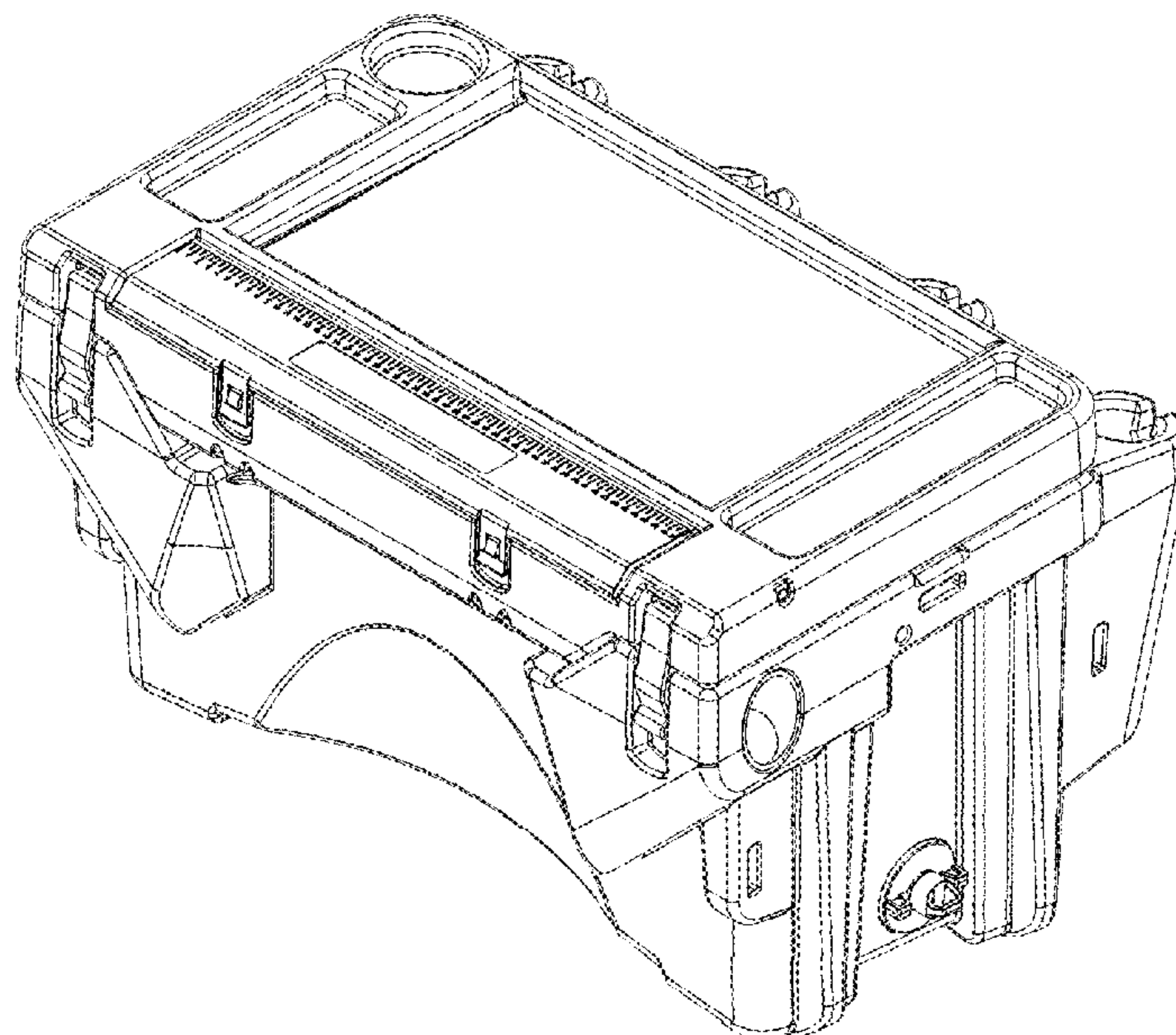
(57) **CLAIM**

I claim the ornamental design for an insulated fishing rod holder, as shown and described.

**DESCRIPTION**

FIG. 1 is a front elevation view of an insulated fishing rod holder;  
 FIG. 2 is a rear elevation view thereof;  
 FIG. 3 is a right side elevation view thereof;  
 FIG. 4 is a left side elevation view thereof;  
 FIG. 5 is a top plan view thereof;  
 FIG. 6 is a bottom plan view thereof;  
 FIG. 7 is a front, top and left side perspective view thereof;  
 FIG. 8 is a rear, top and left side perspective view thereof;  
 FIG. 9 is a top and left side perspective view thereof;  
 FIG. 10 is a left, rear and bottom perspective view thereof;  
 FIG. 11 is a front, top and right side perspective view thereof; and,  
 FIG. 12 is a front, top and left side perspective view thereof.

**1 Claim, 12 Drawing Sheets**



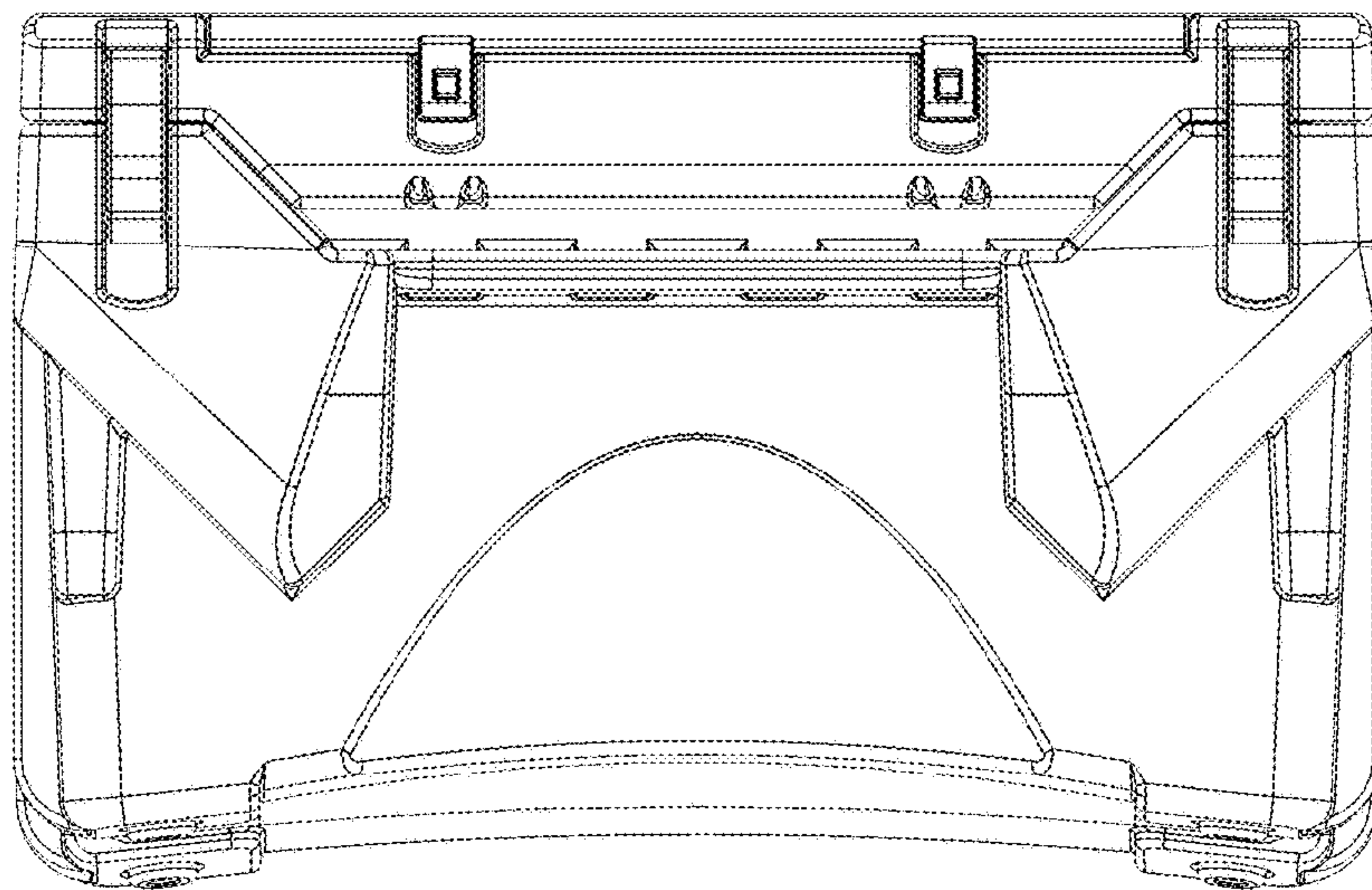


Figure 1

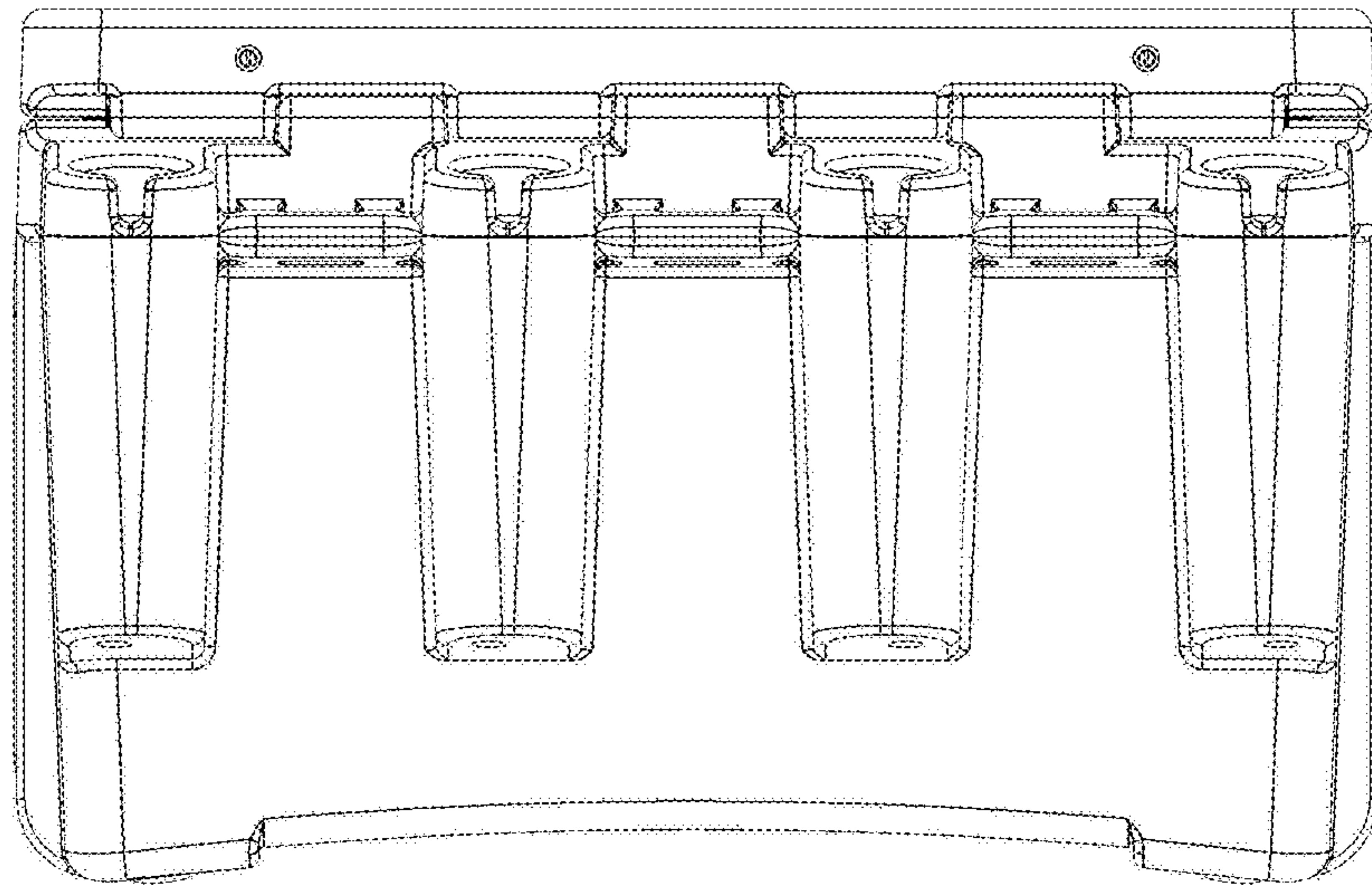


Figure 2

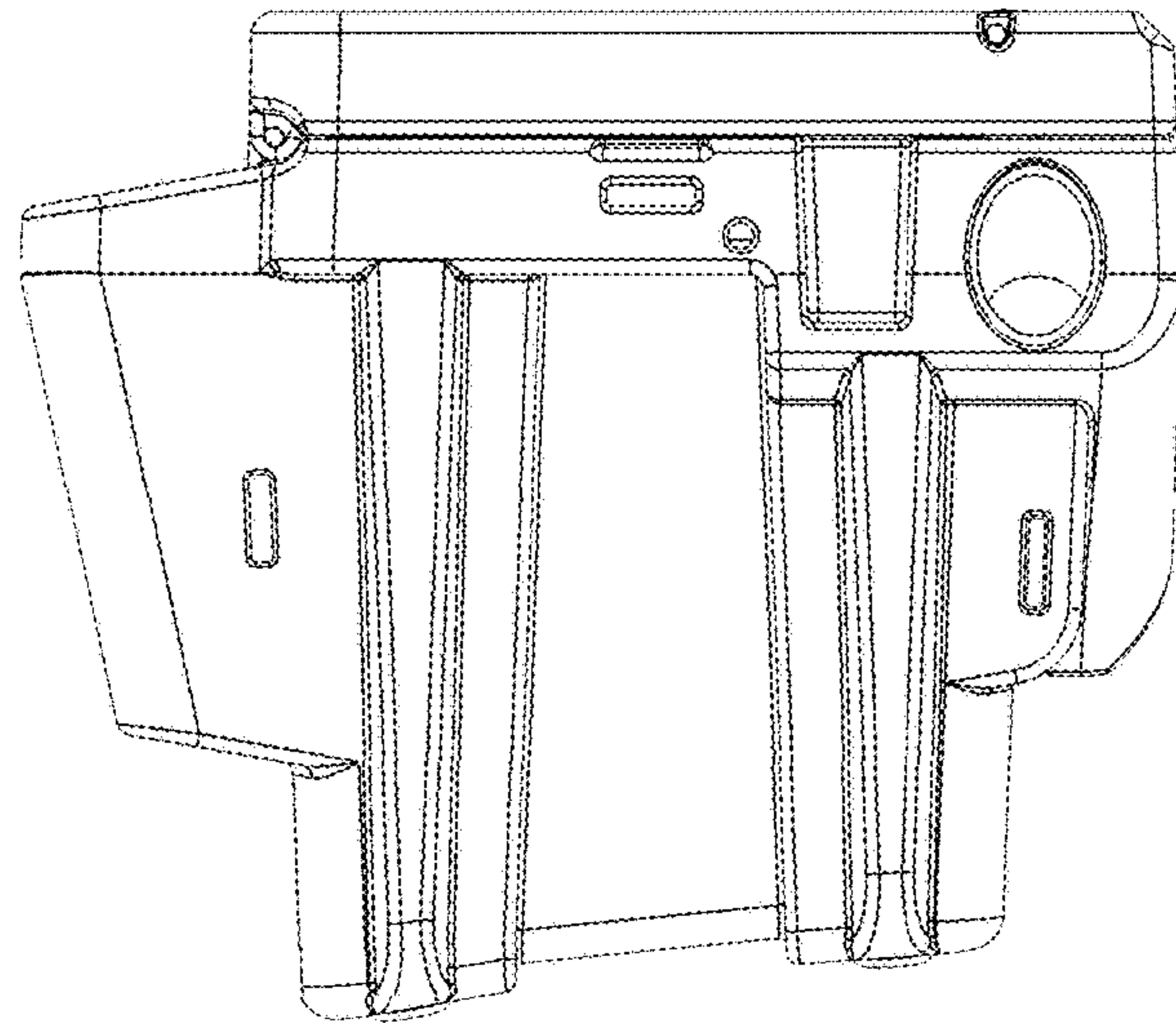


Figure 3



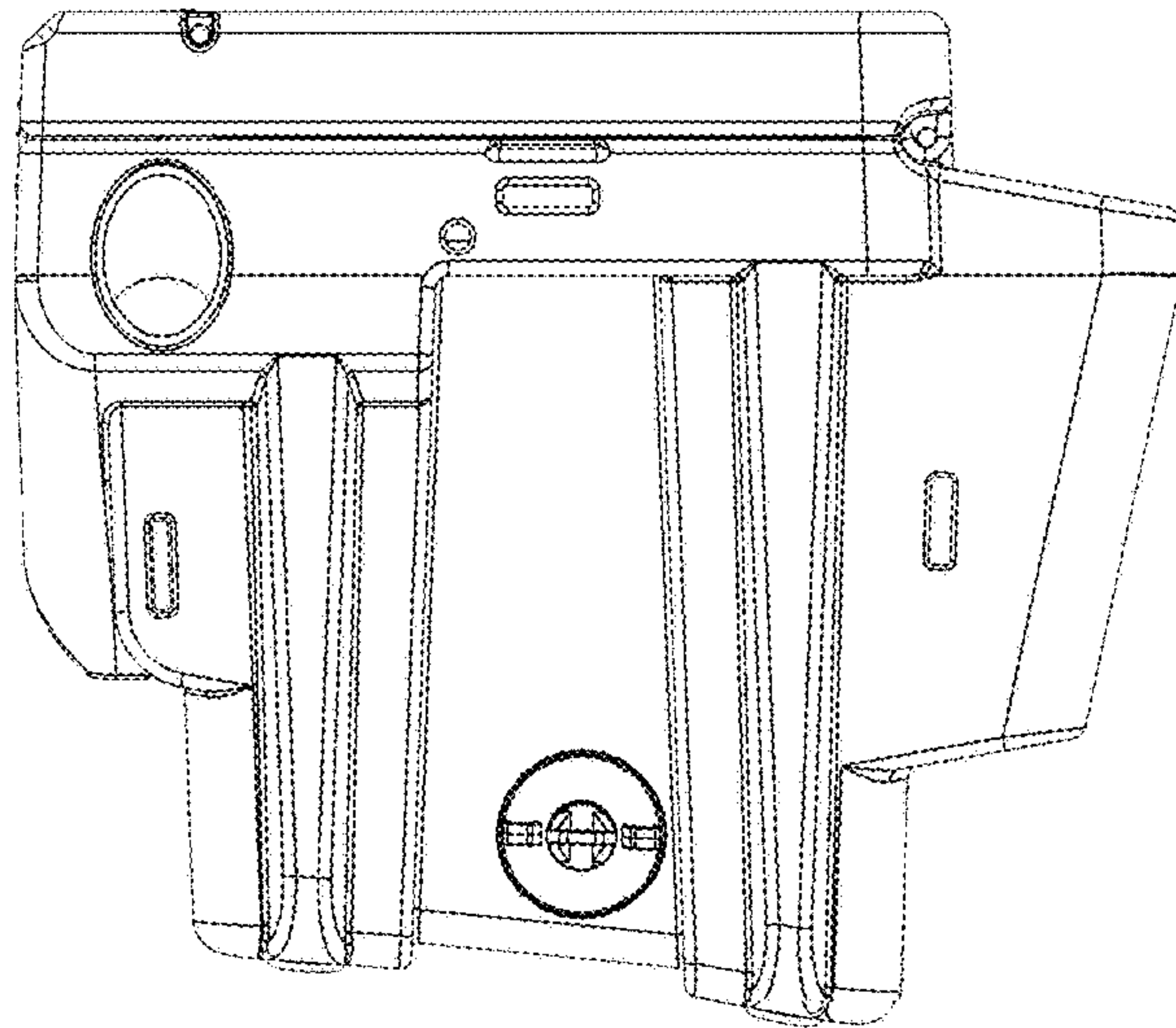


Figure 4

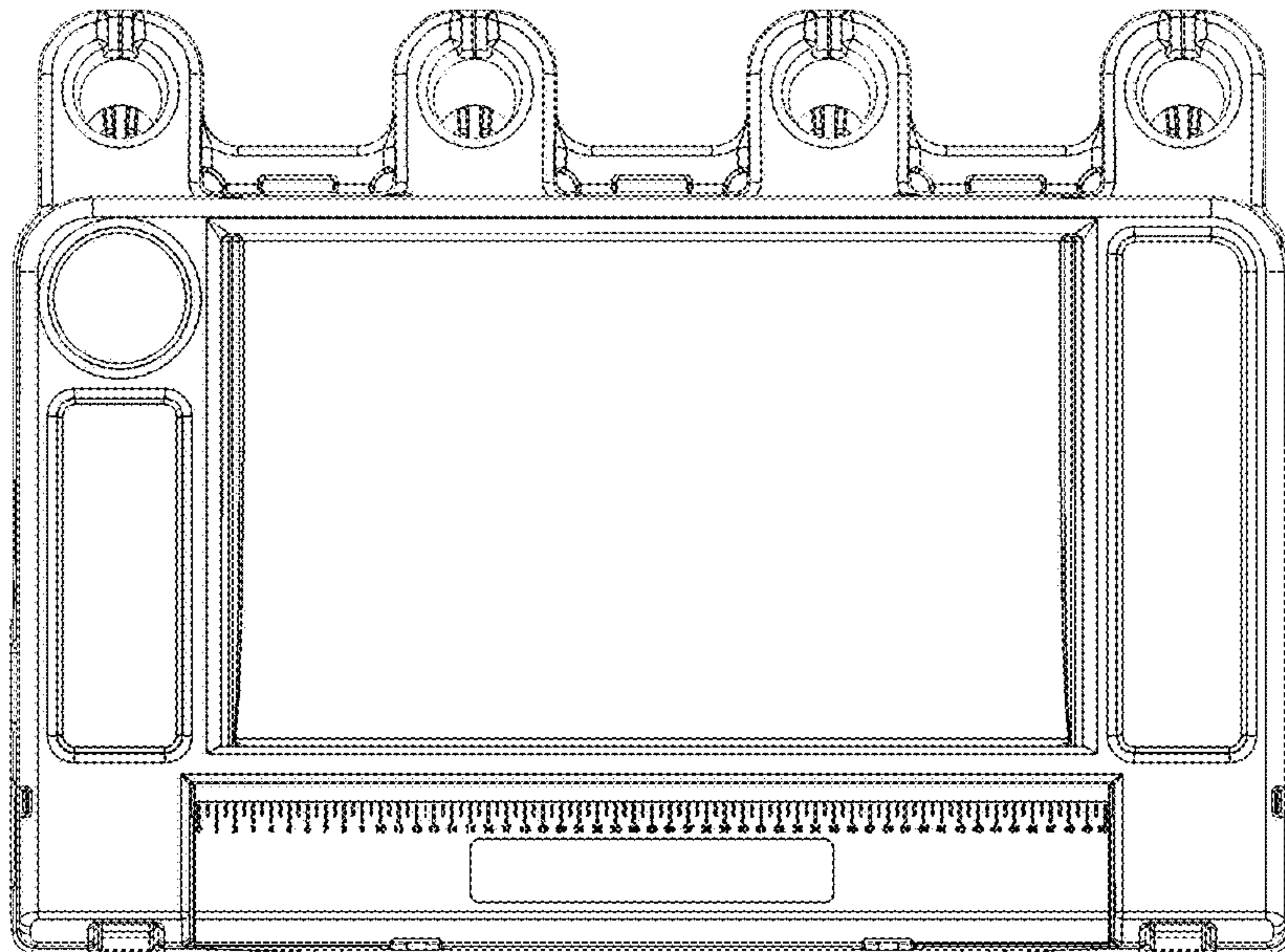


Figure 5

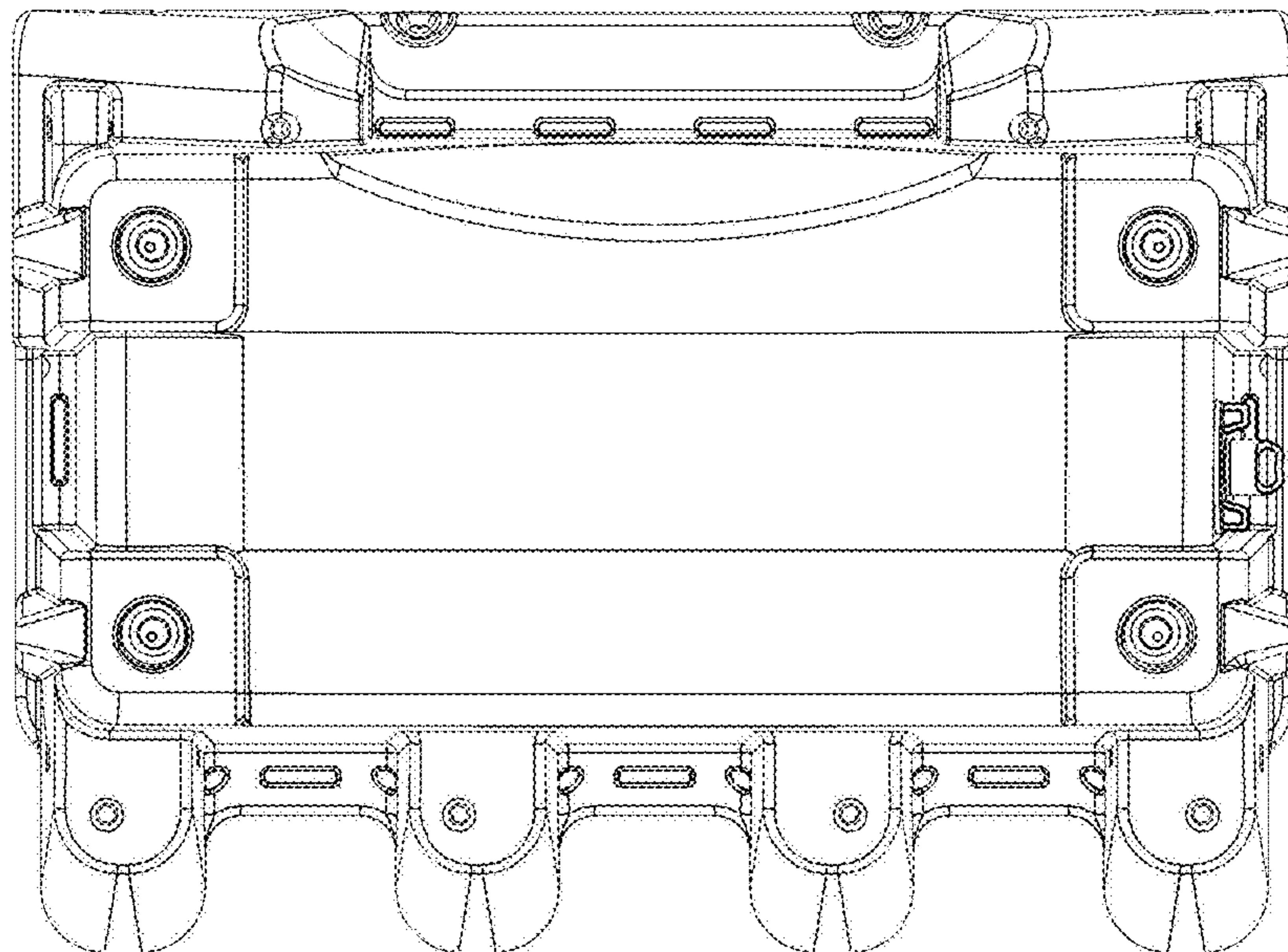


Figure 6

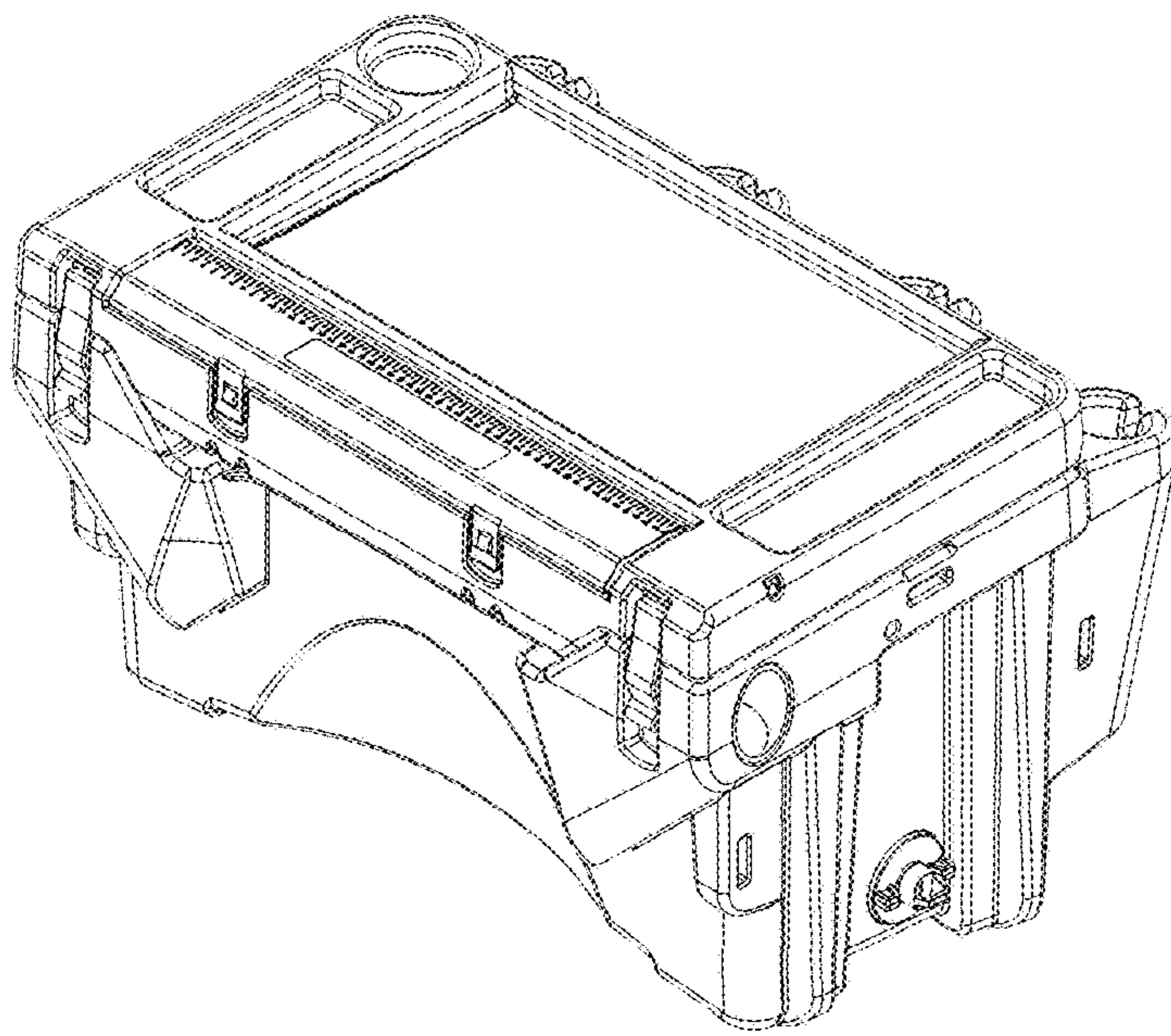


Figure 7



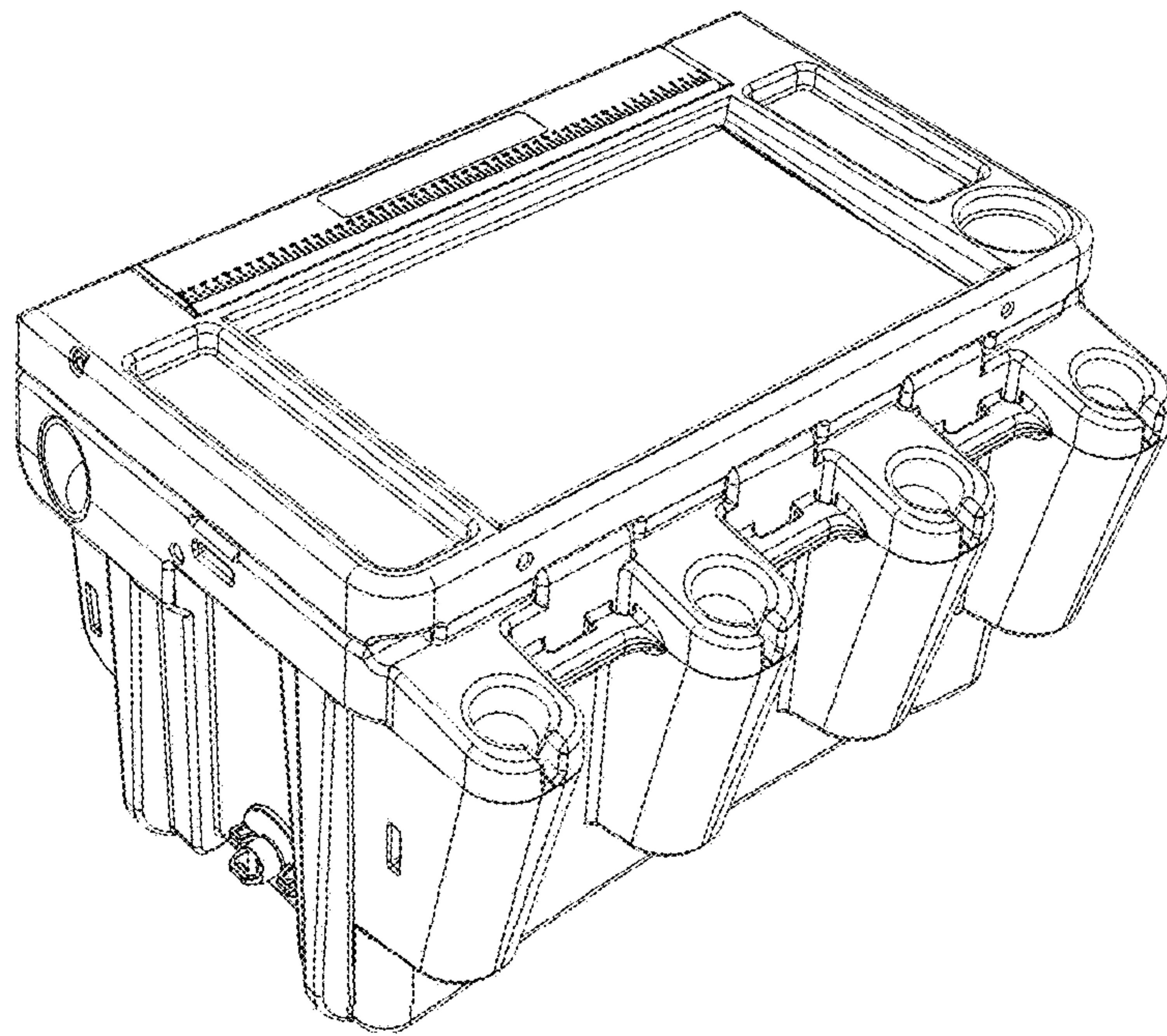


Figure 8

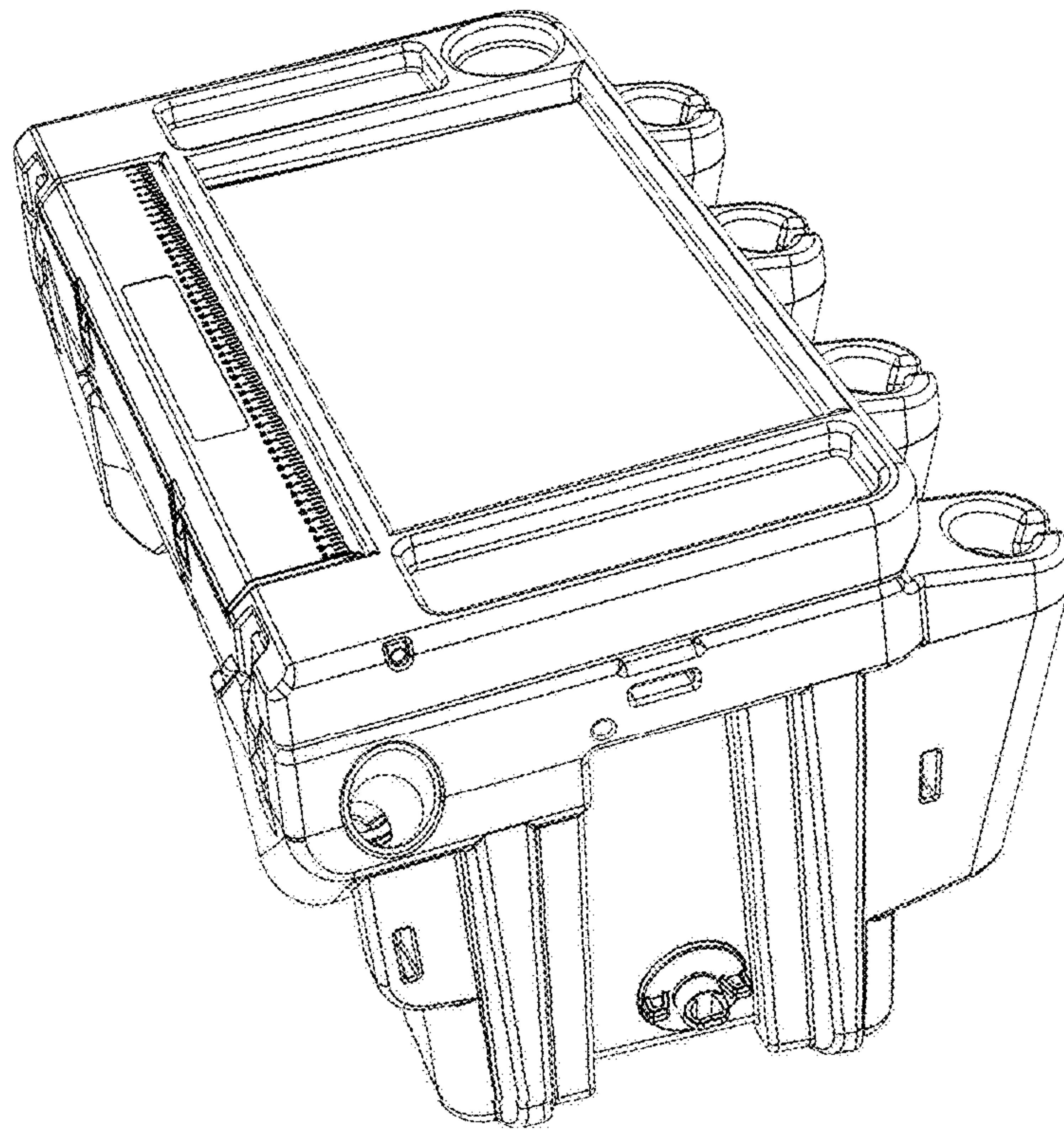


Figure 9

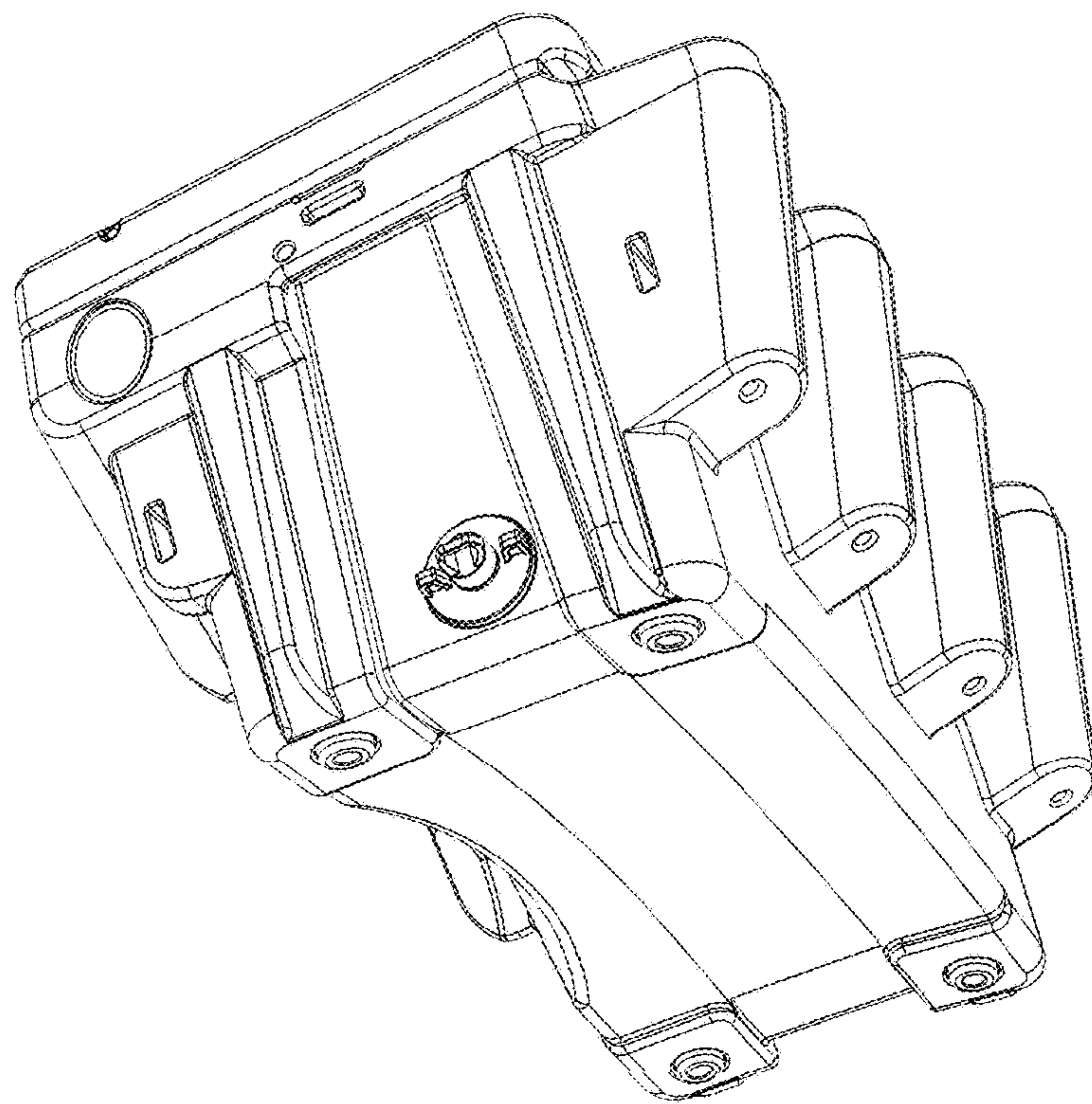


Figure 10

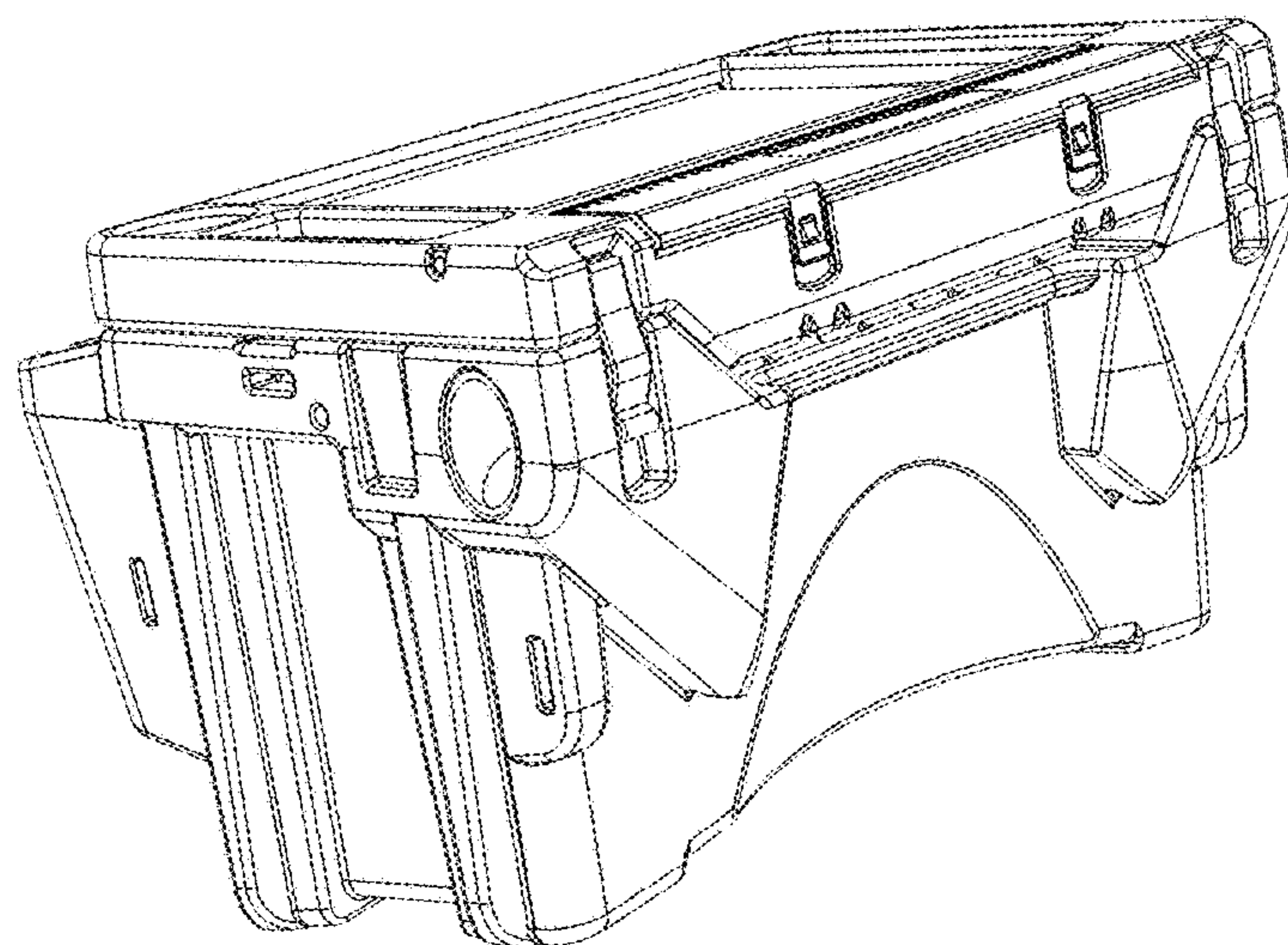


Figure 11



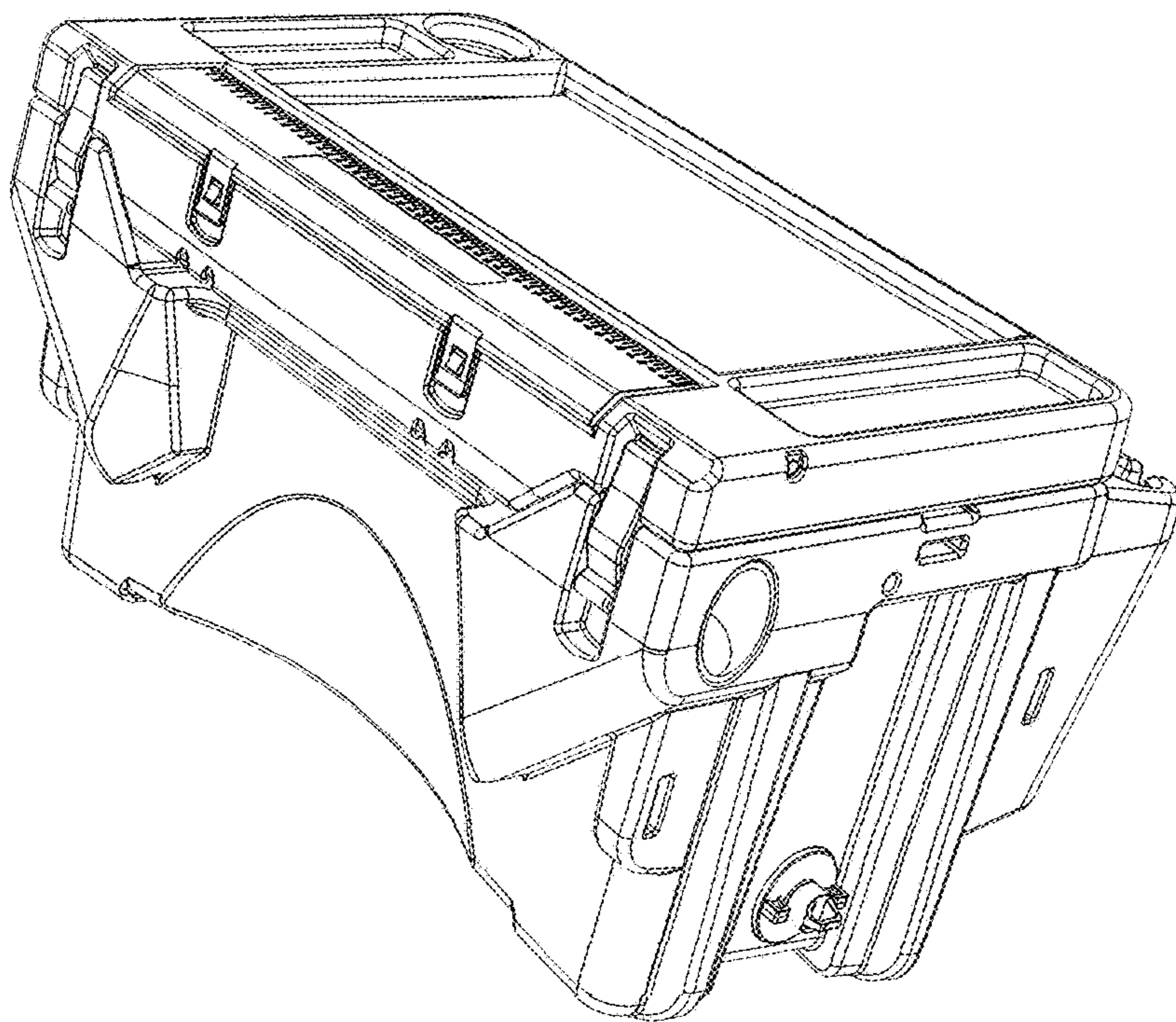


Figure 12