



US00D861124S

(12) **United States Design Patent**
Furukawa

(10) **Patent No.:** **US D861,124 S**

(45) **Date of Patent:** **** Sep. 24, 2019**

(54) **ROAM FISHING REEL**

(71) Applicant: **W.C. Bradley/Zebco Holdings, Inc.**,
Tulsa, OK (US)

(72) Inventor: **Shaw Furukawa**, Tulsa, OK (US)

(73) Assignee: **W.C. Bradley/Zebco Holdings, Inc.**,
Tulsa, OK (US)

(**) Term: **15 Years**

(21) Appl. No.: **29/655,777**

(22) Filed: **Jul. 6, 2018**

(51) **LOC (12) Cl.** **22-05**

(52) **U.S. Cl.**
USPC **D22/140**

(58) **Field of Classification Search**
USPC D22/140-141; 43/19-22; 242/230-231,
242/234, 240, 246, 310-311, 316, 322,
242/370, 283
CPC A01K 81/00; A01K 81/04; A01K 89/08;
A01K 89/0102; A01K 91/02; F41B
5/1484; F41B 5/1488
See application file for complete search history.

(56) **References Cited**

U.S. PATENT DOCUMENTS

3,092,351 A * 6/1963 Clark A01K 89/0102
242/240
4,261,528 A * 4/1981 McKinney A01K 89/00
242/323

D290,987 S * 7/1987 Robbins D22/141
D414,840 S * 10/1999 Kirby D22/141
D561,868 S * 2/2008 Wong D22/140
D803,348 S * 11/2017 Huang D22/140
2010/0064571 A1* 3/2010 McCune A01K 87/06
43/22

* cited by examiner

Primary Examiner — Catherine R Oliver-Garcia

(74) *Attorney, Agent, or Firm* — James F. Lea, III; Gable
Gotwals

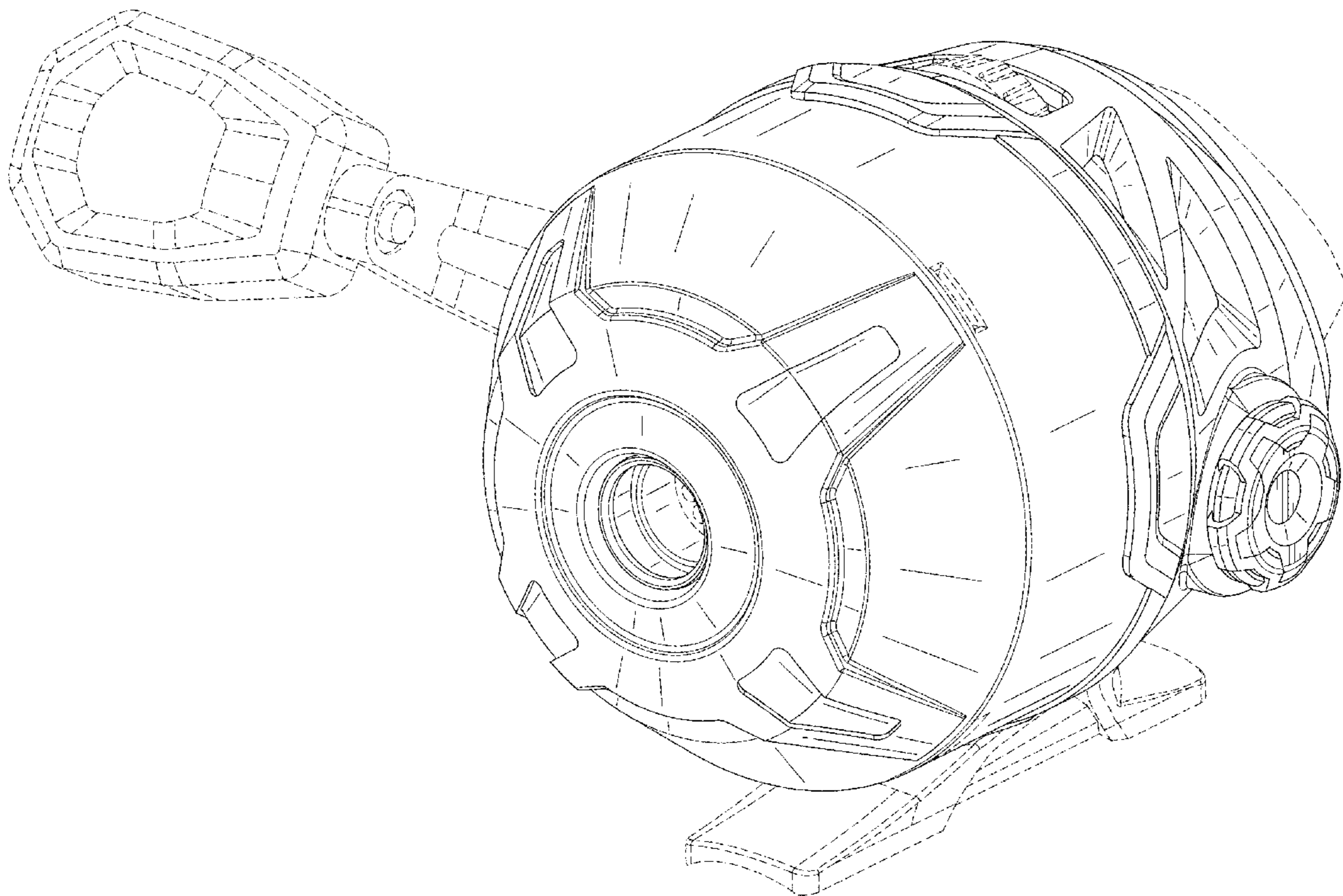
(57) **CLAIM**

The ornamental design for a roam fishing reel, as shown and
described.

DESCRIPTION

FIG. 1 is a front perspective view of the roam fishing reel
showing my design;
FIG. 2 is a front elevation view thereof;
FIG. 3 is a rear elevation view thereof;
FIG. 4 is a right side view thereof;
FIG. 5 is a left side view thereof;
FIG. 6 is a top view thereof;
FIG. 7 is a bottom view thereof; and,
FIG. 8 is a rear perspective view thereof.
The broken lines in the Figures are for the purpose of
illustrating the environment in which the design is associ-
ated and form no part of the claimed design.

1 Claim, 8 Drawing Sheets



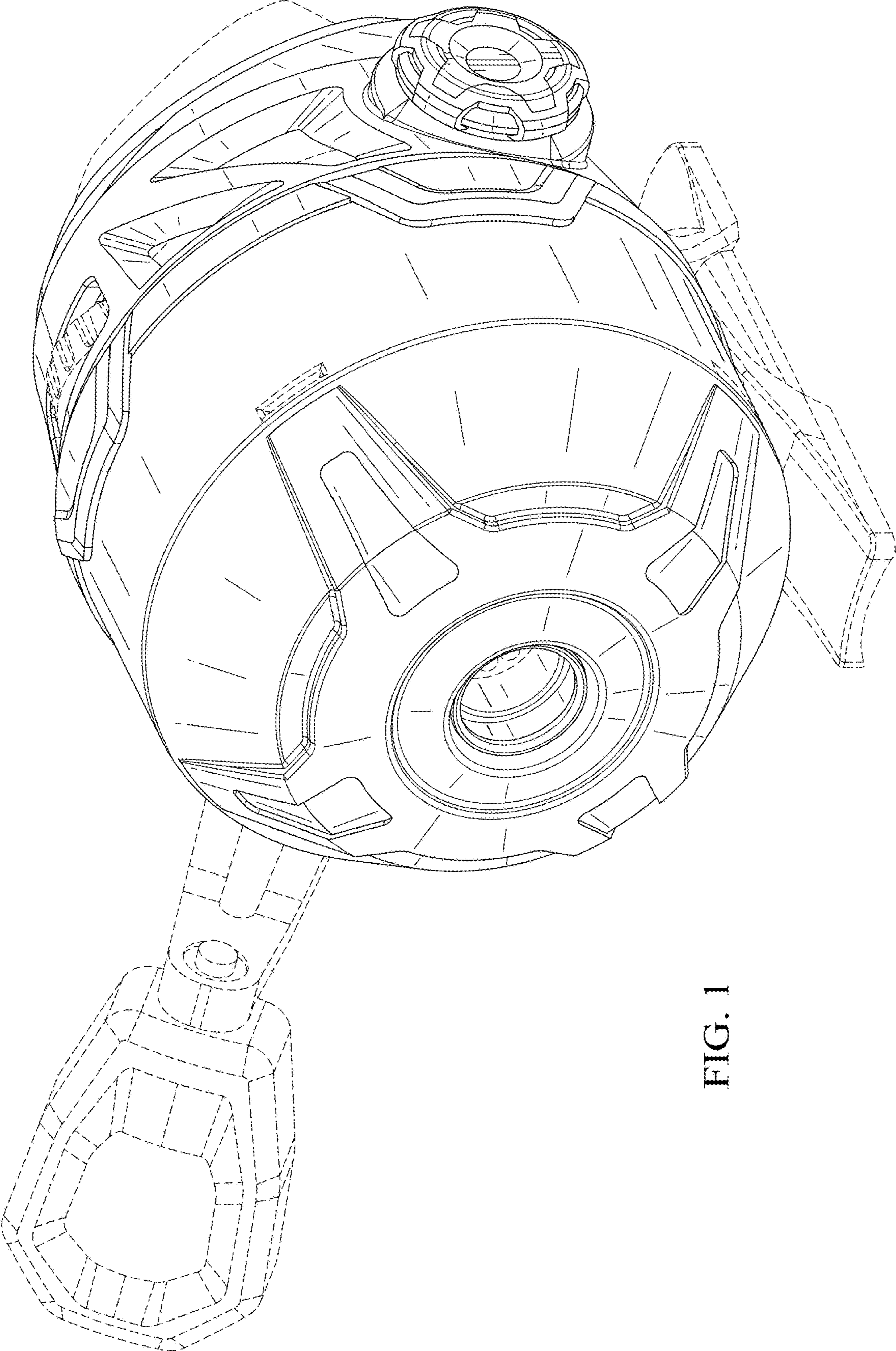


FIG. 1

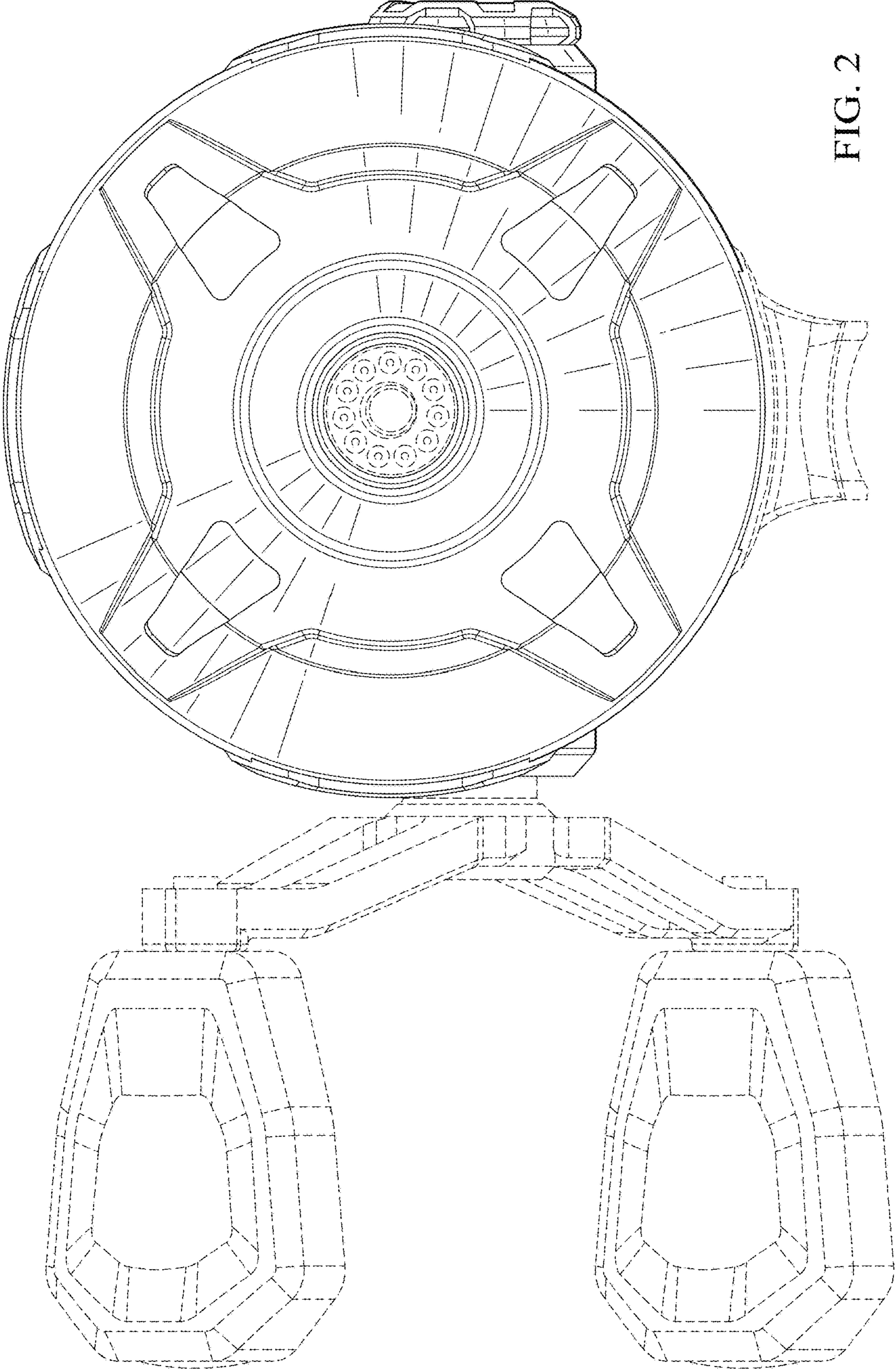


FIG. 2

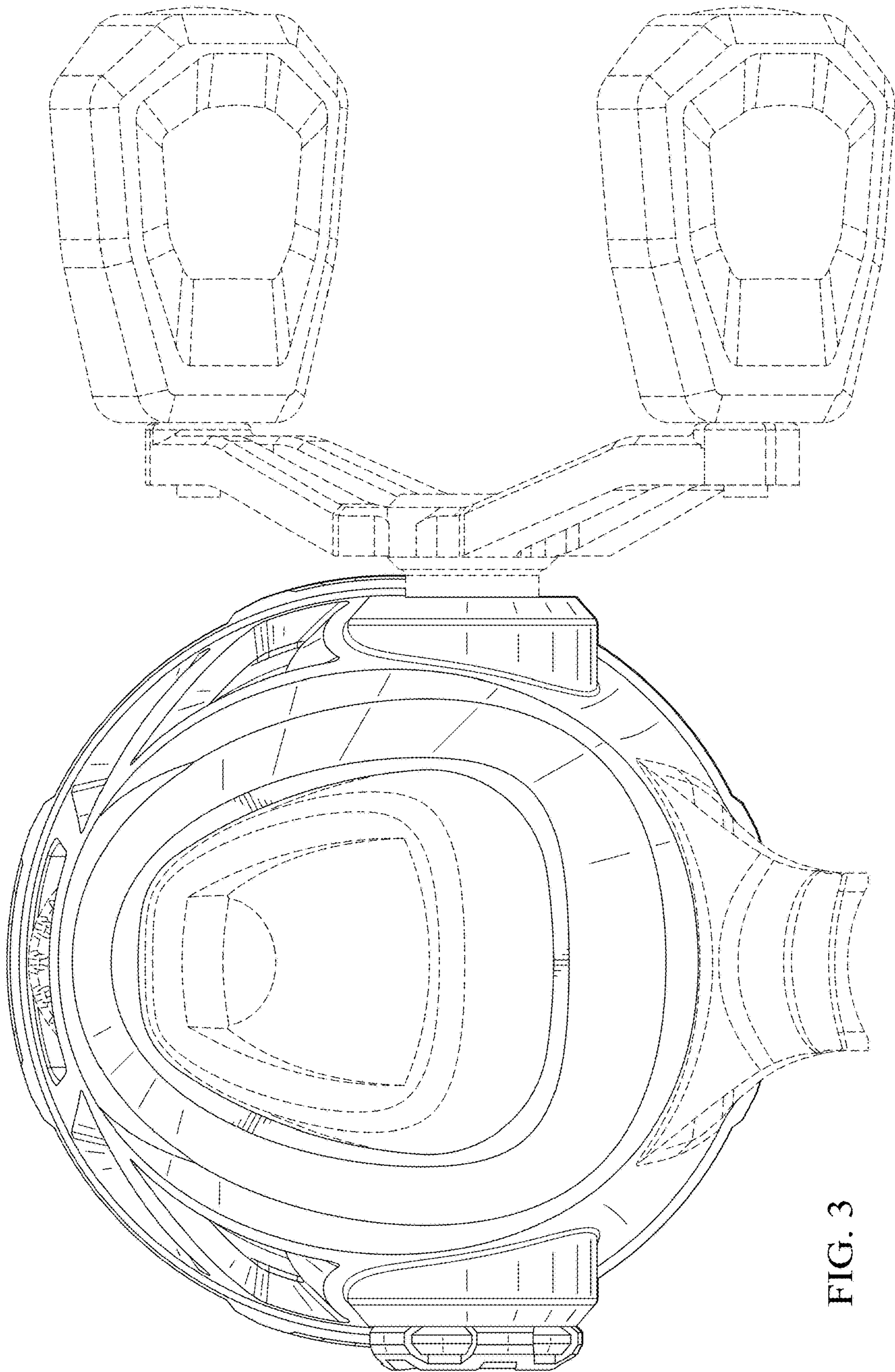
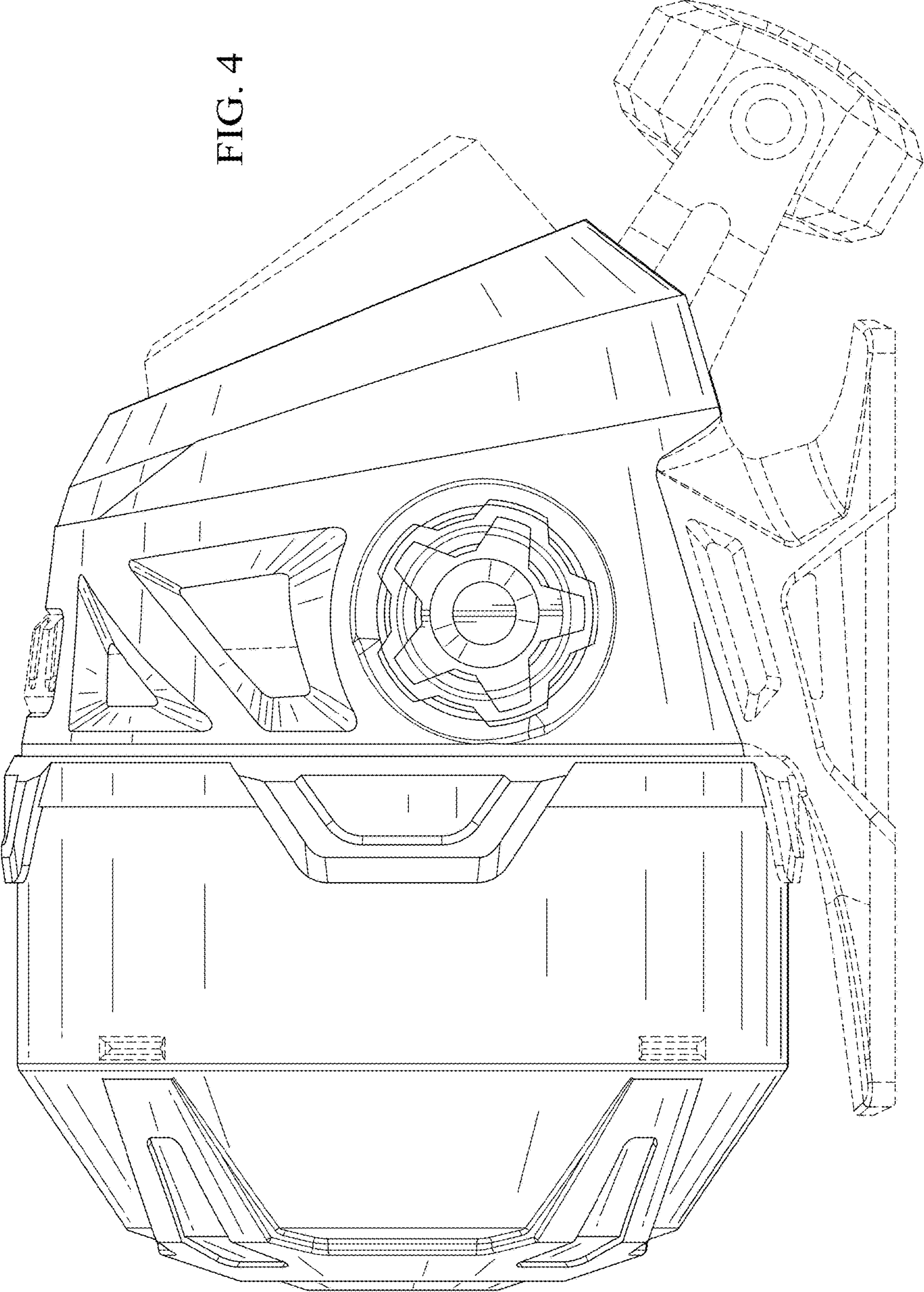


FIG. 3

FIG. 4



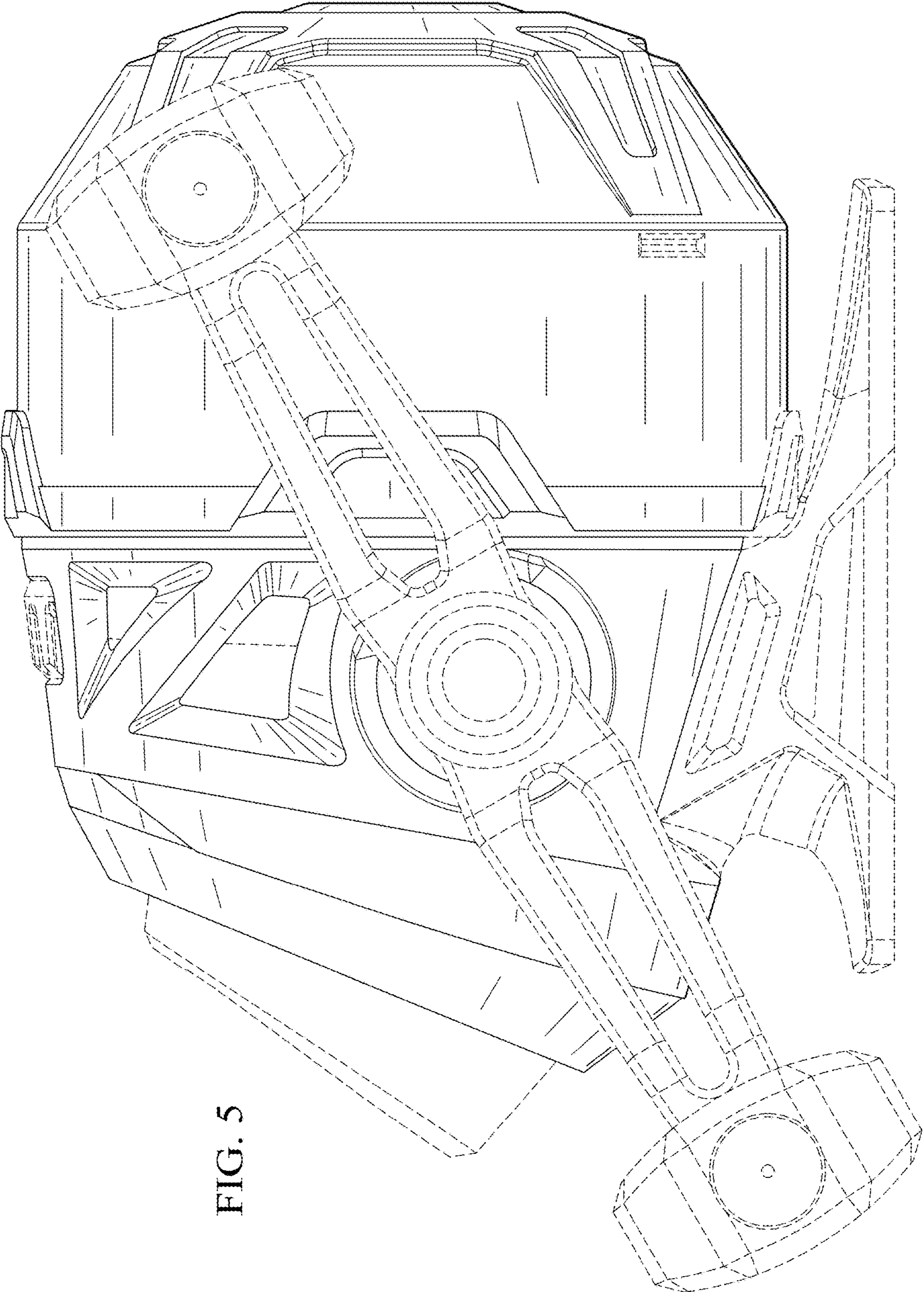
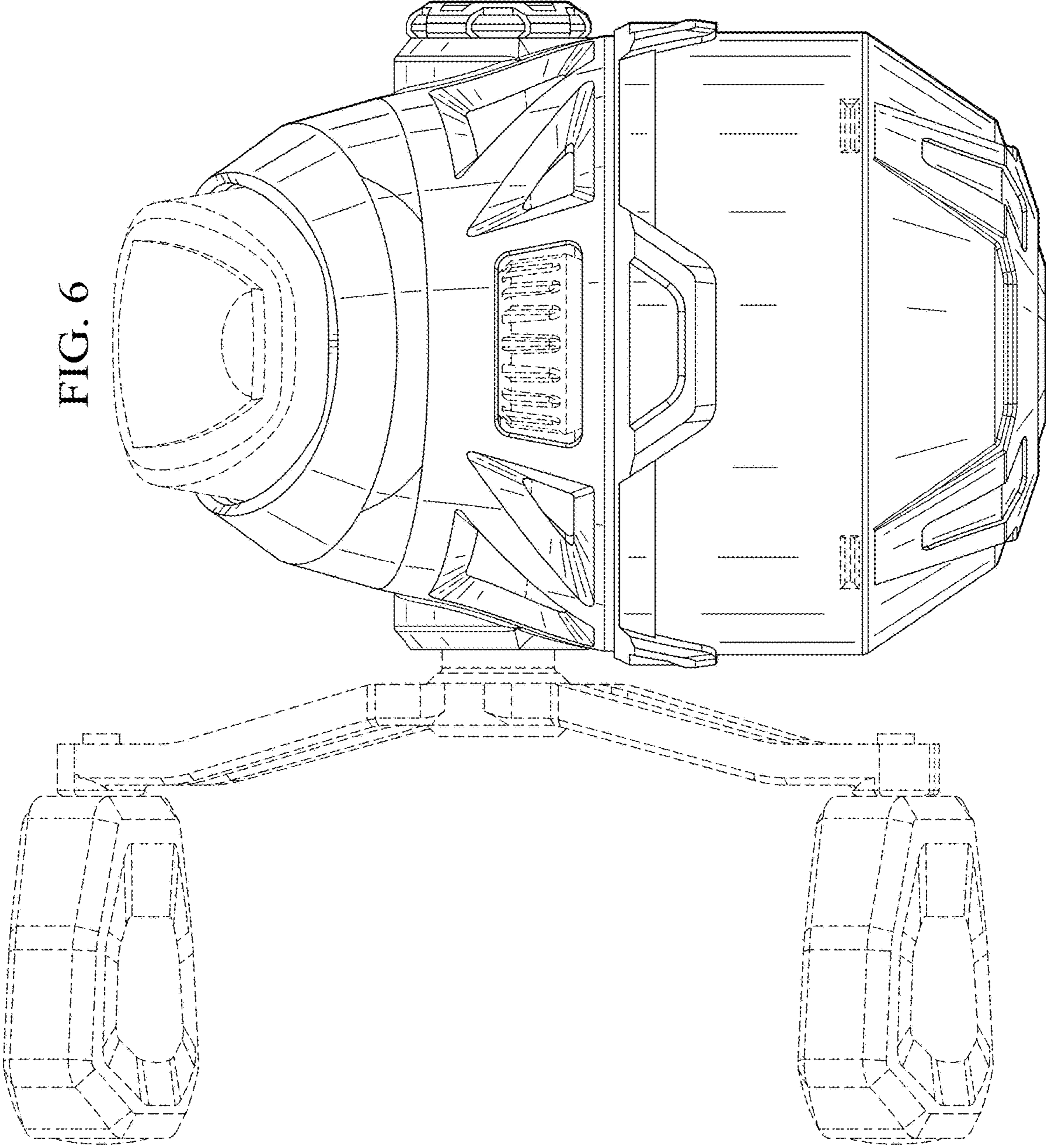


FIG. 5

FIG. 6



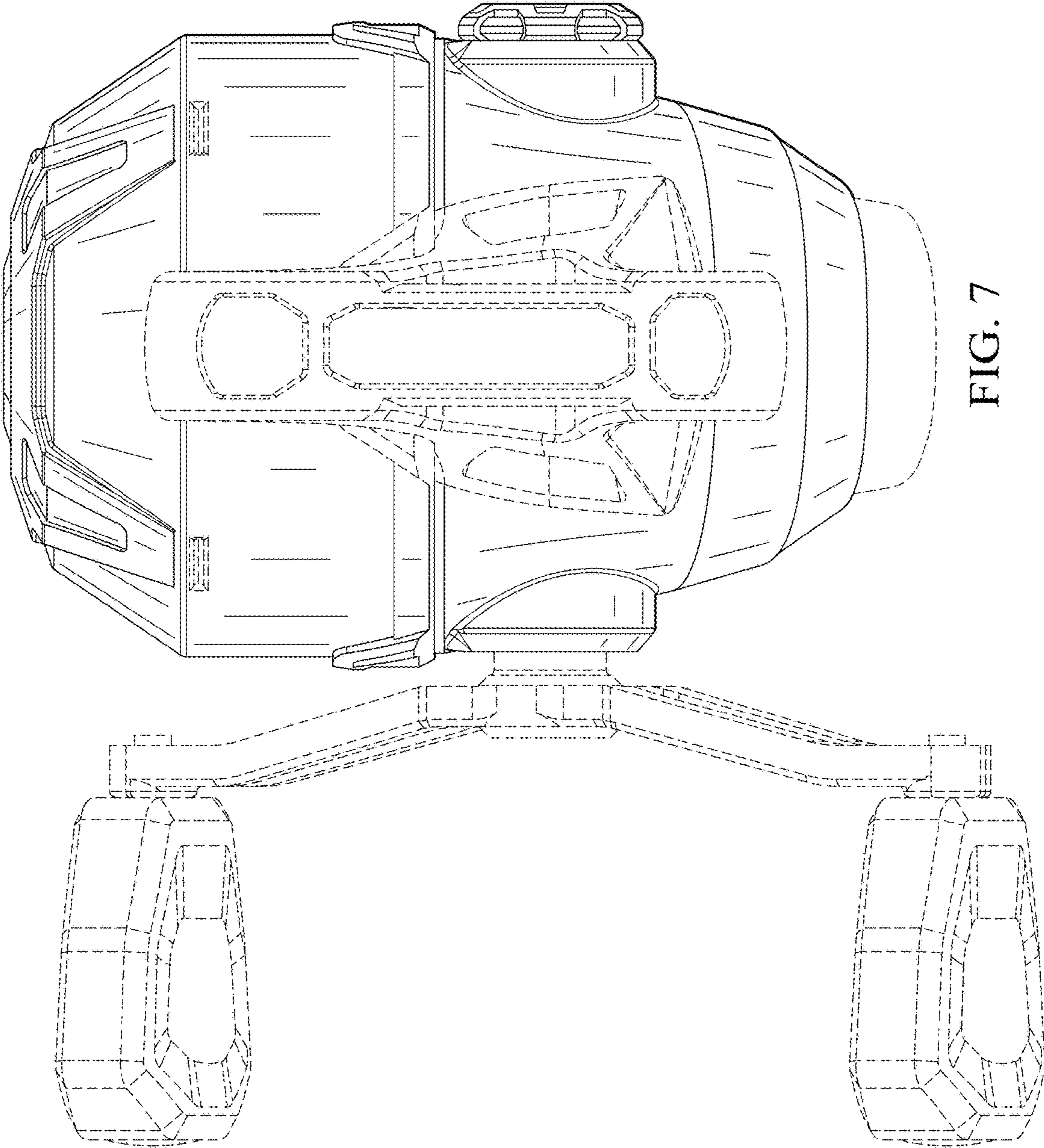


FIG. 7

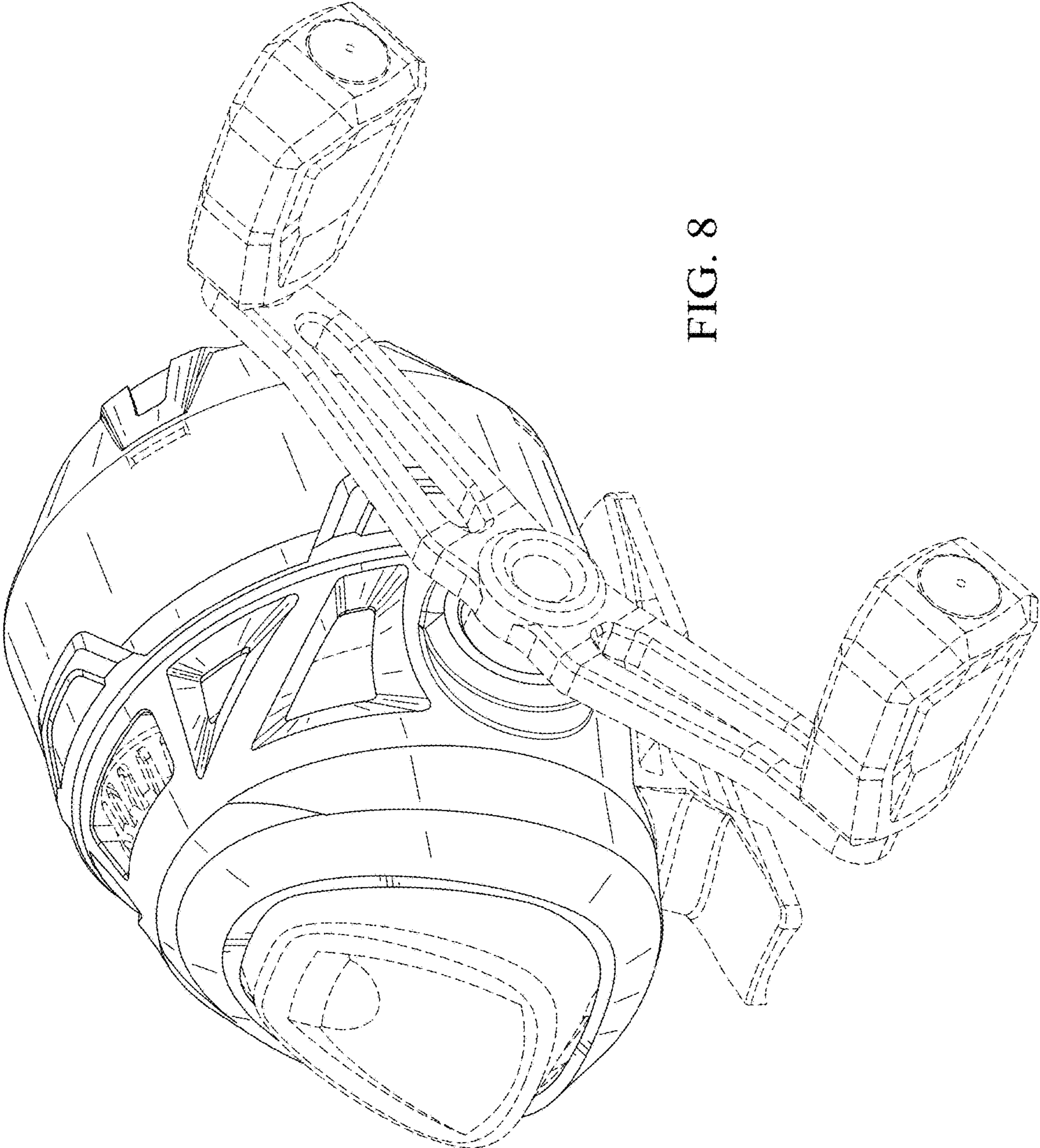


FIG. 8