



US00D861123S

(12) **United States Design Patent**  
**Constantine et al.**

(10) **Patent No.:** **US D861,123 S**

(45) **Date of Patent:** **\*\* Sep. 24, 2019**

(54) **FISHING TACKLE MODULE**

(71) Applicant: **ACME UNITED CORPORATION**,  
Fairfield, CT (US)

(72) Inventors: **Richard S. Constantine**, Monroe, CT  
(US); **Yang Tan**, Guangzhou (CN)

(73) Assignee: **ACME UNITED CORPORATION**,  
Fairfield, CT (US)

(\*\*) Term: **15 Years**

(21) Appl. No.: **29/656,882**

(22) Filed: **Jul. 17, 2018**

(51) **LOC (12) Cl.** ..... **22-05**

(52) **U.S. Cl.**  
USPC ..... **D22/136**

(58) **Field of Classification Search**  
USPC ..... D22/136; D32/29, 37, 53; 43/43.1,  
43/44.99, 55, 4.5, 100  
CPC ..... A01K 97/02; A01K 97/04; A01K 97/05;  
A01G 31/02; B63B 17/00; B65G 45/04  
See application file for complete search history.

(56) **References Cited**

U.S. PATENT DOCUMENTS

D350,632 S \* 9/1994 Cummins ..... D32/53  
D389,553 S \* 1/1998 Muto ..... D22/136  
D431,699 S \* 10/2000 Sofy ..... D32/37  
D442,668 S \* 5/2001 Tobias ..... D22/136

D462,737 S \* 9/2002 Lipari ..... D22/136  
8,875,436 B1 \* 11/2014 Bell ..... A01K 97/05  
43/55  
D760,982 S \* 7/2016 Baldwin ..... D32/53  
D820,380 S \* 6/2018 Humphreys, Jr. .... D22/136  
10,070,638 B2 \* 9/2018 Volk ..... A01K 97/05

\* cited by examiner

*Primary Examiner* — Catherine R Oliver-Garcia  
(74) *Attorney, Agent, or Firm* — Bond Schoeneck &  
King, PLLC; George McGuire

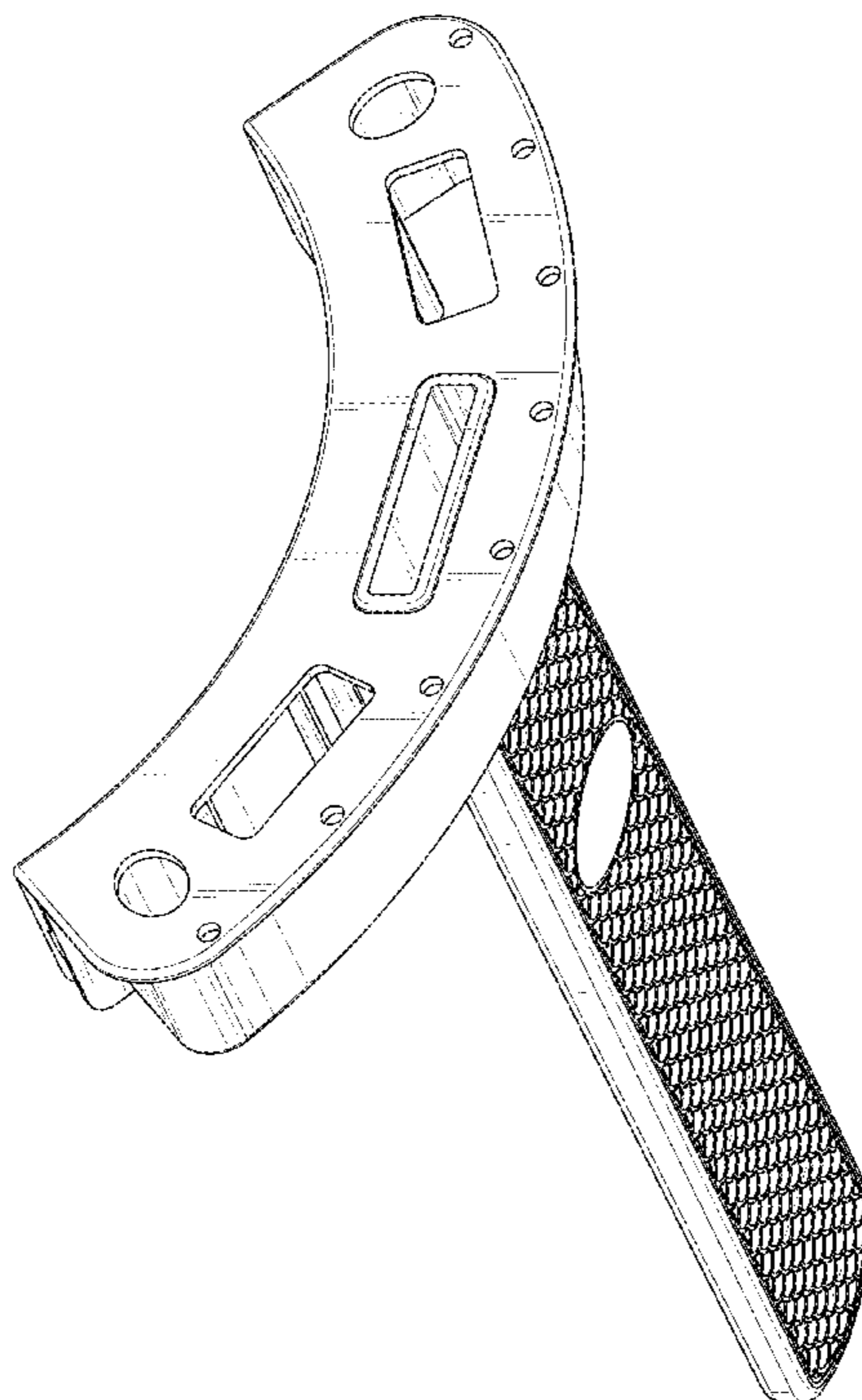
(57) **CLAIM**

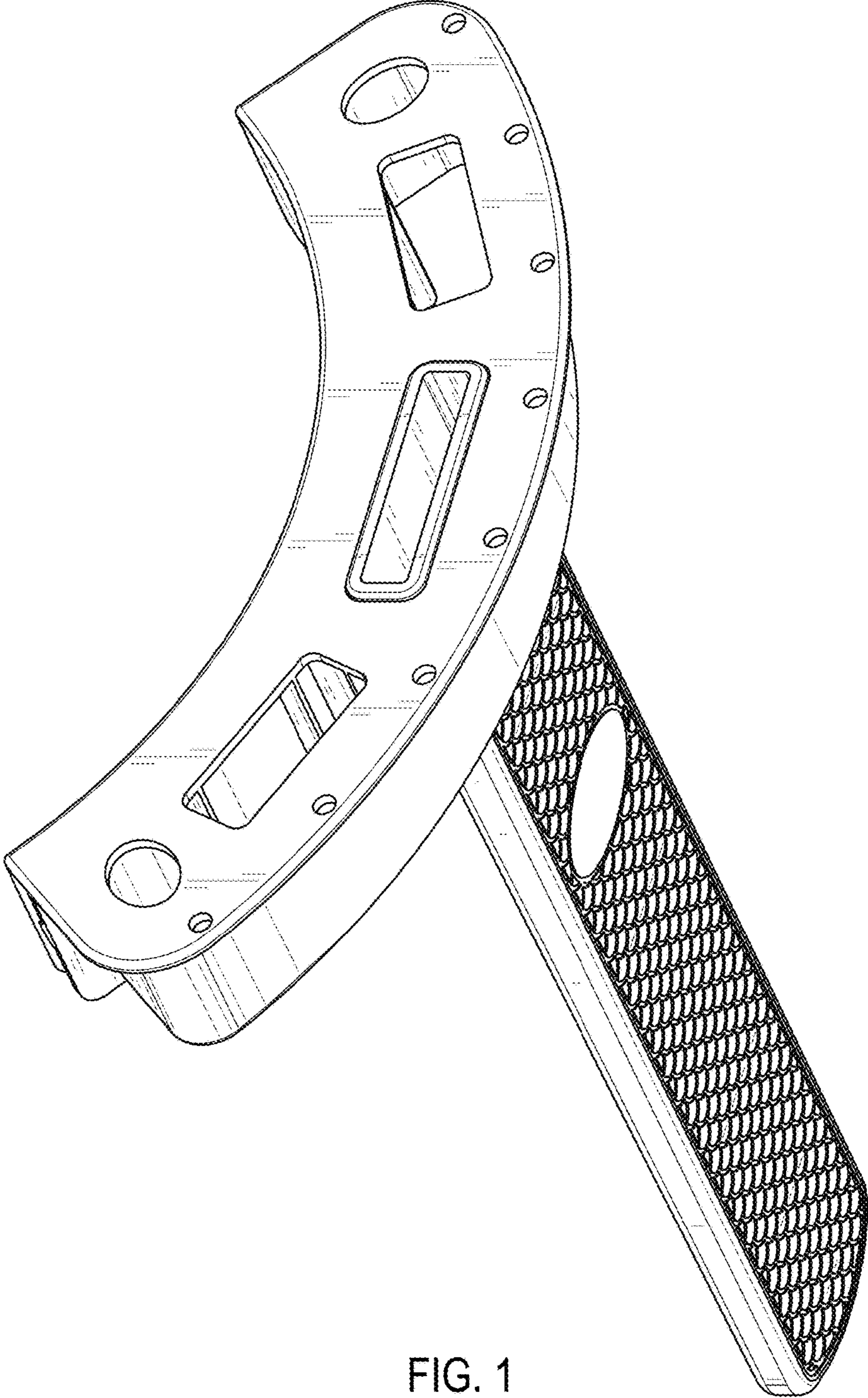
The ornamental design for a fishing tackle module, as shown  
and described.

**DESCRIPTION**

FIG. 1 is a first perspective view of a new and ornamental  
design for a fishing tackle module;  
FIG. 2 is a front elevation view thereof;  
FIG. 3 is a rear elevation view thereof;  
FIG. 4 is a first side elevation view thereof;  
FIG. 5 is a second side elevation view thereof;  
FIG. 6 is a top plan view thereof;  
FIG. 7 is a bottom plan view thereof; and,  
FIG. 8 is a perspective view showing the fishing tackle  
module attached to the rim of a fishing bucket and holding  
fishing tackle.  
The fishing bucket and fishing tackle are shown in phantom  
for environment only and form no part of the claimed  
design.

**1 Claim, 8 Drawing Sheets**





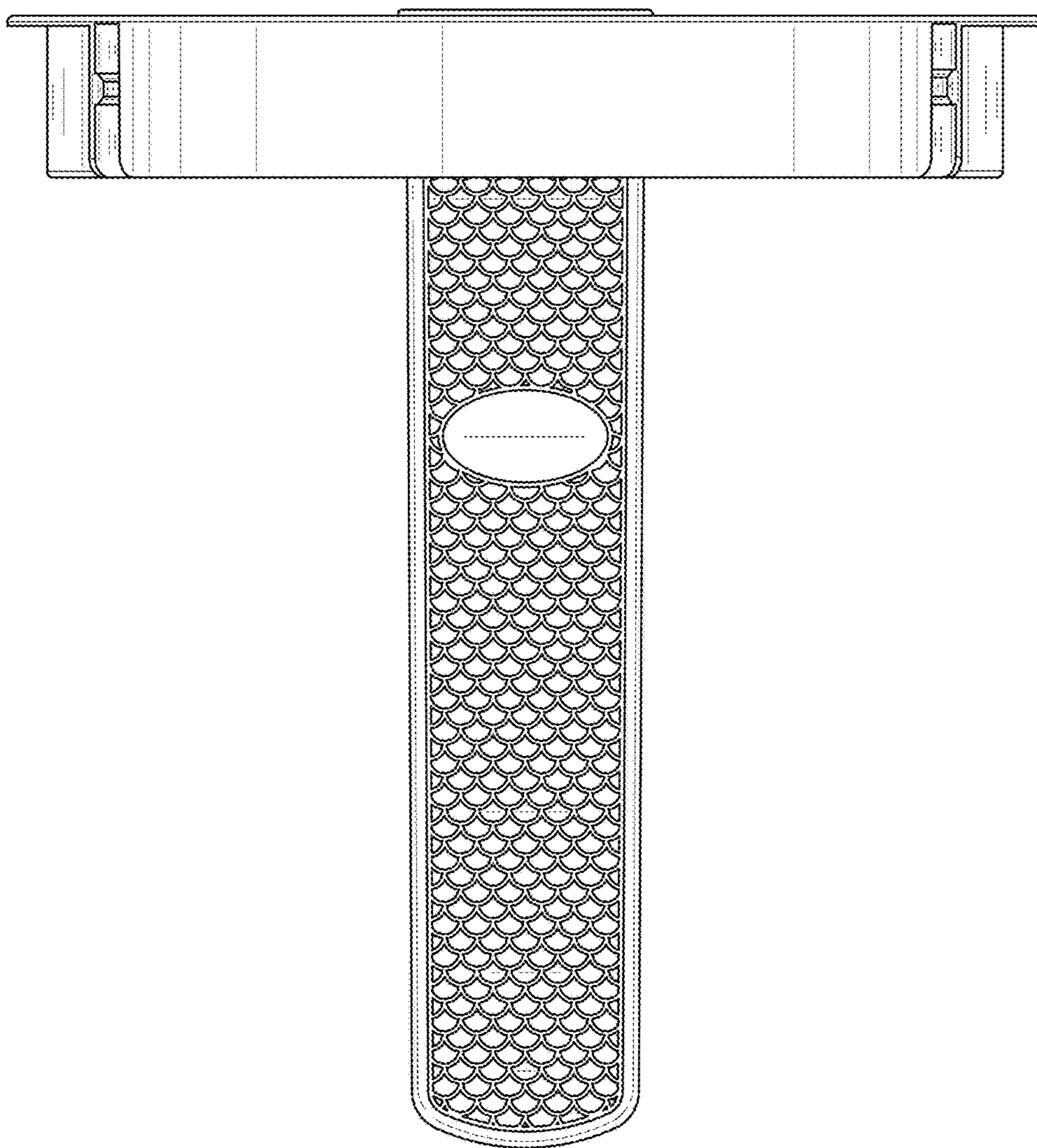


FIG. 2

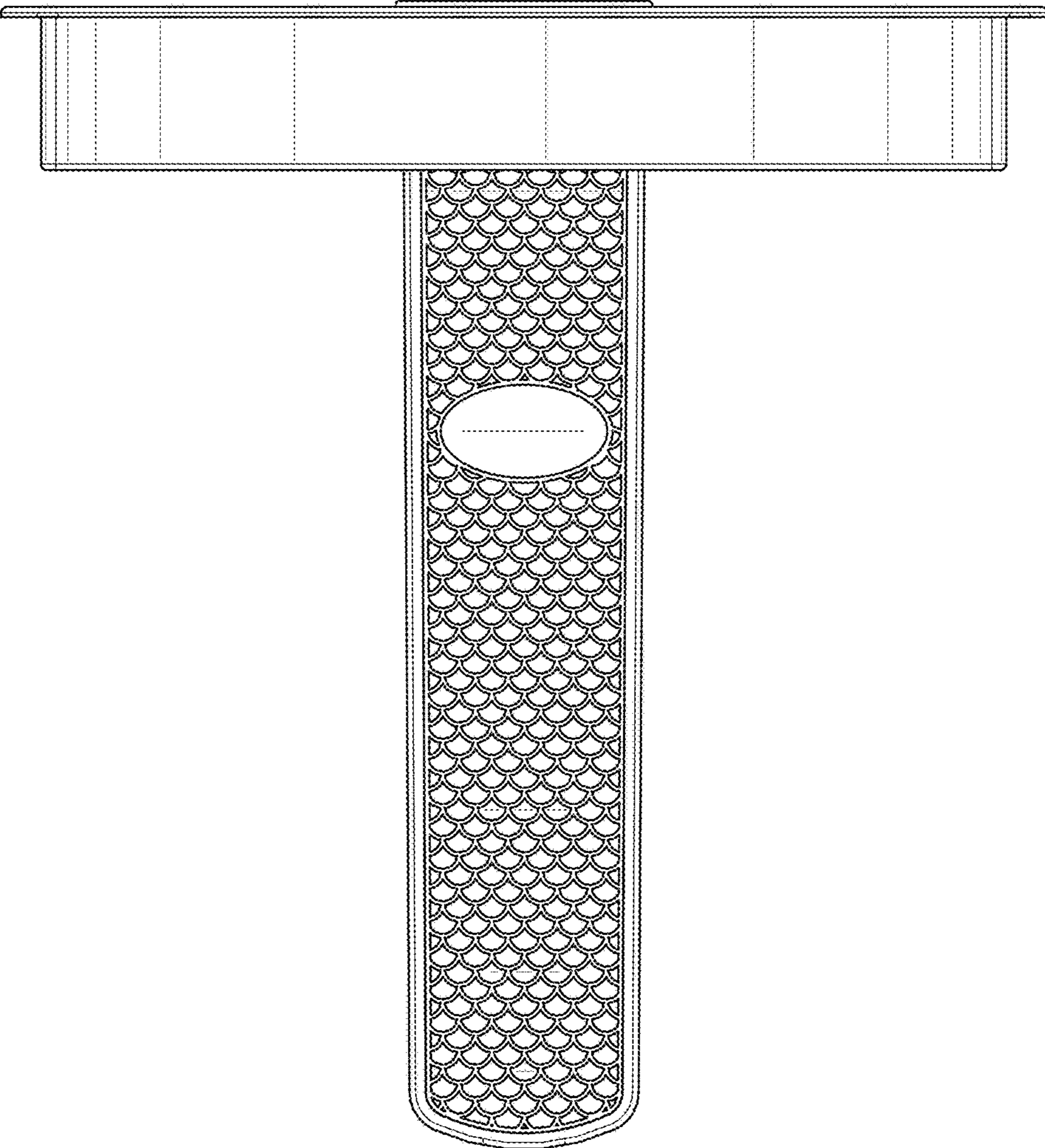


FIG. 3

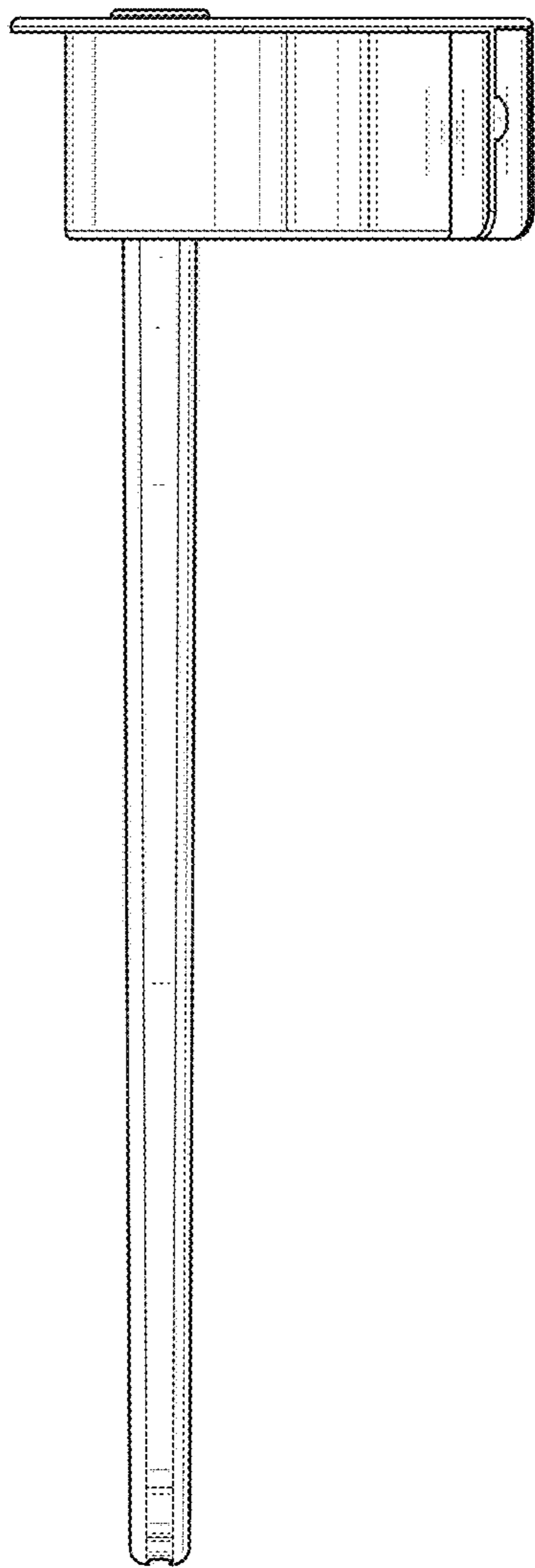


FIG. 4

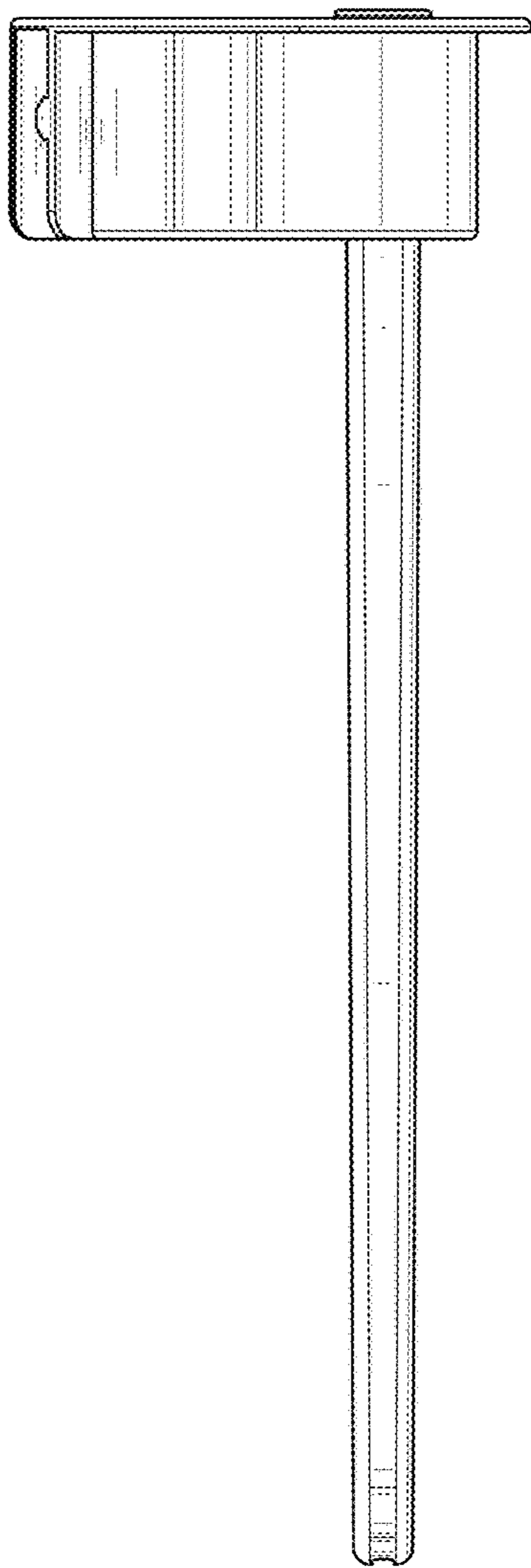


FIG. 5

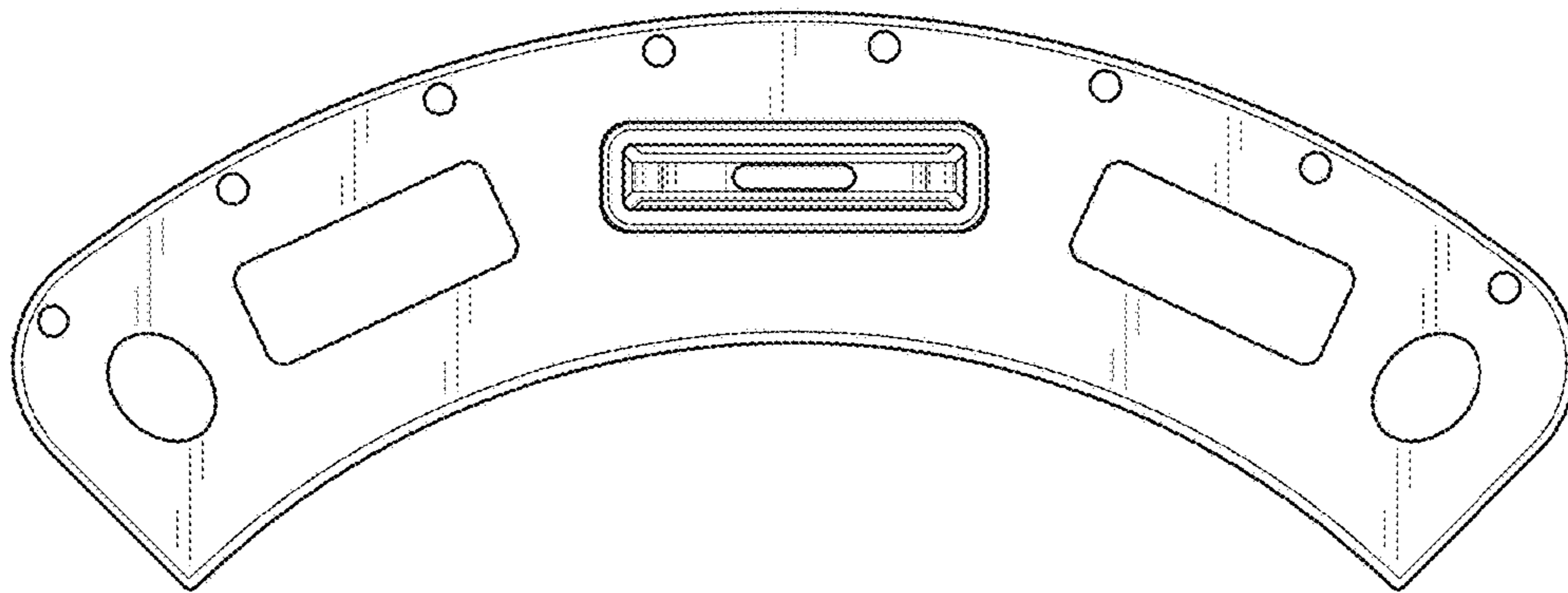


FIG. 6

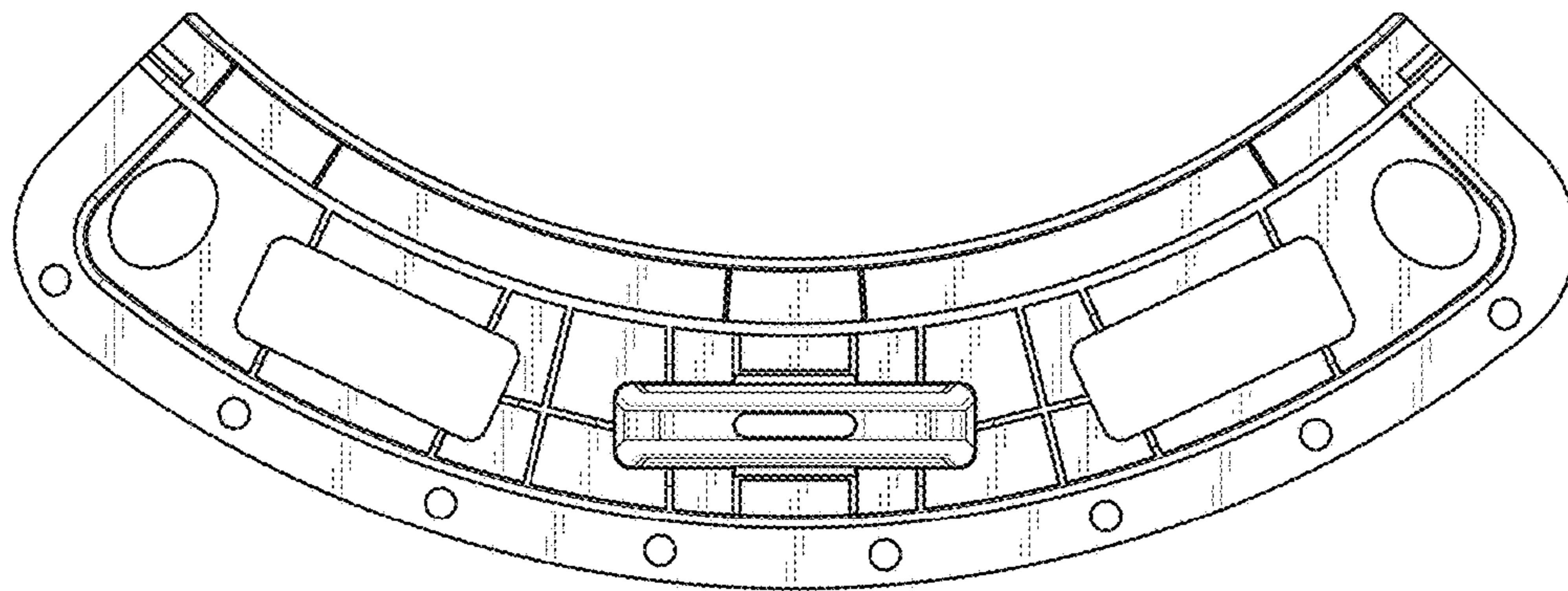


FIG. 7



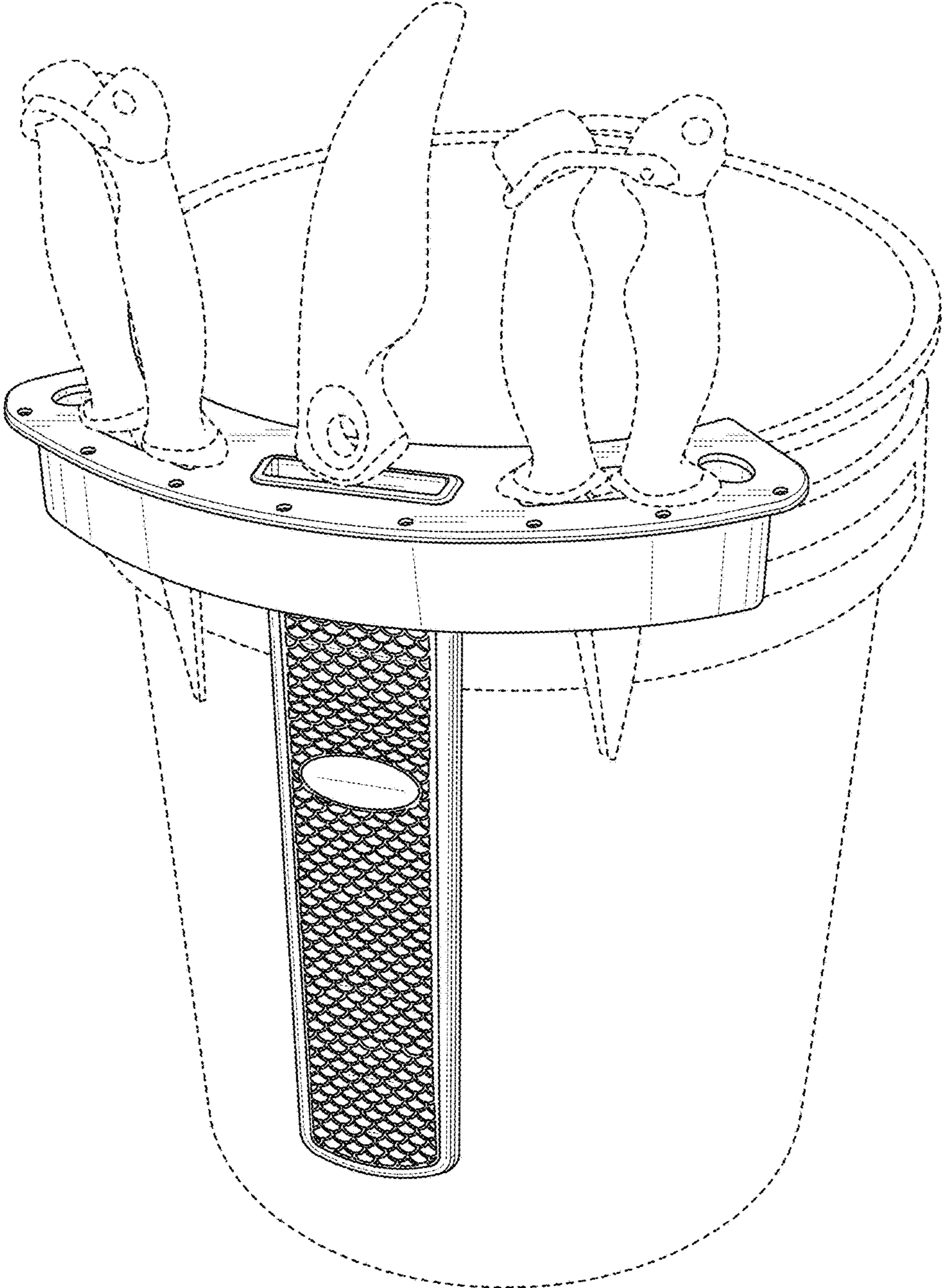


FIG. 8