



US00D861120S

(12) **United States Design Patent**
Luo

(10) **Patent No.:** **US D861,120 S**
(45) **Date of Patent:** **** Sep. 24, 2019**

- (54) **ANIMAL EXPELLER**
- (71) Applicant: **Chengyang Luo**, Shenzhen (CN)
- (72) Inventor: **Chengyang Luo**, Shenzhen (CN)
- (**) Term: **15 Years**
- (21) Appl. No.: **29/644,762**
- (22) Filed: **Apr. 20, 2018**
- (51) **LOC (12) Cl.** **22-06**
- (52) **U.S. Cl.**
USPC **D22/120**
- (58) **Field of Classification Search**
USPC D22/119–124; 43/1, 107, 121, 124, 131,
43/132.1; 239/57
CPC A01M 1/08; A01M 1/106; A01M 1/026;
A01M 1/2011; A01M 29/00; A01M
29/12; A01M 29/16; A01M 29/34; A01M
29/28; A01M 31/008; A01M 2200/011;
A01M 2200/012; A01N 25/20; A01N
37/44; A01N 43/16; A01N 49/00
See application file for complete search history.

D693,900 S *	11/2013	Jan	D22/120
D779,027 S *	2/2017	Zhang	D22/120
D823,425 S *	7/2018	Wang	D22/120
D839,987 S *	2/2019	Dai	D22/120

* cited by examiner

Primary Examiner — Catherine R Oliver-Garcia

(57) **CLAIM**

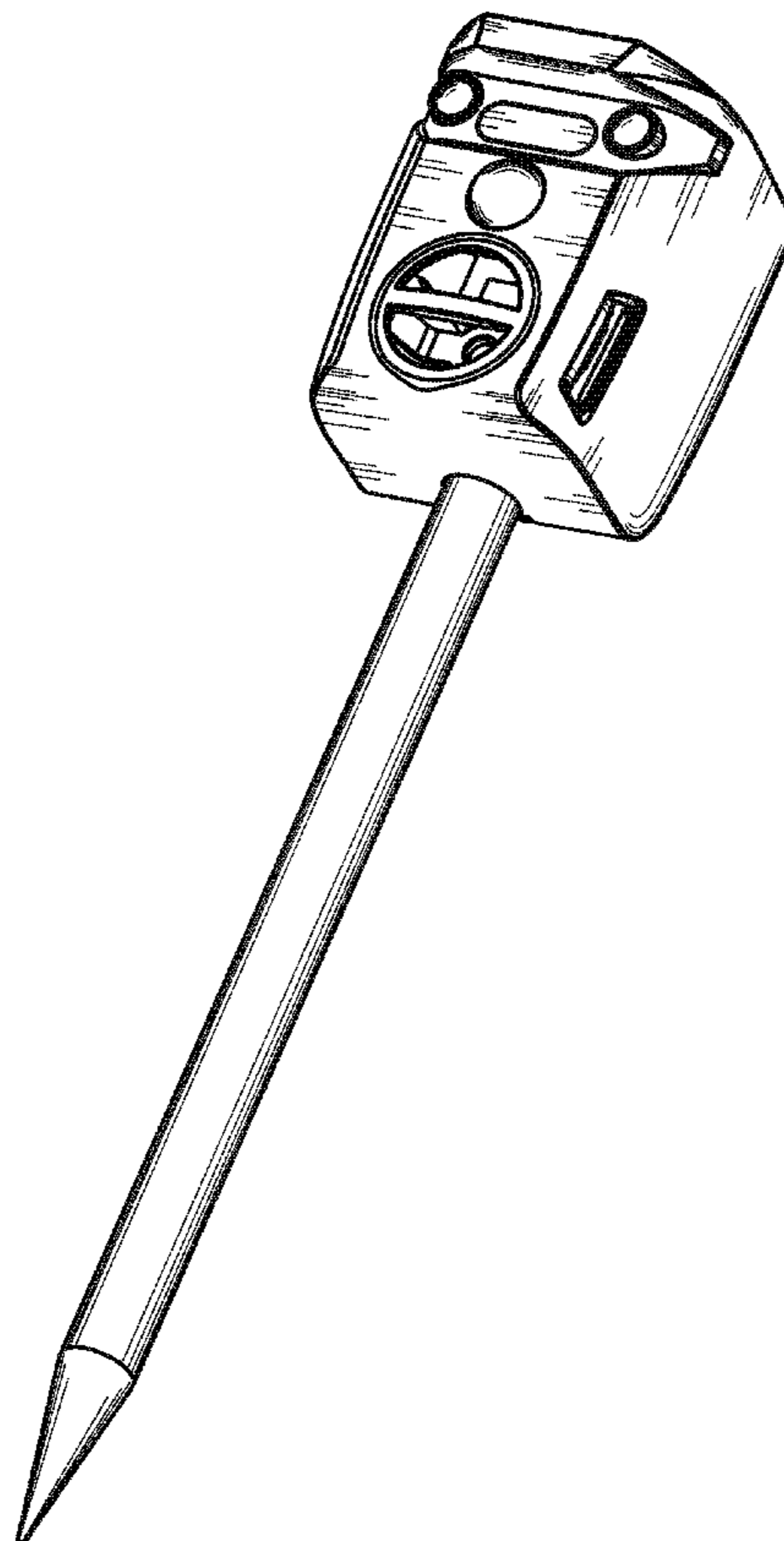
The ornamental design for an animal expeller, as shown and described.

DESCRIPTION

FIG. 1 is a left side elevational view of an animal expeller showing my new design;
 FIG. 2 is a front elevational view thereof;
 FIG. 3 is a right side elevational view thereof;
 FIG. 4 is a rear elevational view thereof;
 FIG. 5 is a top plan view thereof;
 FIG. 6 is a bottom plan view thereof; and,
 FIG. 7 is a perspective view thereof.

1 Claim, 7 Drawing Sheets

- (56) **References Cited**
U.S. PATENT DOCUMENTS
5,379,545 A * 1/1995 Gall A01M 29/12
239/57
D639,894 S * 6/2011 Feuerstein D22/120



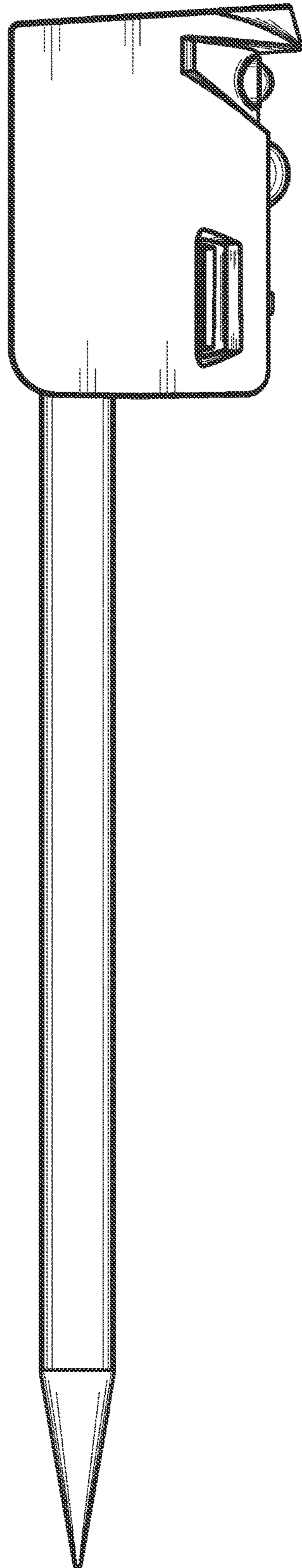


FIG. 1

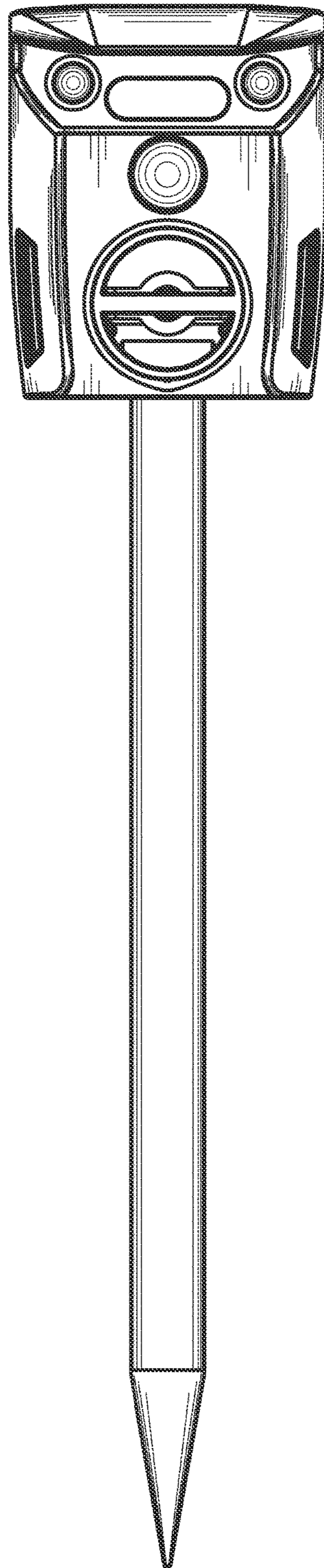


FIG. 2

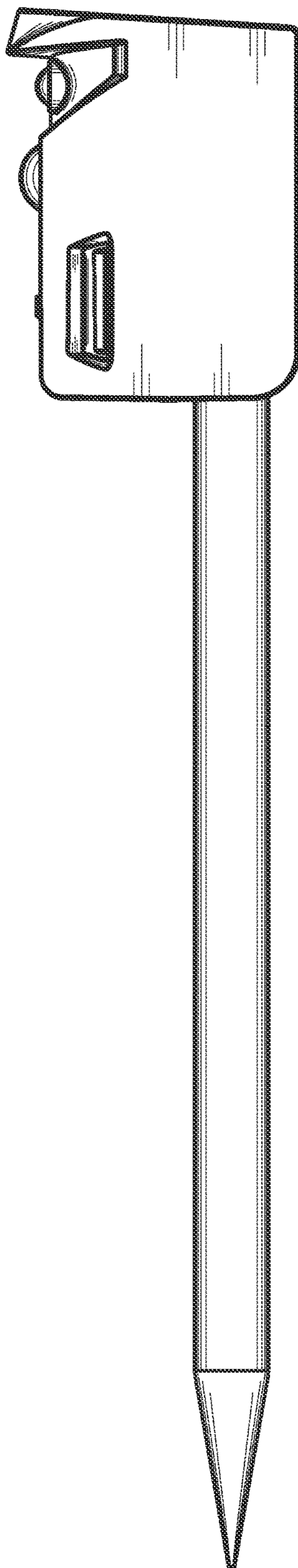


FIG. 3

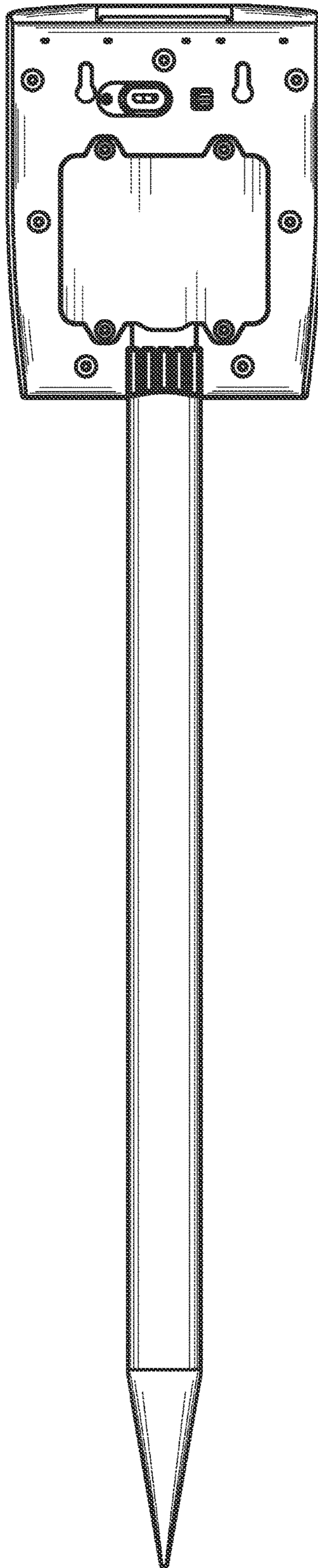


FIG. 4

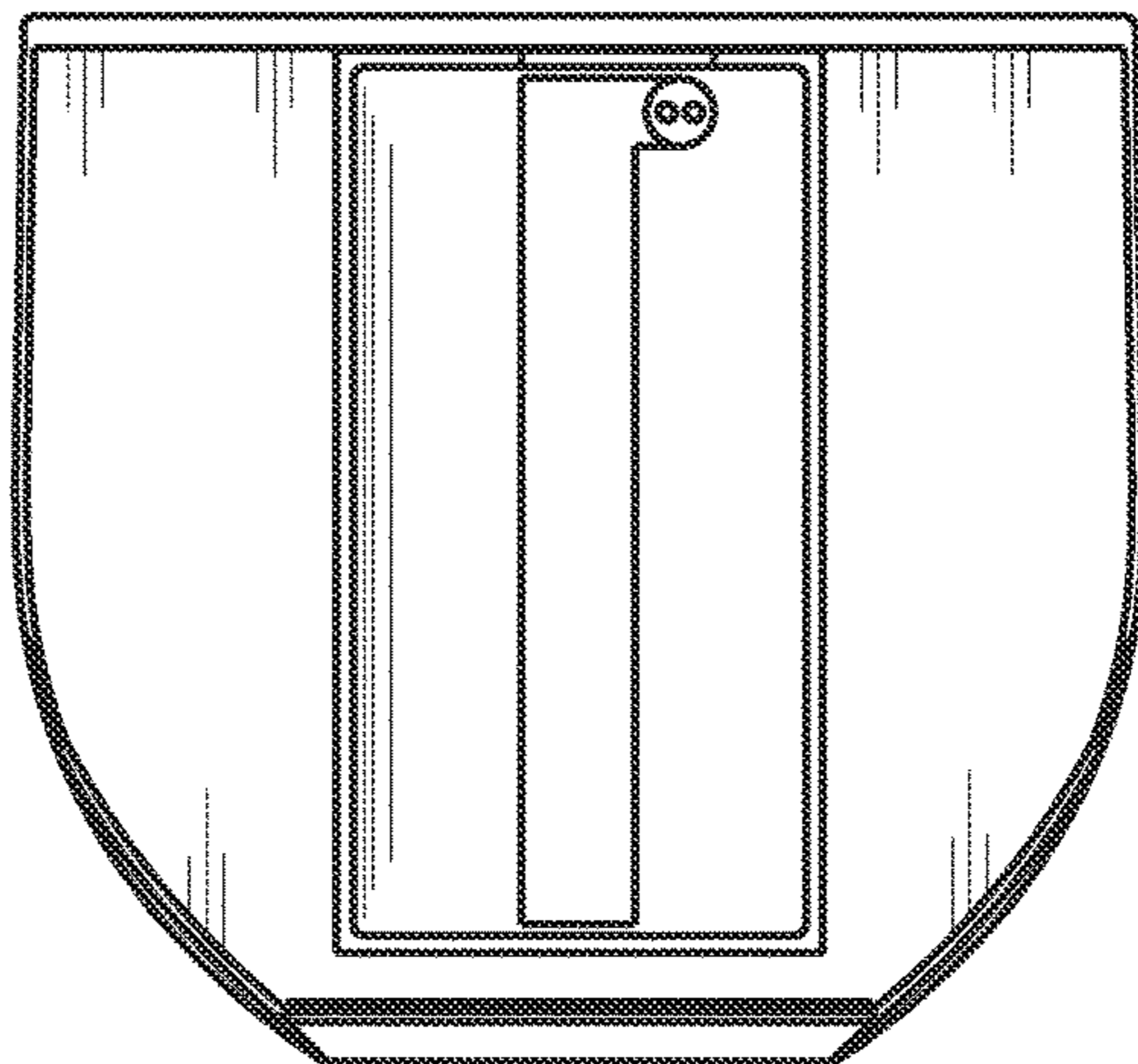


FIG. 5

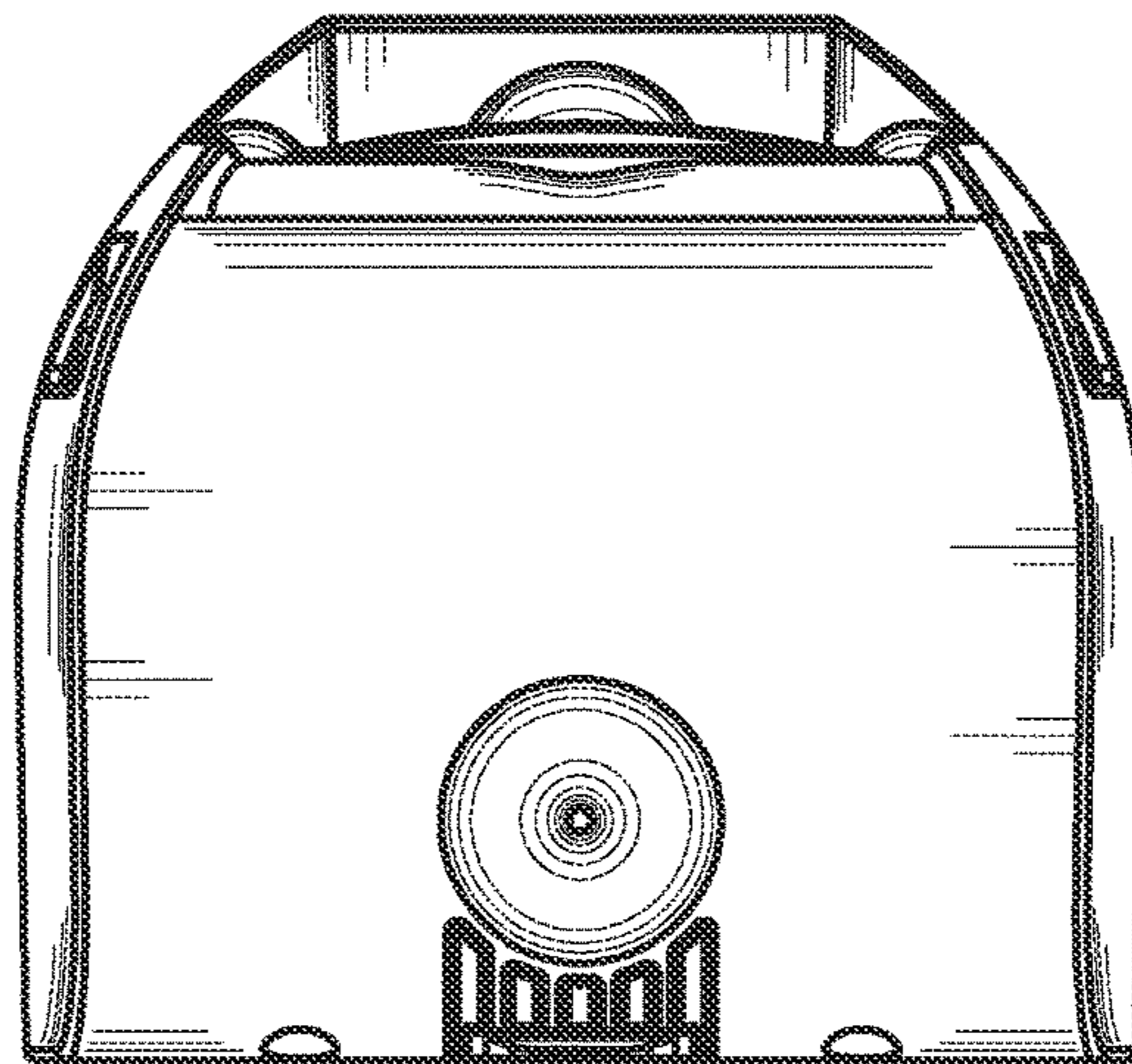


FIG. 6

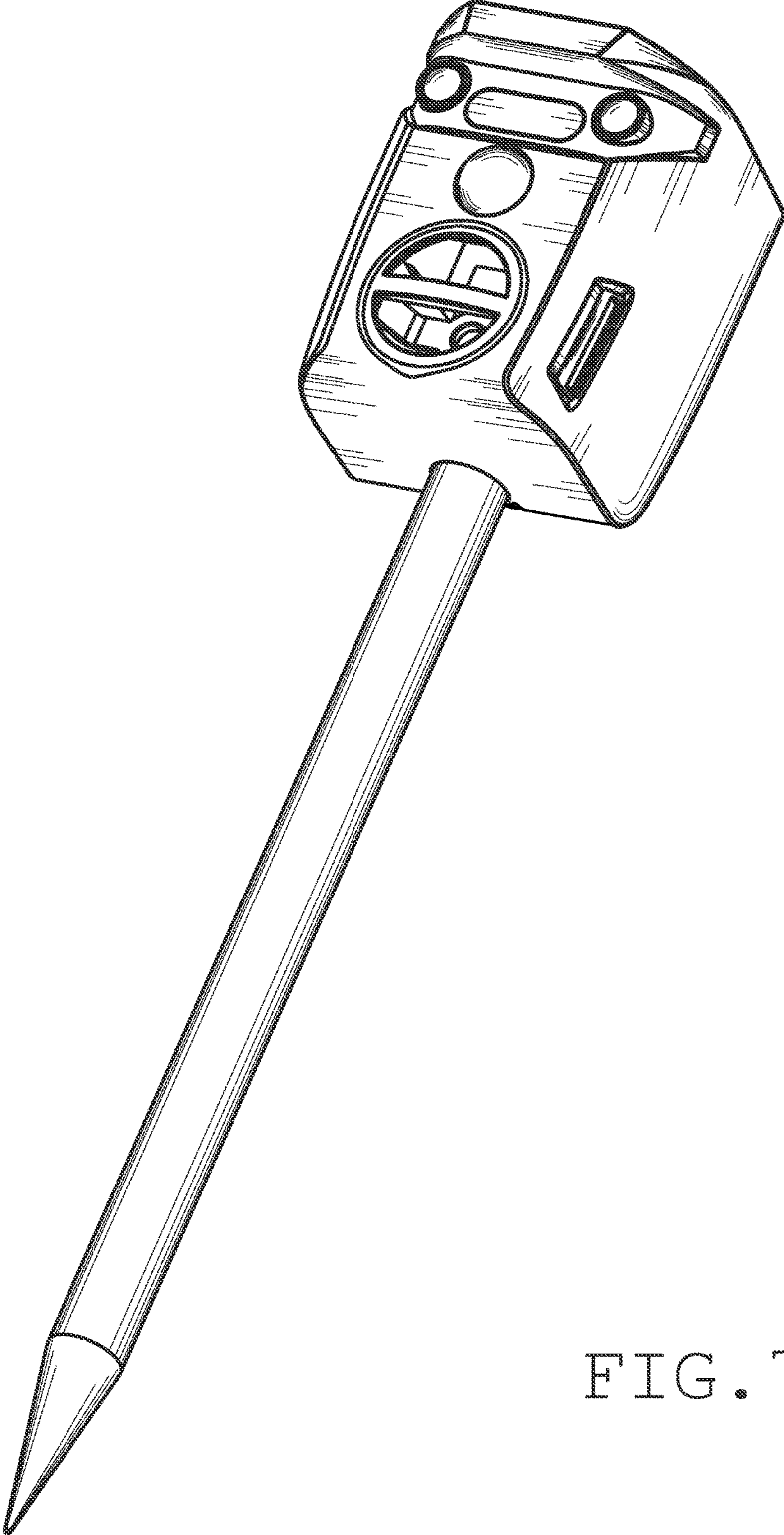


FIG. 7