



US00D861118S

(12) **United States Design Patent**
Burrow

(10) **Patent No.:** **US D861,118 S**

(45) **Date of Patent:** **** Sep. 24, 2019**

(54) **PRIMER INSERT**

(71) Applicant: **TRUE VELOCITY IP HOLDINGS, LLC**, Garland, TX (US)

(72) Inventor: **Lonnie Burrow**, Carrollton, TX (US)

(73) Assignee: **TRUE VELOCITY IP HOLDINGS, LLC**, Garland, TX (US)

(**) Term: **15 Years**

(21) Appl. No.: **29/612,269**

(22) Filed: **Jul. 31, 2017**

Related U.S. Application Data

(60) Continuation-in-part of application No. 14/748,508, filed on Jun. 24, 2015, which is a continuation of application No. 14/320,961, filed on Jul. 1, 2014, now Pat. No. 10,352,670, which is a continuation of application No. 14/011,202, filed on Aug. 27, 2013, now Pat. No. 9,546,849, which is a division of application No. 13/292,843, filed on Nov. 9, 2011, now Pat. No. 8,561,543.

(51) **LOC (12) Cl.** **22-03**

(52) **U.S. Cl.**
USPC **D22/115**

(58) **Field of Classification Search**
USPC D22/115-116
CPC F42B 30/02; F42B 5/02; F42B 5/26; F42B 12/34; F42B 8/04; F42B 10/22; F42B 8/14; F41A 9/83; F41A 9/82; F41A 9/01; F41A 9/09; F41A 9/86

See application file for complete search history.

(56) **References Cited**

U.S. PATENT DOCUMENTS

99,528 A 2/1870 Boyd
113,634 A 4/1871 Crispin
130,679 A 8/1872 Whitmore

159,665 A 2/1875 Gauthey
169,807 A 11/1875 Hart
462,611 A 11/1891 Comte de Sparre
498,856 A 6/1893 Overbaugh

(Continued)

FOREIGN PATENT DOCUMENTS

CA 2813634 A1 4/2012
DE 16742 1/1882

(Continued)

OTHER PUBLICATIONS

AccurateShooter.com Daily Bulletin "New PolyCase Ammunition and Injection-Molded Bullets" Jan. 11, 2015.

(Continued)

Primary Examiner — Michael A. Pratt

(74) *Attorney, Agent, or Firm* — Chainey P. Singleton

(57) **CLAIM**

The ornamental design for a primer insert, as shown and described.

DESCRIPTION

FIG. 1 is an isometric view of a primer insert showing my new design.

FIG. 2 is a front view of a primer insert showing my new design.

FIG. 3 is a side view of a primer insert showing my new design.

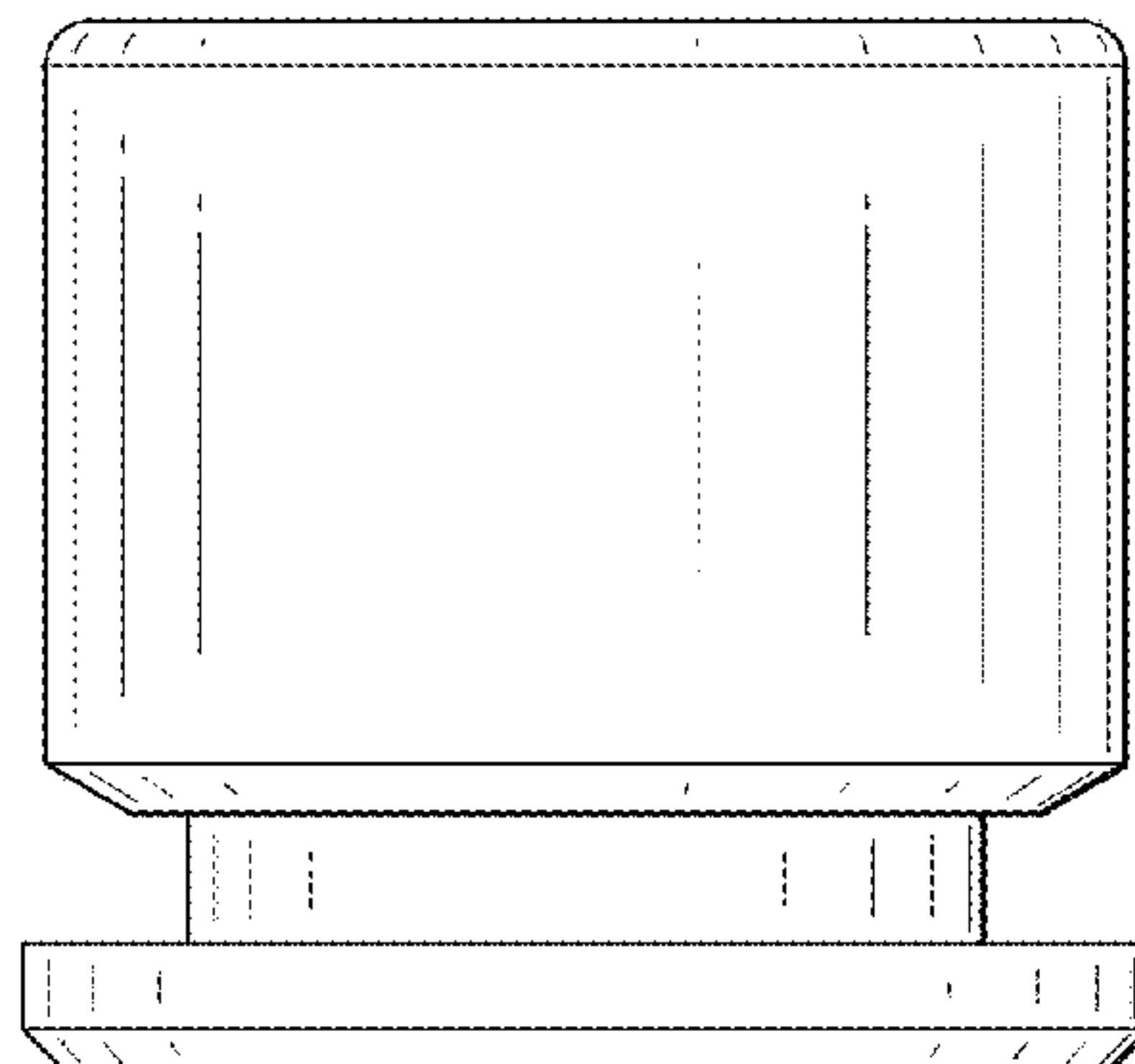
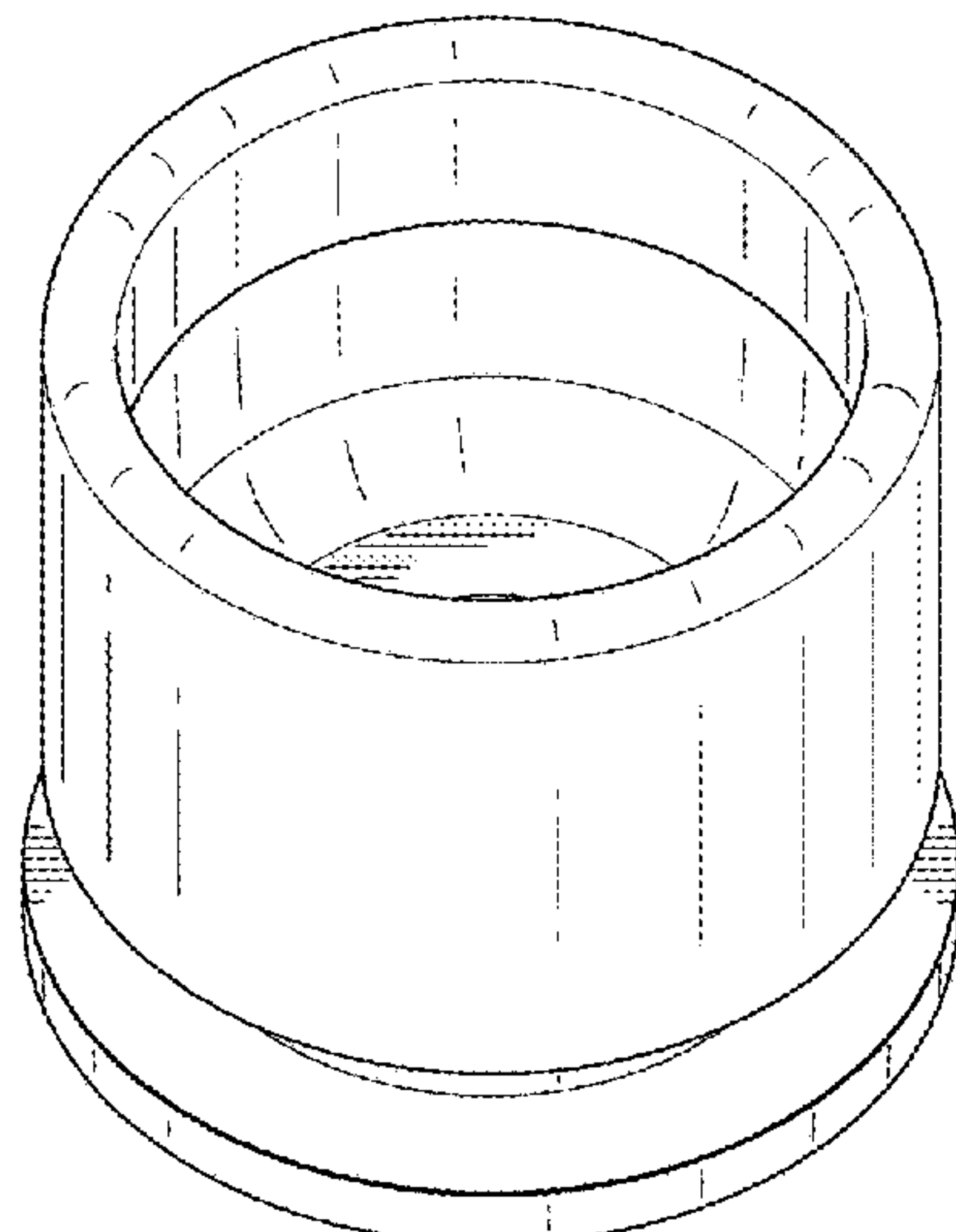
FIG. 4 is a top view of a primer insert showing my new design.

FIG. 5 is a bottom view of a primer insert showing my new design.

FIG. 6 is a cross sectional view of a primer insert showing my new design; and,

FIG. 7 is an isometric cross sectional view showing the primer insert molded into a cartridge casing.

1 Claim, 5 Drawing Sheets



(56)

References Cited

U.S. PATENT DOCUMENTS

640,856 A	1/1900	Bailey	5,969,288 A	10/1999	Baud
662,137 A	11/1900	Tellerson	6,004,682 A	12/1999	Rackovan et al.
676,000 A	6/1901	Henneberg	6,048,379 A	4/2000	Bray et al.
865,979 A	9/1907	Bailey	6,070,532 A	6/2000	Halverson
869,046 A	10/1907	Bailey	6,272,993 B1	8/2001	Cook et al.
905,358 A	12/1908	Peters	6,283,035 B1	9/2001	Olson et al.
657,171 A	5/1910	Loeb	6,357,357 B1	3/2002	Glasser
963,911 A	7/1910	Loeble	6,375,971 B1	4/2002	Hansen
1,060,817 A	5/1913	Clyne	6,450,099 B1	9/2002	Desgland
1,940,657 A *	12/1933	Woodford	6,460,464 B1	10/2002	Attarwala
			6,523,476 B1	2/2003	Riess et al.
			6,649,095 B2	11/2003	Buja
			6,708,621 B1	3/2004	Forichon-Chaumet et al.
			6,752,084 B1	6/2004	Husseini et al.
			6,840,149 B2	1/2005	Beal
			6,845,716 B2	1/2005	Husseini et al.
			7,000,547 B2	2/2006	Amick
			7,032,492 B2	4/2006	Meshirer
			7,056,091 B2	6/2006	Powers
			7,059,234 B2	6/2006	Husseini
			7,165,496 B2	1/2007	Reynolds
			7,204,191 B2	4/2007	Wiley et al.
			7,213,519 B2	5/2007	Wiley et al.
			7,231,519 B2	6/2007	Joseph et al.
			7,232,473 B2	6/2007	Elliott
			7,299,750 B2	11/2007	Schikora et al.
			7,353,756 B2	4/2008	Leasure
			7,380,505 B1	6/2008	Shiery
			7,383,776 B2	6/2008	Amick
			7,392,746 B2	7/2008	Hansen
			7,441,504 B2	10/2008	Husseini et al.
			7,461,597 B2	12/2008	Brunn
			7,585,166 B2	9/2009	Buja
			7,610,858 B2	11/2009	Chung
			7,750,091 B2	7/2010	Maljkovic et al.
			7,841,279 B2	11/2010	Reynolds et al.
			7,930,977 B2	4/2011	Klein
			8,007,370 B2	8/2011	Hirsch et al.
			8,056,232 B2	11/2011	Patel et al.
			8,156,870 B2	4/2012	South
			8,201,867 B2	6/2012	Thomeczek
			8,206,522 B2	6/2012	Sandstrom et al.
			8,240,252 B2	8/2012	Maljkovic et al.
			8,408,137 B2	4/2013	Battablia
			8,443,729 B2	5/2013	Mittelstaedt
			8,443,730 B2	5/2013	Padgett
			8,511,233 B2	8/2013	Nilsson
			8,522,684 B2	9/2013	Davies et al.
			8,540,828 B2	9/2013	Busky et al.
			8,561,543 B2	10/2013	Burrow
			8,573,126 B2	11/2013	Klein et al.
			8,641,842 B2	2/2014	Hafner et al.
			8,689,696 B1	4/2014	Seeman et al.
			8,763,535 B2	7/2014	Padgett
			8,790,455 B2	7/2014	Borissov et al.
			8,807,008 B2	8/2014	Padgett et al.
			8,813,650 B2	8/2014	Maljkovic et al.
			D715,888 S	10/2014	Padgett
			8,857,343 B2	10/2014	Marx
			8,869,702 B2	10/2014	Padgett
			8,875,633 B2	11/2014	Padgett
			8,893,621 B1	11/2014	Escobar
			8,978,559 B2	3/2015	Davies et al.
			9,003,973 B1	4/2015	Padgett
			9,032,855 B1 *	5/2015	Foren F42B 33/00 102/466
			9,091,516 B2	7/2015	Davies et al.
			9,103,641 B2	8/2015	Nielson et al.
			9,170,080 B2	10/2015	Poore et al.
			9,182,204 B2	11/2015	Maljkovic et al.
			9,200,880 B1 *	12/2015	Foren F42B 33/02
			9,212,876 B1	12/2015	Kostka et al.
			9,212,879 B2	12/2015	Whitworth
			9,213,175 B2	12/2015	Arnold
			9,254,503 B2	2/2016	Ward
			9,255,775 B1	2/2016	Rubin
			9,329,004 B2	5/2016	Pace
			9,335,137 B2	5/2016	Maljkovic et al.
			9,337,278 B1	5/2016	Gu et al.
2,294,822 A	9/1942	Albree			
2,465,962 A	3/1949	Allen et al.			
2,654,319 A *	10/1953	Roske			
2,823,611 A	2/1958	Thayer			
2,862,446 A	12/1958	Ringdal			
2,918,868 A	12/1959	Lars			
3,099,958 A	8/1963	Daubenspeck			
3,159,701 A	12/1964	Herter			
3,170,401 A	2/1965	Johnson et al.			
3,171,350 A	3/1965	Metcalf et al.			
3,242,789 A	3/1966	Woodring			
3,292,538 A *	12/1966	Umbach			
3,485,170 A	12/1969	Scanlon			
3,485,173 A	12/1969	Morgan			
3,609,904 A	10/1971	Scanlon			
3,659,528 A	5/1972	Santala			
3,688,699 A	9/1972	Horn et al.			
3,690,256 A	9/1972	Schnitzer			
3,745,924 A	7/1973	Scanlon			
3,749,021 A	7/1973	Burgess			
3,756,156 A	9/1973	Schuster			
3,765,297 A	10/1973	Skochko et al.			
3,768,413 A	10/1973	Ramsay			
3,797,396 A	3/1974	Reed			
3,842,739 A	10/1974	Scanlon et al.			
3,866,536 A	2/1975	Greenberg			
3,874,294 A	4/1975	Hale			
3,955,506 A	5/1976	Luther			
3,977,326 A	8/1976	Anderson et al.			
3,990,366 A	11/1976	Scanlon			
4,020,763 A	5/1977	Iruetagoyena			
4,147,107 A	4/1979	Ringdal			
4,157,684 A	6/1979	Clausser			
4,173,186 A	11/1979	Dunham			
4,187,271 A	2/1980	Rolston et al.			
4,228,724 A	10/1980	Leich			
4,475,435 A	10/1984	Mantel			
4,598,445 A	7/1986	O'Connor			
4,614,157 A	9/1986	Grelle et al.			
4,679,505 A	7/1987	Reed			
4,718,348 A	1/1988	Ferrigno			
4,719,859 A	1/1988	Ballreich et al.			
4,726,296 A	2/1988	Leshner et al.			
4,763,576 A	8/1988	Kass et al.			
4,867,065 A	9/1989	Kaltmann et al.			
5,021,206 A	6/1991	Stoops			
5,033,386 A	7/1991	Vatsvog			
5,063,853 A	11/1991	Bilgeri			
5,090,327 A	2/1992	Bilgeri			
5,151,555 A	9/1992	Vatsvog			
5,165,040 A	11/1992	Andersson et al.			
5,237,930 A	8/1993	Belanger et al.			
5,247,888 A	9/1993	Conil			
5,259,288 A	11/1993	Vatsvog			
5,265,540 A	11/1993	Ducros et al.			
5,433,148 A	7/1995	Barratault et al.			
5,535,495 A	7/1996	Gutowski			
5,563,365 A	10/1996	Dineen et al.			
5,770,815 A	6/1998	Watson, Jr.			
5,798,478 A	8/1998	Beal			
5,950,063 A	9/1999	Hens et al.			
5,961,200 A	10/1999	Friis			

(56)

References Cited

U.S. PATENT DOCUMENTS

9,347,457 B2 5/2016 Ahrens et al.
 9,366,512 B2 6/2016 Burczynski et al.
 9,377,278 B2 6/2016 Rubin
 9,389,052 B2 7/2016 Conroy et al.
 9,395,165 B2 7/2016 Maljkovic et al.
 D764,624 S 8/2016 Masinelli
 D765,214 S 8/2016 Padgett
 9,429,407 B2 8/2016 Burrow
 9,441,930 B2 9/2016 Burrow
 9,453,714 B2 9/2016 Bosarge et al.
 9,528,799 B2 12/2016 Maljkovic
 9,546,849 B2 1/2017 Burrow
 D778,391 S 2/2017 Burrow
 D778,393 S 2/2017 Burrow
 D778,394 S 2/2017 Burrow
 D778,395 S 2/2017 Burrow
 D779,024 S 2/2017 Burrow
 9,939,236 B2 4/2018 Drobockyi et al.
 2001/0013299 A1* 8/2001 Husseini F42B 5/307
 102/466
 2002/0084543 A1* 7/2002 Buja B29O 45/76
 264/40.4
 2003/0101891 A1 6/2003 Amick
 2003/0217665 A1 11/2003 Rennard
 2004/0159262 A1 8/2004 LeaSure
 2005/0005807 A1 1/2005 Wiley
 2005/0016411 A1 1/2005 Amick
 2005/0056183 A1 3/2005 Meshirer
 2005/0188883 A1 9/2005 Husseini et al.
 2005/0257711 A1* 11/2005 Husseini F42B 5/30
 102/466
 2005/0257712 A1* 11/2005 Husseini F42B 5/30
 102/466
 2005/0268808 A1 12/2005 Werner
 2006/0027129 A1 2/2006 Kolb et al.
 2006/0207464 A1* 9/2006 Maljkovic C08L 65/02
 102/466
 2006/0246167 A1* 11/2006 Buja B29C 45/77
 425/144
 2006/0283314 A1 12/2006 Cesaroni
 2007/0056343 A1 3/2007 Cremonesi
 2007/0214992 A1 9/2007 Dittrich
 2007/0261587 A1* 11/2007 Chung F42B 5/313
 102/469
 2009/0042057 A1 2/2009 Thomas et al.
 2009/0183850 A1* 7/2009 Morrison B22F 5/009
 164/91
 2010/0016518 A1 1/2010 El-Hibri et al.
 2010/0258023 A1 10/2010 Reynolds et al.
 2010/0282112 A1* 11/2010 Battaglia F42B 5/26
 102/467
 2010/0300319 A1 12/2010 Guindon
 2010/0305261 A1 12/2010 Maljkovic et al.
 2011/0016717 A1* 1/2011 Morrison B22F 3/105
 29/889.72
 2011/0179965 A1 7/2011 Mason
 2011/0226149 A1 9/2011 Tepe et al.
 2012/0024183 A1 2/2012 Klein
 2012/0111219 A1* 5/2012 Burrow F42B 5/307
 102/467
 2012/0152101 A1 6/2012 Engleman et al.
 2012/0180687 A1* 7/2012 Padgett F42B 5/313
 102/466
 2012/0180688 A1* 7/2012 Padgett F42B 5/313
 102/466
 2013/0014664 A1* 1/2013 Padgett F42B 5/313
 102/439
 2013/0180392 A1 7/2013 Nuetzman et al.
 2013/0186294 A1 7/2013 Davies et al.
 2014/0060372 A1* 3/2014 Padgett F42B 5/067
 102/466
 2014/0060373 A1 3/2014 Maljkovic et al.
 2014/0076188 A1 3/2014 Maljkovic et al.
 2014/0216293 A1 8/2014 Klein et al.

2014/0224144 A1 8/2014 Neugebauer
 2014/0235784 A1 8/2014 Maljkovic et al.
 2014/0260925 A1 9/2014 Beach et al.
 2014/0261046 A1 9/2014 Marx
 2014/0326157 A1 11/2014 Conroy
 2014/0345488 A1 11/2014 Schluckebier et al.
 2014/0373744 A1 12/2014 Padgett
 2015/0007716 A1 1/2015 MacVicar et al.
 2015/0033970 A1* 2/2015 Maljkovic F42B 5/307
 102/467
 2015/0033990 A1 2/2015 Yeager
 2015/0036058 A1 2/2015 Ng et al.
 2015/0075400 A1 3/2015 Lemke et al.
 2015/0219573 A1 8/2015 Lukay et al.
 2015/0226220 A1 8/2015 Bevington
 2015/0241183 A1* 8/2015 Padgett F42B 5/025
 102/466
 2015/0241184 A1 8/2015 Burrow
 2015/0260490 A1 9/2015 Burrow
 2015/0260491 A1 9/2015 Burrow
 2015/0260495 A1 9/2015 Burrow
 2015/0330756 A1 11/2015 Ward
 2015/0360587 A1 12/2015 Hoffmann et al.
 2016/0003587 A1 1/2016 Burrow
 2016/0003588 A1 1/2016 Burrow
 2016/0003589 A1 1/2016 Burrow
 2016/0003590 A1 1/2016 Burrow
 2016/0003593 A1 1/2016 Burrow
 2016/0003594 A1 1/2016 Burrow
 2016/0003595 A1 1/2016 Burrow
 2016/0003596 A1 1/2016 Burrow
 2016/0003597 A1 1/2016 Burrow
 2016/0003601 A1 1/2016 Burrow
 2016/0033241 A1 2/2016 Burrow
 2016/0033246 A1 2/2016 Burrow
 2016/0102030 A1 4/2016 Coffey et al.
 2016/0131464 A1 5/2016 Rubin
 2016/0153757 A1 6/2016 Mahnke
 2016/0161232 A1 6/2016 Rubin
 2016/0238355 A1 8/2016 Dionne et al.
 2016/0245626 A1 8/2016 Drieling et al.
 2016/0265886 A1 9/2016 Aldrich et al.
 2016/0273896 A1 9/2016 Emary
 2016/0349022 A1 12/2016 Burrow
 2016/0349023 A1 12/2016 Burrow
 2016/0349028 A1 12/2016 Burrow
 2016/0356581 A1 12/2016 Burrow
 2016/0356588 A1 12/2016 Burrow
 2016/0377399 A1 12/2016 Burrow
 2017/0080498 A1 3/2017 Burrow
 2017/0082409 A1 3/2017 Burrow
 2017/0082411 A1 3/2017 Burrow
 2017/0089672 A1 3/2017 Burrow
 2017/0089673 A1 3/2017 Burrow
 2017/0089674 A1 3/2017 Burrow
 2017/0089675 A1 3/2017 Burrow
 2017/0089679 A1 3/2017 Burrow
 2018/0259310 A1 9/2018 Burrow
 2019/0011232 A1 1/2019 Boss et al.
 2019/0011233 A1 1/2019 Boss et al.
 2019/0011235 A1 1/2019 Boss et al.
 2019/0011236 A1 1/2019 Burrow
 2019/0011237 A1 1/2019 Burrow
 2019/0011238 A1 1/2019 Burrow
 2019/0011239 A1 1/2019 Burrow
 2019/0011240 A1 1/2019 Burrow
 2019/0011241 A1 1/2019 Burrow

FOREIGN PATENT DOCUMENTS

EP 2625486 8/2013
 FR 1412414 A 10/1965
 GB 783023 A 9/1957
 WO 0034732 6/2000
 WO 2007014024 A2 2/2007
 WO 2012047615 A1 4/2012
 WO 2012097317 A2 7/2012
 WO 2012097320 A1 7/2012
 WO 2013070250 A1 5/2013

(56)

References Cited

FOREIGN PATENT DOCUMENTS

WO	2013096848	A1	6/2013
WO	2014062256	A2	4/2014
WO	2016003817	A1	1/2016

OTHER PUBLICATIONS

Korean Intellectual Property Office (ISA), International Search Report and Written Opinion for PCT/US2011/062781 dated Nov. 30, 2012, 16 pp.

Korean Intellectual Property Office (ISA), International Search Report and Written Opinion for PCT/US2015/038061 dated Sep. 21, 2015, 28 pages.

* cited by examiner

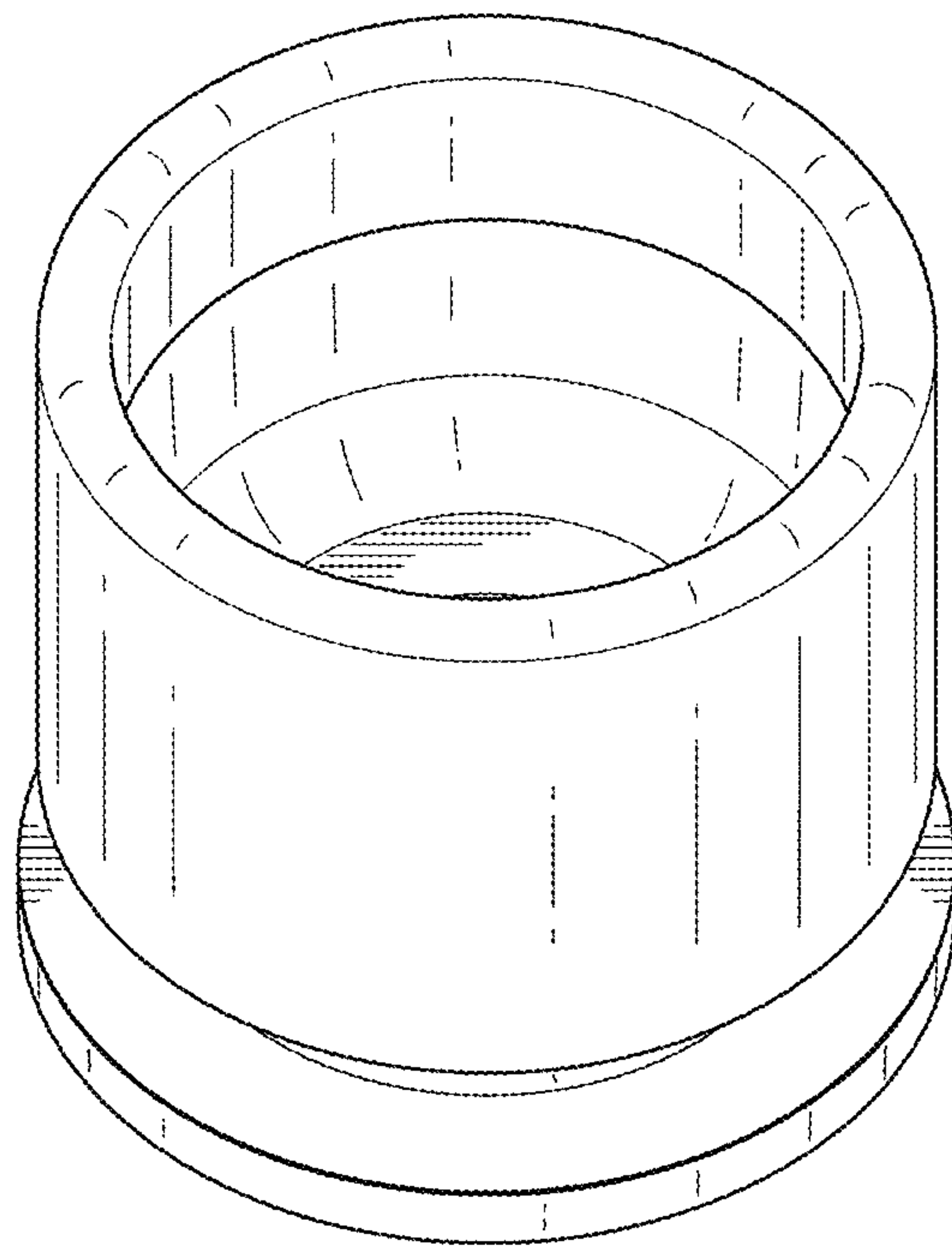


FIG. 1

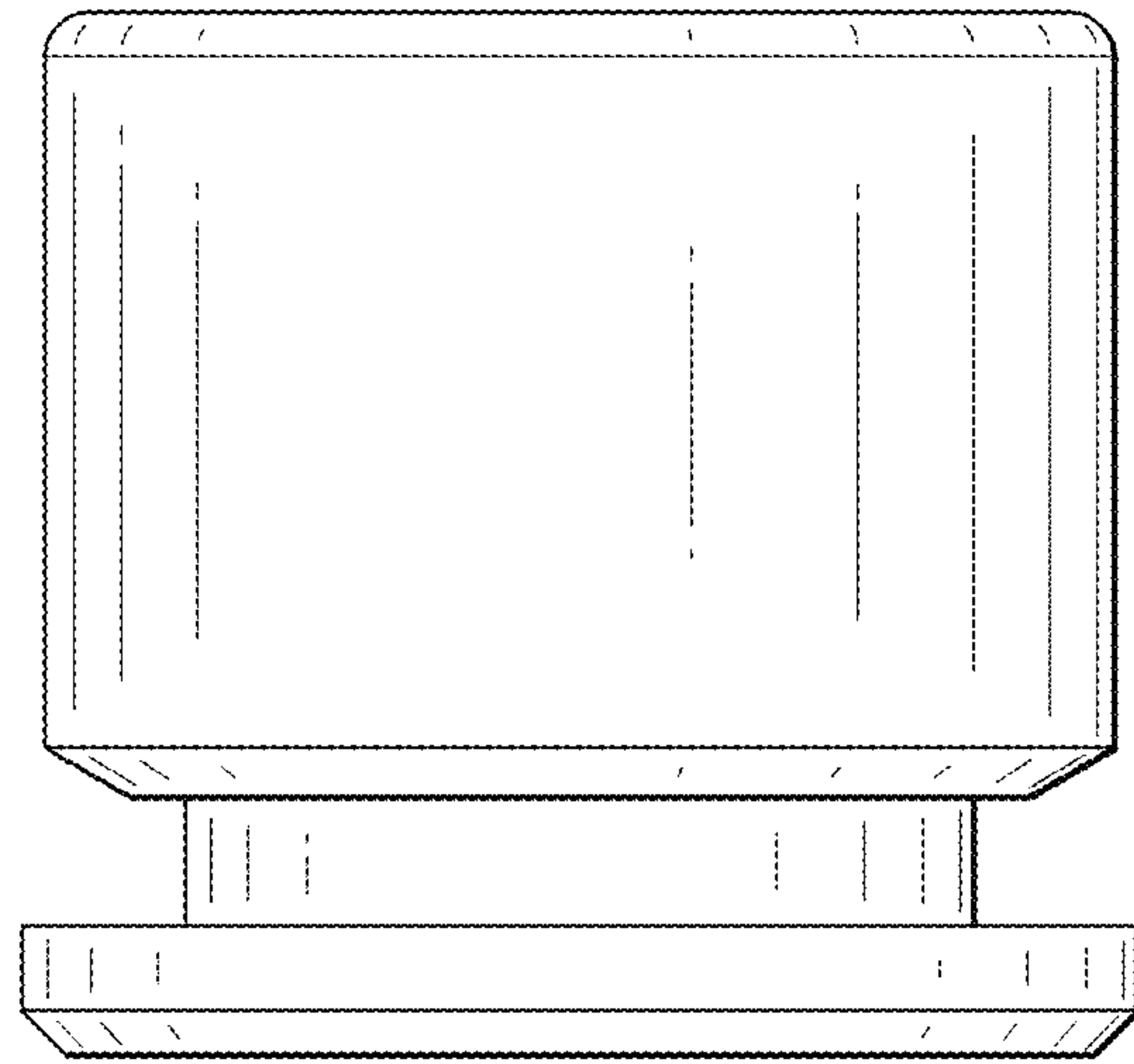


FIG. 2

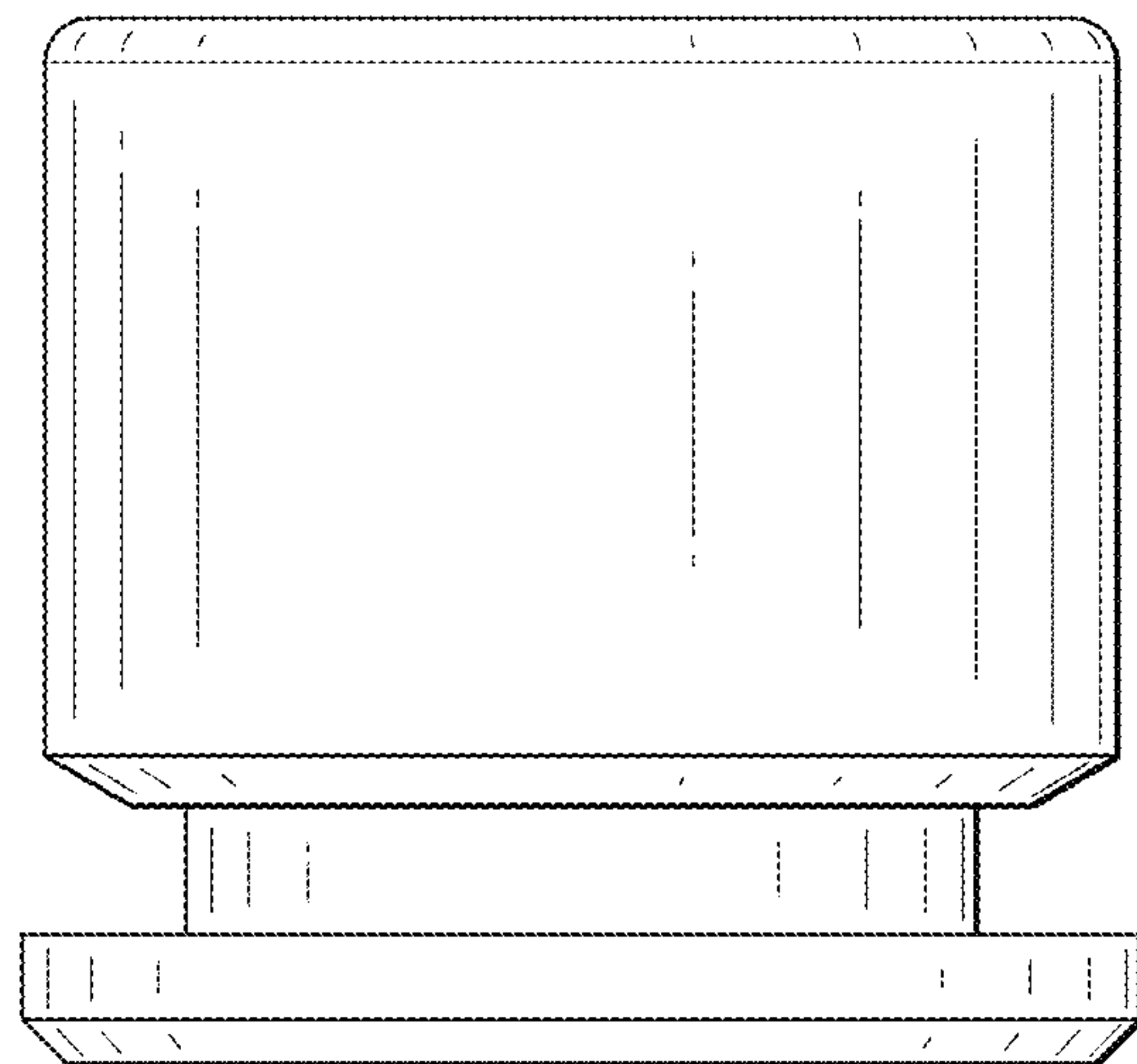


FIG. 3

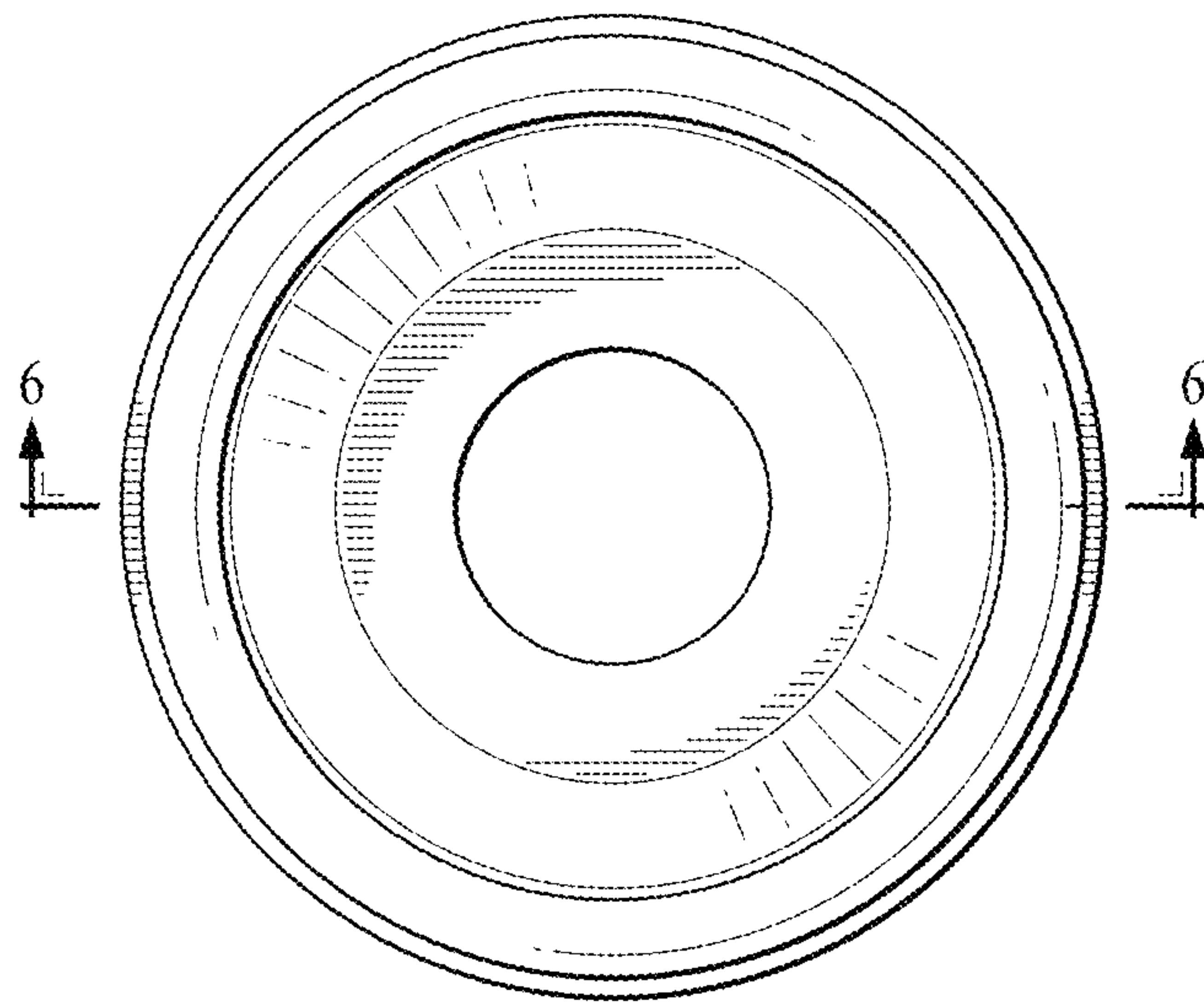


FIG. 4

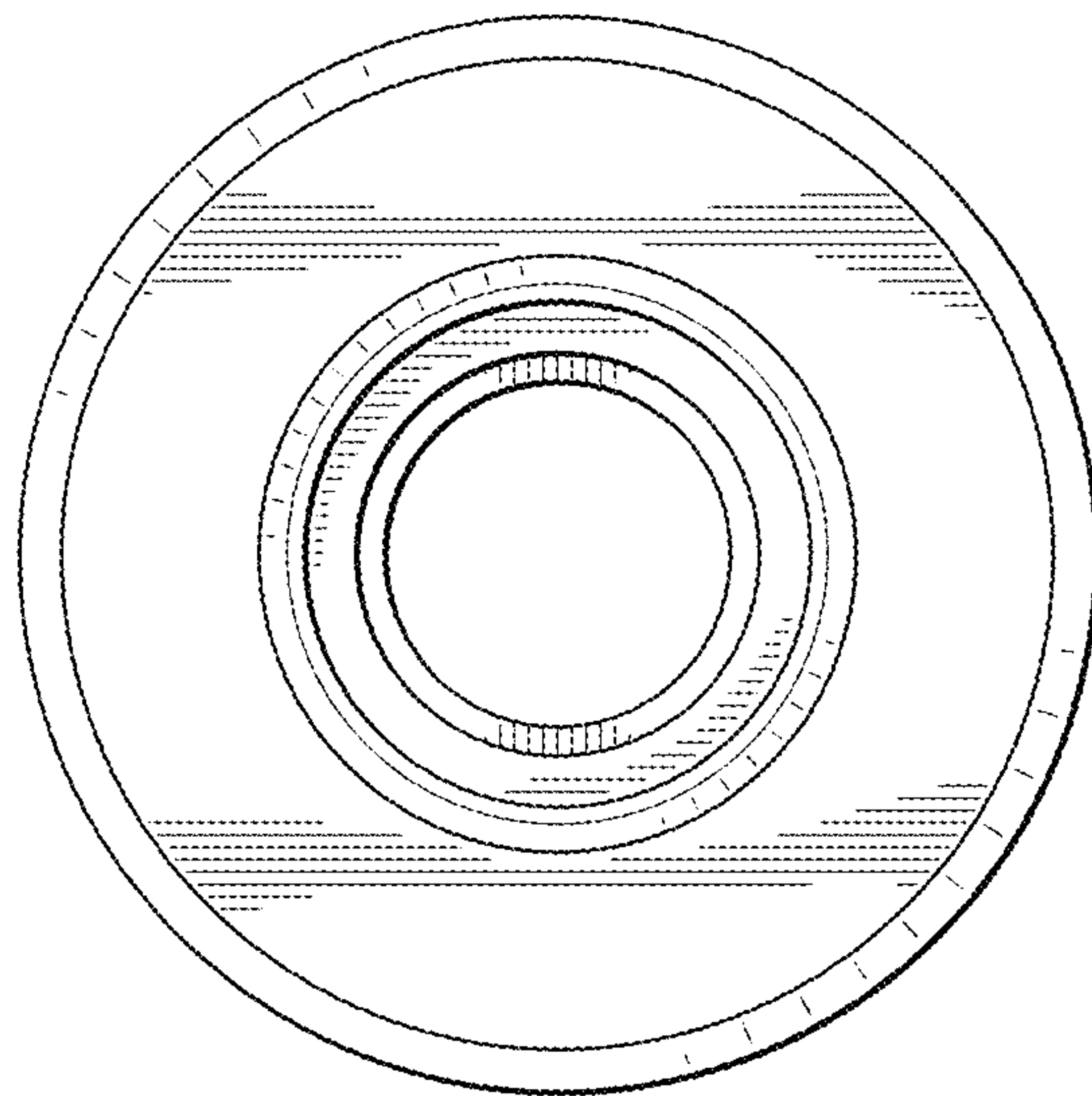


FIG. 5

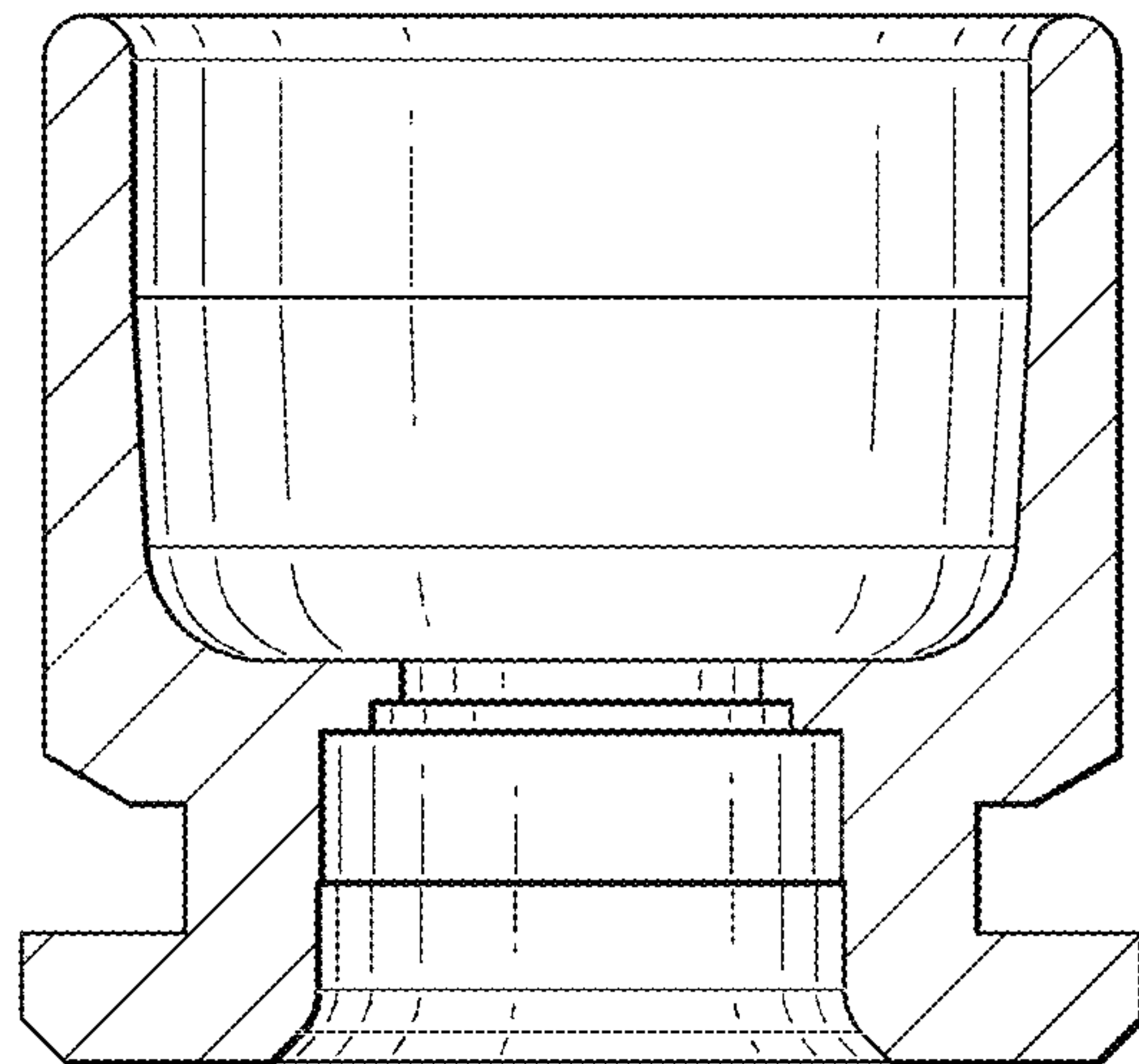


FIG. 6

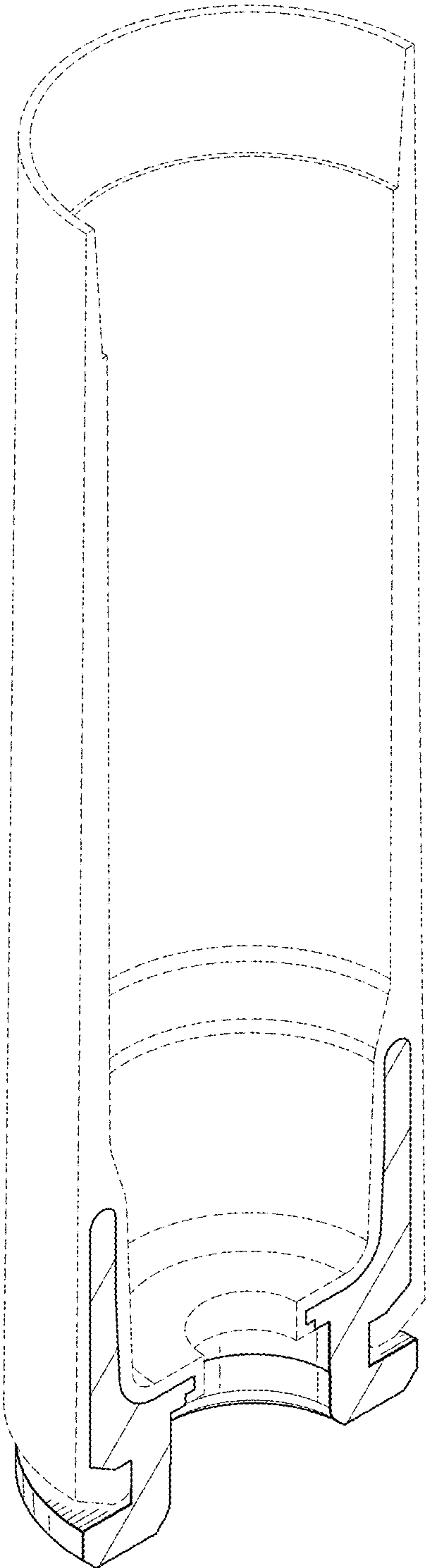


FIG. 7