



US00D861117S

(12) **United States Design Patent**  
**Johnston**

(10) **Patent No.:** **US D861,117 S**

(45) **Date of Patent:** **\*\* \*Sep. 24, 2019**

(54) **LASER DEVICE**

(71) Applicant: **Crimson Trace Corporation,**  
Wilsonville, OR (US)

(72) Inventor: **William Johnston,** Wilsonville, OR  
(US)

(73) Assignee: **CRIMSON TRACE**  
**CORPORATION,** Wilsonville, OR  
(US)

(\*) Notice: This patent is subject to a terminal disclaimer.

(\*\*) Term: **15 Years**

(21) Appl. No.: **29/623,634**

(22) Filed: **Oct. 26, 2017**

(51) **LOC (12) Cl.** ..... **22-01**

(52) **U.S. Cl.**  
USPC ..... **D22/109**

(58) **Field of Classification Search**  
USPC ..... D22/100, 101, 103, 106, 108, 109, 110,  
D22/111, 117, 199; D21/300, 301, 570,  
D21/573, 574, 575  
CPC .... F41B 5/14; F41B 5/00; F41C 27/00; F41C  
23/14; F41C 23/06; F41C 3/00; F41C  
7/00; F41C 23/20; F41C 23/08; F41C  
23/10; F41G 11/003; F41G 1/18; F41G  
1/38; F41G 1/545

See application file for complete search history.

(56) **References Cited**

**U.S. PATENT DOCUMENTS**

D603,478 S \* 11/2009 Hughes ..... F41G 11/001  
D22/110  
D636,049 S \* 4/2011 Hughes ..... F41G 11/001  
D22/109  
D636,837 S \* 4/2011 Hughes ..... F41G 11/001  
D22/109  
D669,553 S \* 10/2012 Hughes ..... D22/109

D669,958 S \* 10/2012 Essig ..... D22/108  
D669,959 S \* 10/2012 Johnston ..... D22/108  
D674,861 S \* 1/2013 Johnston ..... D22/109  
D674,862 S \* 1/2013 Johnston ..... D22/109  
D687,120 S \* 7/2013 Hughes ..... D22/109  
D692,518 S \* 10/2013 Anderson ..... D22/108  
D693,898 S \* 11/2013 Essig ..... D22/108  
D694,847 S \* 12/2013 Anderson ..... D22/108  
D694,848 S \* 12/2013 Anderson ..... D22/109  
D696,376 S \* 12/2013 Anderson ..... D22/109  
D709,981 S \* 7/2014 Johnston ..... D22/108

(Continued)

**OTHER PUBLICATIONS**

<https://www.crimsontrace.com/products/type/laserguard/01-7310>—  
Retrieved on Jul. 23, 2018.\*

(Continued)

*Primary Examiner* — Khawaja Anwar

*Assistant Examiner* — Mojtaba Tehrani

(74) *Attorney, Agent, or Firm* — Schwabe Williamson &  
Wyatt, P.C.

(57) **CLAIM**

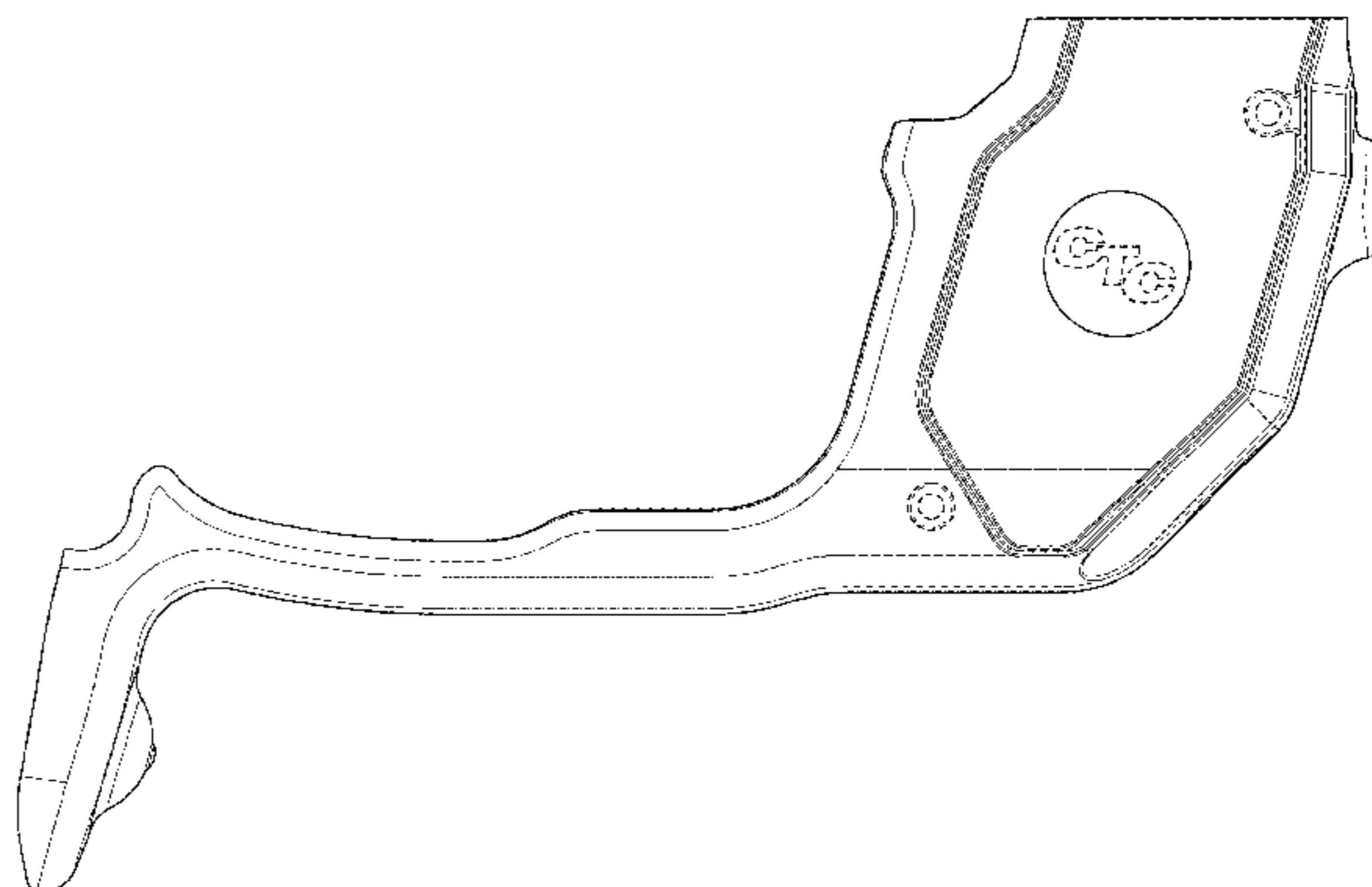
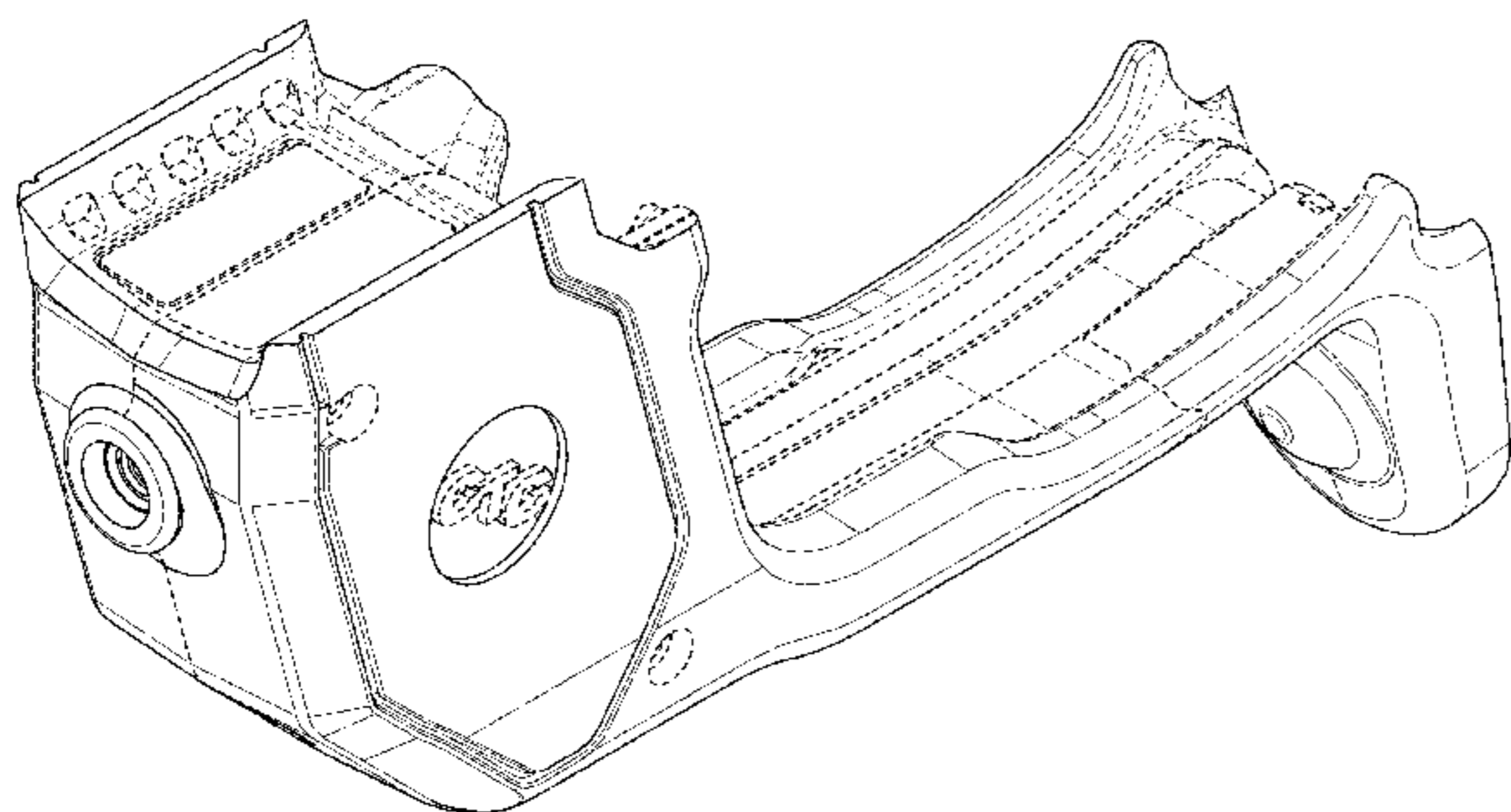
The ornamental design for a laser device, as shown and described.

**DESCRIPTION**

FIG. 1 is a perspective view of a laser device, showing our new design;  
FIG. 2 is a front view thereof;  
FIG. 3 is a rear view thereof;  
FIG. 4 is a right side view thereof;  
FIG. 5 is a left side view thereof;  
FIG. 6 is a top view thereof; and,  
FIG. 7 is a bottom view thereof.

The dashed lines in the figure drawings depict unclaimed portion of the laser device only and form no part of the claimed design.

**1 Claim, 7 Drawing Sheets**



(56)

**References Cited**

## U.S. PATENT DOCUMENTS

D738,456 S \* 9/2015 Hughes ..... D22/109  
D738,457 S \* 9/2015 Johnston ..... D22/109  
D763,400 S \* 8/2016 Johnston ..... D22/109  
D792,544 S \* 7/2017 Hartley ..... D22/108  
D802,704 S \* 11/2017 Planck ..... D22/109  
D812,179 S \* 3/2018 Anderson ..... D22/109  
D812,180 S \* 3/2018 Anderson ..... D22/109  
D812,182 S \* 3/2018 Ramasubramanian ..... D22/109  
D812,707 S \* 3/2018 Planck ..... D22/109  
D823,422 S \* 7/2018 Anderson ..... D22/109  
D831,779 S \* 10/2018 Johnston ..... D22/109  
D837,332 S \* 1/2019 Anderson ..... D22/109  
D837,928 S \* 1/2019 Planck ..... D22/109  
D851,202 S \* 6/2019 Hartley ..... D22/109  
2012/0124885 A1 \* 5/2012 Caulk ..... F41G 1/35  
42/146  
2012/0144718 A1 \* 6/2012 Danielson ..... F41G 1/35  
42/117  
2013/0074351 A1 \* 3/2013 Kowalczyk ..... G01B 11/27  
33/286

## OTHER PUBLICATIONS

<https://www.amazon.com/Crimson-Trace-Red-Laserguard-Ruger/dp/B00TI7CMFC>—Earliest product review date of Mar. 27, 2018.\*  
“Crimson Trace LG-497 laserguard for Ruger LCP II” [online]. crimsontrace.com. [Retrieved on Jul. 23, 2018]. Retrieved from the Internet: <https://www.crimsontrace.com/products/type/laserguard/01-7310>.\*

“Crimson Trace Red Laserguard for Ruger LCP II—LG-497” [online]. Crimson Trace. [Earliest product review date of Mar. 27, 2018]. Retrieved from the Internet: <https://www.amazon.com/Crimson-Trace-Red-Laserguard-Ruger/dp/B00TI7CMFC>.\*

\* cited by examiner

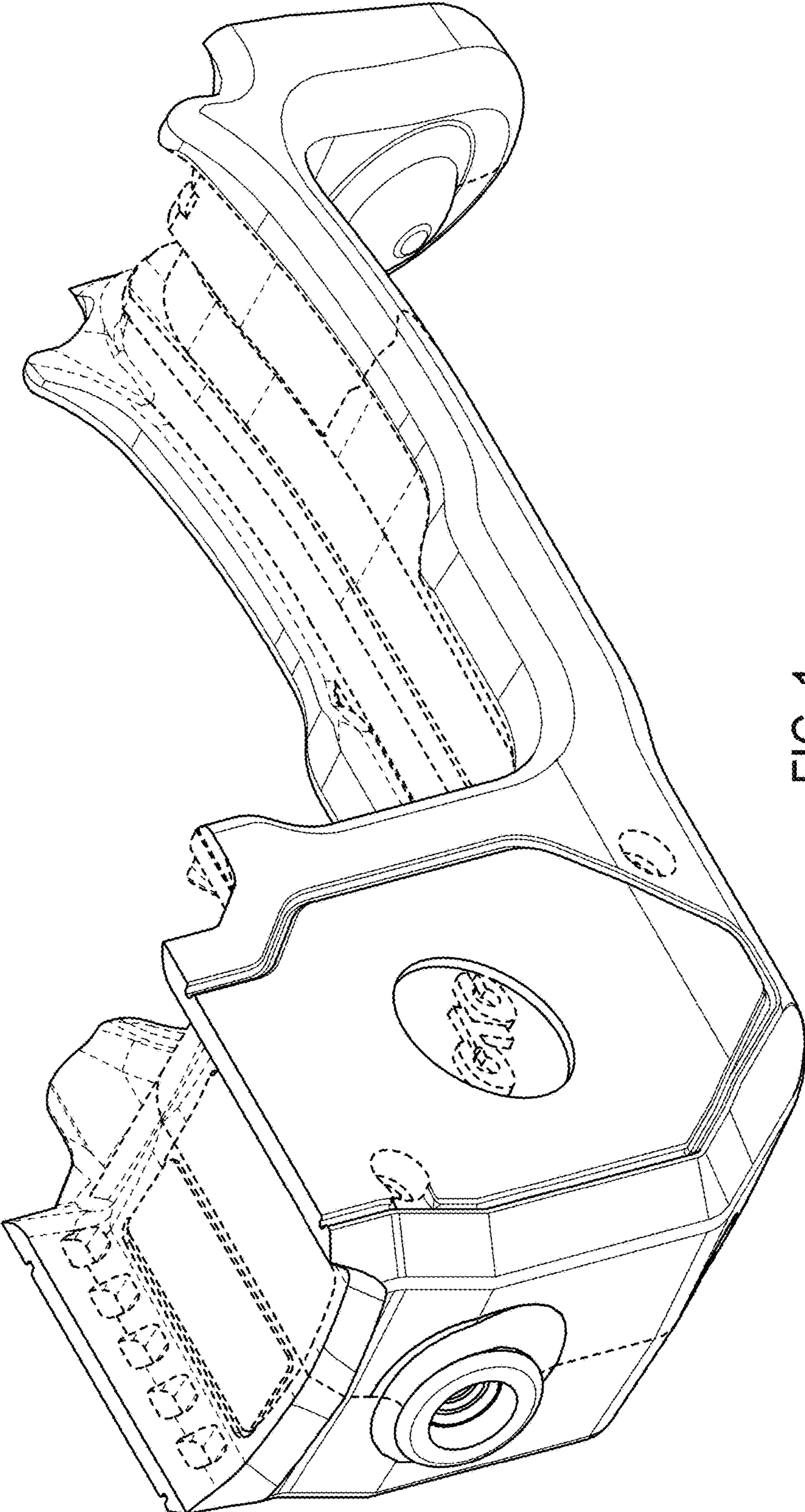


FIG. 1



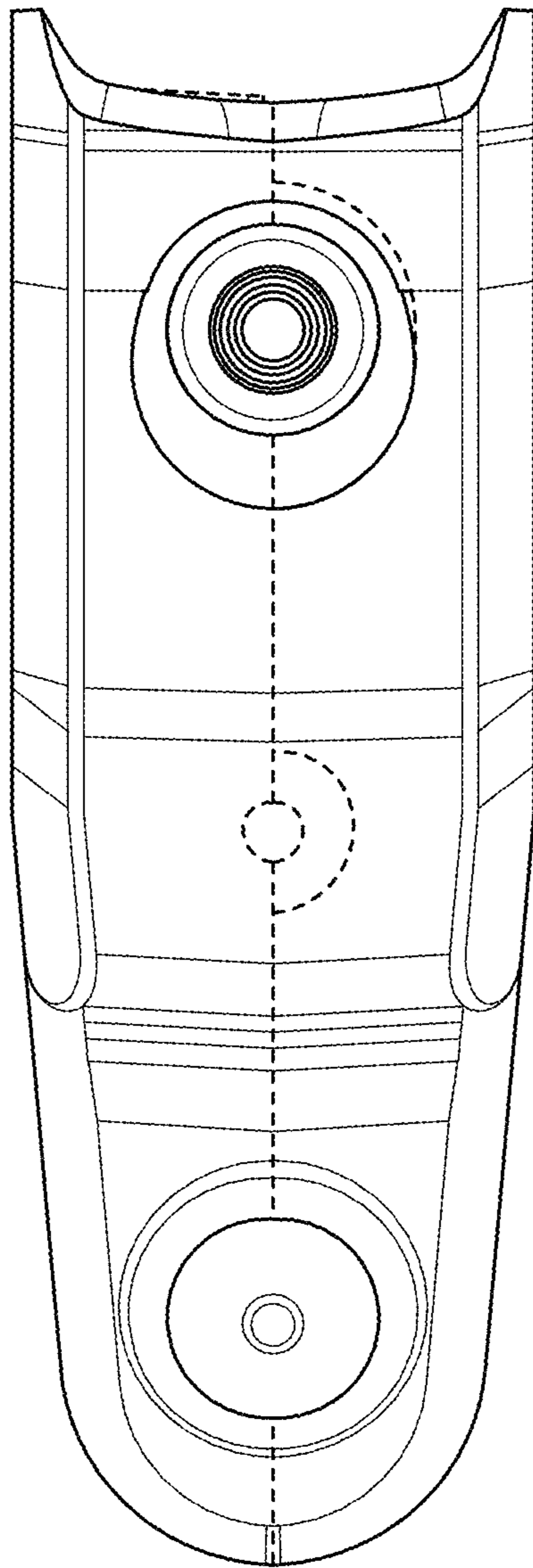


FIG. 2

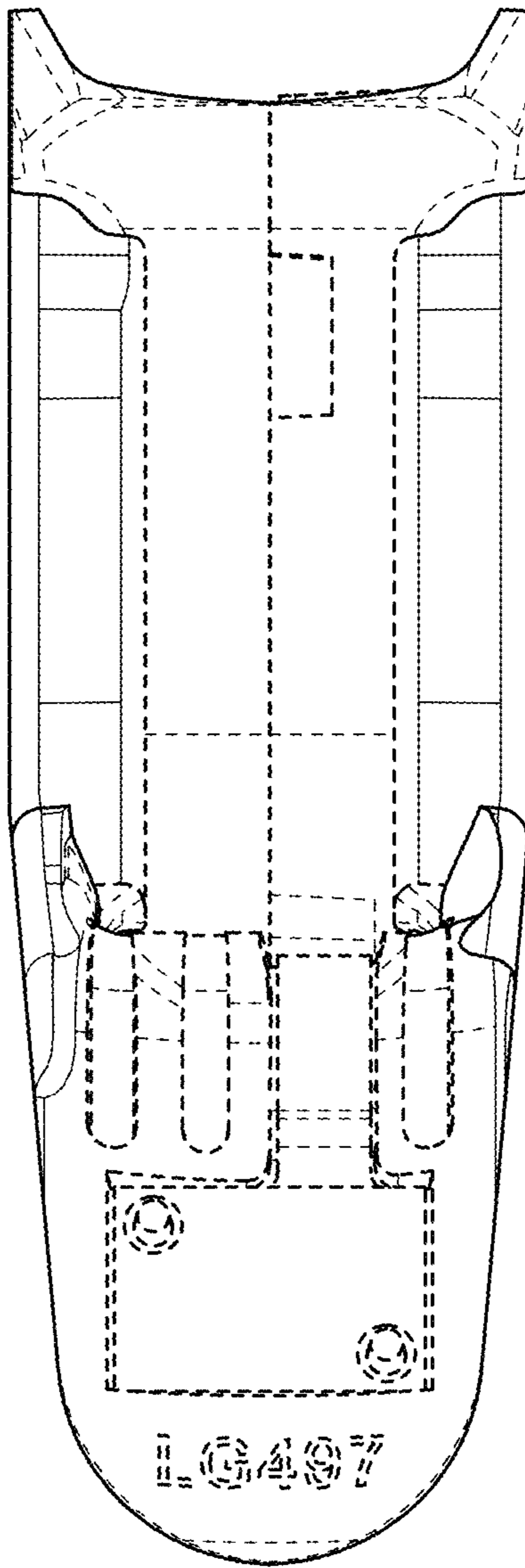


FIG. 3

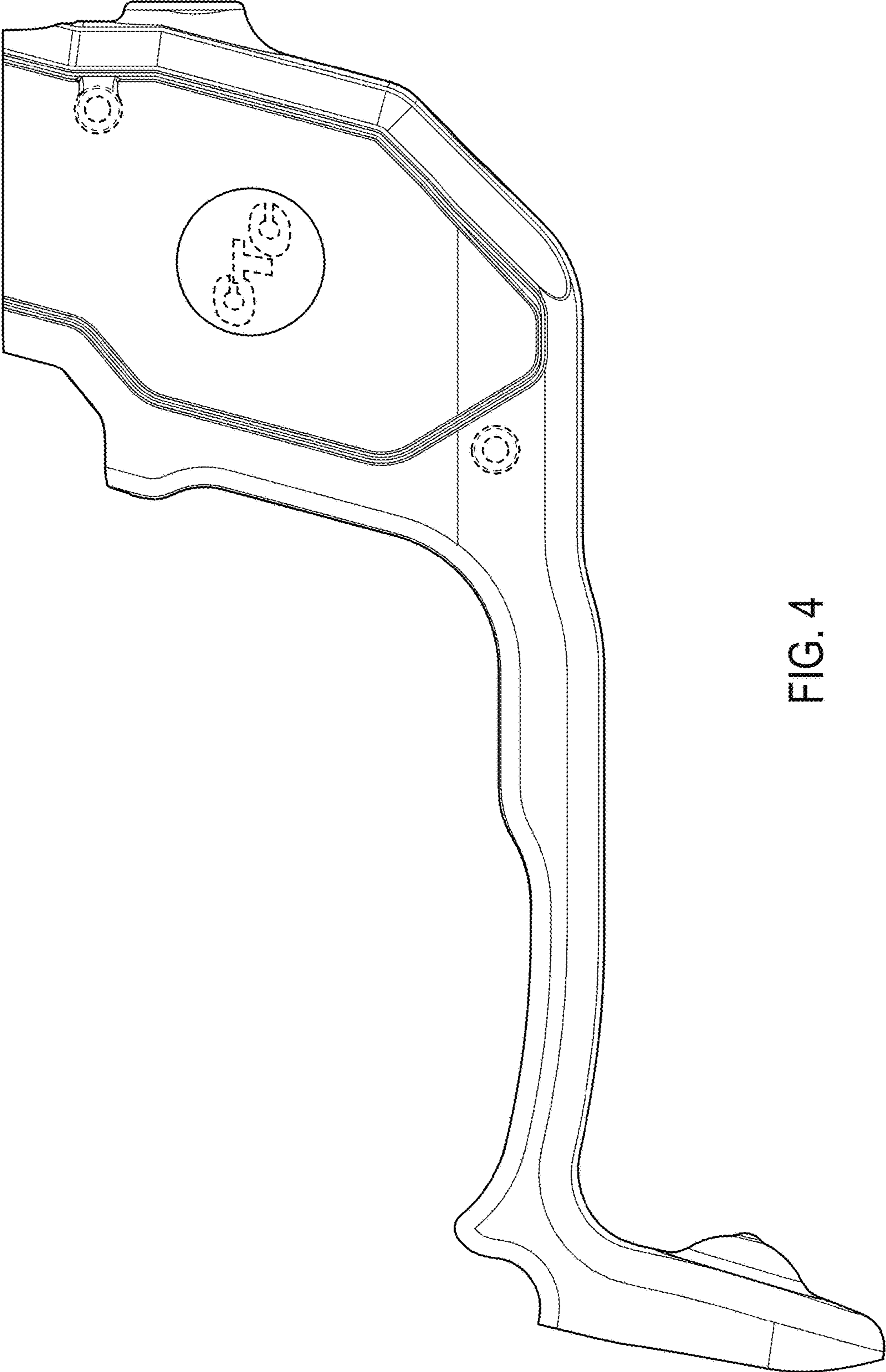


FIG. 4

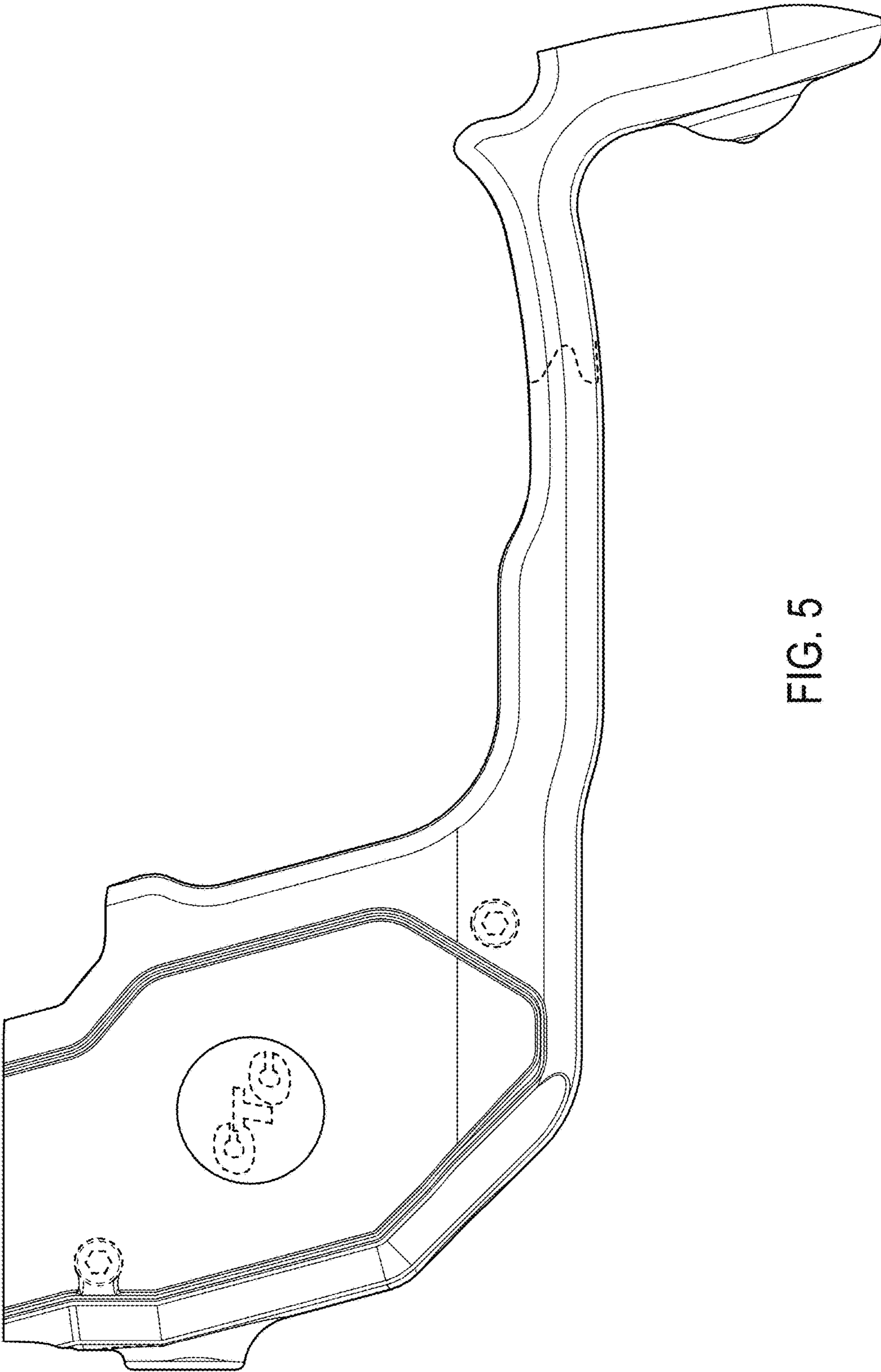


FIG. 5

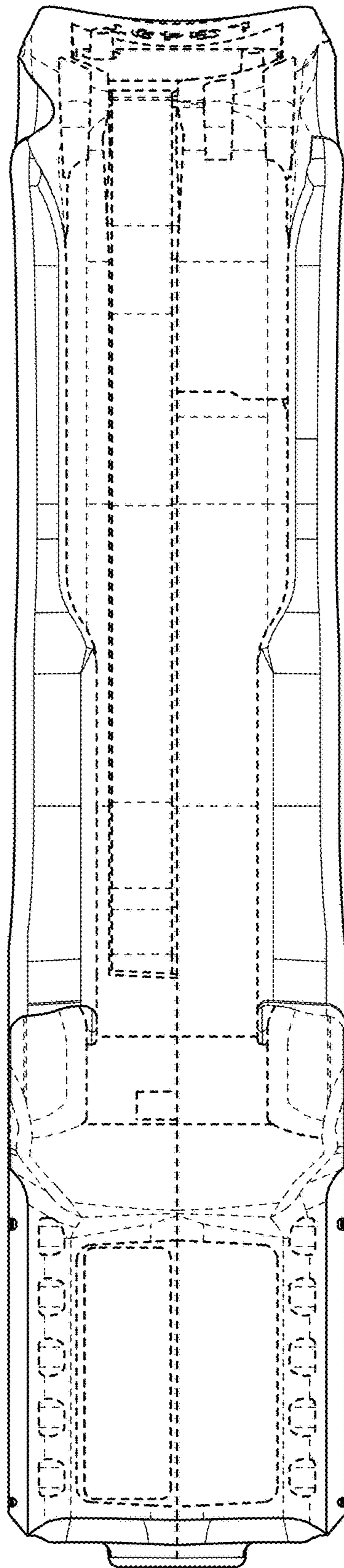


FIG. 6



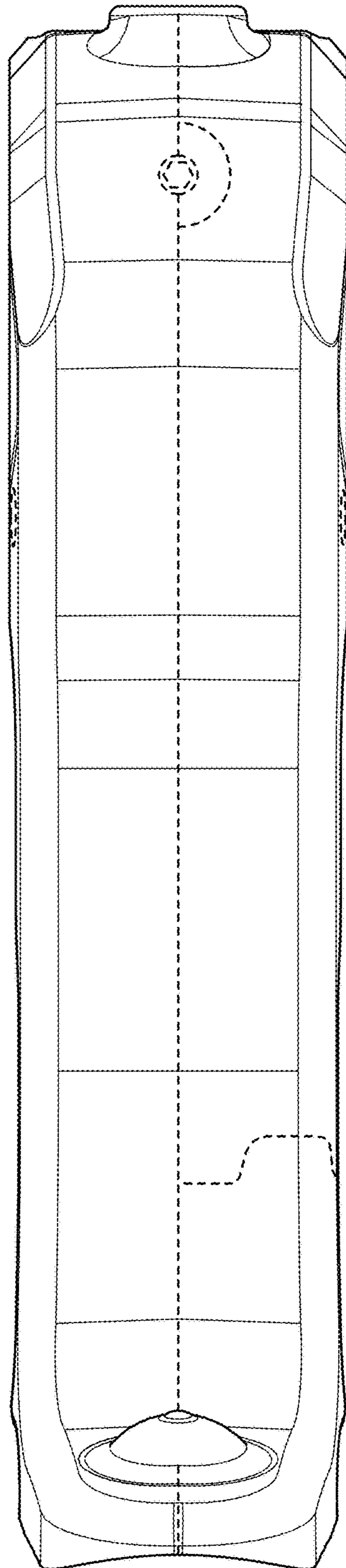


FIG. 7