

US00D861111S

(12) **United States Design Patent** (10) **Patent No.:** **US D861,111 S**
Keller (45) **Date of Patent:** **** Sep. 24, 2019**

(54) **PLAY TOWER STRUCTURE SET**
(71) Applicant: **Landscape Structures Inc.**, Delano, MN (US)
(72) Inventor: **Thomas L. Keller**, Delano, MN (US)
(73) Assignee: **Landscape Structures Inc.**, Delano, MN (US)
(**) Term: **15 Years**
(21) Appl. No.: **29/630,535**
(22) Filed: **Dec. 21, 2017**
(51) **LOC (12) Cl.** **21-03**
(52) **U.S. Cl.**
USPC **D21/826; D21/818**
(58) **Field of Classification Search**
USPC D21/811, 814, 818-827, 506, 507, 508, D21/511
CPC . A63G 21/00-21/22; A63G 9/00-9/22; A63G 31/00; A63B 9/00; A63B 2009/006; A63B 17/00; A63B 17/02; A63H 33/008
See application file for complete search history.

(56) **References Cited**
U.S. PATENT DOCUMENTS
1,779,903 A * 10/1930 Daragon A63B 9/00 482/23
D177,752 S * 5/1956 Parker 472/116
D186,525 S * 11/1959 Wormser D21/826
D186,608 S * 11/1959 Wormser D21/818
D189,581 S * 1/1961 Williams et al. D21/818
D196,735 S * 10/1963 Grudoski D21/826
D213,271 S * 1/1969 Gale D21/821
D213,504 S * 3/1969 Wormser D21/818
D213,505 S * 3/1969 Wormser D21/820
D213,508 S * 3/1969 Wormser D21/820
D214,326 S * 6/1969 Wormser D21/818
D218,625 S * 9/1970 Welsey D21/821

D221,963 S * 9/1971 Henning D21/821
D224,243 S * 7/1972 Hock et al. D21/818
D224,247 S * 7/1972 Jamison D21/818
D226,933 S * 5/1973 Wormser et al. D21/821
D227,382 S * 6/1973 Wormser et al. D21/821
D227,383 S * 6/1973 Sanderson D21/822
D227,792 S * 7/1973 Henning et al. D21/818
D238,694 S * 2/1976 Jamison D21/821
D241,664 S * 9/1976 Ewers et al. D21/820
D246,477 S * 11/1977 Callecod D21/826
D249,080 S * 8/1978 West D21/818
D250,783 S * 1/1979 Dieter 472/116
D250,784 S * 1/1979 Dieter 472/116
D251,262 S * 3/1979 Barrett D21/822
D253,362 S * 11/1979 Dieter D21/822
D253,363 S * 11/1979 Dieter D21/821

(Continued)

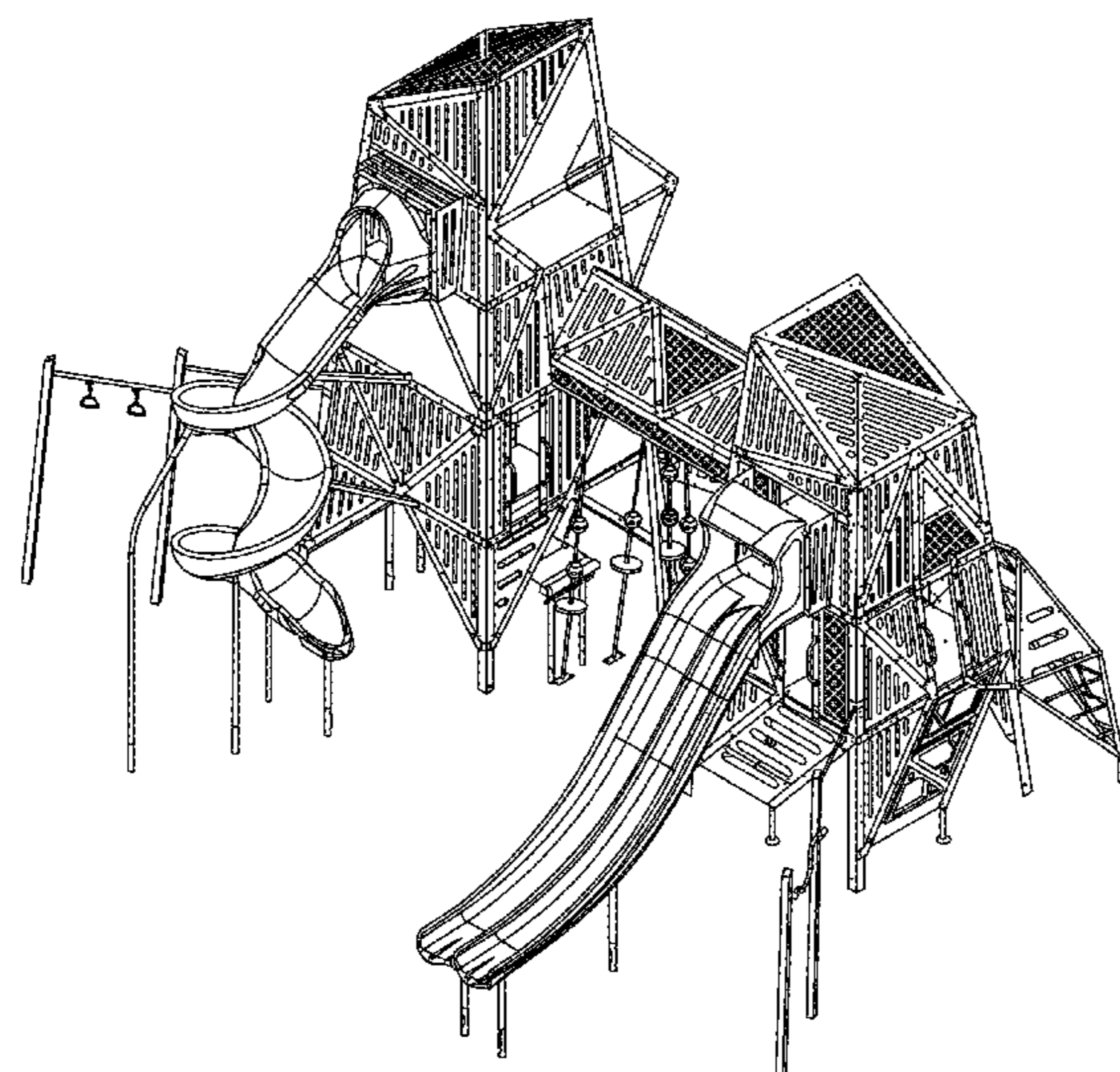
Primary Examiner — Mitchell I. Siegel
(74) *Attorney, Agent, or Firm* — Wesley W. Malherek; Kelly, Holt & Christenson, PLLC

(57) **CLAIM**
The ornamental design for the play tower structure set, as shown and described.

DESCRIPTION

FIG. 1 is a perspective view of a first embodiment of the play tower structure set.
FIG. 2 is a front view of a first embodiment of the play tower structure set.
FIG. 3 is a first side view of a first embodiment of the play tower structure set.
FIG. 4 is a top view of a first embodiment of the play tower structure set.
FIG. 5 is a second side view of a first embodiment of the play tower structure set.
FIG. 6 is a rear view of a first embodiment of the play tower structure set; and,
FIG. 7 is a bottom view of a first embodiment of the play tower structure set.

1 Claim, 7 Drawing Sheets



US D861,111 S

(56)

References Cited

U.S. PATENT DOCUMENTS

D257,053 S * 9/1980 Ezell D21/823
 D257,165 S * 9/1980 Ezell D21/823
 4,262,900 A * 4/1981 Vinson A63G 31/00
 472/116
 D259,804 S * 7/1981 Dieter D21/826
 D260,543 S * 9/1981 Ament D21/820
 D261,917 S * 11/1981 Dieter D21/818
 D262,818 S * 1/1982 Works D21/822
 D268,693 S * 1/1982 Works D21/822
 D268,858 S * 5/1983 Works D21/822
 D271,037 S * 10/1983 Gordon D21/822
 D271,228 S * 11/1983 Zimmerman D1/118
 D274,450 S * 6/1984 Gordon D21/822
 D277,222 S * 1/1985 Mower D21/822
 D281,447 S * 11/1985 Gordon D21/822
 D281,985 S * 12/1985 Spirk, Jr. D21/818
 D281,992 S * 12/1985 Saxman D21/826
 D284,021 S * 5/1986 Addleman D21/818
 D302,198 S * 7/1989 Mercer D21/826
 D303,280 S * 9/1989 Mercer D21/826
 D314,024 S * 1/1991 Micale D21/820
 D330,579 S * 10/1992 Briggs D21/822
 D334,040 S * 3/1993 Chou D21/820
 D334,045 S * 3/1993 Chou D21/820
 D340,273 S * 10/1993 Ezell D21/511
 D343,438 S * 1/1994 Fish, Jr. D21/818
 D344,773 S * 3/1994 Aker D21/818
 D347,458 S * 5/1994 Cunard D21/818
 D355,693 S * 2/1995 Aker D21/818
 D361,116 S * 8/1995 Shaneour D21/821
 D361,614 S * 8/1995 Aker D21/821
 D366,086 S * 1/1996 Ziegler, Jr. D21/826
 D366,512 S * 1/1996 Ziegler, Jr. D21/823
 D366,686 S * 1/1996 Ziegler, Jr. D21/826
 D367,310 S * 2/1996 Ziegler, Jr. D21/827
 D367,911 S * 3/1996 van Huystee D21/818
 D370,045 S * 5/1996 Derbecker D21/826
 5,554,074 A * 9/1996 Von Parrish A63B 9/00
 472/116
 D377,074 S * 12/1996 Ford D21/827
 D377,075 S * 12/1996 Temple D21/818
 D377,203 S * 1/1997 Jaeb D21/820
 5,820,471 A * 10/1998 Briggs A63B 9/00
 472/128
 5,842,926 A * 12/1998 Rodriguez-Ferre A63G 21/00
 472/116
 5,853,332 A * 12/1998 Briggs A63B 9/00
 472/128
 5,865,680 A * 2/1999 Briggs A63B 9/00
 472/128
 D413,957 S * 9/1999 Briggs D21/826
 D429,788 S * 8/2000 Sutton D21/818
 D435,881 S * 1/2001 Gardner D21/820
 D436,224 S * 1/2001 Gardner D21/820

D440,623 S * 4/2001 Gardner D21/818
 6,361,445 B1 * 3/2002 Zeilinger A63B 17/02
 472/116
 6,443,849 B1 * 9/2002 Byrd A63B 9/00
 472/116
 D468,386 S * 1/2003 Frank D21/818
 D468,387 S * 1/2003 Ezell D21/826
 6,569,023 B1 * 5/2003 Briggs A63B 9/00
 104/70
 D479,569 S * 9/2003 Van Deusen D21/827
 D481,094 S * 10/2003 Van Deusen D21/820
 D486,200 S * 2/2004 Van Deusen D21/827
 D495,771 S * 9/2004 Tracy D21/826
 D515,166 S * 2/2006 Montfort A63B 9/00
 D21/826
 D524,895 S * 7/2006 VanDeusen D21/820
 D524,896 S * 7/2006 VanDeusen D21/820
 D524,897 S * 7/2006 VanDeusen D21/820
 D524,898 S * 7/2006 VanDeusen D21/820
 D524,899 S * 7/2006 VanDeusen D21/820
 D531,692 S * 11/2006 Kvistad D21/827
 D534,984 S * 1/2007 Nye D21/818
 D536,406 S * 2/2007 Nye D21/818
 D536,407 S * 2/2007 Nye D21/818
 D536,408 S * 2/2007 Nye D21/818
 D536,409 S * 2/2007 Nye D21/822
 D536,410 S * 2/2007 Nye D21/822
 D536,411 S * 2/2007 Nye D21/822
 D536,412 S * 2/2007 Nye D21/823
 D554,227 S * 10/2007 Yates D21/826
 D560,740 S * 1/2008 Phelps D21/826
 D575,840 S * 8/2008 Sammann D21/818
 D577,408 S * 9/2008 Ketcherside D21/821
 D587,776 S * 3/2009 Robertson D21/814
 D601,220 S * 9/2009 Sammann D21/818
 D628,668 S * 12/2010 Kilgriff D21/826
 D664,622 S * 7/2012 Orsulak D21/686
 D690,382 S * 9/2013 Kopp D21/822
 D693,418 S * 11/2013 Tukker D21/818
 D693,419 S * 11/2013 Tukker D21/818
 D731,611 S * 6/2015 Klein D21/826
 D743,497 S * 11/2015 Eroglu D21/818
 D743,499 S * 11/2015 Eroglu D21/826
 9,206,581 B2 * 12/2015 Mollick E02D 27/32
 D807,978 S * 1/2018 Keller D21/814
 D809,619 S * 2/2018 Jackson D21/826
 D814,589 S * 4/2018 Eroglu D21/826
 D825,703 S * 8/2018 Eroglu D21/826
 D832,965 S * 11/2018 Keller D21/818
 2006/0096188 A1 * 5/2006 Byrd A63G 31/00
 52/198
 2012/0193276 A1 * 8/2012 Kim A63G 31/007
 210/167.1
 2013/0095937 A1 * 4/2013 Hsieh A63G 1/12
 472/116

* cited by examiner

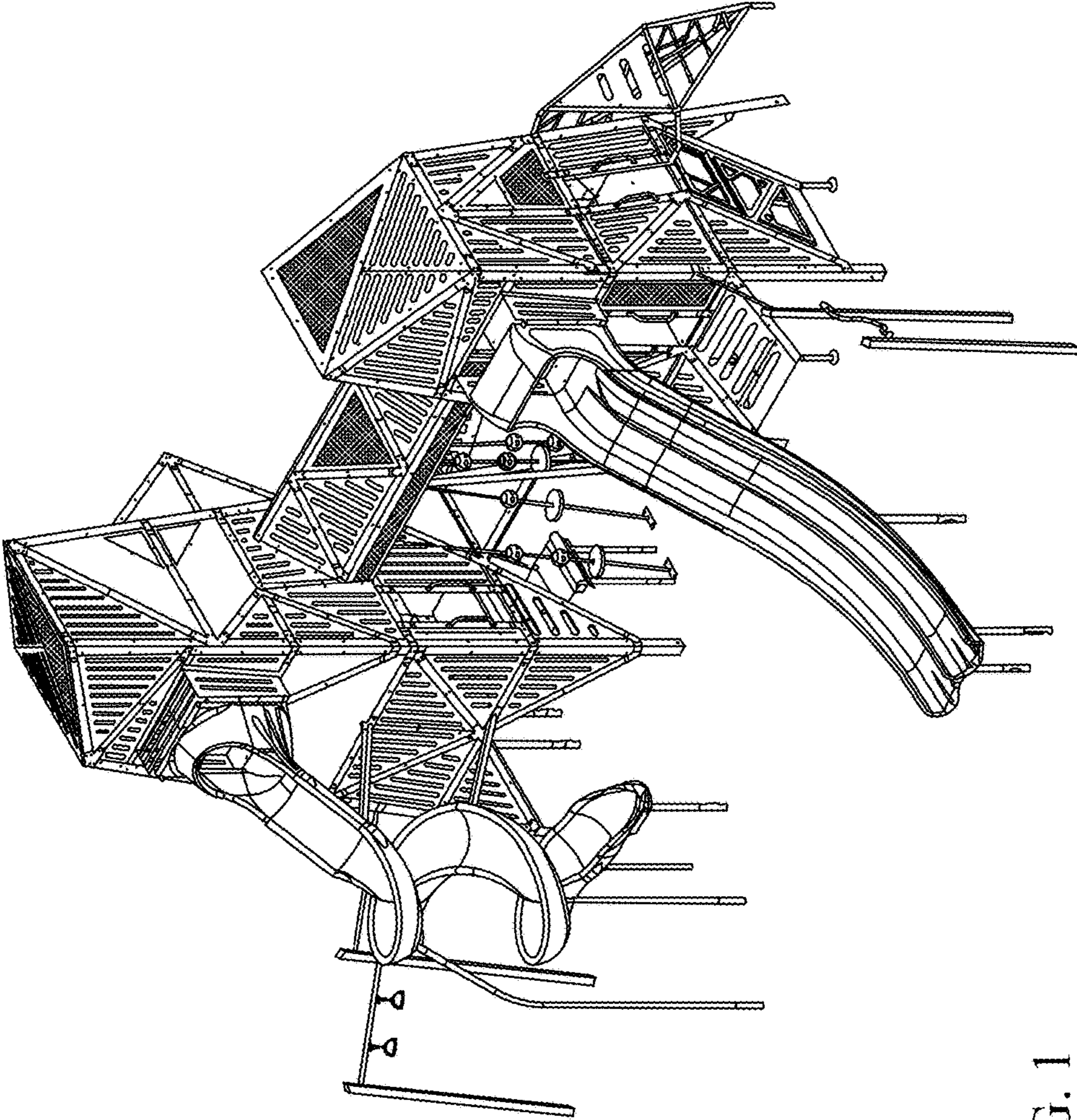


FIG. 1

FIG. 2

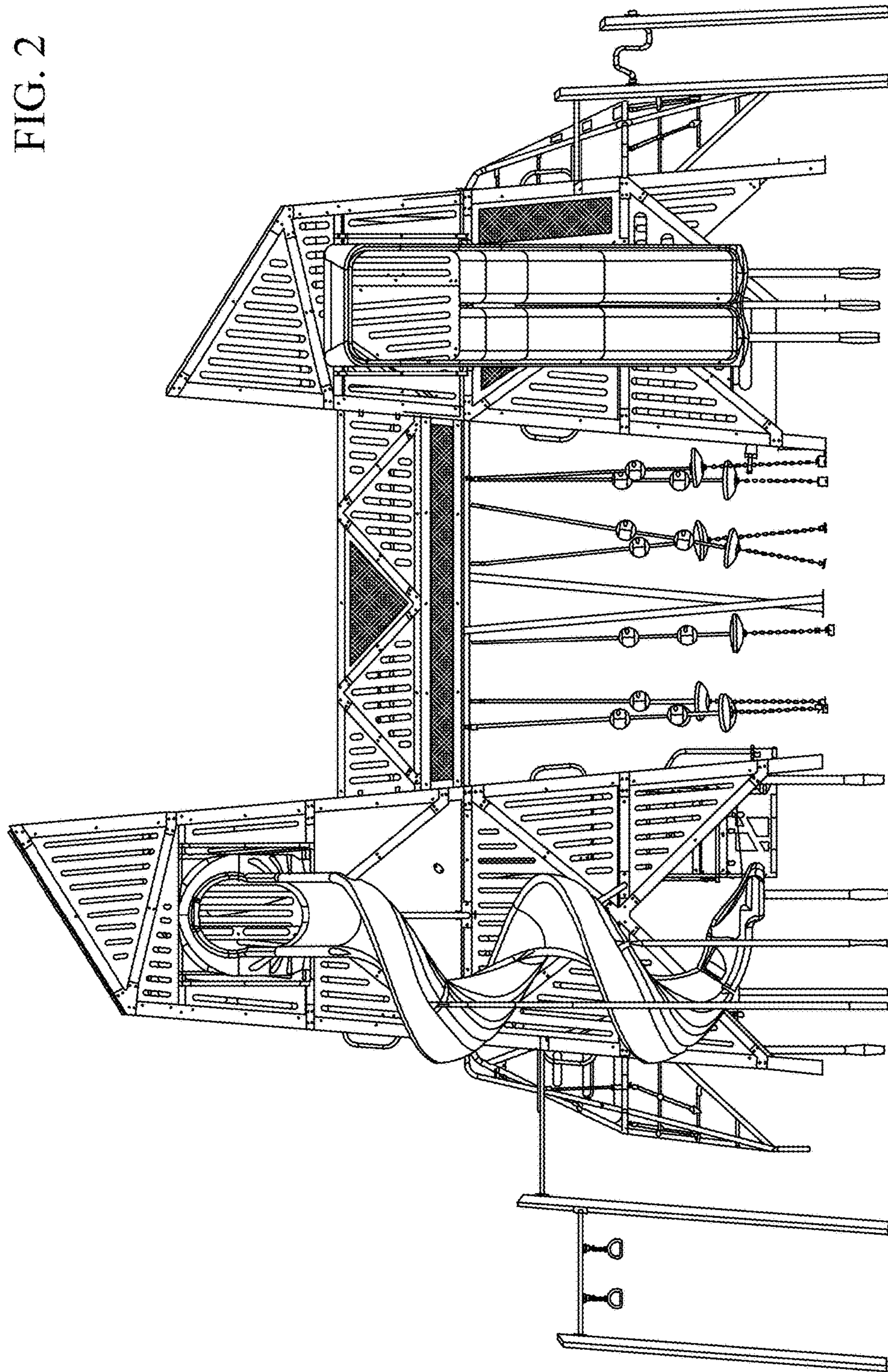
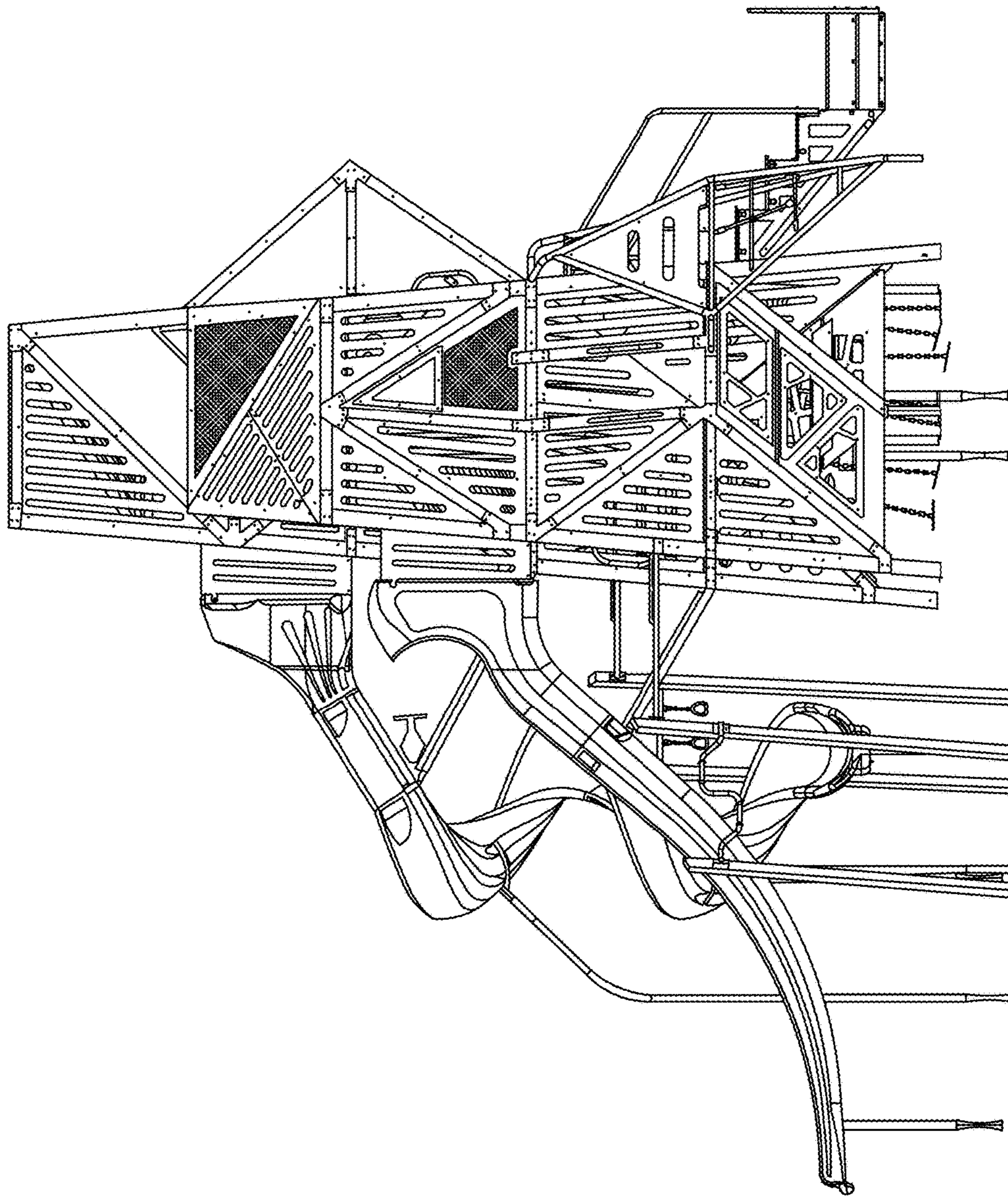


FIG. 3



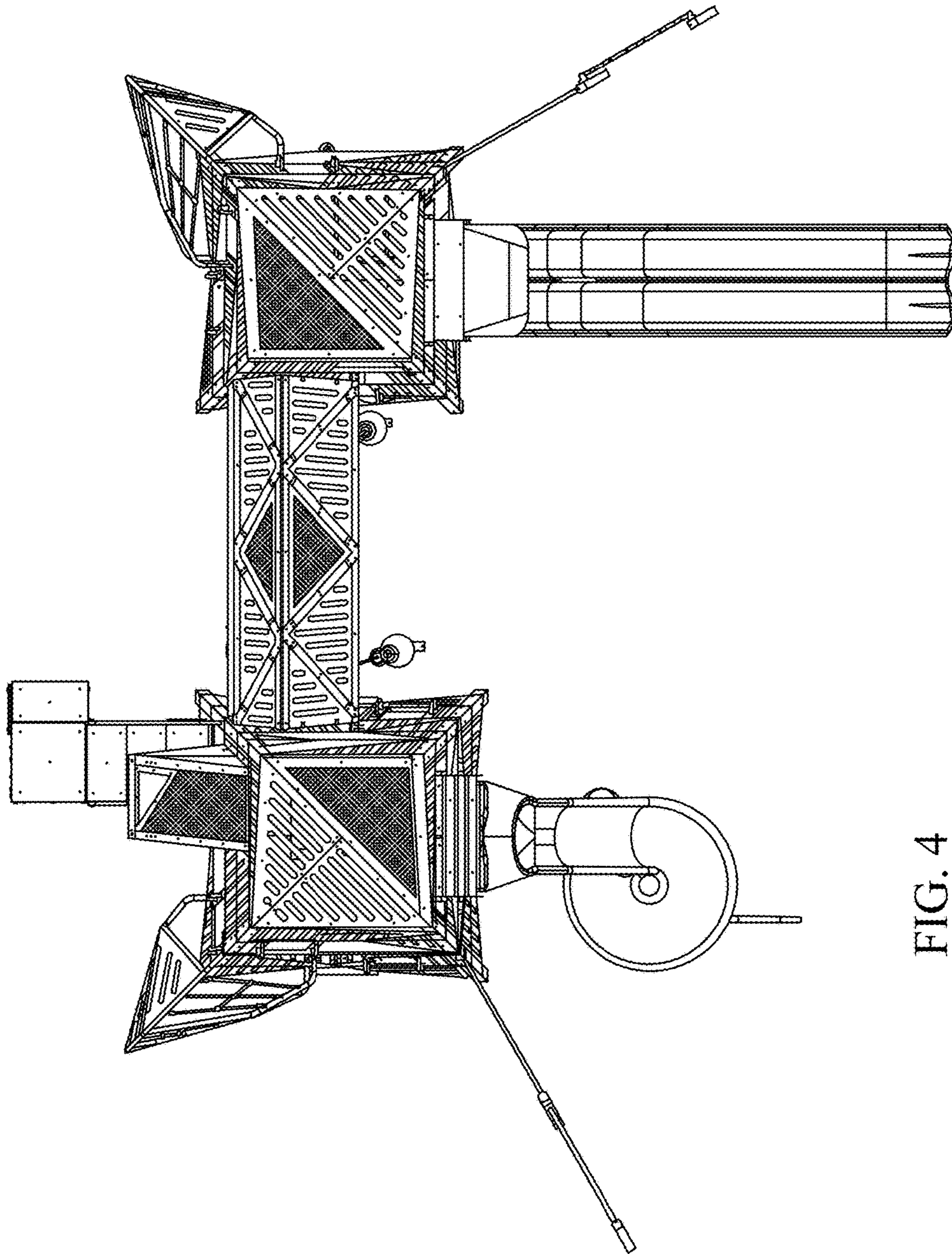


FIG. 4

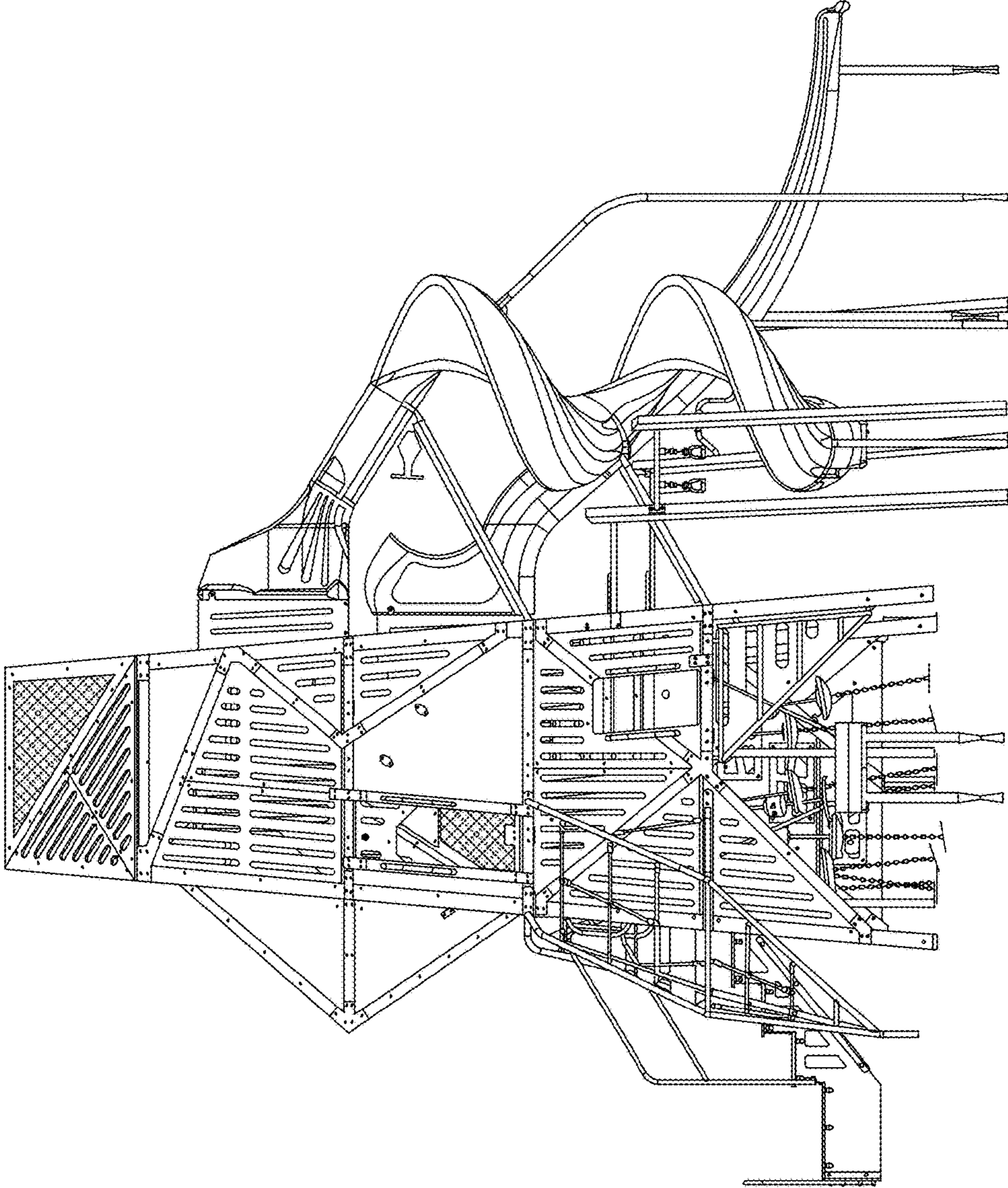


FIG. 5

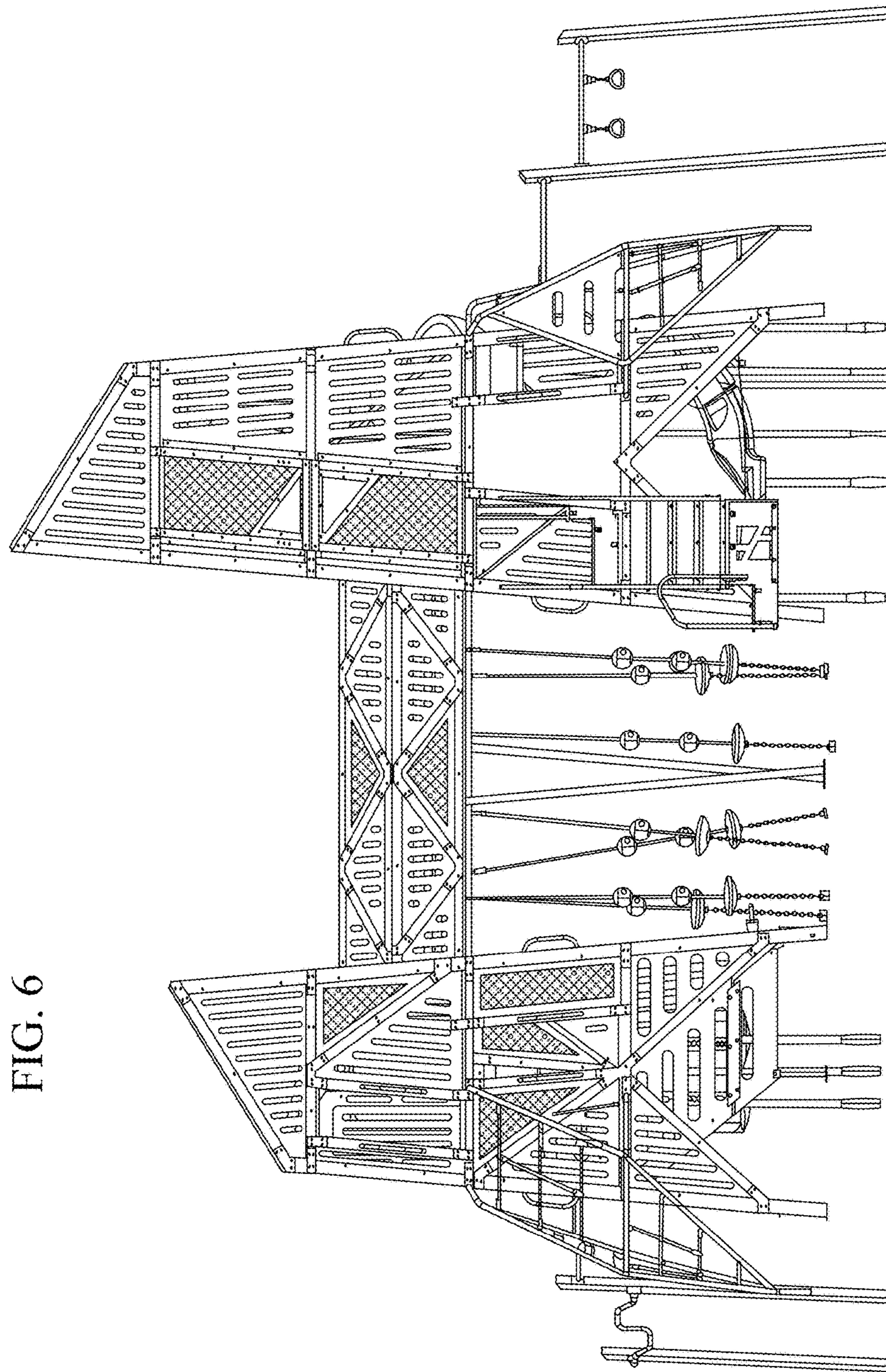


FIG. 6

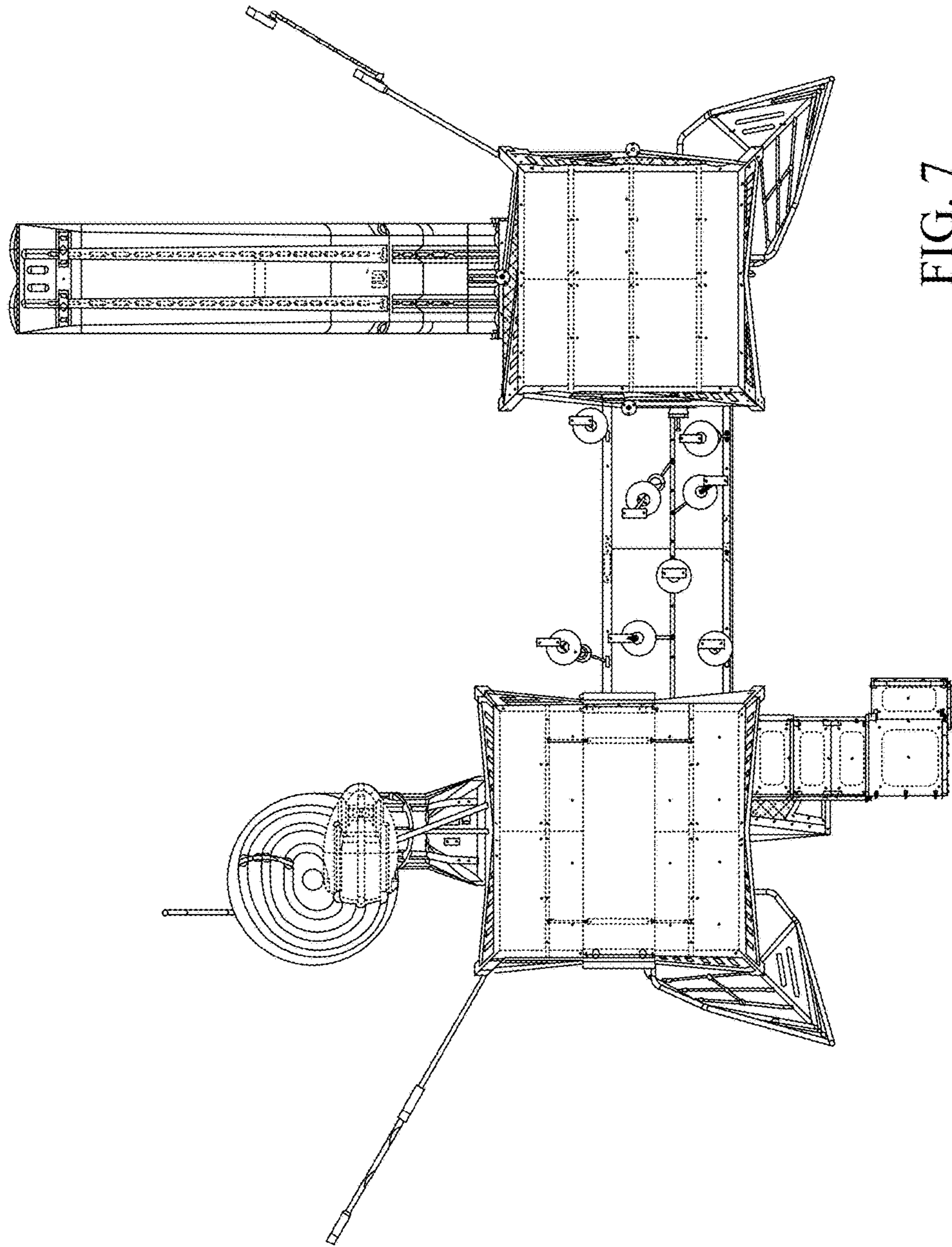


FIG. 7