



US00D861110S

(12) **United States Design Patent**
Keller

(10) **Patent No.:** **US D861,110 S**

(45) **Date of Patent:** **** Sep. 24, 2019**

- (54) **PLAY TOWER STRUCTURE**
- (71) Applicant: **Landscape Structures Inc.**, Delano, MN (US)
- (72) Inventor: **Thomas L. Keller**, Delano, MN (US)
- (73) Assignee: **Landscape Structures Inc.**, Delano, MN (US)
- (**) Term: **15 Years**
- (21) Appl. No.: **29/629,654**
- (22) Filed: **Dec. 14, 2017**
- (51) **LOC (12) Cl.** **21-03**
- (52) **U.S. Cl.**
USPC **D21/826**
- (58) **Field of Classification Search**
USPC D21/811, 814, 818-827
CPC A63B 9/00; A63B 2009/006; A63B 17/00;
A63B 17/02; A63B 2208/12
See application file for complete search history.

- D340,273 S * 10/1993 Ezell D21/511
- D344,773 S * 3/1994 Aker D21/818
- D347,458 S * 5/1994 Cunard D21/818
- D355,693 S * 2/1995 Aker D21/818
- D361,116 S * 8/1995 Shaneour D21/821
- D361,614 S * 8/1995 Aker D21/821
- D366,086 S * 1/1996 Ziegler, Jr. D21/826
- D366,686 S * 1/1996 Ziegler, Jr. D21/826
- D367,308 S * 2/1996 Kelley D21/814
- D367,310 S * 2/1996 Ziegler, Jr. D21/827
- D367,911 S * 3/1996 van Huystee D21/818
- D377,074 S * 12/1996 Ford D21/827
- D377,075 S * 12/1996 Temple D21/818
- D387,119 S * 12/1997 Bookstaver D21/814
- D389,892 S * 1/1998 Van Wagenen D21/827
- D393,303 S * 4/1998 Van Wagenen D21/827
- 5,820,471 A * 10/1998 Briggs A63B 9/00
472/128
- D401,640 S * 11/1998 Van Wagenen D21/811

(Continued)

Primary Examiner — Mitchell I. Siegel
(74) *Attorney, Agent, or Firm* — Wesley W. Malherek;
Kelly, Holt & Christenson, PLLC

(57) **CLAIM**

The ornamental design for the play tower structure, as shown and described.

DESCRIPTION

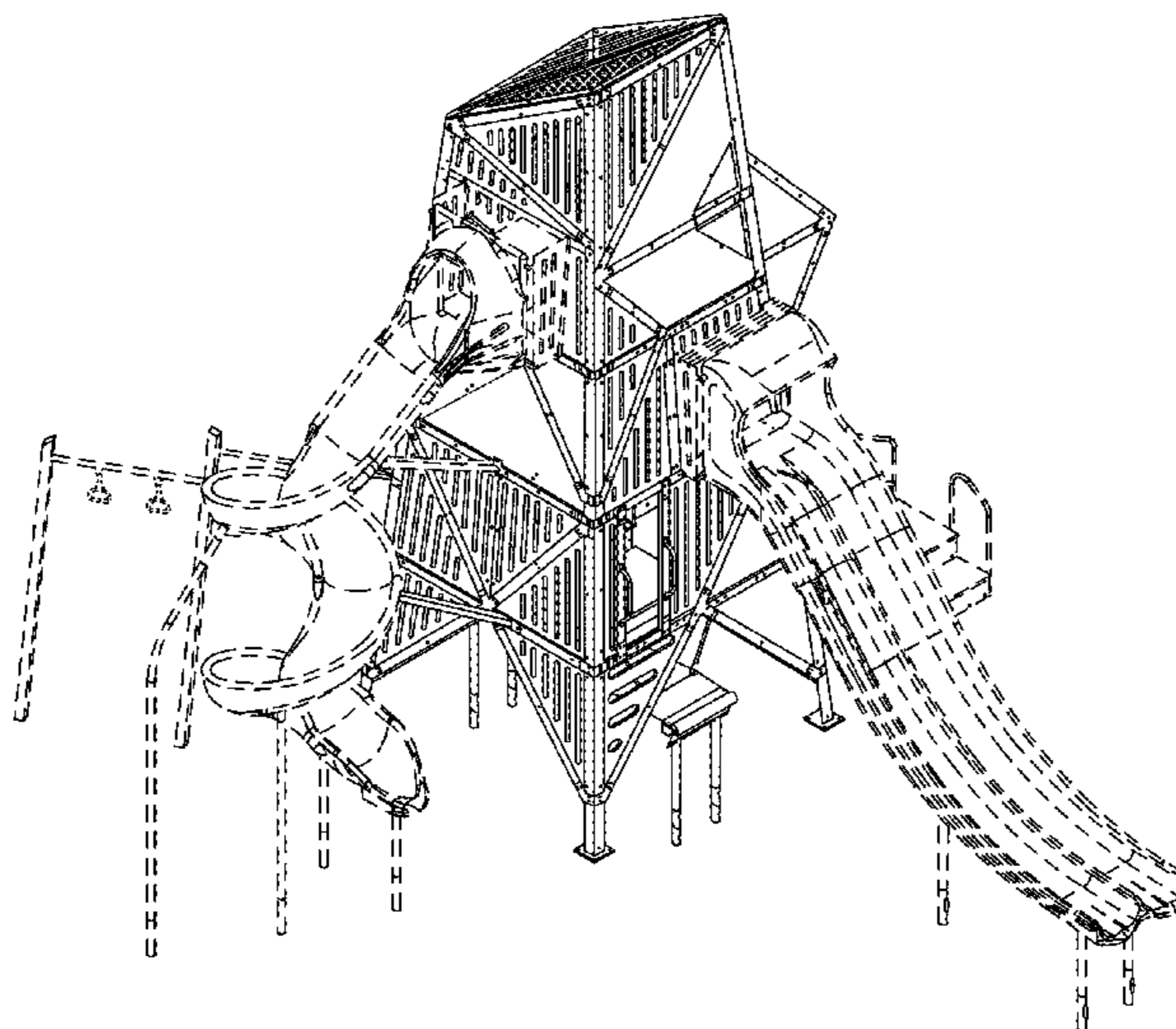
FIG. 1 is a perspective view of the play tower structure. FIG. 2 is a front view of the play tower structure. FIG. 3 is a top view of the play tower structure. FIG. 4 is a first side view of the play tower structure. FIG. 5 is a second side view of the play tower structure. FIG. 6 is a rear view of the play tower structure; and, FIG. 7 is a bottom view of the play tower structure. The broken line showing is included for the purpose of illustrating unclaimed subject matter and forms no part of the claimed design.

1 Claim, 7 Drawing Sheets

(56) **References Cited**

U.S. PATENT DOCUMENTS

- 3,485,494 A * 12/1969 Lieberman A63B 9/00
482/35
- D245,435 S * 8/1977 Gnehm D21/826
- D268,693 S * 4/1983 Works D21/822
- D268,858 S * 5/1983 Works D21/822
- D271,037 S * 10/1983 Gordon D21/822
- D274,450 S * 6/1984 Gordon D21/822
- 4,484,738 A * 11/1984 Ahrens A63G 21/00
472/116
- D277,222 S * 1/1985 Mower D21/822
- D281,447 S * 11/1985 Gordon D21/822
- D281,992 S * 12/1985 Saxman D21/826
- D302,198 S * 7/1989 Mercer D21/826
- D303,280 S * 9/1989 Mercer D21/826
- 5,226,864 A * 7/1993 Showers A63B 9/00
482/148



(56)

References Cited

U.S. PATENT DOCUMENTS

5,853,332 A * 12/1998 Briggs A63B 9/00
472/128
5,865,680 A * 2/1999 Briggs A63B 9/00
472/128
D418,187 S * 12/1999 McLane D21/814
D420,086 S * 2/2000 Ratliff D21/814
D430,255 S * 8/2000 Yates D21/814
6,099,411 A * 8/2000 Van Wagenen A63B 9/00
472/136
6,108,988 A * 8/2000 Nagelski A63B 9/00
182/48
6,165,106 A * 12/2000 McBride A63B 9/00
482/35
D435,881 S * 1/2001 Gardner D21/820
D436,224 S * 1/2001 Gardner D21/820
D440,623 S * 4/2001 Gardner D21/818
6,361,445 B1 * 3/2002 Zeilinger A63B 17/02
472/116
6,383,119 B1 * 5/2002 Cattoni A63B 9/00
446/476
6,443,849 B1 * 9/2002 Byrd A63B 9/00
472/116
D468,386 S * 1/2003 Frank D21/818
D468,387 S * 1/2003 Ezell D21/826

6,569,023 B1 * 5/2003 Briggs A63B 9/00
104/70
D486,200 S * 2/2004 Van Deusen D21/827
D495,771 S * 9/2004 Tracy D21/826
D515,166 S * 2/2006 Montfort A63B 9/00
D21/826
D524,895 S * 7/2006 VanDeusen D21/820
D524,897 S * 7/2006 VanDeusen D21/820
D524,898 S * 7/2006 VanDeusen D21/820
D524,899 S * 7/2006 VanDeusen D21/820
D534,984 S * 1/2007 Nye D21/818
D536,406 S * 2/2007 Nye D21/818
D536,409 S * 2/2007 Nye D21/822
D536,410 S * 2/2007 Nye D21/822
D536,411 S * 2/2007 Nye D21/822
D577,408 S * 9/2008 Ketcherside D21/821
D587,776 S * 3/2009 Robertson D21/814
D589,110 S * 3/2009 Ketcherside D21/818
D594,079 S * 6/2009 Ketcherside D21/821
D690,382 S * 9/2013 Kopp D21/822
8,777,767 B2 * 7/2014 Kopp A63G 9/00
472/136
9,072,927 B2 * 7/2015 Sammann A63B 17/00
D807,978 S * 1/2018 Keller D21/814
D832,964 S * 11/2018 Keller D21/814
D832,965 S * 11/2018 Keller D21/818

* cited by examiner

FIG. 1

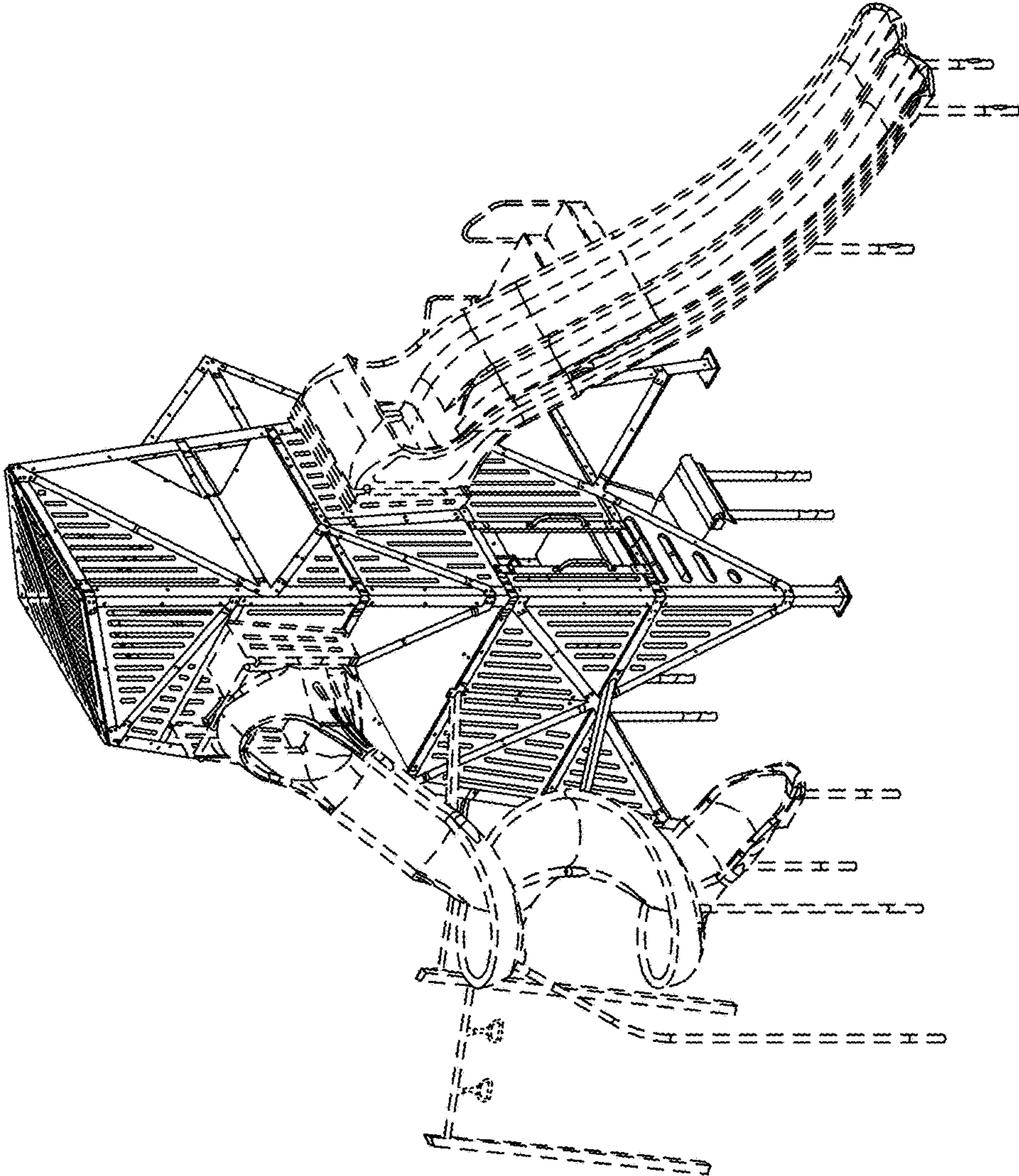
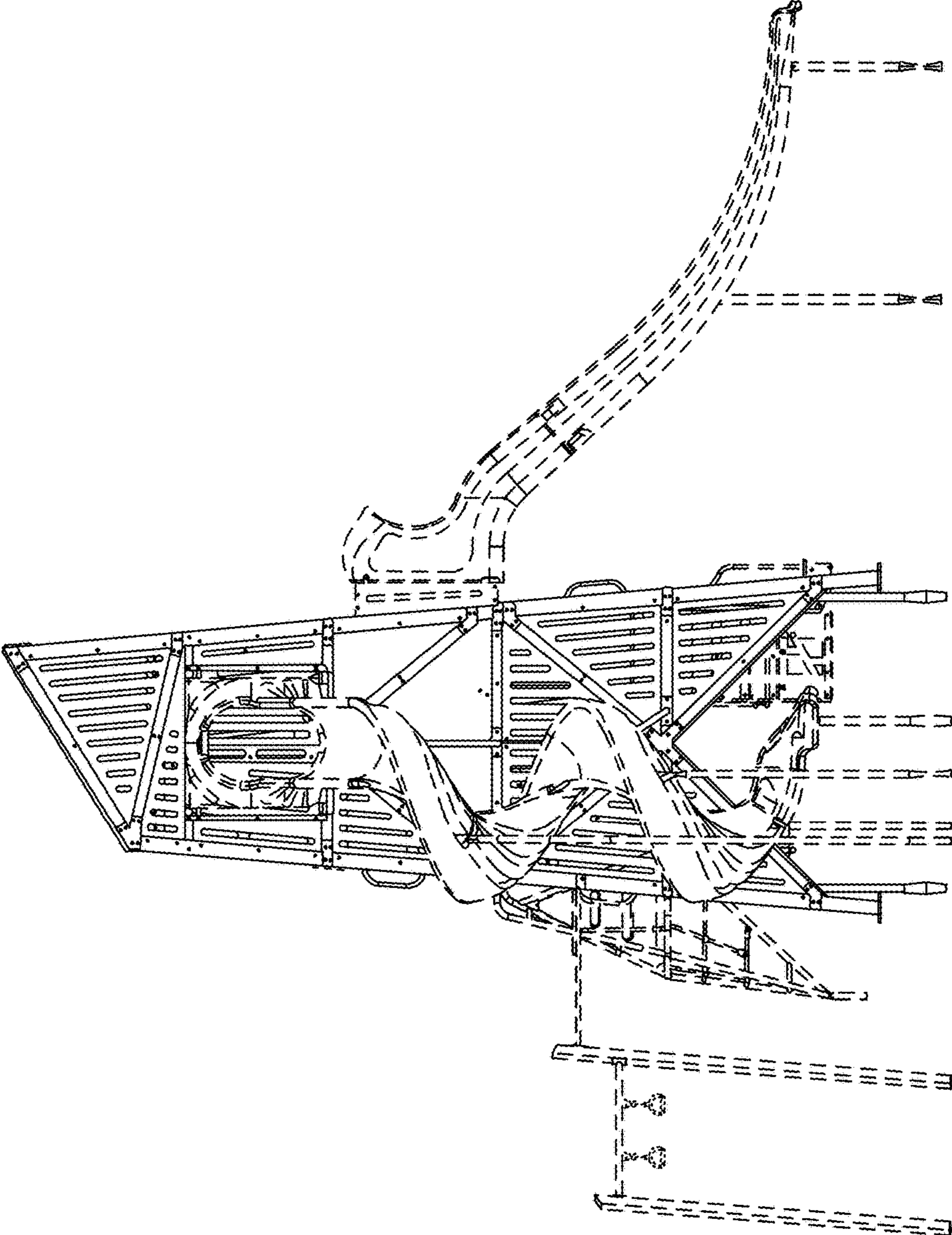


FIG. 2



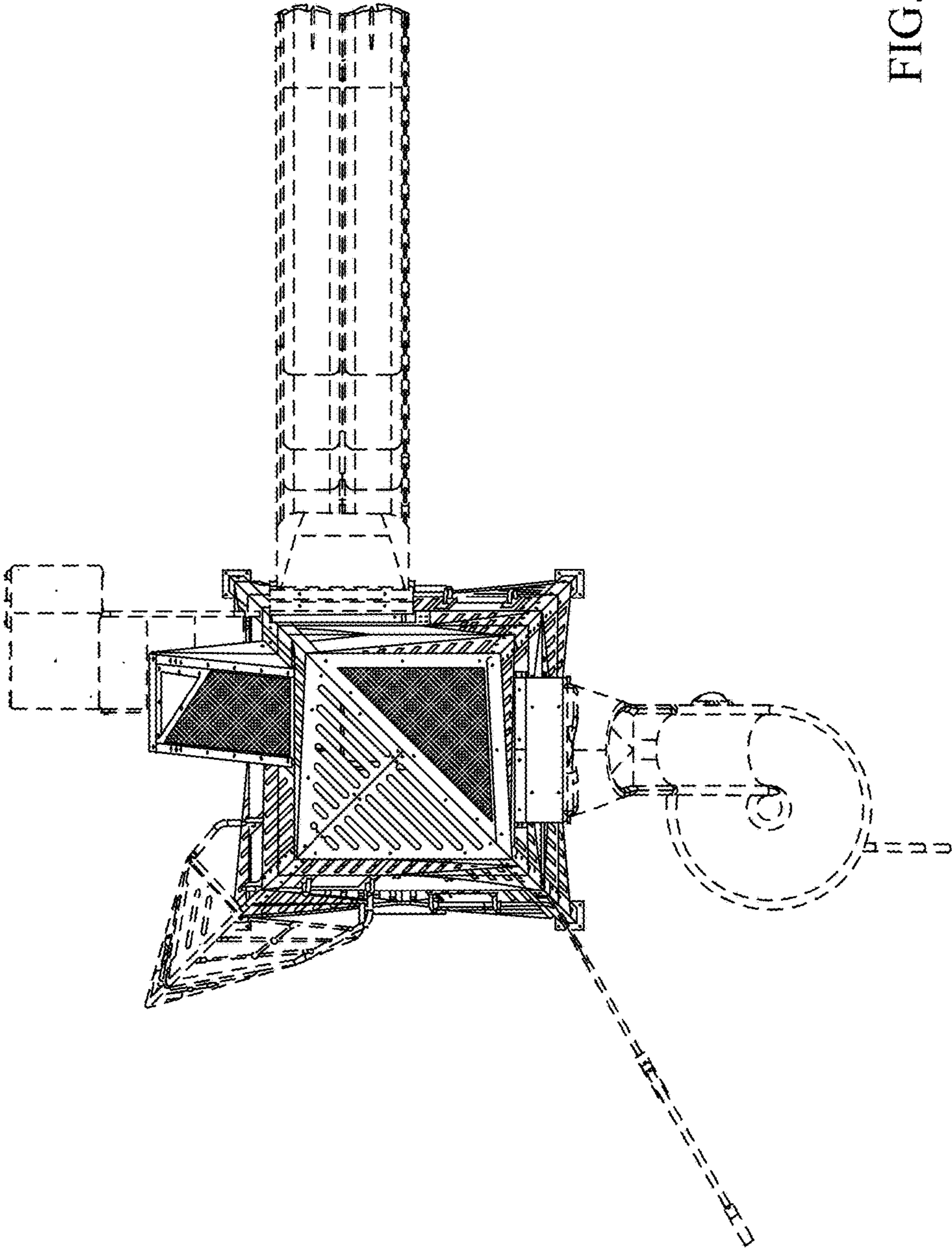
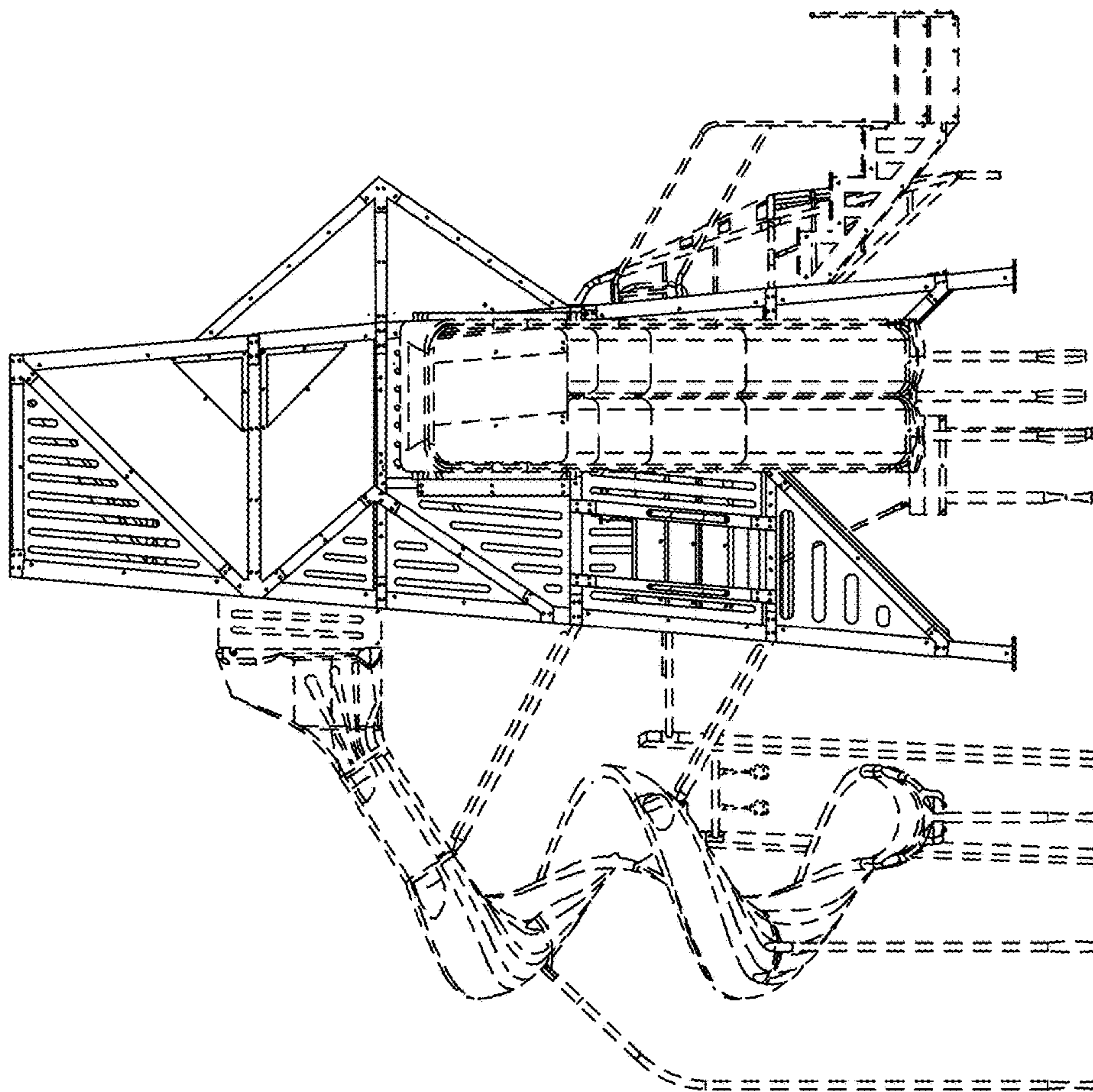


FIG. 3

FIG.4



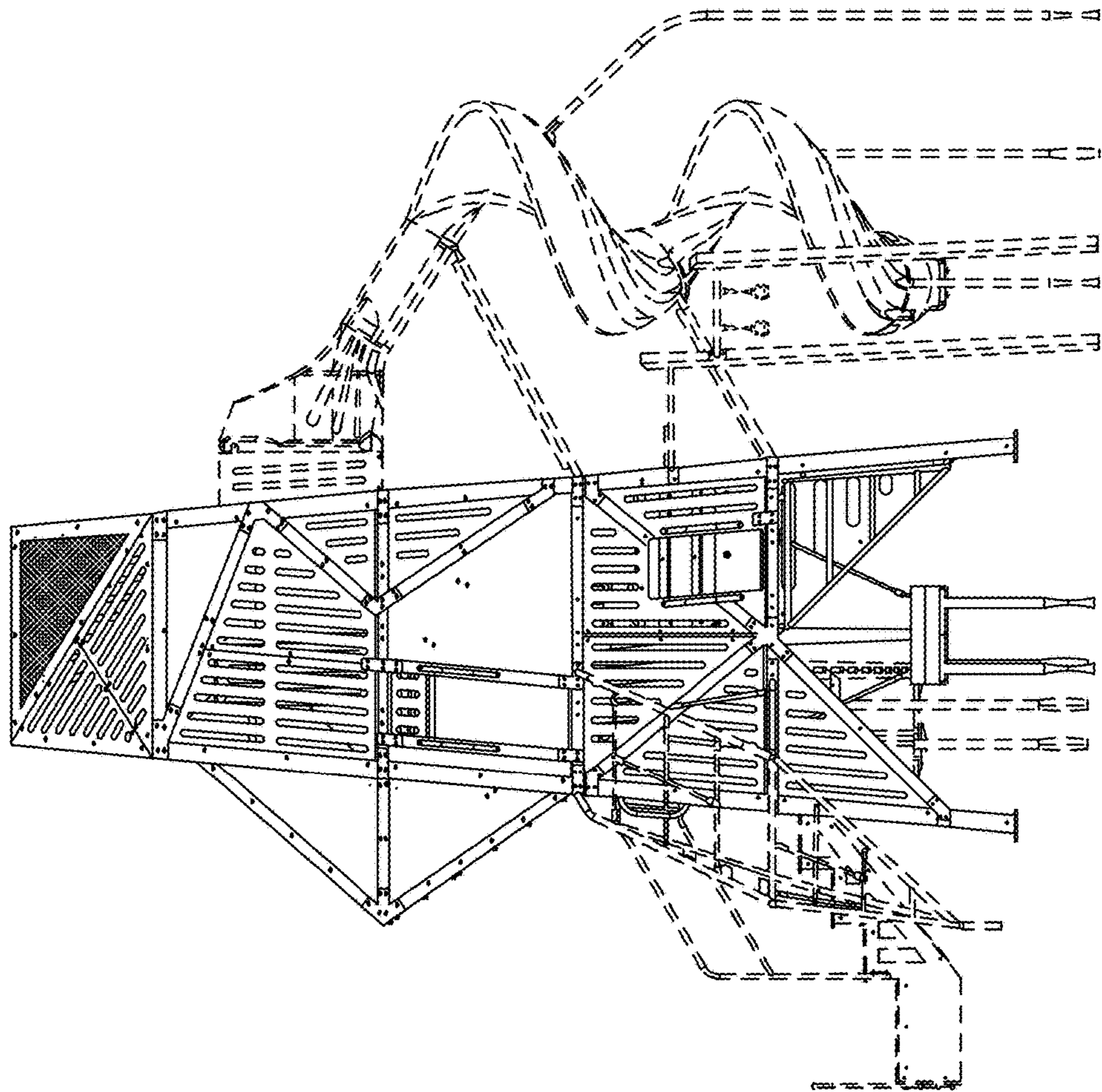
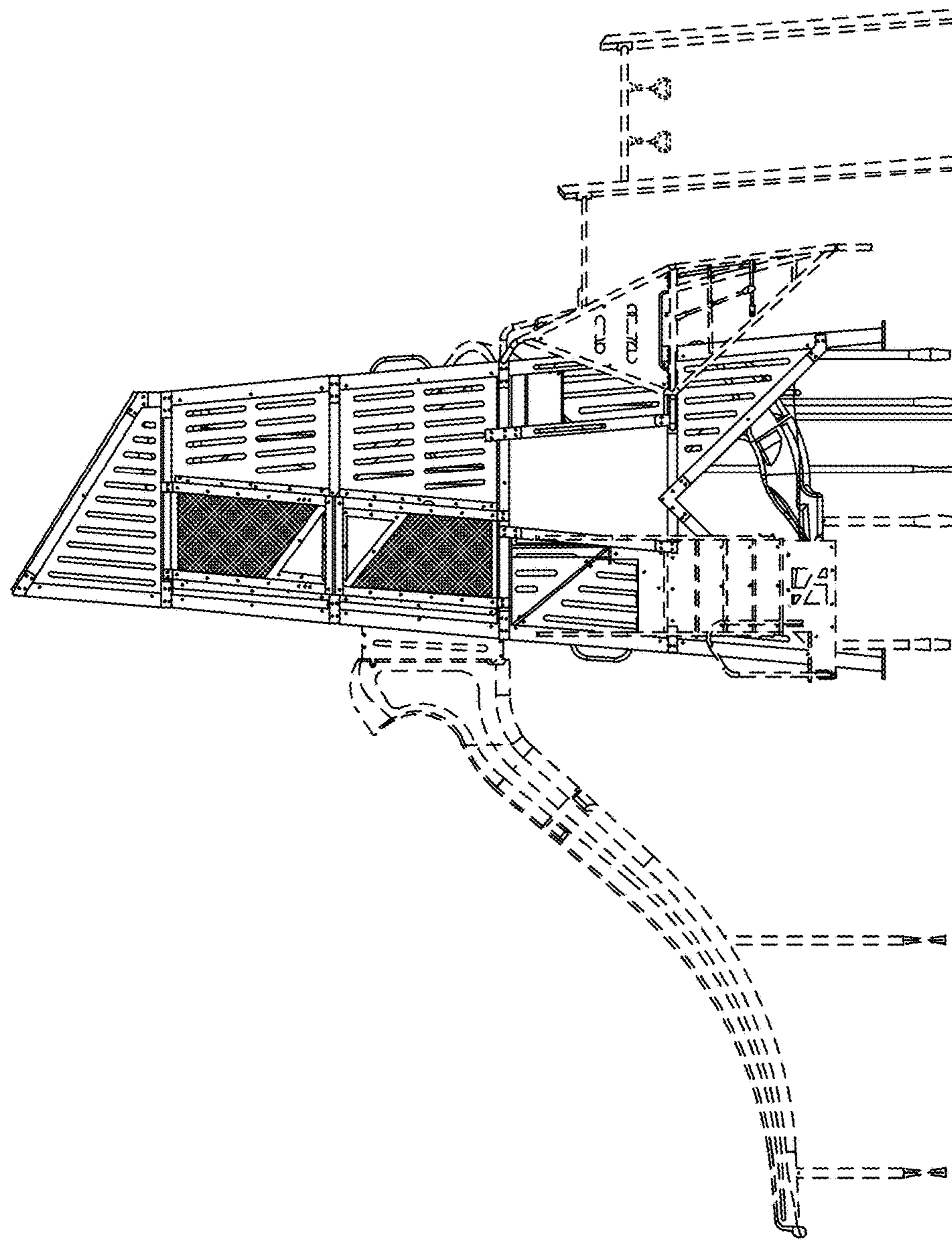


FIG. 5

FIG. 6



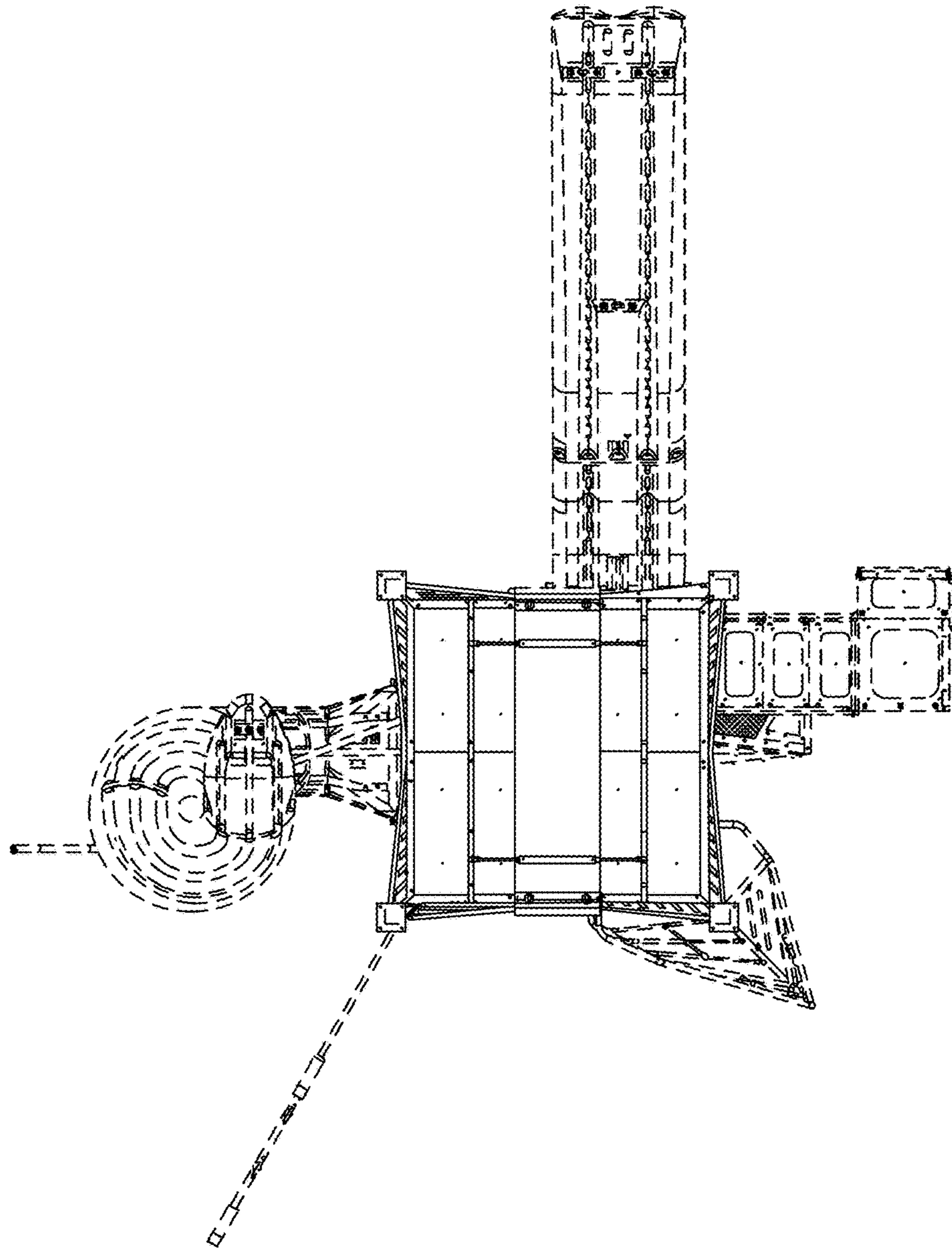


FIG. 7