



US00D861107S

(12) **United States Design Patent** (10) **Patent No.:** **US D861,107 S**  
**Whincup et al.** (45) **Date of Patent:** **\*\* Sep. 24, 2019**

(54) **INFLATABLE PLAY PARK**  
(71) Applicants: **Robin Whincup**, Port Charlotte, FL (US); **Michael Robin Whincup**, Bradenton, FL (US)  
(72) Inventors: **Robin Whincup**, Port Charlotte, FL (US); **Michael Robin Whincup**, Bradenton, FL (US)  
(\*\*) Term: **15 Years**

D556,288 S \* 11/2007 Robinson ..... D21/815  
D556,849 S \* 12/2007 Ferraro, Sr. .... D21/815  
D592,270 S \* 5/2009 Cobb ..... D21/835  
D595,802 S \* 7/2009 Boulton ..... D21/835  
D600,769 S \* 9/2009 Xiao ..... D21/820  
D600,770 S \* 9/2009 Xiao ..... D21/820  
D608,406 S \* 1/2010 Cobb, II ..... D21/835  
D627,848 S \* 11/2010 Cline ..... D21/814  
7,878,877 B2 \* 2/2011 Scherba ..... A63G 9/00  
446/220  
D639,886 S \* 6/2011 Cirjak ..... D21/811  
D639,887 S \* 6/2011 Cirjak ..... D21/818

(Continued)

(21) Appl. No.: **29/647,562**  
(22) Filed: **May 14, 2018**  
(51) **LOC (12) Cl.** ..... **21-03**  
(52) **U.S. Cl.**  
USPC ..... **D21/811**; D21/835  
(58) **Field of Classification Search**  
USPC ..... D21/811, 814, 818-827, 835  
CPC .... A63G 21/00-22; A63G 31/12; A63B 9/00;  
A63B 2009/006  
See application file for complete search history.

**OTHER PUBLICATIONS**

Galaxy Multi Rides Brochure, screen shots from video, 2017, 13 pages.

*Primary Examiner* — Mitchell I. Siegel  
(74) *Attorney, Agent, or Firm* — Christensen O'Connor Johnson Kindness PLLC

(57) **CLAIM**

We claim the ornamental design for an inflatable play park, as shown and described.

(56) **References Cited**

**U.S. PATENT DOCUMENTS**

D389,217 S \* 1/1998 Rubio ..... D21/814  
D389,219 S \* 1/1998 Liu ..... D21/835  
D422,667 S \* 4/2000 Lau ..... D21/814  
D423,624 S \* 4/2000 Motosko ..... D21/814  
D433,725 S \* 11/2000 Chen ..... D21/797  
D437,022 S \* 1/2001 Gourchounian ..... D21/835  
D437,023 S \* 1/2001 Gourchounian ..... D21/835  
D437,380 S \* 2/2001 Gourchounian ..... D21/835  
D439,946 S \* 4/2001 Gourchounian ..... D21/835  
D460,141 S \* 7/2002 Gourchounian ..... D21/820  
D462,103 S \* 8/2002 Chen ..... 482/27  
6,565,405 B2 \* 5/2003 Hsu ..... A63B 5/11  
446/220  
D478,955 S \* 8/2003 Chen ..... D21/797  
D511,363 S \* 11/2005 Nicholson ..... D21/818  
D556,287 S \* 11/2007 Robinson ..... D21/819

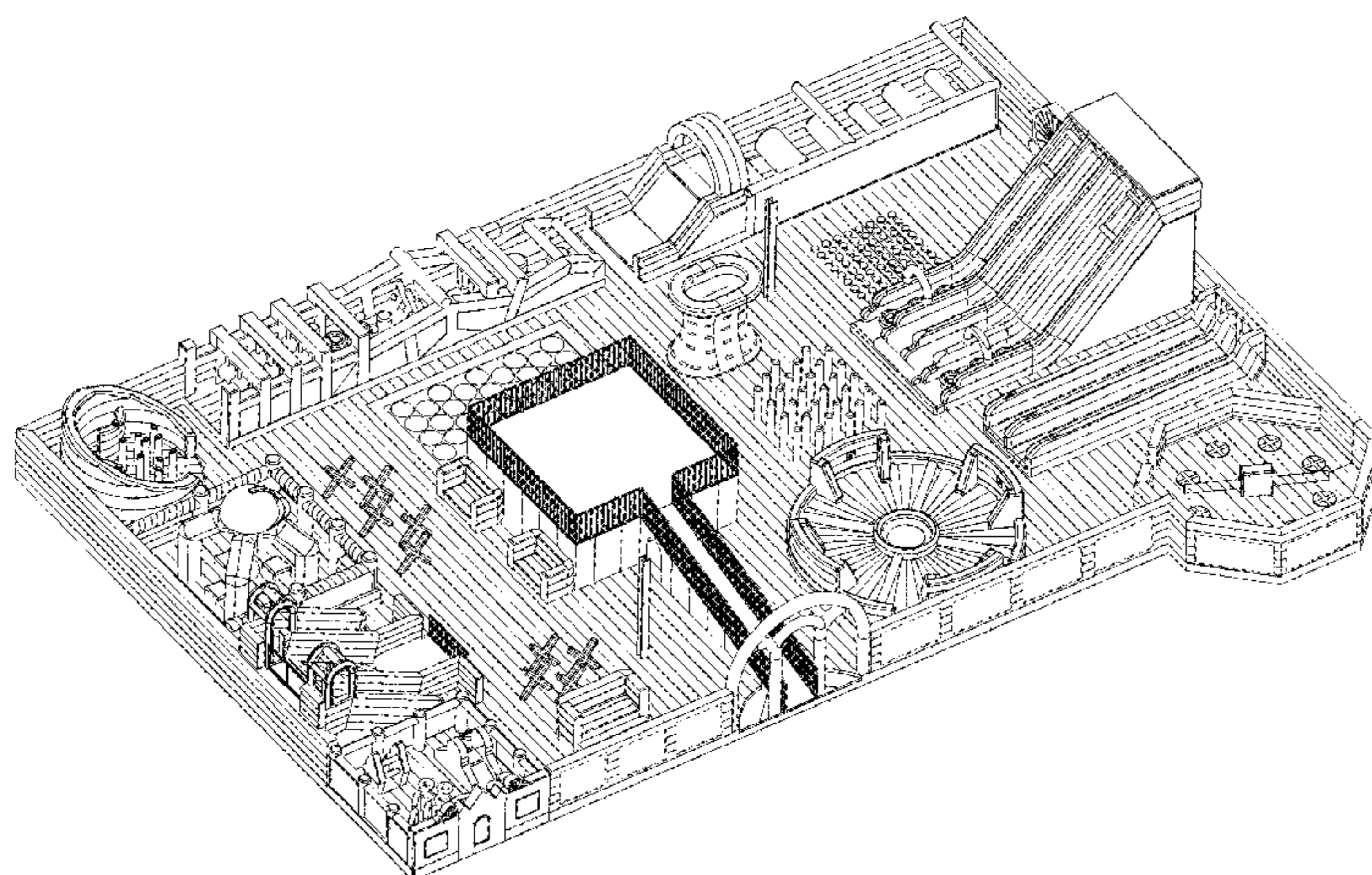
**DESCRIPTION**

FIG. 1 is a top perspective view of an inflatable play park; FIG. 2 is a front elevation view thereof; FIG. 3 is a rear elevation view thereof; FIG. 4 is a top plan view thereof; FIG. 5 is a left side elevation view thereof; and, FIG. 6 is a right side elevation view thereof.

The broken line showing is included for the purpose of illustrating unclaimed subject matter and forms no part of the claimed design.

The undisclosed bottom surface of the inflatable play park is flat and unornamented and forms no part of the claimed design.

**1 Claim, 5 Drawing Sheets**



(56)

**References Cited**

U.S. PATENT DOCUMENTS

D680,184 S *	4/2013	O'Rourke	.....	D21/835
D732,132 S *	6/2015	Seubert	.....	D21/811
D744,053 S *	11/2015	Cirjak	.....	D21/835
D762,800 S *	8/2016	Scherba	.....	D21/811
D762,801 S *	8/2016	Scherba	.....	D21/811
D803,340 S *	11/2017	Scherba	.....	D21/814
D815,709 S *	4/2018	Wang	.....	D21/818
D822,140 S *	7/2018	Hsu	.....	D21/835
D822,782 S *	7/2018	Wang	.....	D21/820
D823,418 S *	7/2018	Bagumyan	.....	D21/833
D824,471 S *	7/2018	Bagumyan	.....	D21/818
D825,016 S *	8/2018	Wang	.....	D21/818
2015/0111655 A1 *	4/2015	Coleman	.....	A63G 31/12 472/134

\* cited by examiner

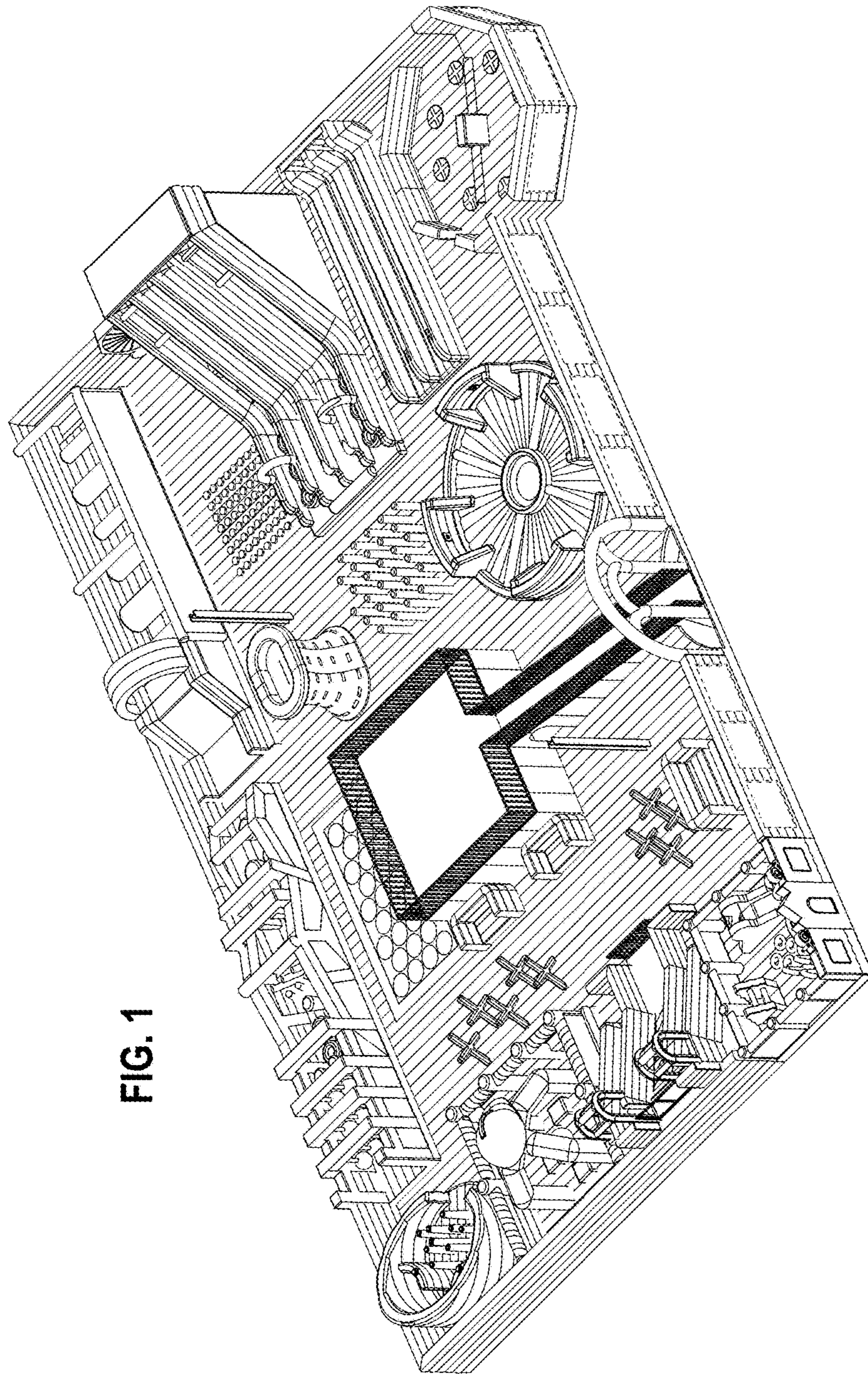


FIG. 1

FIG. 2

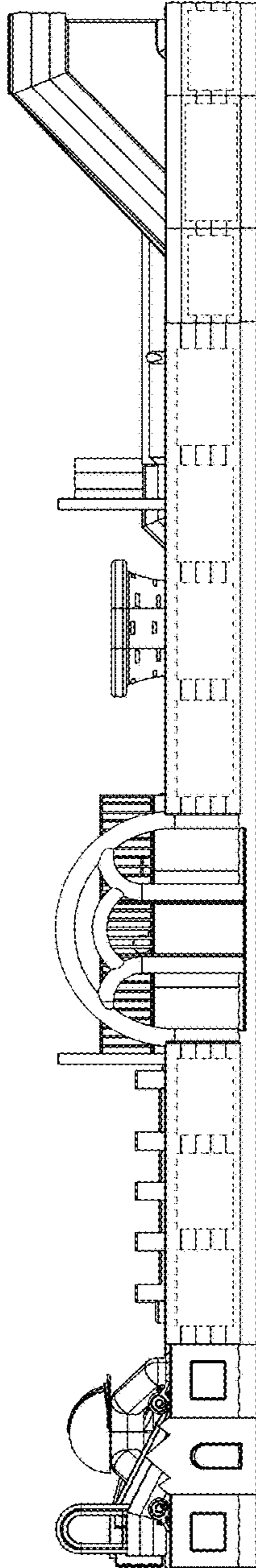


FIG. 3

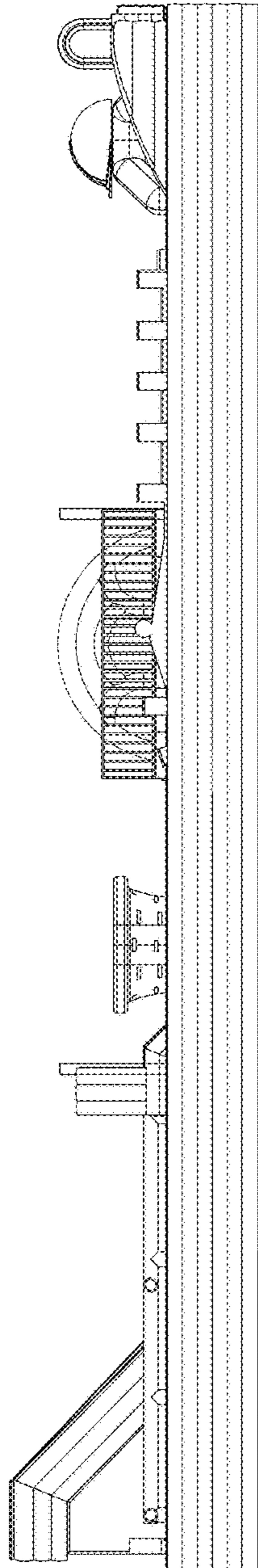


FIG. 4

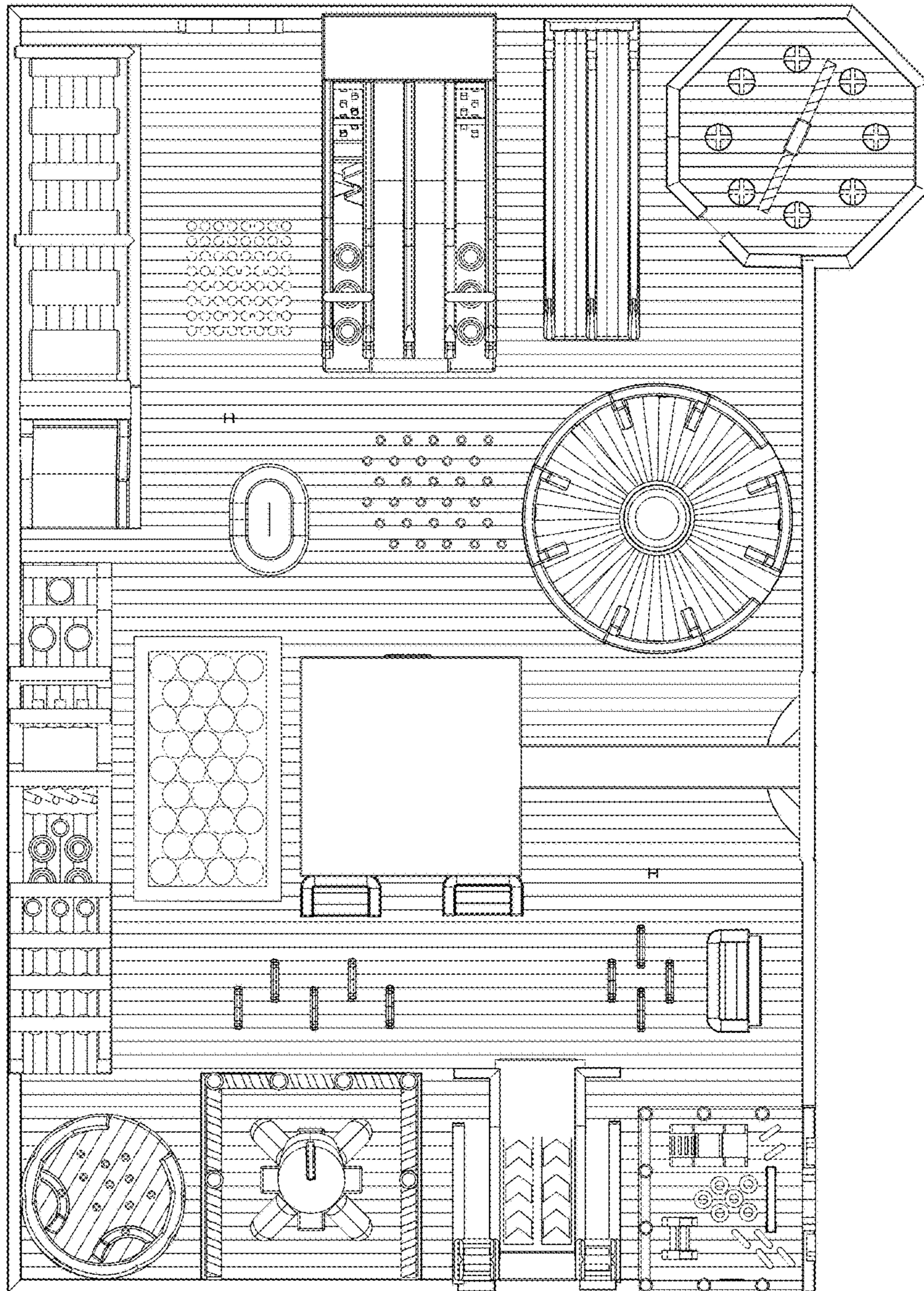


FIG. 5

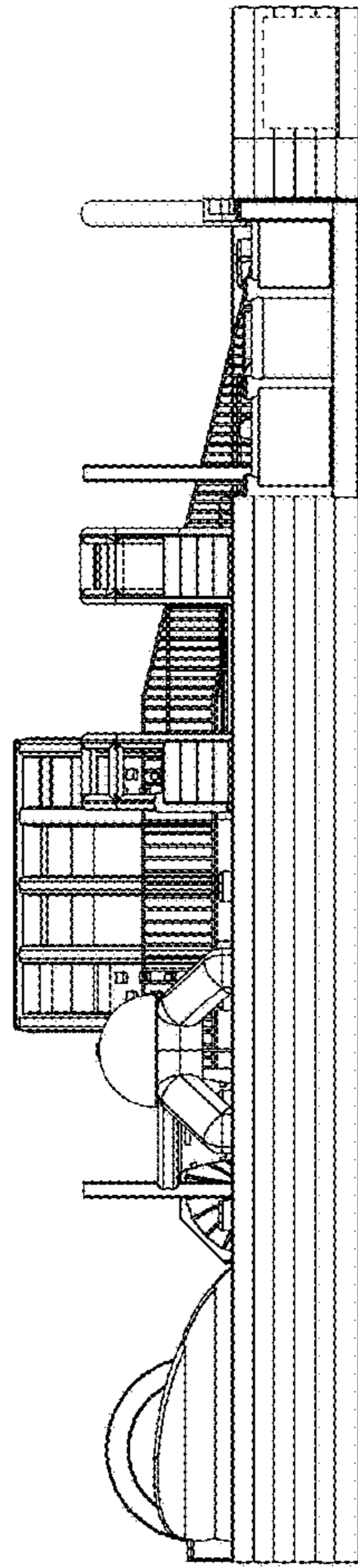


FIG. 6

