



US00D861103S

(12) **United States Design Patent** (10) **Patent No.:** **US D861,103 S**
Schwimmer (45) **Date of Patent:** **** Sep. 24, 2019**

(54) **AQUATIC TOWABLE PIZZA SLICE FLOAT**

D765,202 S * 8/2016 Peterson D21/803
D775,295 S * 12/2016 Wampold D1/106

(71) Applicant: **International Leisure Products, Inc.**,
Edgewood, NY (US)

* cited by examiner

(72) Inventor: **Larry Schwimmer**, New York, NY
(US)

Primary Examiner — Zenia I Bennett

(74) *Attorney, Agent, or Firm* — Ware, Fressola, Maguire
& Barber LLP

(73) Assignee: **International Leisure Products, Inc.**,
Edgewood, NY (US)

(57) **CLAIM**

The ornamental design for an aquatic towable pizza slice float, as shown and described.

(**) Term: **15 Years**

DESCRIPTION

(21) Appl. No.: **29/638,854**

FIG. 1 is a perspective view of the aquatic towable pizza slice float in accordance with the invention.

(22) Filed: **Mar. 1, 2018**

FIG. 2 is a top view of the aquatic towable pizza slice float in accordance with the invention.

(51) **LOC (12) Cl.** **21-02**

(52) **U.S. Cl.**
USPC **D21/803**

(58) **Field of Classification Search**
USPC D21/769–770, 801, 803, 809; D12/5, 6,
D12/316; D6/392, 595, 596, 601, 604,
D6/605

FIG. 3 is a bottom view of the aquatic towable pizza slice float in accordance with the invention.

FIG. 4 is a first side view of the aquatic towable pizza slice float in accordance with the invention.

CPC B63B 35/73; B63B 35/731; B63B 35/735;
B63B 35/737; B63B 35/74; B63B 35/76;
B63B 35/78

FIG. 5 is a second side view of the aquatic towable pizza slice float in accordance with the invention, wherein the second side is opposite the first side.

See application file for complete search history.

FIG. 6 is a front view of the aquatic towable pizza slice float in accordance with the invention; and,

FIG. 7 is a rear view of the aquatic towable pizza slice float in accordance with the invention.

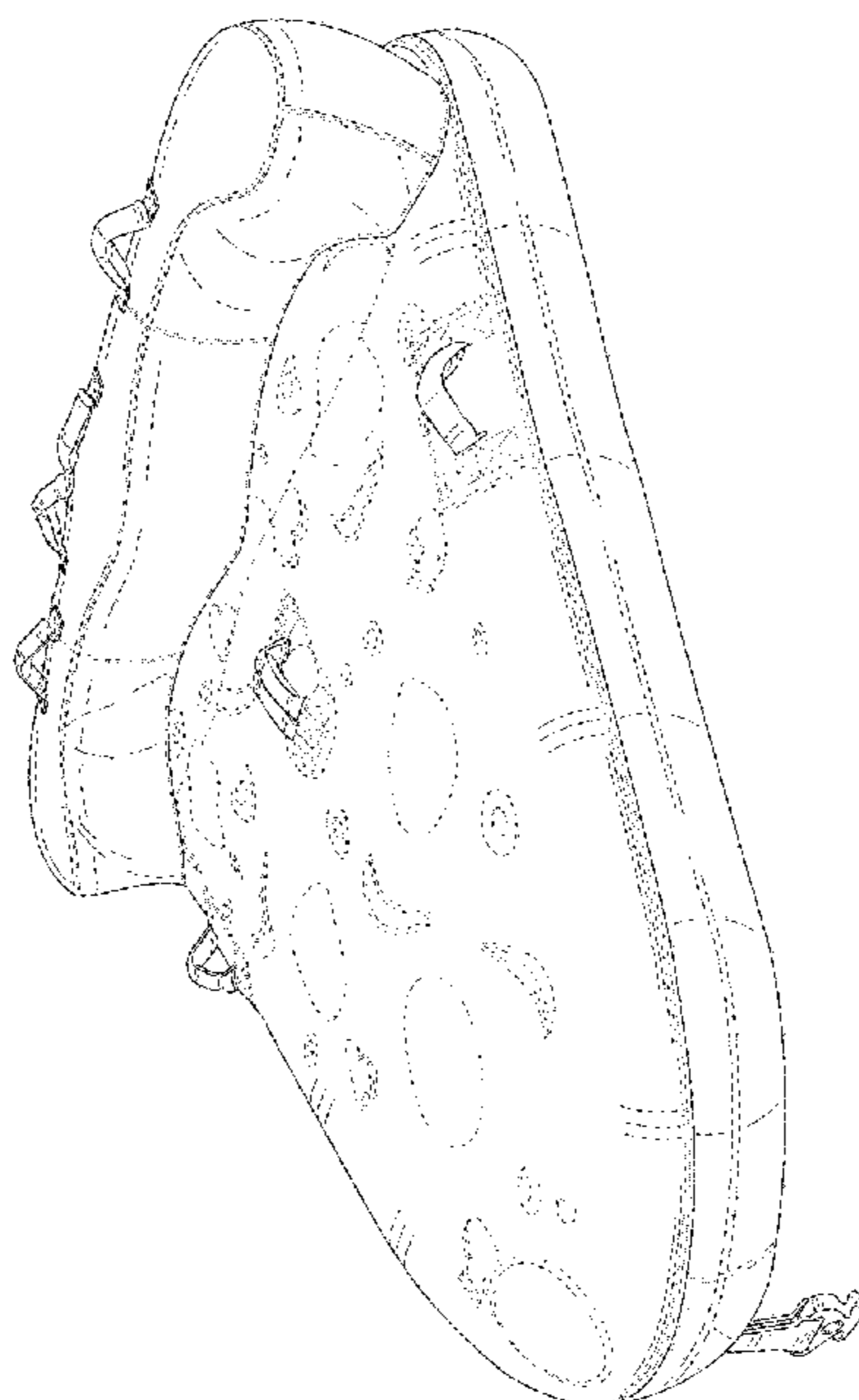
(56) **References Cited**

U.S. PATENT DOCUMENTS

D323,921 S * 2/1992 Kawchak D1/129
D413,643 S * 9/1999 Langley, III D21/808
D428,466 S * 7/2000 Langley, III D21/808
D551,732 S * 9/2007 Peterson D21/803

The larger type broken lines shown in FIGS. 1-7 are of various surface features of the aquatic towable pizza slice float that form no part of the claimed design. The smaller type broken lines shown in FIGS. 1-7 represent stitching and are part of the claimed design.

1 Claim, 6 Drawing Sheets



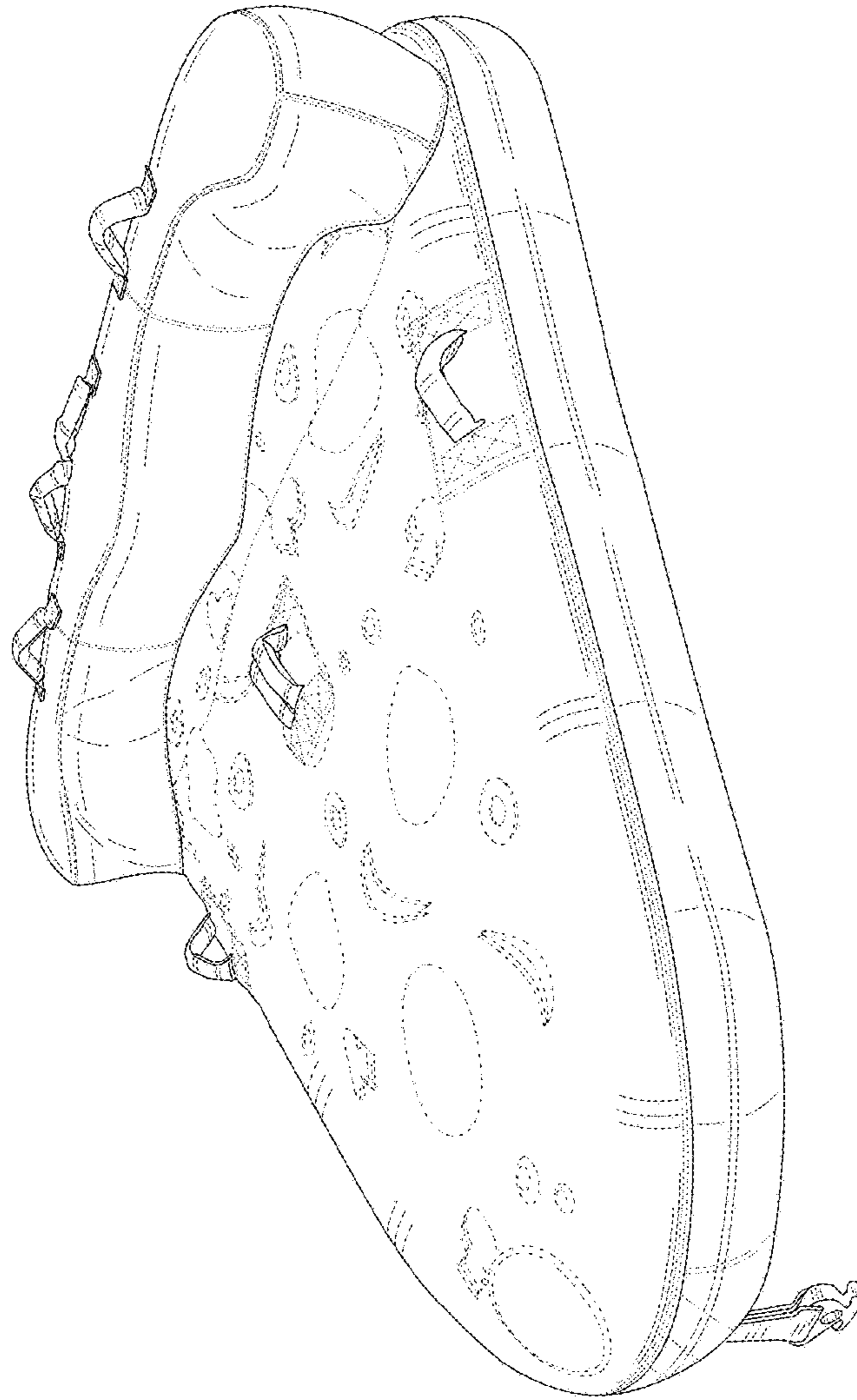


Fig. 1

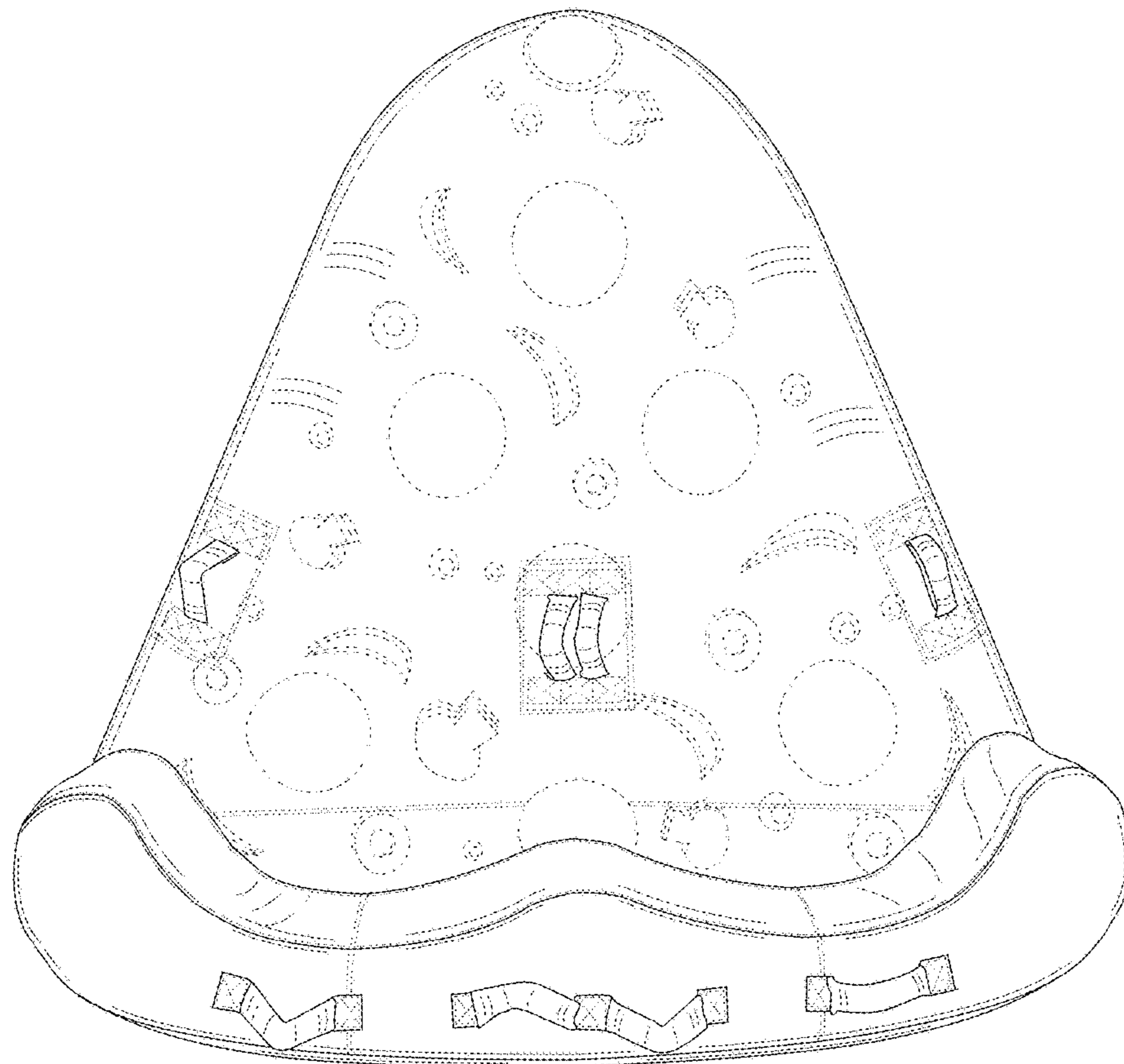


Fig. 2

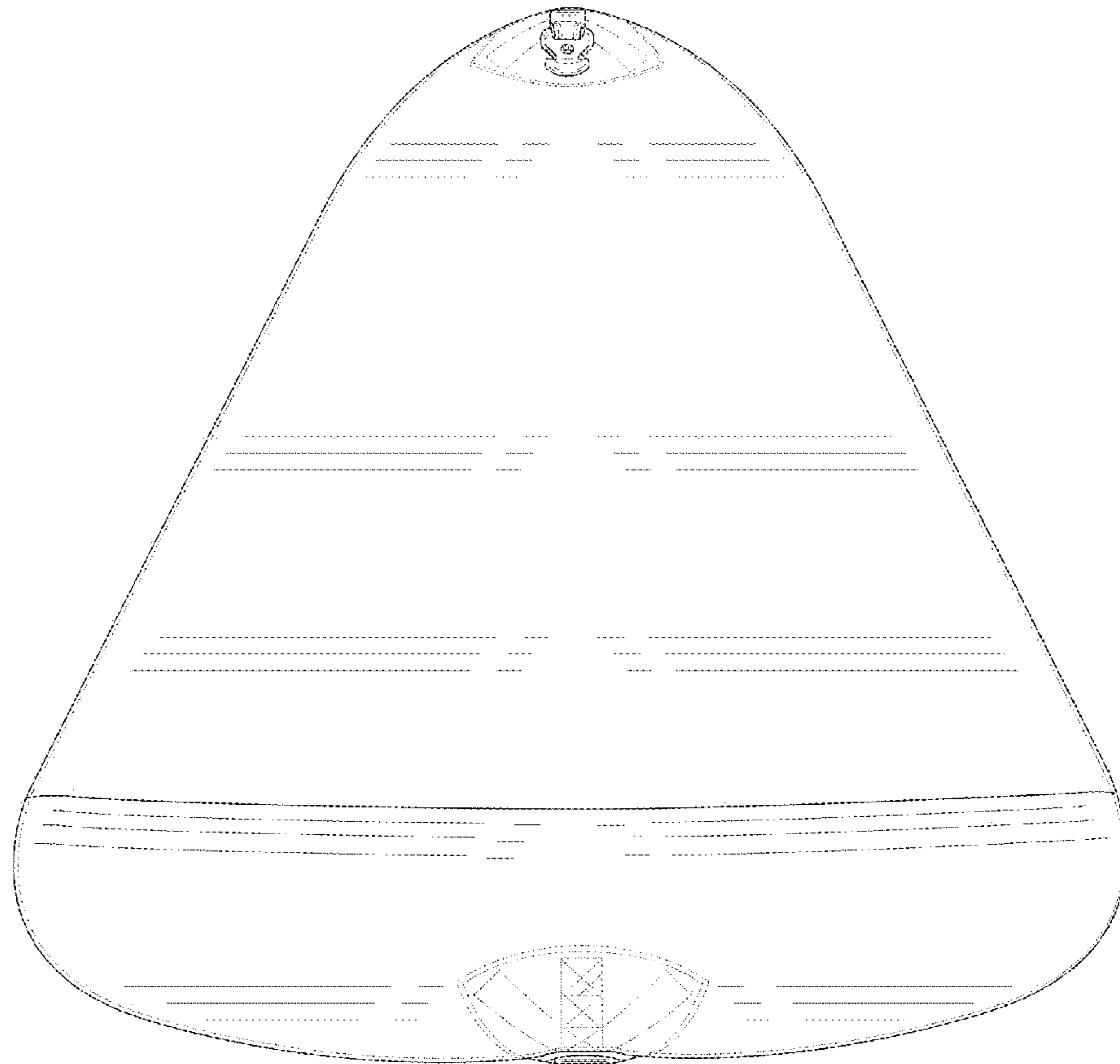


Fig. 3

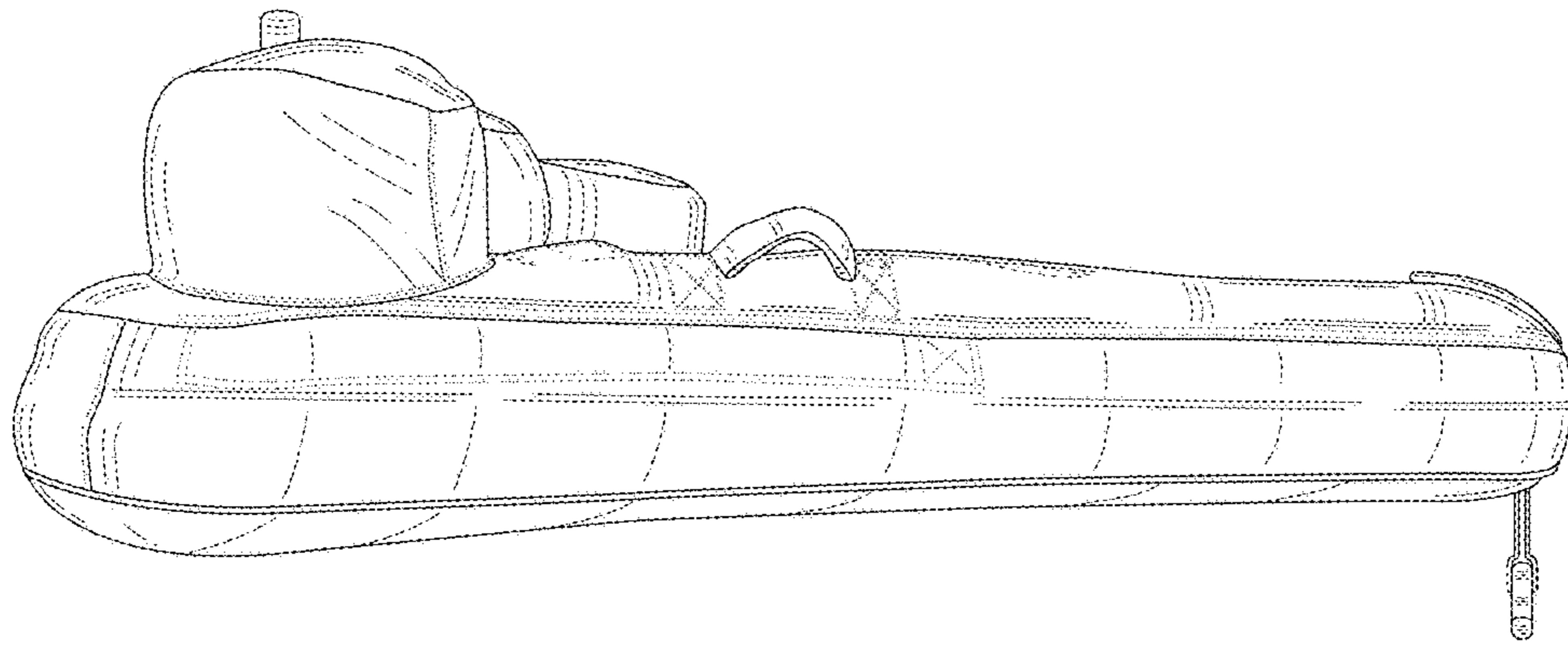


Fig. 4

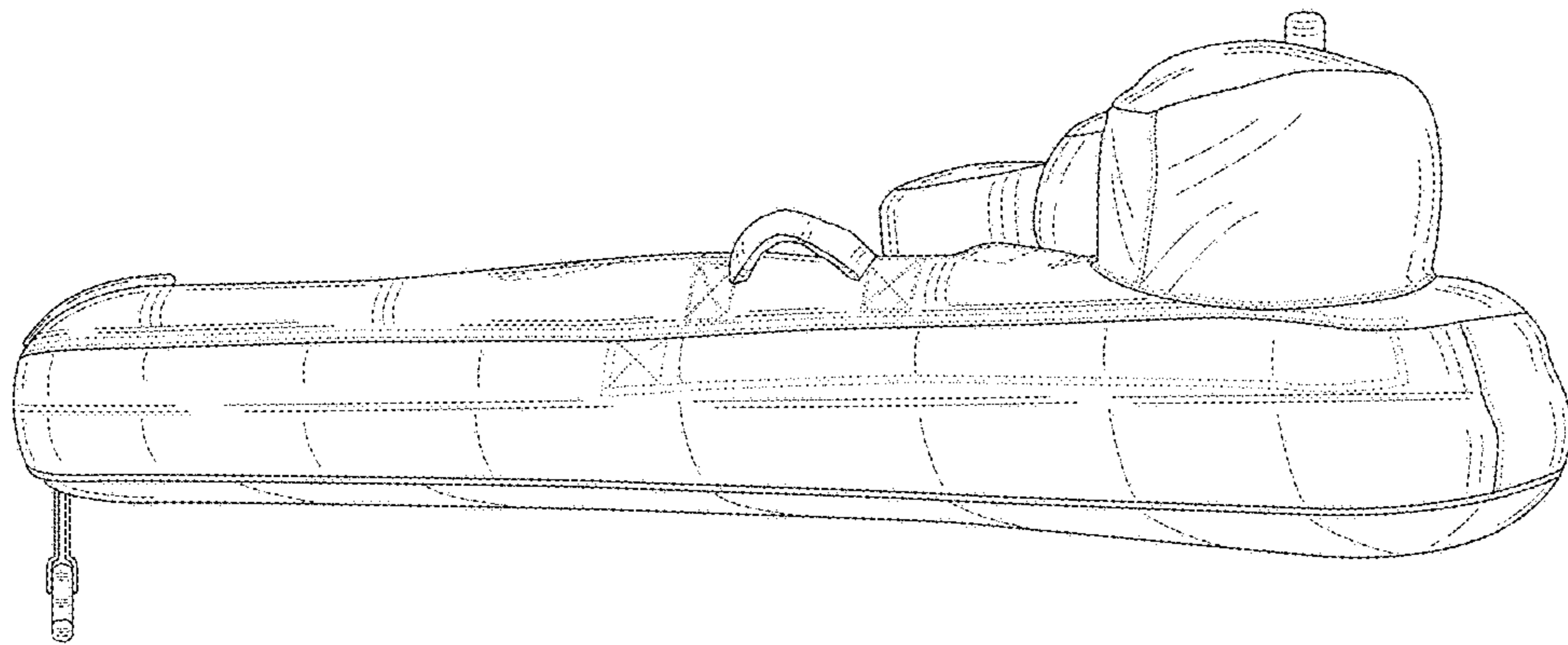


Fig. 5

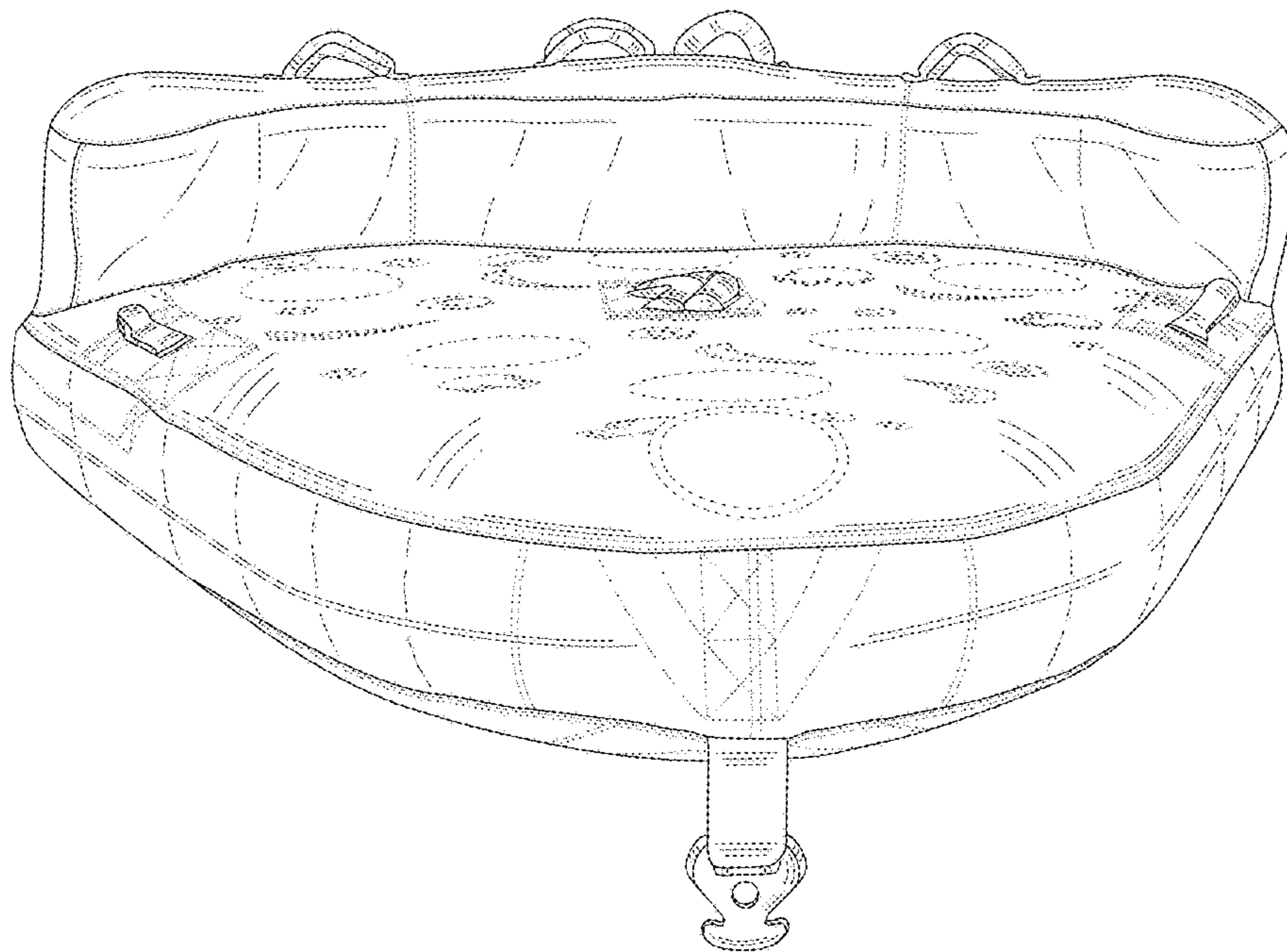


Fig. 6

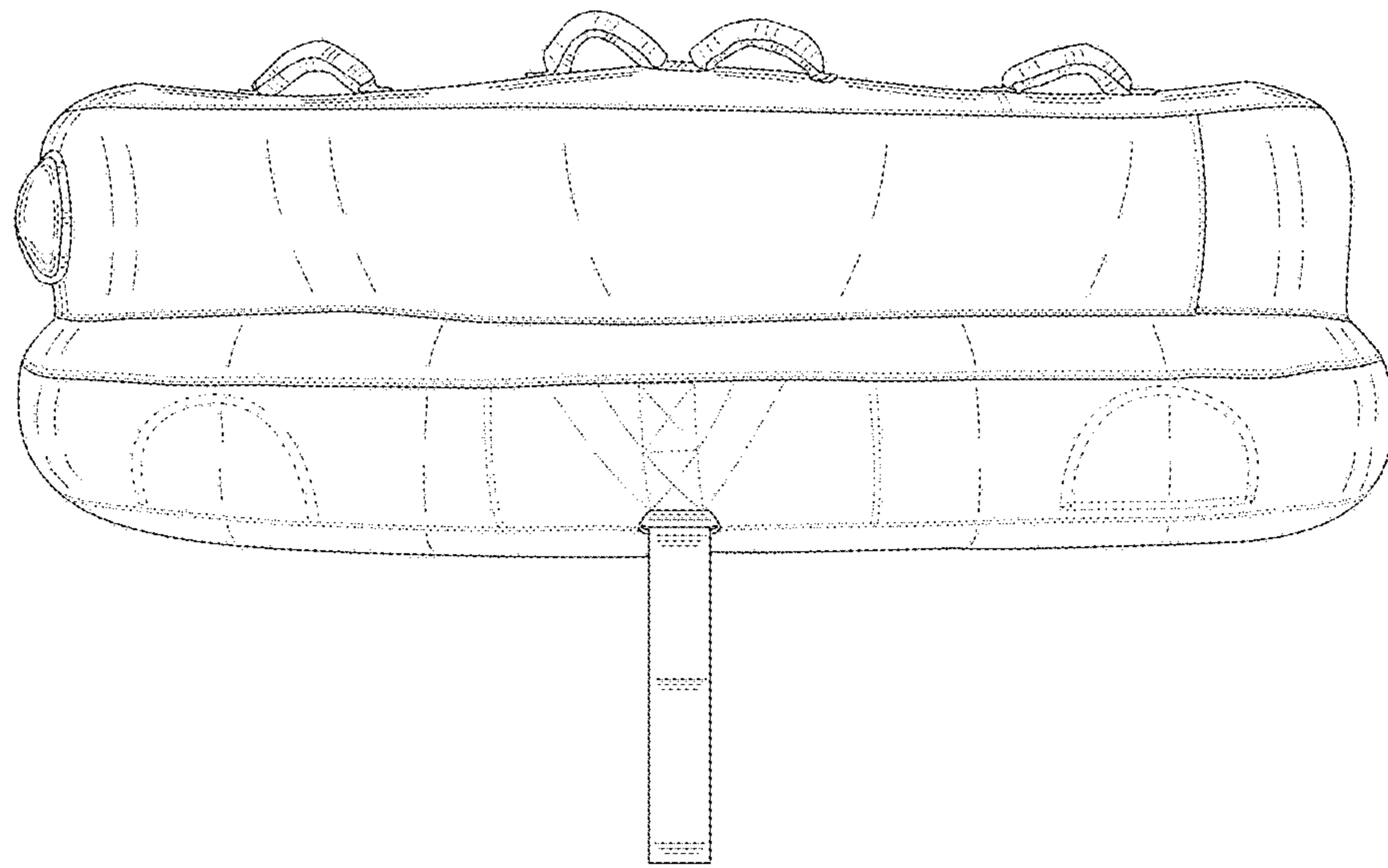


Fig. 7