



US00D861100S

(12) **United States Design Patent** (10) **Patent No.:** **US D861,100 S**  
**Jones et al.** (45) **Date of Patent:** **\*\* Sep. 24, 2019**

(54) **GOLF DEVICE**  
(71) Applicant: **SIMION THOMAS LIMITED**,  
Manchester Lancashire (GB)  
(72) Inventors: **Peter Thomas Jones**, Manchester (GB);  
**Simion Andrew Baxter-Cox**,  
Manchester (GB)

D708,286 S \* 7/2014 Hinshaw ..... D21/793  
8,764,587 B2 \* 7/2014 Sinanis ..... A63B 57/0037  
473/387  
D775,701 S \* 1/2017 Hinshaw ..... D21/793  
D795,369 S \* 8/2017 Buechler ..... D21/717  
2003/0148830 A1 \* 8/2003 Hsiao ..... A63B 57/10  
473/387

(73) Assignee: **Simion Thomas Limited** (GB)

FOREIGN PATENT DOCUMENTS  
GB 4021061 7/2011  
GB 4032551 11/2013

(\*\*) Term: **15 Years**

OTHER PUBLICATIONS

(21) Appl. No.: **29/617,983**

One (1) page advertisement illustrating a photograph of golf tees. The advertisement was published more than one (1) year prior to the subject applications filing and priority dates, namely before Sep. 13, 2016. Publisher (unknown), Author (unknown).

(22) Filed: **Sep. 18, 2017**

(Continued)

(30) **Foreign Application Priority Data**

Sep. 14, 2017 (GB) ..... 6018697

(51) **LOC (12) Cl.** ..... **21-02**

*Primary Examiner* — Mitchell I. Siegel  
(74) *Attorney, Agent, or Firm* — Tarolli, Sundheim,  
Covell & Tummino LLP; John A. Yirga, Esq.

(52) **U.S. Cl.**  
USPC ..... **D21/793**; D21/717

(58) **Field of Classification Search**  
USPC ..... D21/789, 793, 794, 717-718  
CPC ..... A63B 57/00; A63B 57/50; A63B 57/12;  
A63B 57/16; A63B 57/20; A63B 57/30;  
A63B 57/35; A63B 57/10; A63B 57/19  
See application file for complete search history.

(57) **CLAIM**

The ornamental design for a golf device, as shown and described.

**DESCRIPTION**

(56) **References Cited**

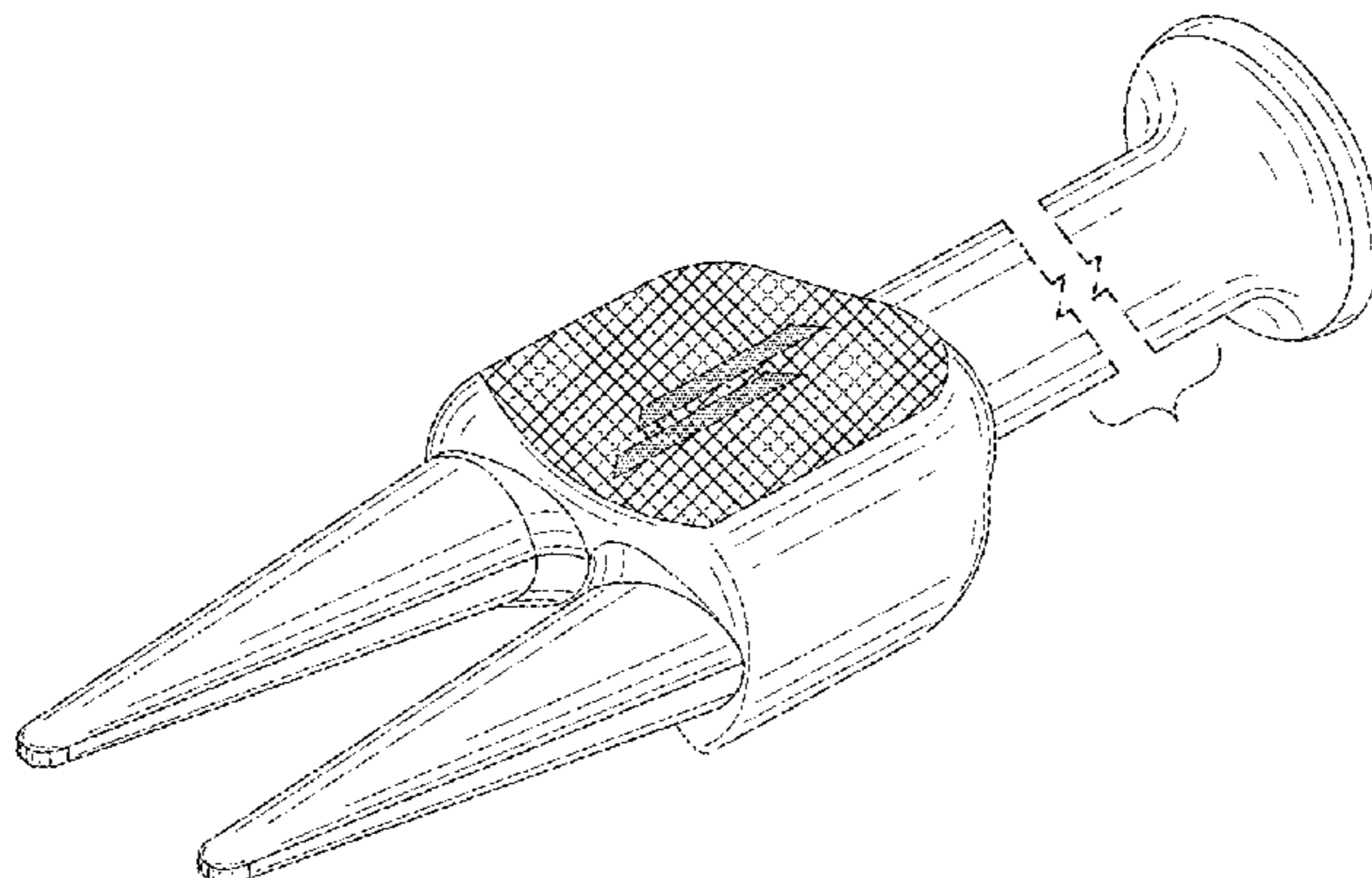
U.S. PATENT DOCUMENTS

D230,409 S \* 2/1974 Schaffer ..... D21/718  
D308,713 S \* 6/1990 Sherry ..... D21/793  
D316,286 S \* 4/1991 Johnson ..... D21/718  
5,211,395 A \* 5/1993 Liao ..... A63B 57/207  
473/391  
D382,929 S \* 8/1997 DeBlieux ..... D21/717  
D385,940 S \* 11/1997 Justice ..... D21/794  
D487,788 S \* 3/2004 Impellizeri ..... D21/793  
D656,212 S \* 3/2012 Cherrie ..... D21/717

FIG. 1 is a perspective view of a golf device;  
FIG. 2 is a front elevation view thereof;  
FIG. 3 is a rear elevation view thereof; and,  
FIG. 4 is a right side elevation view thereof, the left side  
elevation view being the same.

The broken away area in the drawings indicates the appearance of any portion of the article between the break-lines forms no part of the claimed design. The broken lines disclosed on the drawings represent break-lines and form no part of the claimed design.

**1 Claim, 4 Drawing Sheets**



(56)

**References Cited**

OTHER PUBLICATIONS

One (1) page advertisement illustrating three photographs for packaging for golf tees. The advertisement was published more than one (1) year prior to the subject applications filing and priority dates, namely before Sep. 13, 2016. Publisher (unknown), Author (unknown), website (unknown).

Two (2) page advertisement illustrating photographs for golf tees. The advertisement was published more than one (1) year prior to the subject applications filing and priority dates, namely before Sep. 13, 2016. Publisher (unknown), Author (unknown).

One (1) page advertisement illustrating golf tees. The advertisement was published more than one (1) year prior to the subject applications filing and priority dates, namely before Sep. 13, 2016. Publisher (unknown), Author (unknown).

Two (2) page advertisement for golf tees. The advertisement was published more than one (1) year prior to the subject applications

filing and priority dates, namely before Sep. 13, 2016. Publisher (unknown), Author (unknown).

Eight (8) page advertisement for golf tees. The advertisement was published more than one (1) year prior to the subject applications filing and priority dates, namely before Sep. 13, 2016. Publisher (unknown), Author (unknown).

One (1) page advertisement for golf tees. The advertisement was published more than one (1) year prior to the subject applications filing and priority dates, namely before Sep. 13, 2016, Publisher (unknown), Author (unknown).

One (1) page advertisement for golf tees. The advertisement was published more than one (1) year prior to the subject applications filing and priority dates, namely before Sept, 13, 2016. Publisher (unknown), Author (unknown).

One (1) page advertisement for golf tees shown in two separate photographs. The advertisement was published more than one (1) year prior to the subject applications filing and priority dates, namely before Sep. 13, 2016. Publisher (unknown), Author (unknown).

\* cited by examiner

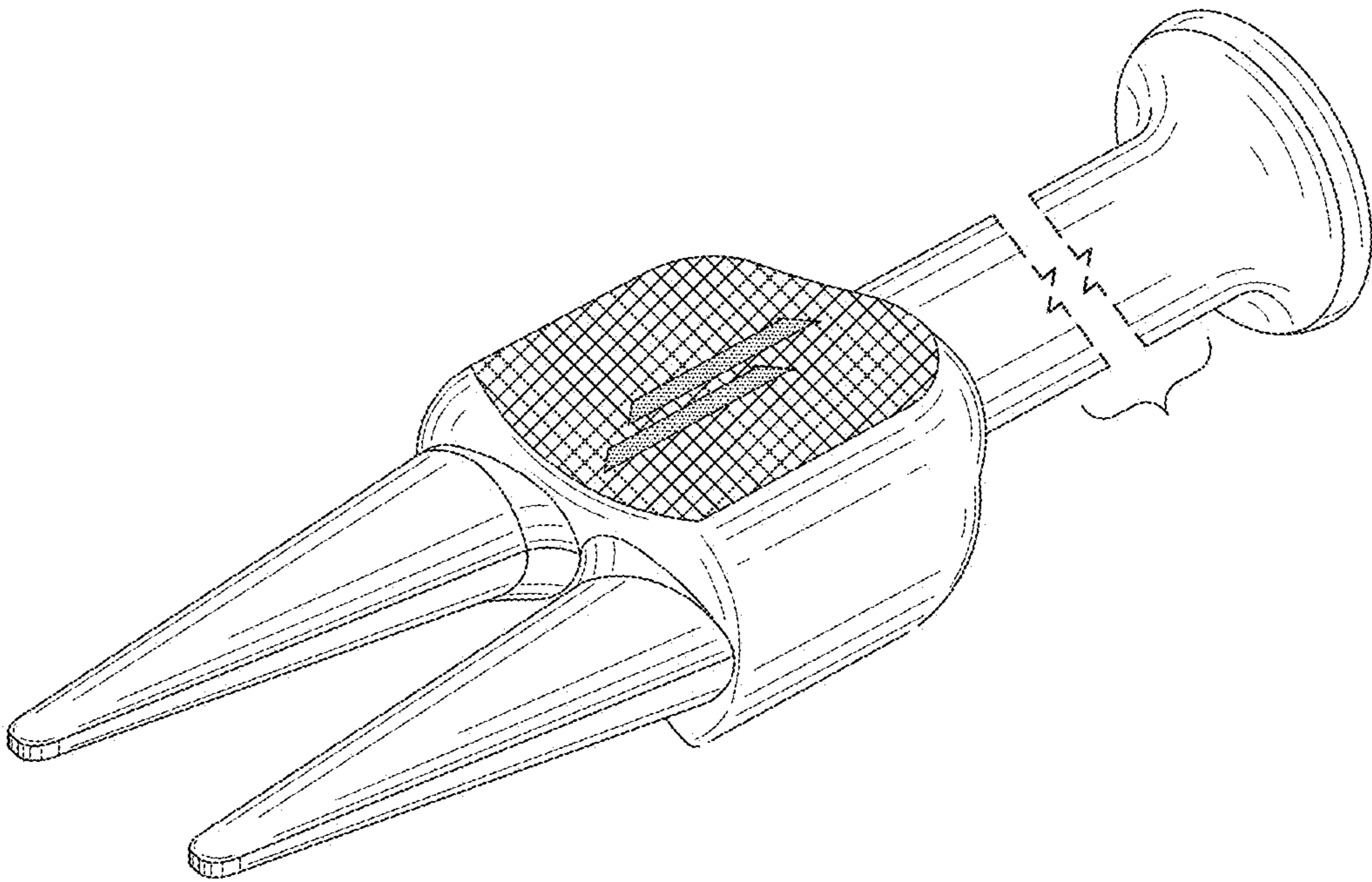


FIG. 1

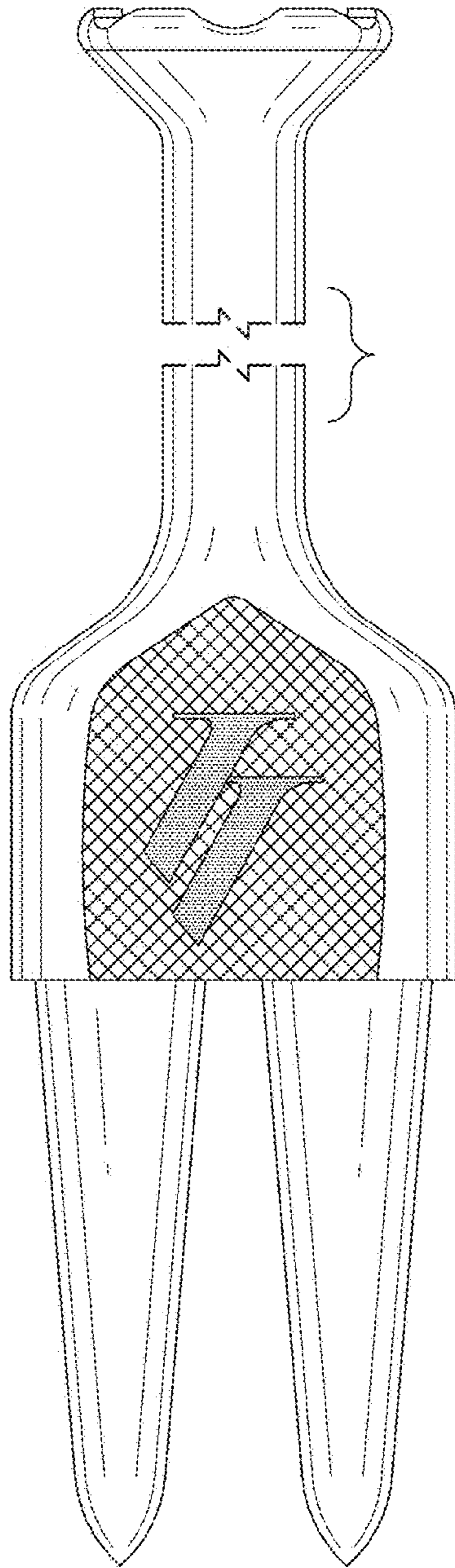


FIG. 2

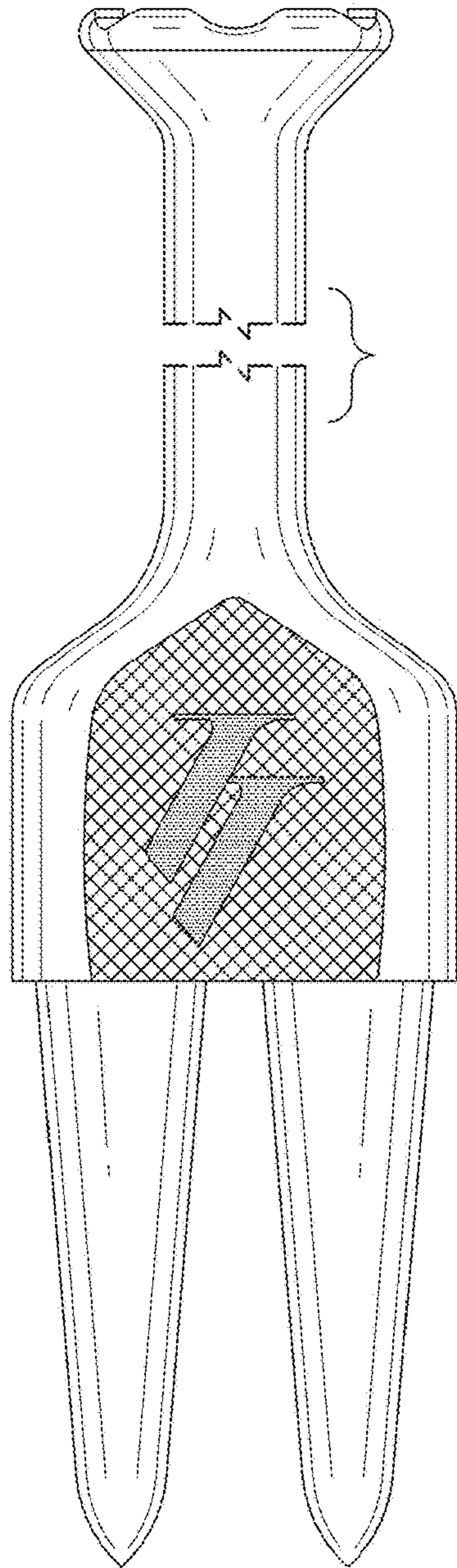


FIG. 3

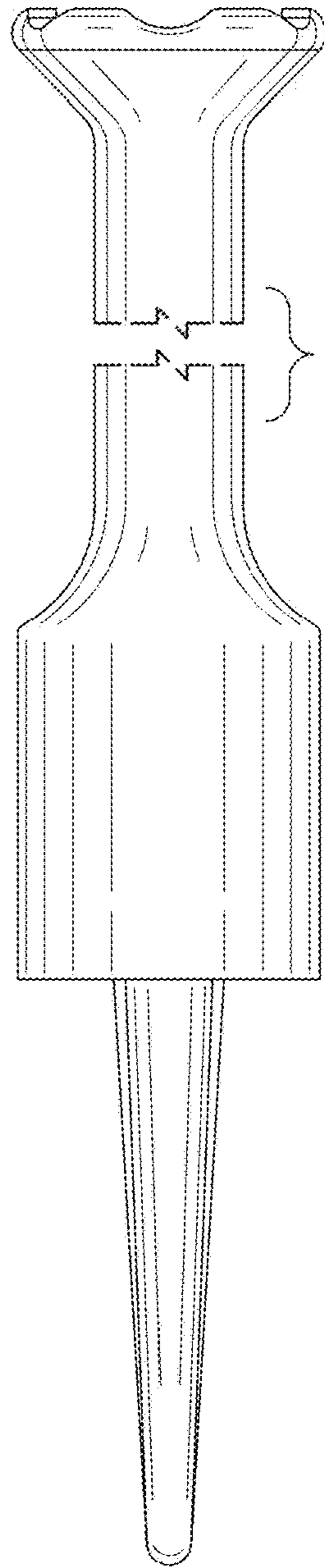


FIG. 4