



US00D861099S

(12) **United States Design Patent** (10) **Patent No.:** **US D861,099 S**  
**Recesso** (45) **Date of Patent:** **\*\* Sep. 24, 2019**

(54) **ACCESSORY FOR CONVERTING A SKATEBOARD OR KICK SCOOTER INTO A TRAMPOLINE BOUNCE BOARD**

(71) Applicant: **John Recesso**, Atkinson, NH (US)

(72) Inventor: **John Recesso**, Atkinson, NH (US)

(\*\*) Term: **15 Years**

(21) Appl. No.: **29/633,092**

(22) Filed: **Jan. 12, 2018**

(51) **LOC (12) Cl.** ..... **21-02**

(52) **U.S. Cl.**  
USPC ..... **D21/771**

(58) **Field of Classification Search**  
USPC ..... D21/760, 765, 771  
CPC .. A63B 22/16; A63B 5/11; A63B 5/16; A63C 17/0006; A63C 17/00013; A63C 17/002; A63C 17/0046; A63C 17/01  
See application file for complete search history.

(56) **References Cited**

**U.S. PATENT DOCUMENTS**

- 5,080,382 A \* 1/1992 Franz ..... A63C 17/01  
280/1.182
- 6,196,558 B1 \* 3/2001 Simon ..... A63C 5/03  
280/11.3
- 6,616,583 B1 \* 9/2003 Stack ..... A63B 21/0004  
482/146
- D501,905 S \* 2/2005 Ellis ..... D21/760
- 6,942,487 B2 \* 9/2005 Corbalis ..... A63B 69/0093  
280/818
- D530,385 S \* 10/2006 Ghassedi ..... D21/765
- D566,215 S \* 4/2008 Ellis ..... D21/765
- D567,883 S \* 4/2008 Ota ..... D21/421
- 7,666,126 B2 \* 2/2010 Rempe ..... A63B 22/18  
482/121
- 7,748,722 B2 \* 7/2010 Kane ..... A63B 69/0093  
280/14.22

- 8,282,533 B1 \* 10/2012 Ferraro ..... A63B 5/16  
280/14.22
- 8,979,722 B2 \* 3/2015 Klein ..... A63F 13/807  
482/129
- 10,039,955 B2 \* 8/2018 Palmer ..... A63B 69/0093
- 2002/0077222 A1 \* 6/2002 Daly ..... A63B 5/00  
482/77
- 2002/0163144 A1 \* 11/2002 Guerra ..... A63B 69/0093  
280/11.27
- 2007/0202993 A1 \* 8/2007 Norwell ..... A63B 69/0093  
482/30

**OTHER PUBLICATIONS**

Trampoline bounce board, posted on Trampoline Review Site Nov. 10, 2017 [online], [site visited Jun. 10, 2019]. Available from Internet: <URL: <https://trampolinereviewsite.com/trampoline-bounce-board/>>.\*

(Continued)

*Primary Examiner* — Cynthia M. Chin  
(74) *Attorney, Agent, or Firm* — Daniel N. Smith

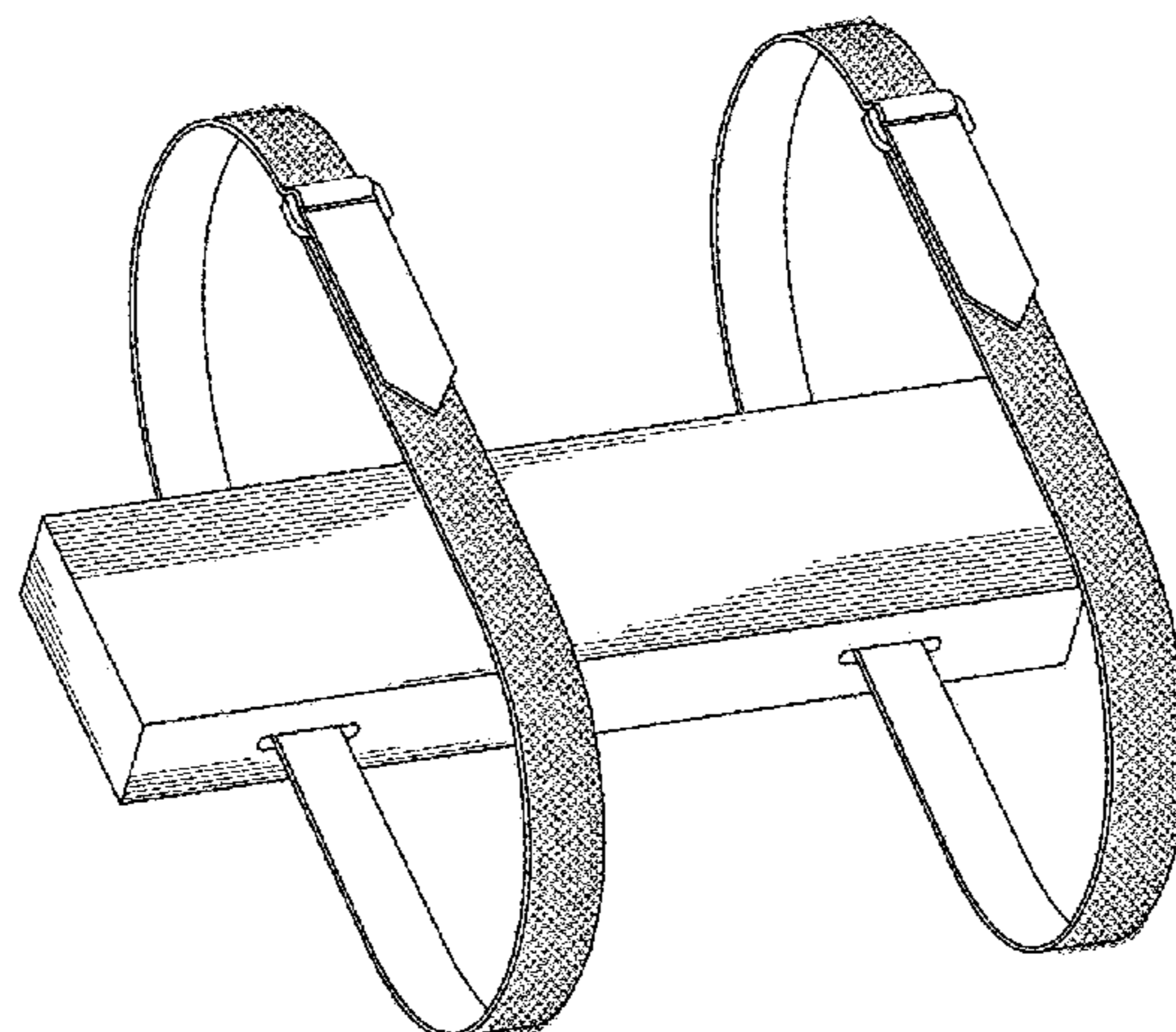
(57) **CLAIM**

The ornamental design for an accessory for converting a skateboard or kick scooter into a trampoline bounce board, as shown and described.

**DESCRIPTION**

FIG. 1 is an isometric view of an accessory for converting a skateboard or kick scooter into a trampoline bounce board with straps unconnected; FIG. 2 is a top view thereof; FIG. 3 is a bottom view thereof; FIG. 4 is a front view thereof; FIG. 5 is a rear view thereof; FIG. 6 is a left side view thereof; FIG. 7 is a right side view thereof; and, FIG. 8 is an isometric view of the accessory with the straps connected.

**1 Claim, 5 Drawing Sheets**



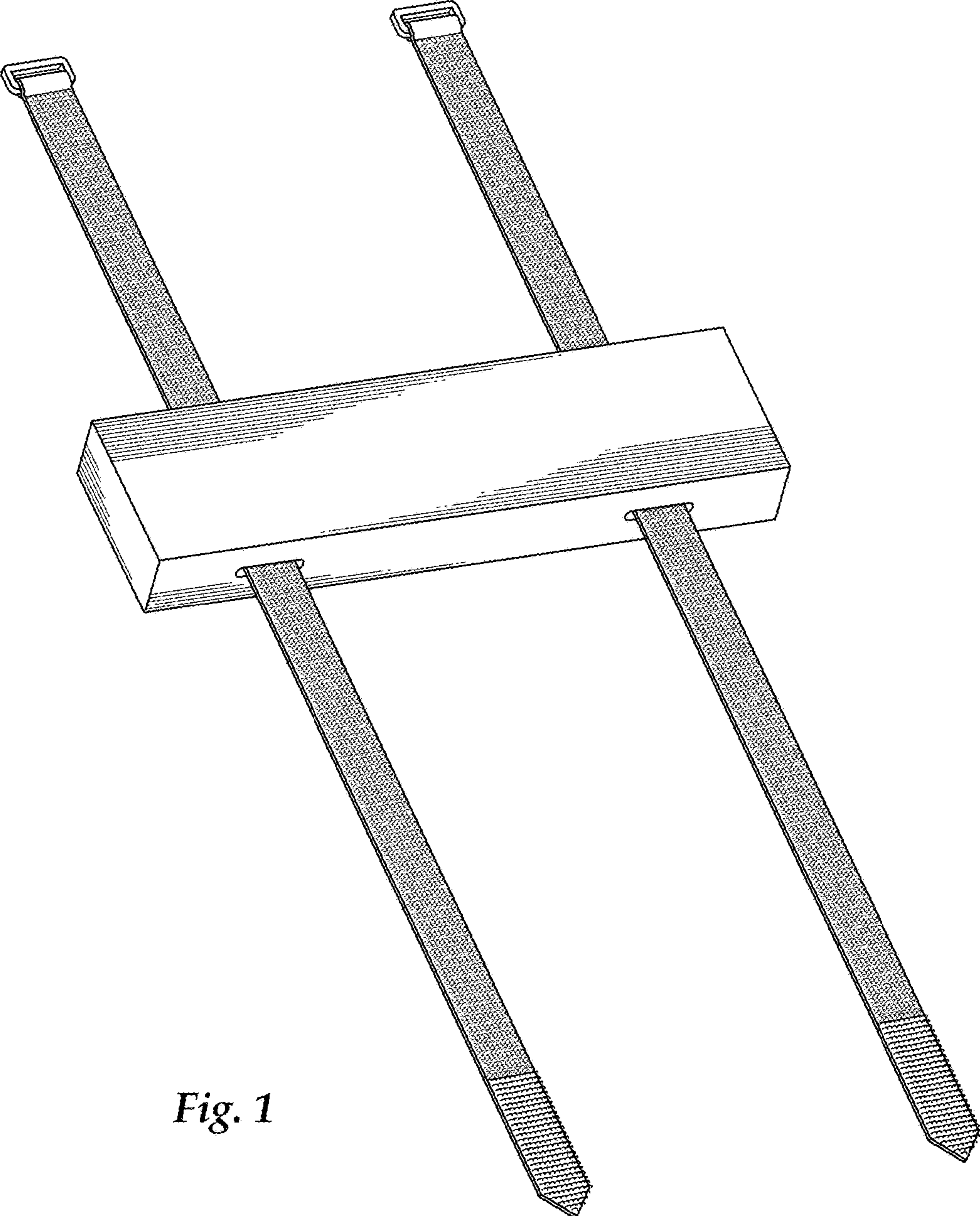
(56)

**References Cited**

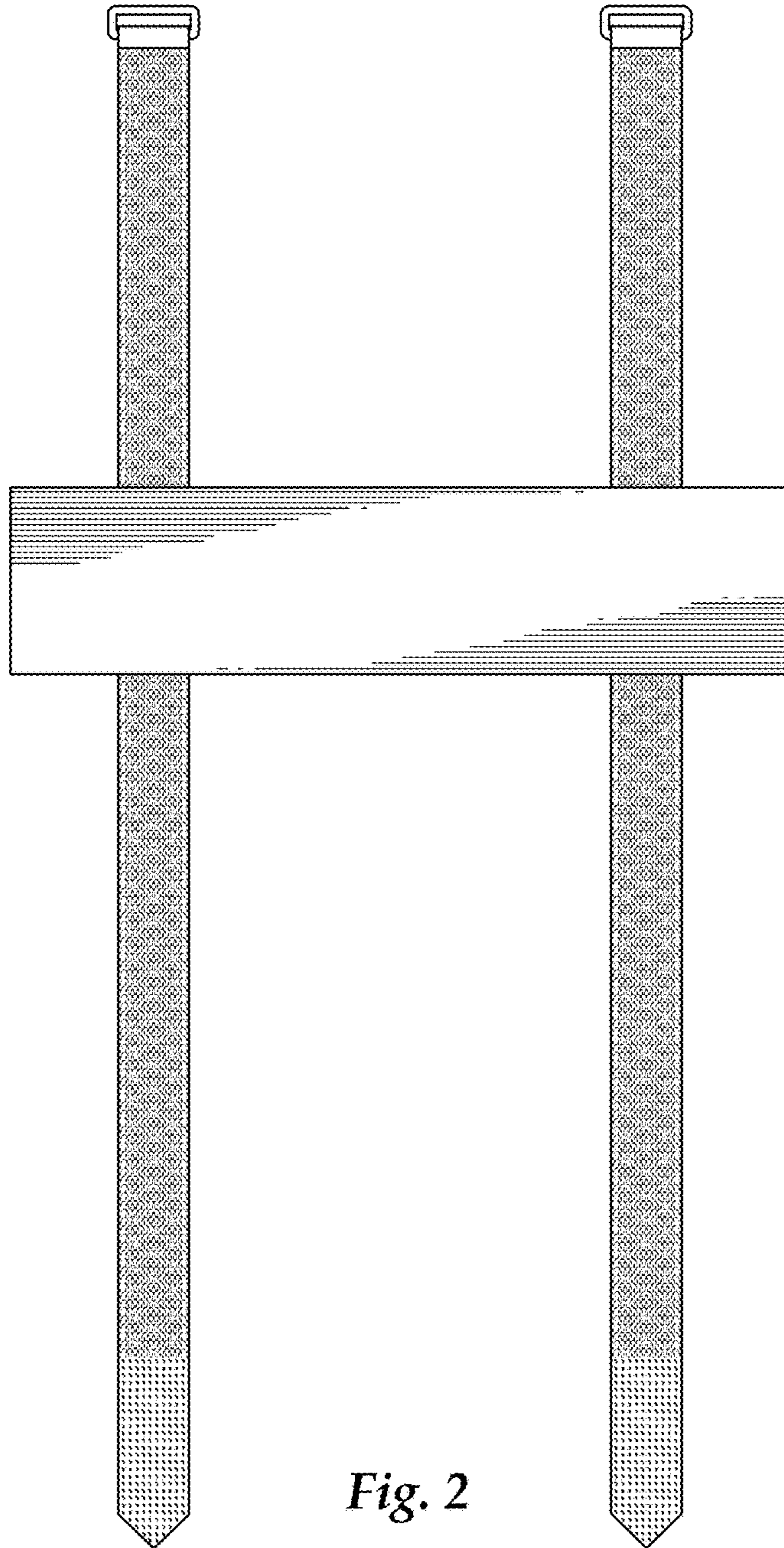
OTHER PUBLICATIONS

Bounceboard Trampoline Boards, Published on Youtube.com Jan. 31, 2017 [online], [site visited Jun. 10, 2019]. Available from Internet: <URL:<https://youtu.be/pqadPxGq7cM>>.\*

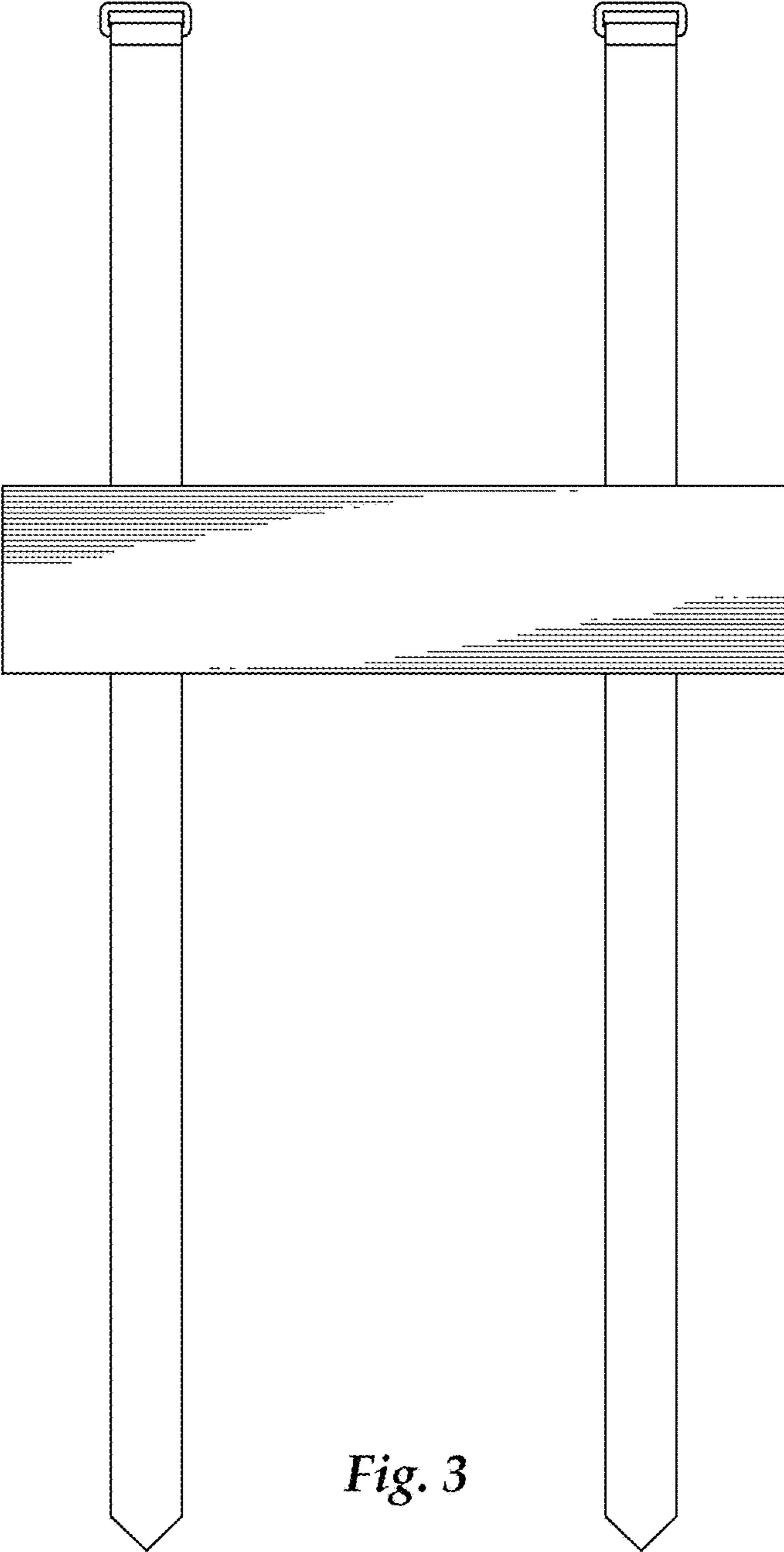
\* cited by examiner



*Fig. 1*



*Fig. 2*



*Fig. 3*

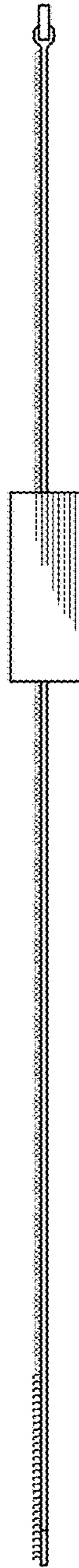


Fig. 4

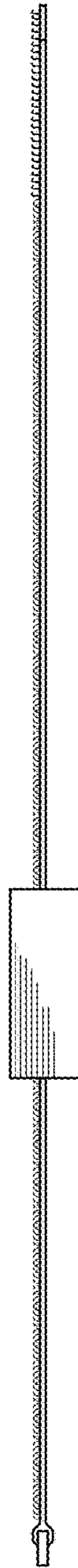


Fig. 5

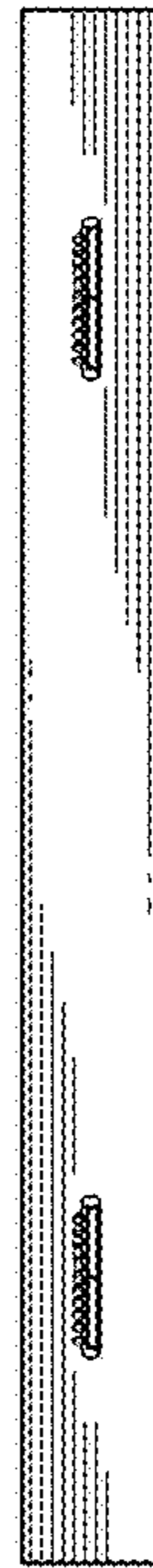


Fig. 6

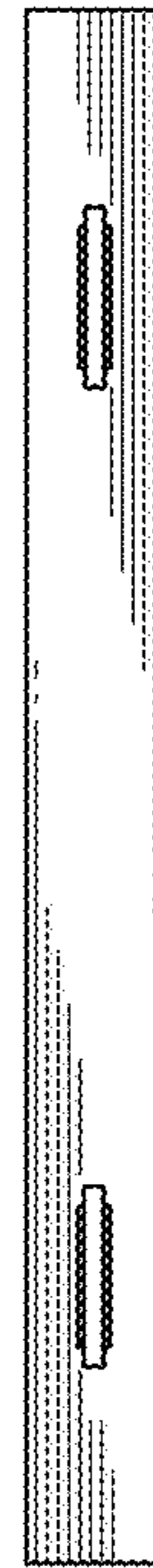
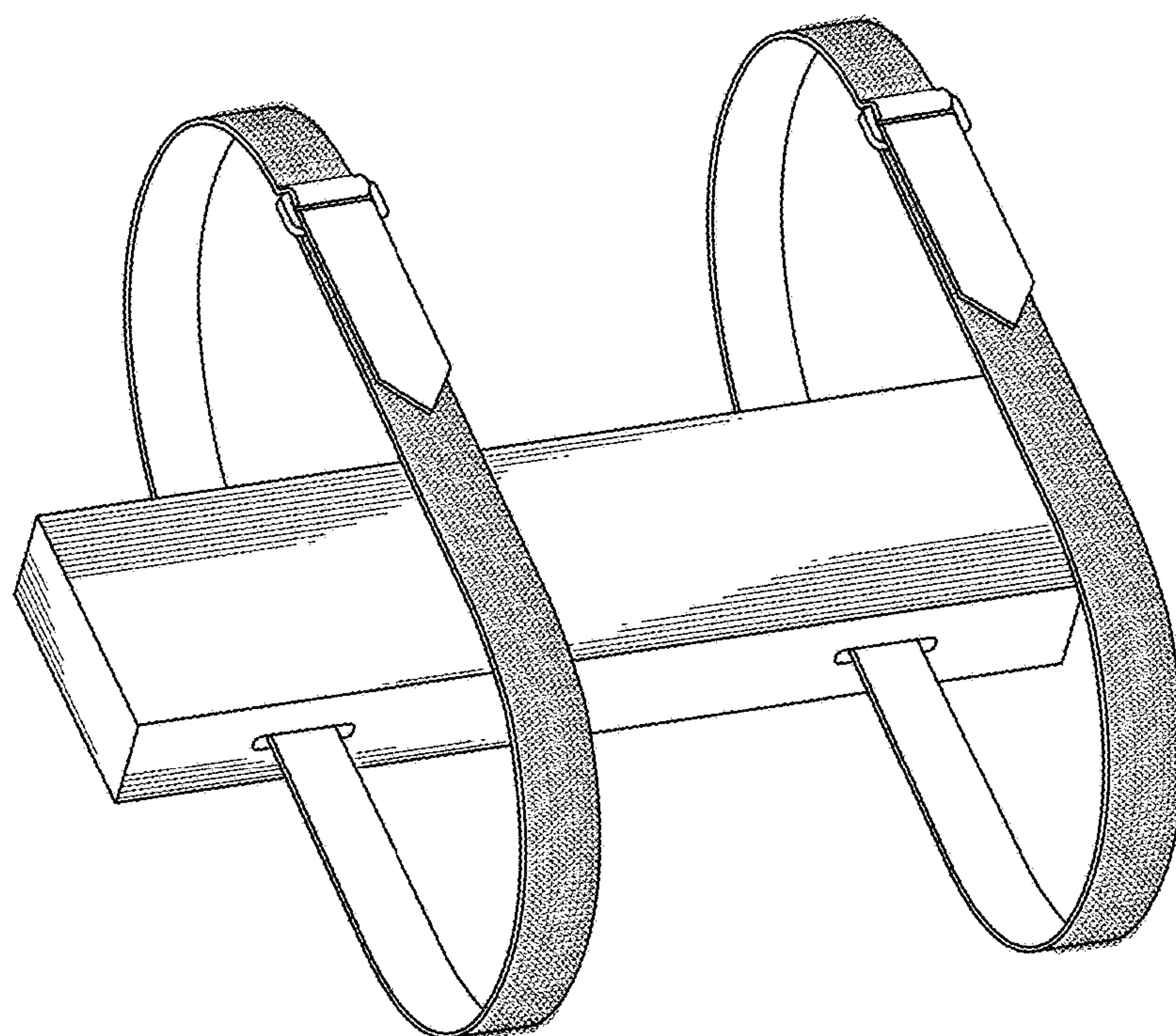


Fig. 7



*Fig. 8*