



US00D861096S

(12) **United States Design Patent** (10) **Patent No.:** **US D861,096 S**  
**Cameron** (45) **Date of Patent:** **\*\* Sep. 24, 2019**

(54) **GOLF CLUB HEAD**  
(71) Applicant: **Acushnet Company**, Fairhaven, MA (US)  
(72) Inventor: **Don T. Cameron**, Carlsbad, CA (US)  
(73) Assignee: **Acushnet Company**, Fairhaven, MA (US)  
(\*\*) Term: **15 Years**

D438,272 S \* 2/2001 Moore ..... D21/736  
D443,906 S \* 6/2001 Hettinger ..... D21/743  
D464,099 S \* 10/2002 Cole ..... D21/736  
D472,949 S \* 4/2003 Serrano ..... D21/736  
D476,047 S \* 6/2003 De La Cruz ..... D21/743  
D482,088 S \* 11/2003 DeLaCruz ..... D21/743  
D548,294 S \* 8/2007 Nguyen ..... D21/736  
D559,930 S \* 1/2008 Cameron ..... D21/746  
D569,929 S \* 5/2008 Robb ..... D21/744  
D590,462 S \* 4/2009 Hettinger ..... D21/743  
D596,683 S \* 7/2009 Hettinger ..... D21/746  
D599,423 S \* 9/2009 Serrano ..... D21/736  
D620,993 S \* 8/2010 Laub ..... D21/746

(Continued)

(21) Appl. No.: **29/654,367**  
(22) Filed: **Jun. 22, 2018**  
(51) **LOC (12) Cl.** ..... **21-02**  
(52) **U.S. Cl.**  
USPC ..... **D21/759**; D21/746  
(58) **Field of Classification Search**  
USPC ..... D21/736-746, 759  
CPC ..... A63B 53/00; A63B 53/04; A63B 53/007;  
A63B 53/065; A63B 53/0487; A63B  
60/00; A63B 60/46  
See application file for complete search history.

FOREIGN PATENT DOCUMENTS

JP 3030329 10/1996  
JP HD10015059 2/1998  
JP H04-005862 11/2007

Primary Examiner — Mitchell I. Siegel

(74) Attorney, Agent, or Firm — Randy K. Chang

(57) **CLAIM**

The ornamental design for a golf club head, as shown and described.

**DESCRIPTION**

FIG. 1 is a perspective view of a new golf club head design; FIG. 2 is a back side view thereof; FIG. 3 is a front side view thereof; FIG. 4 is a top side view thereof; FIG. 5 is a bottom sole side view thereof; FIG. 6 is a heel side view thereof; and, FIG. 7 is a toe side view thereof.

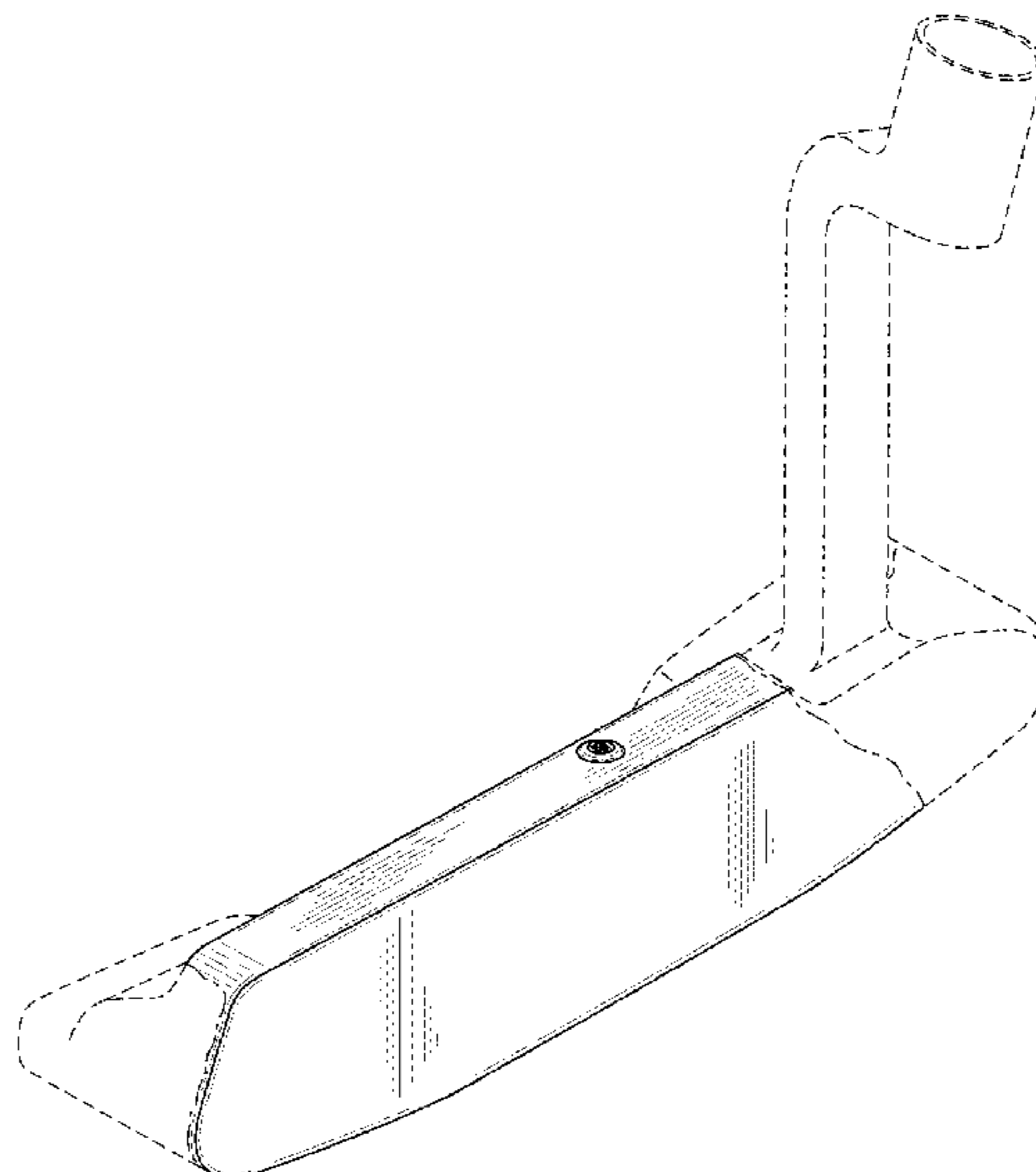
The broken lines representing the unclaimed portions of the golf club head and hosel are presented here for the purpose of illustration, and form no part of the design. The dash-dot broken lines on the drawings are representative of boundary lines and form no part of the claimed design.

**1 Claim, 5 Drawing Sheets**

(56) **References Cited**

U.S. PATENT DOCUMENTS

D291,106 S \* 7/1987 Antonious ..... D21/740  
D293,809 S \* 1/1988 Antonious ..... D21/740  
D294,514 S \* 3/1988 Antonious ..... D21/740  
D320,830 S \* 10/1991 Antonious ..... D21/742  
D321,738 S \* 11/1991 Brown ..... D21/743  
D324,895 S \* 3/1992 Antonious ..... D21/742  
D325,237 S \* 4/1992 Antonious ..... D21/740  
D325,413 S \* 4/1992 Antonious ..... D21/739  
D326,131 S \* 5/1992 Antonious ..... D21/742  
D371,180 S \* 6/1996 Grace ..... D21/742  
D380,515 S \* 7/1997 Fabbri, Jr. .... D21/745  
D389,207 S \* 1/1998 Cameron ..... D21/742  
D396,080 S \* 7/1998 Bottema ..... D21/736  
D402,721 S \* 12/1998 Gurrola ..... D21/742



(56)

## References Cited

## U.S. PATENT DOCUMENTS

D638,892	S	*	5/2011	Hettinger	.....	D21/743
D643,893	S	*	8/2011	Rollinson	.....	D21/742
D648,407	S	*	11/2011	Teramoto	.....	D21/743
D650,456	S	*	12/2011	Tang	.....	D21/743
D650,458	S	*	12/2011	Rollinson	.....	D21/744
D666,260	S	*	8/2012	Cynn	.....	D21/742
D684,643	S	*	6/2013	Kim	.....	D21/744
D688,339	S	*	8/2013	Hilton	.....	D21/736
D688,762	S	*	8/2013	Hilton	.....	D21/736
D689,574	S	*	9/2013	Rollinson	.....	D21/743
D690,378	S	*	9/2013	Rollinson	.....	D21/743
D691,225	S	*	10/2013	Hilton	.....	D21/736
D711,483	S	*	8/2014	Wong	.....	D21/743
D733,817	S	*	7/2015	Jorgensen	.....	D21/736
D733,818	S	*	7/2015	Jorgensen	.....	D21/736
D735,283	S	*	7/2015	Solheim	.....	D21/743
D741,426	S	*	10/2015	Schweigert	.....	D21/736
D769,383	S	*	10/2016	Abbott	.....	D21/743
D774,151	S	*	12/2016	Serrano	.....	D21/743
D779,606	S	*	2/2017	Becktor	.....	D21/742
D784,468	S	*	4/2017	Rollinson	.....	D21/743
D790,013	S	*	6/2017	Clarke	.....	D21/743
D792,537	S	*	7/2017	Clarke	.....	D21/744
D793,501	S	*	8/2017	Cynn	.....	D21/735
D796,597	S	*	9/2017	Serrano	.....	D21/736
D802,067	S	*	11/2017	Solheim	.....	D21/736
D813,963	S	*	3/2018	Lapuz	.....	D21/742
D820,926	S	*	6/2018	Becktor	.....	D21/742
D825,698	S	*	8/2018	Serrano	.....	D21/743
D832,379	S	*	10/2018	Jertson	.....	D21/736
D837,315	S	*	1/2019	Rollinson	.....	D21/743
D837,912	S	*	1/2019	Clarke	.....	D21/736

\* cited by examiner

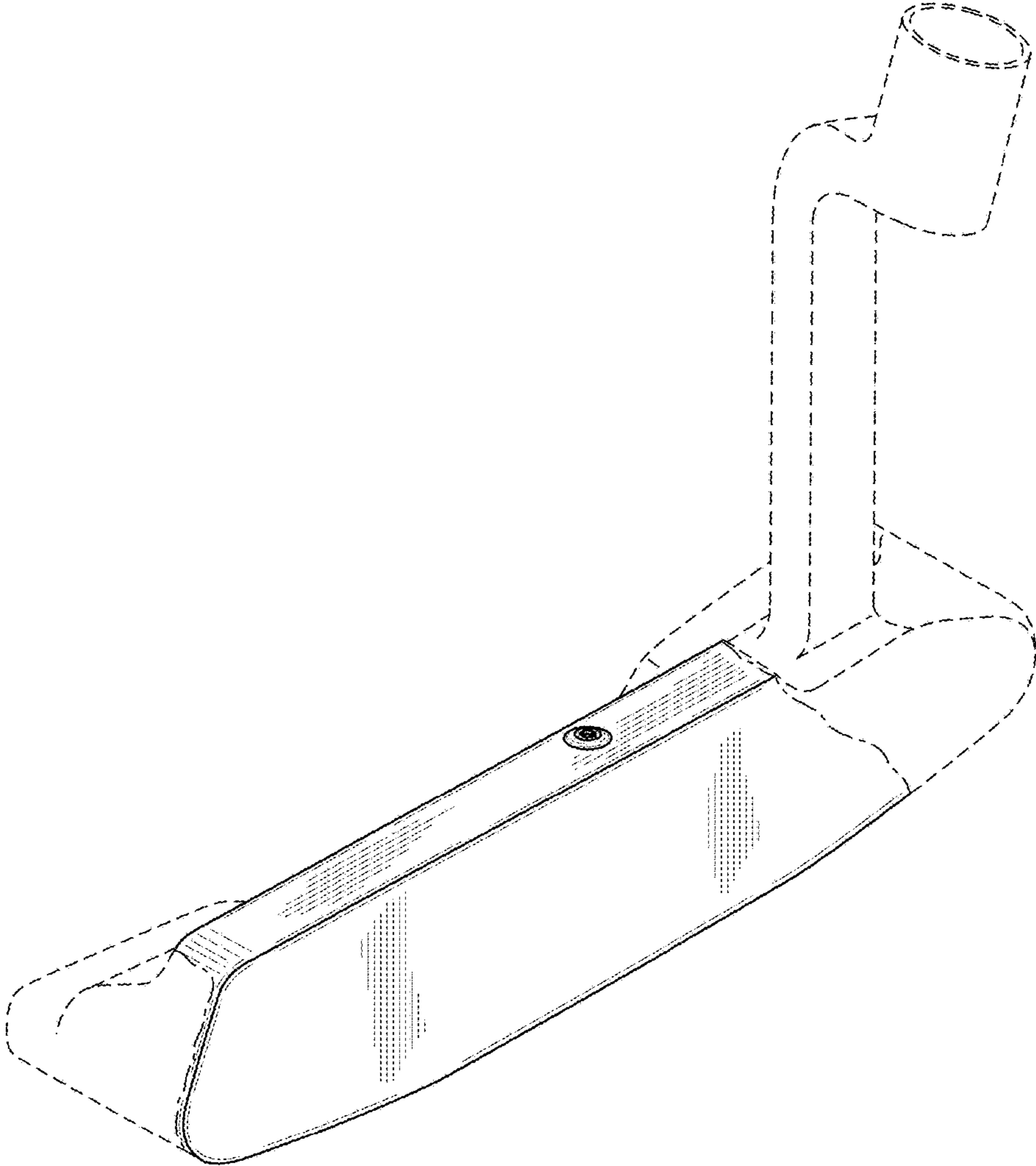


FIG. 1

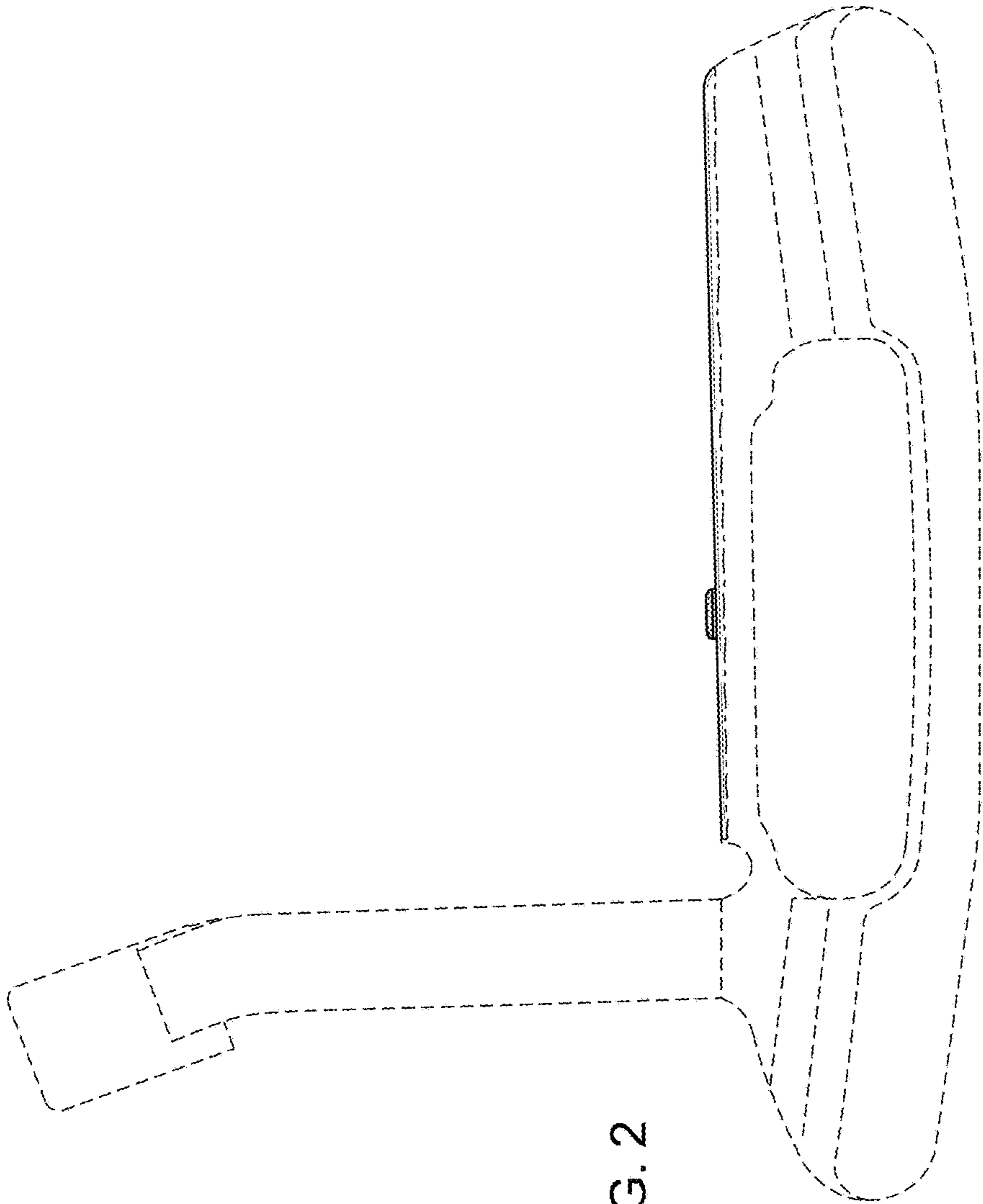
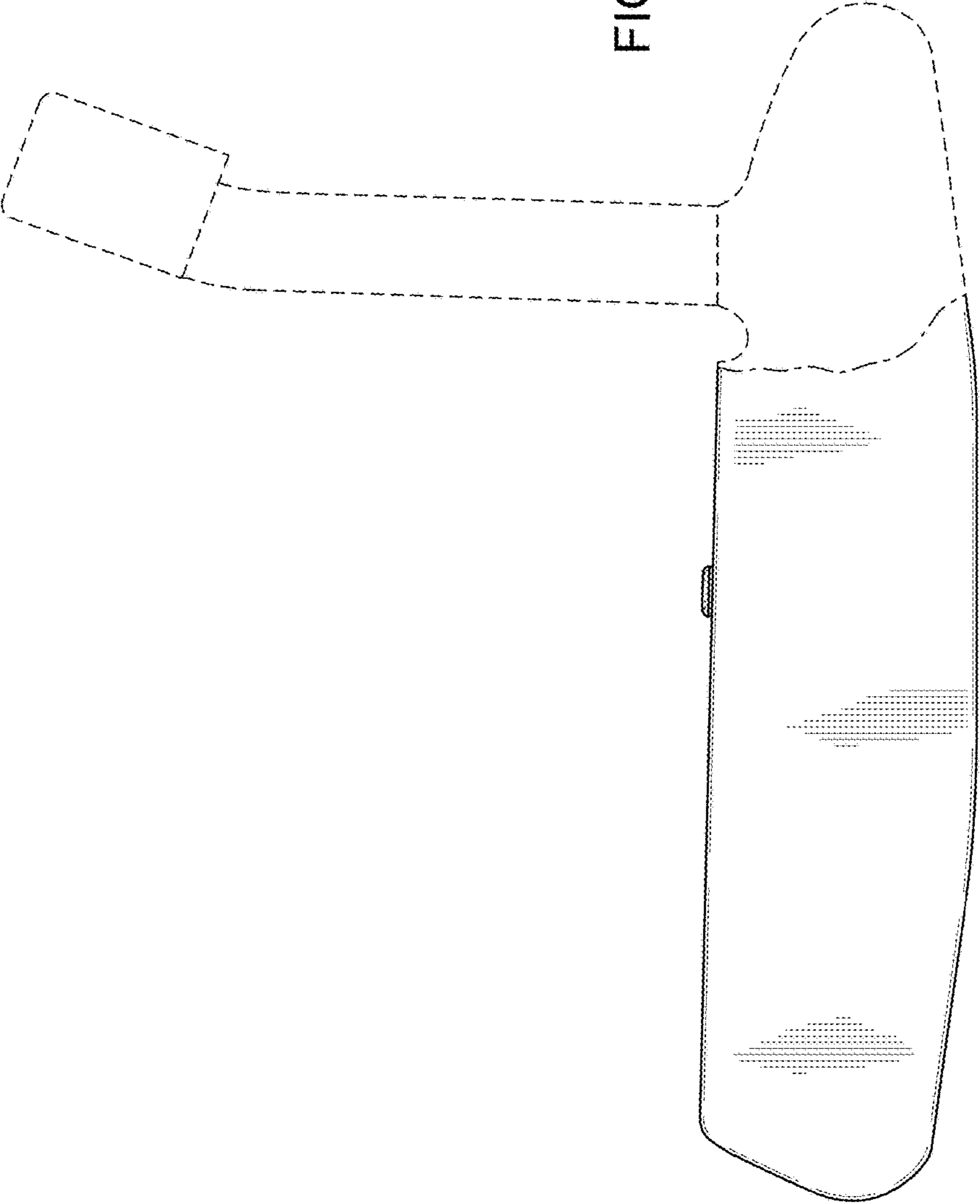


FIG. 2

FIG. 3



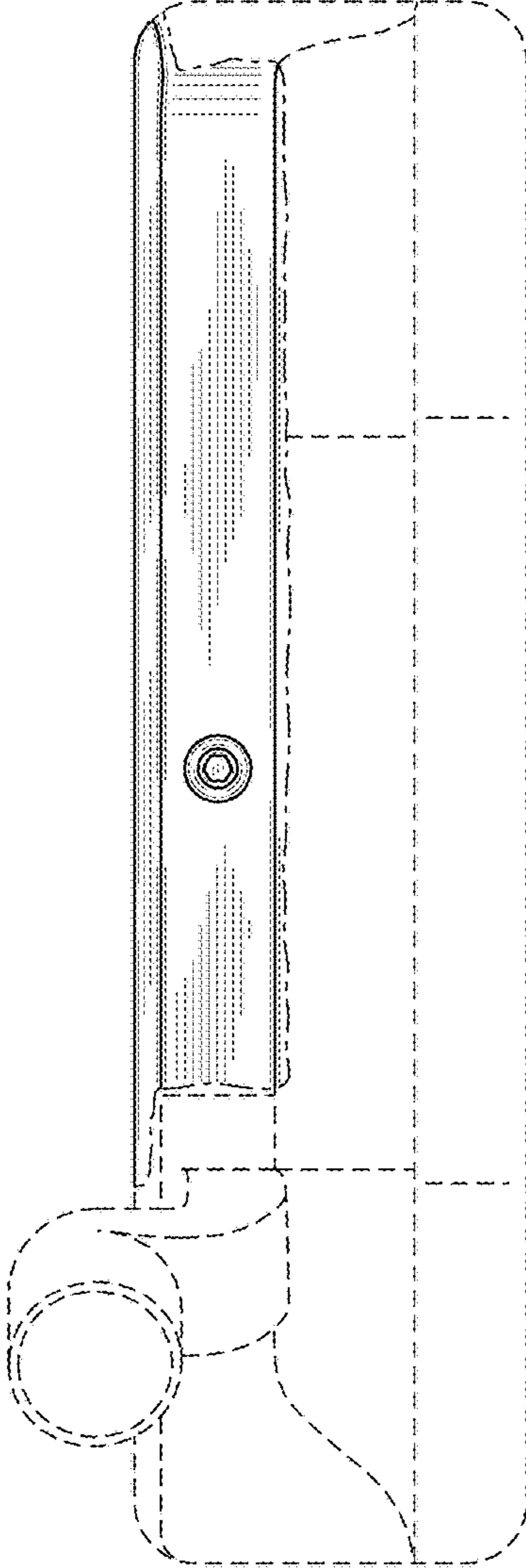


FIG. 4

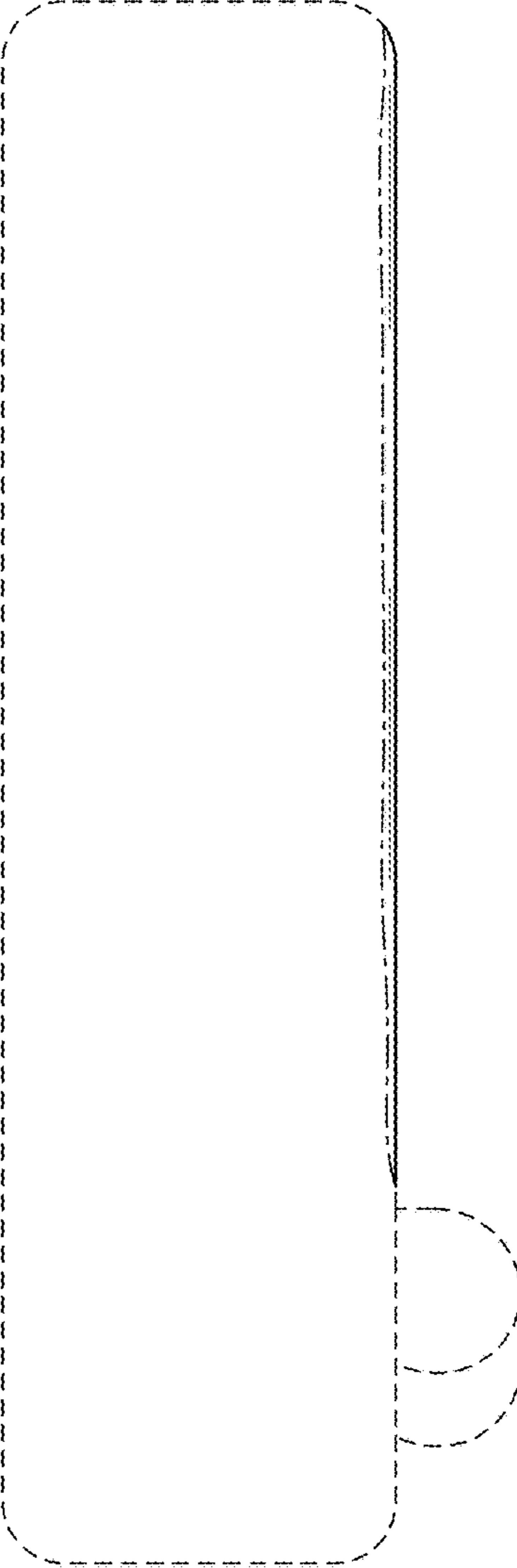


FIG. 5



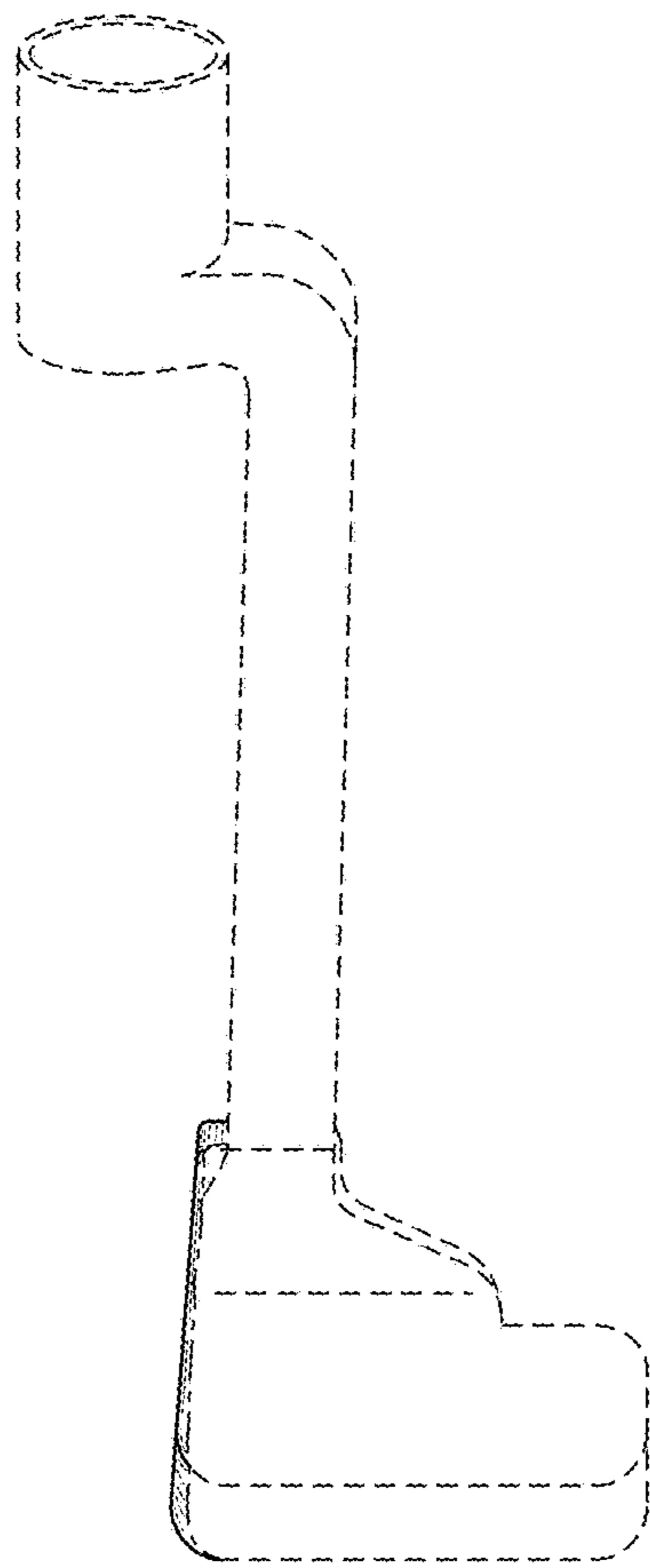


FIG. 6

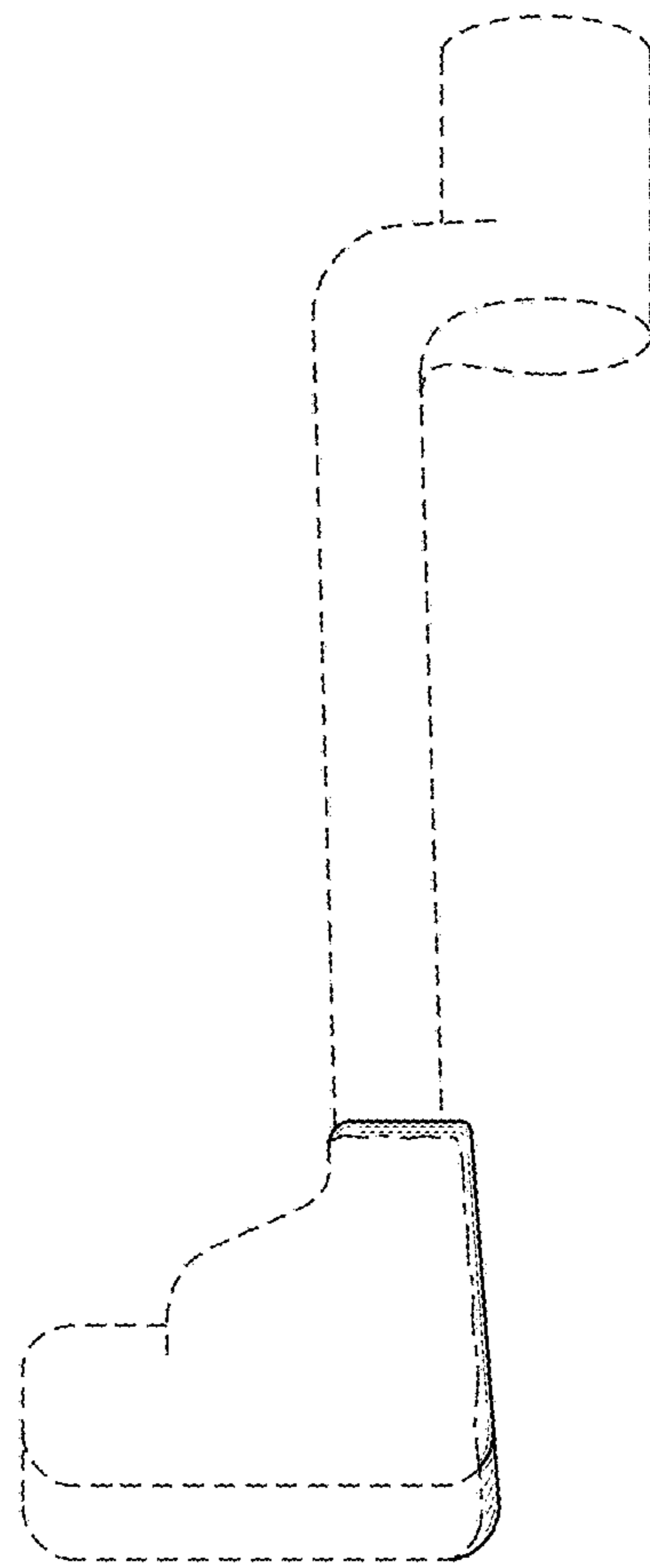


FIG. 7