



US00D861092S

(12) **United States Design Patent**  
**Glorioso et al.**

(10) **Patent No.:** **US D861,092 S**

(45) **Date of Patent:** **\*\* Sep. 24, 2019**

(54) **PUTTER HEAD**

(71) Applicant: **Callaway Golf Company**, Carlsbad,  
CA (US)

(72) Inventors: **Gioacchino S. Glorioso**, Valley Center,  
CA (US); **Philip G. Foster**, Carlsbad,  
CA (US)

(73) Assignee: **Callaway Golf Company**, Carlsbad,  
CA (US)

(\*\*) Term: **15 Years**

(21) Appl. No.: **29/661,451**

(22) Filed: **Aug. 28, 2018**

(51) **LOC (12) Cl.** ..... **21-02**

(52) **U.S. Cl.**  
USPC ..... **D21/743**

(58) **Field of Classification Search**  
USPC ..... D21/736-746, 759  
CPC ..... A63B 53/00; A63B 53/04; A63B 53/007;  
A63B 53/065; A63B 53/0487; A63B  
60/00; A63B 60/46  
See application file for complete search history.

(56) **References Cited**

**U.S. PATENT DOCUMENTS**

5,685,784 A \* 11/1997 Butler ..... A63B 53/0487  
473/255  
D653,718 S \* 2/2012 Stokke ..... D21/743

D664,617 S \* 7/2012 Serrano ..... D21/743  
D715,388 S \* 10/2014 Serrano ..... D21/743  
D723,641 S \* 3/2015 Serrano ..... D21/743  
D754,805 S \* 4/2016 Serrano ..... D21/743  
D774,607 S \* 12/2016 Serrano ..... D21/743  
D774,610 S \* 12/2016 Serrano ..... D21/744  
D793,502 S \* 8/2017 Cardani ..... D21/743  
D827,064 S \* 8/2018 Wypych ..... D21/743  
D832,950 S \* 11/2018 Serrano ..... D21/746  
D840,482 S \* 2/2019 Serrano ..... D21/736

\* cited by examiner

*Primary Examiner* — Mitchell I. Siegel

(74) *Attorney, Agent, or Firm* — Rebecca Hanovice;  
Michael Catania; Sonia Lari

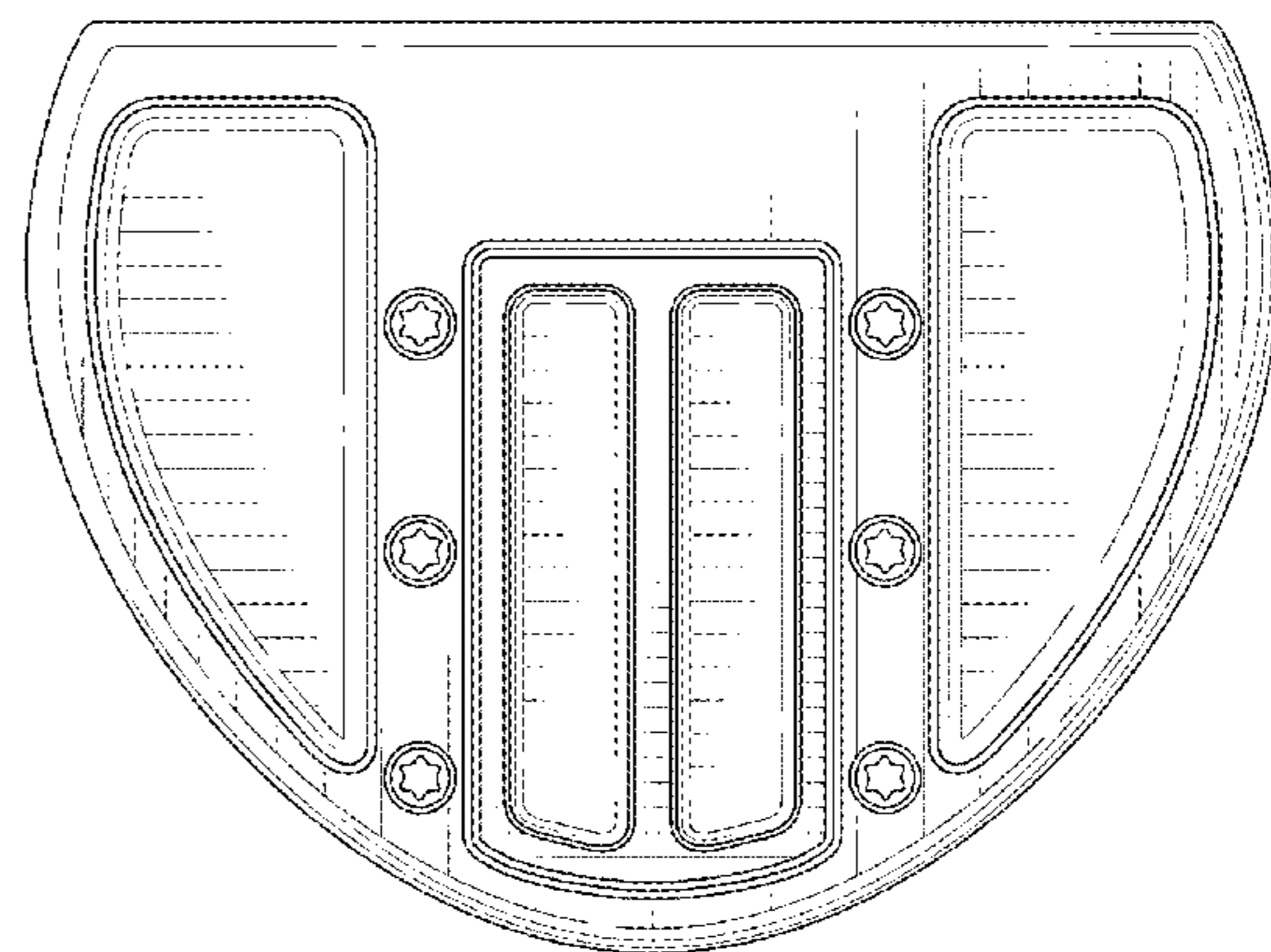
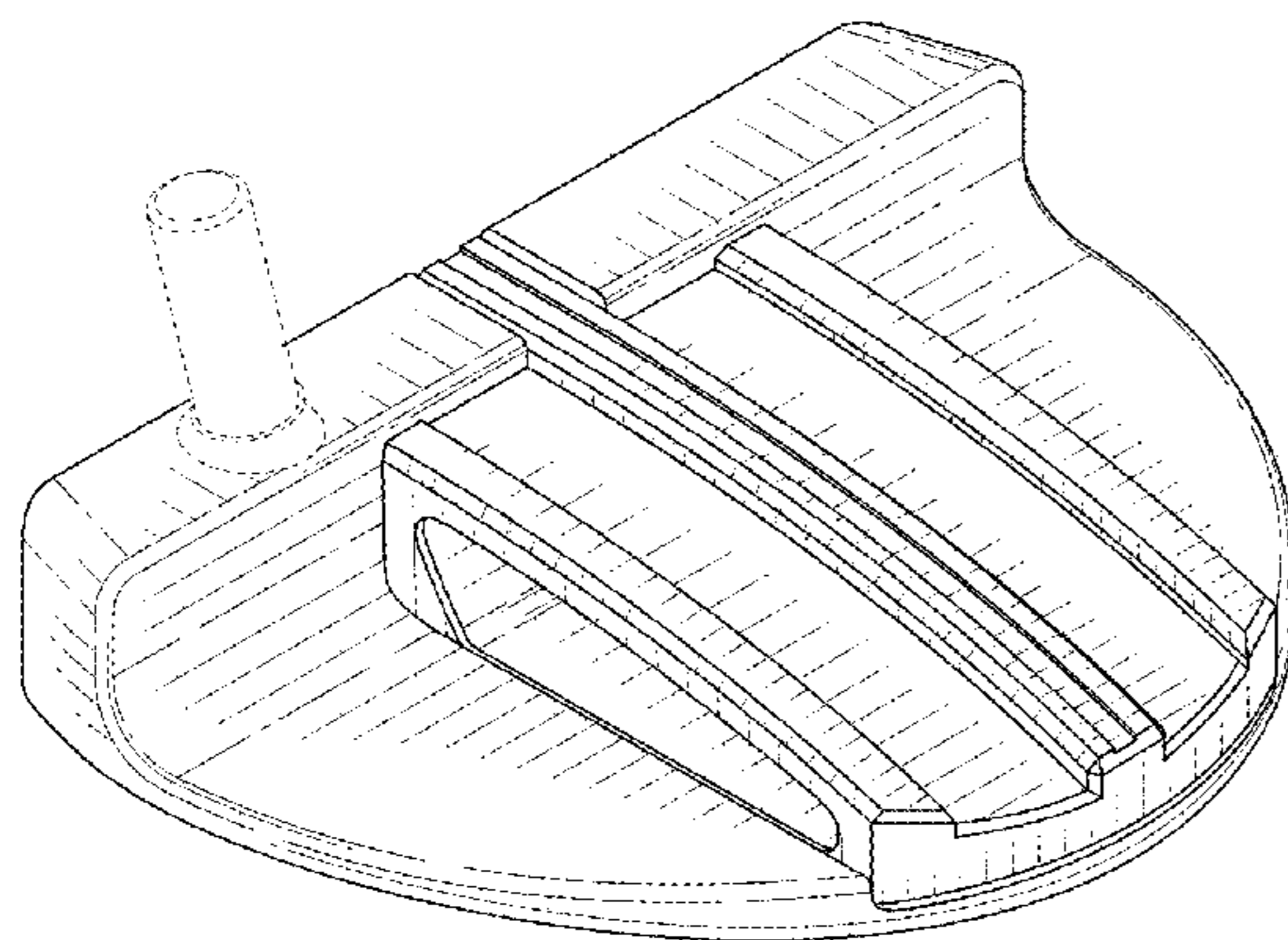
(57) **CLAIM**

The ornamental design for a putter head, as shown and described.

**DESCRIPTION**

FIG. 1 is a rear perspective view of the putter head claimed herein;  
FIG. 2 is a front elevational view thereof;  
FIG. 3 is a rear elevational view thereof;  
FIG. 4 is a left side elevational view thereof;  
FIG. 5 is a right side elevational view thereof;  
FIG. 6 is a top plan view thereof; and,  
FIG. 7 is a bottom plan view thereof.  
The broken lines shown are included for the purpose of illustrating unclaimed subject matter and form no part of the claimed design.

**1 Claim, 4 Drawing Sheets**



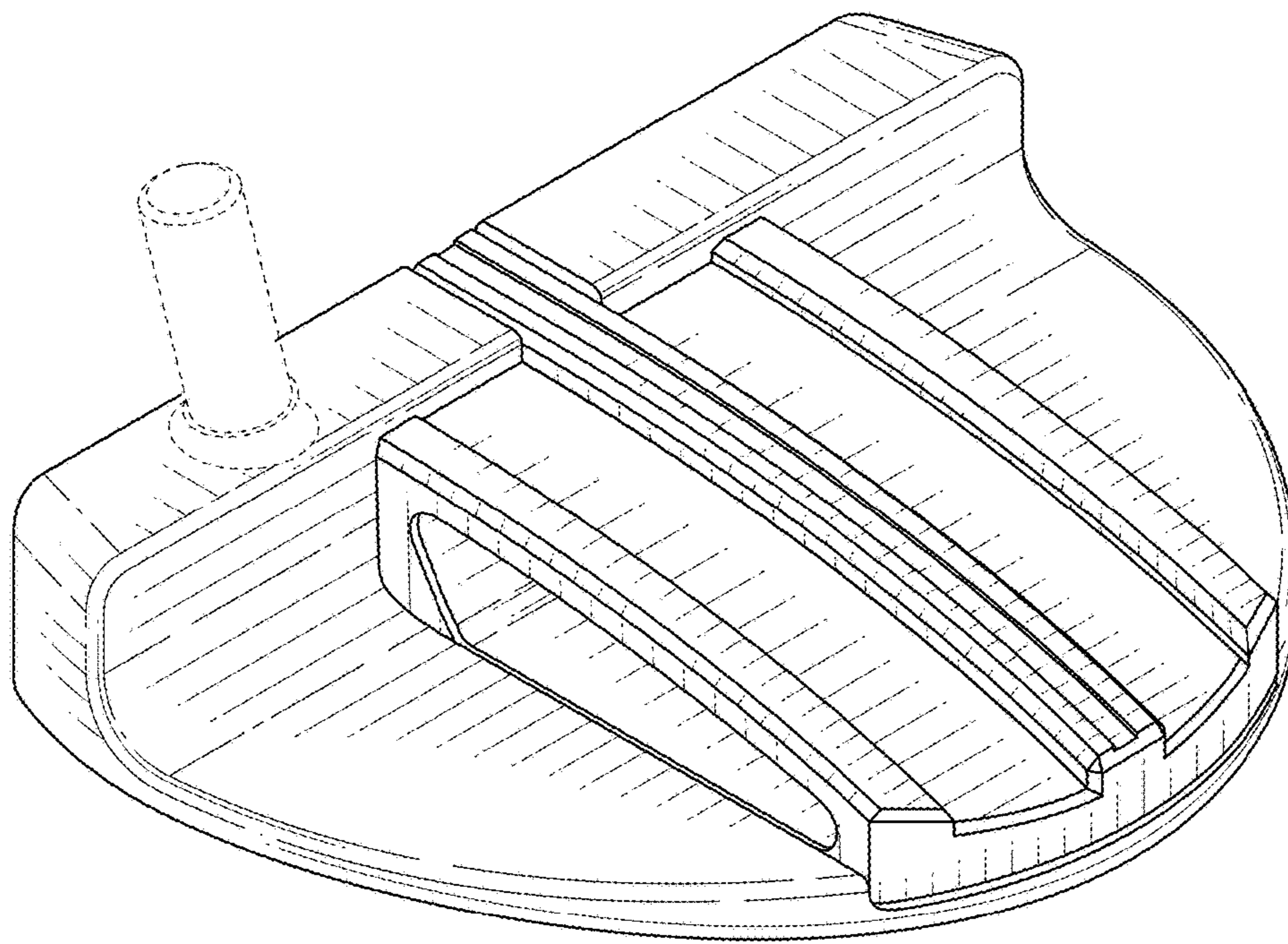


FIG. 1

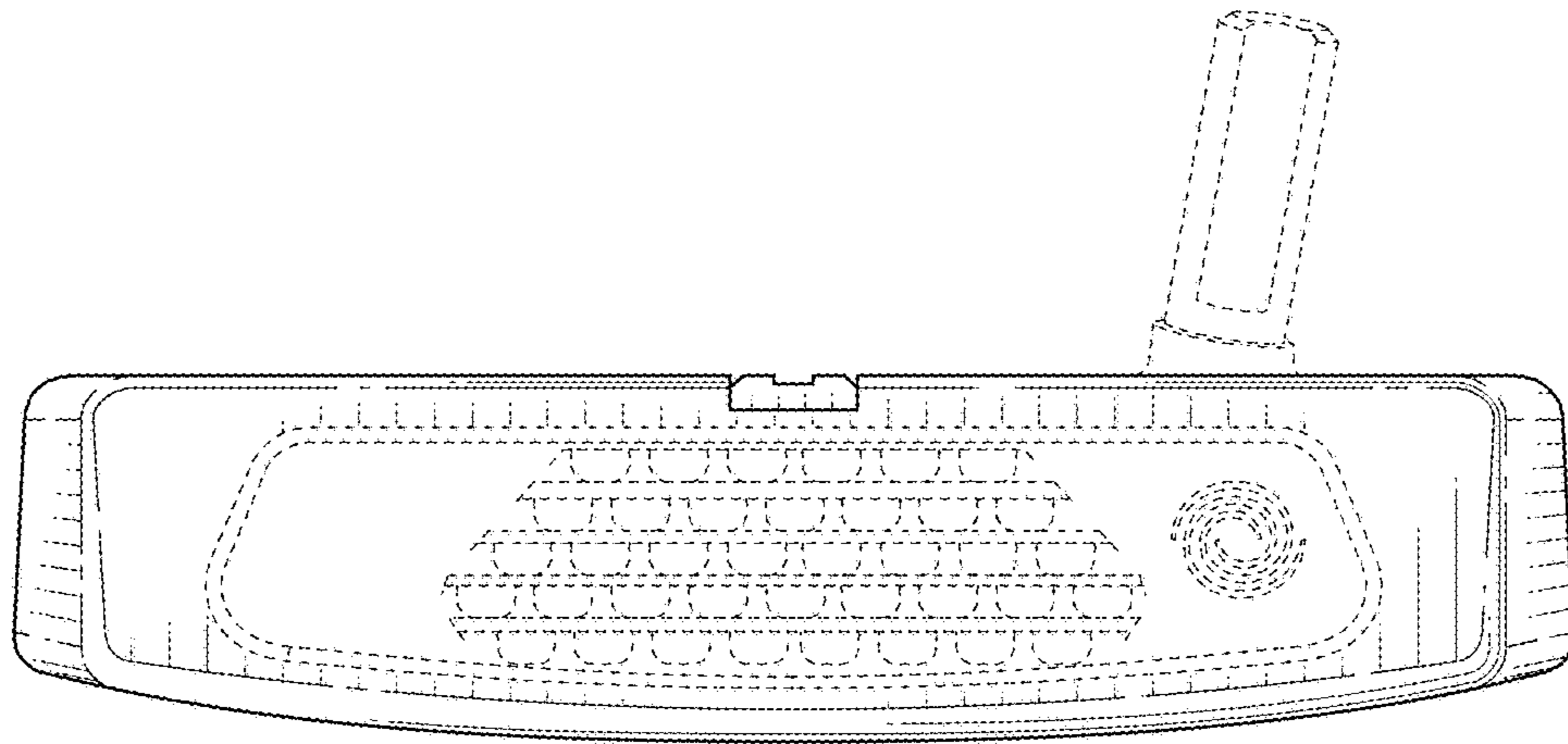


FIG. 2

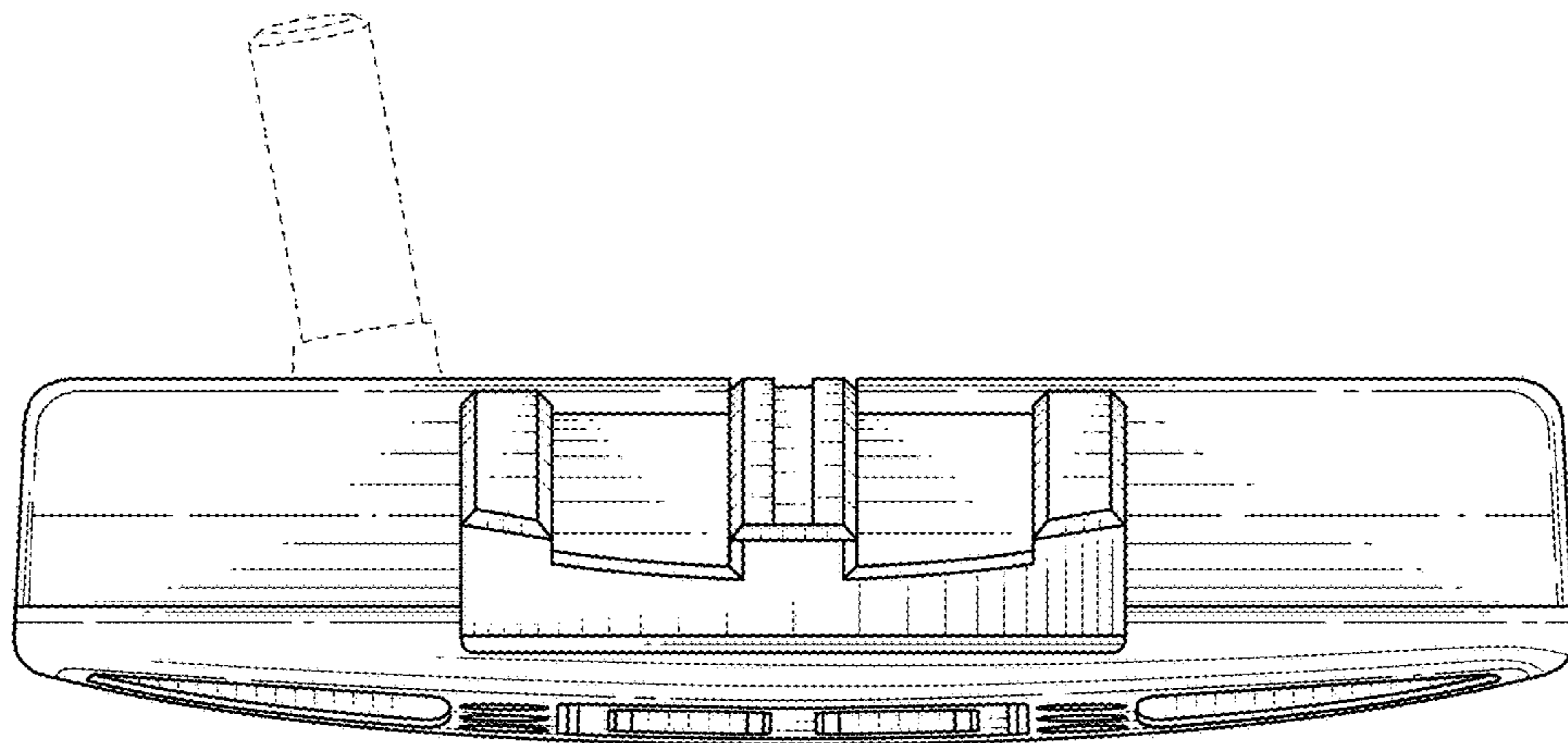


FIG. 3

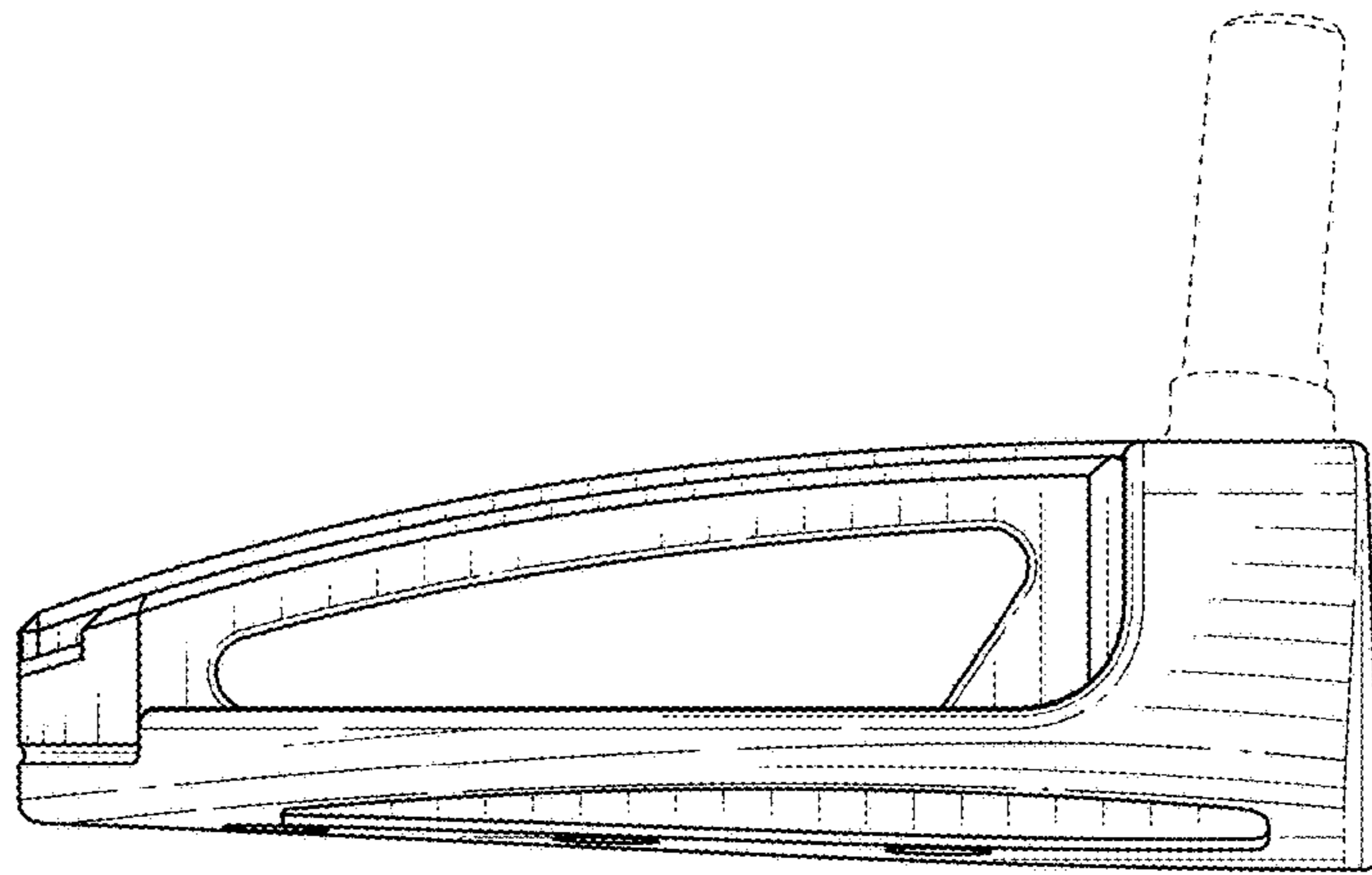


FIG. 4

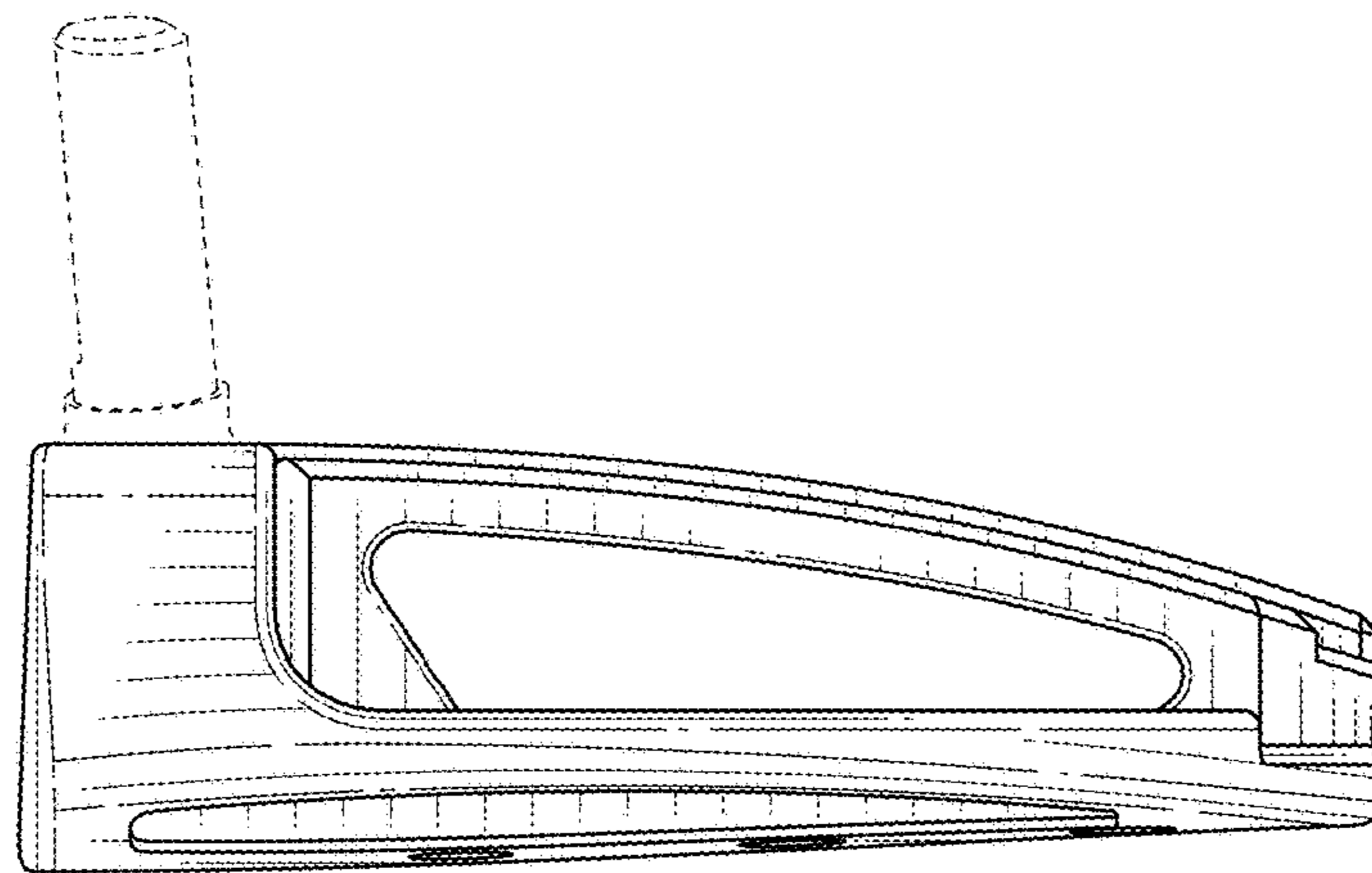


FIG. 5

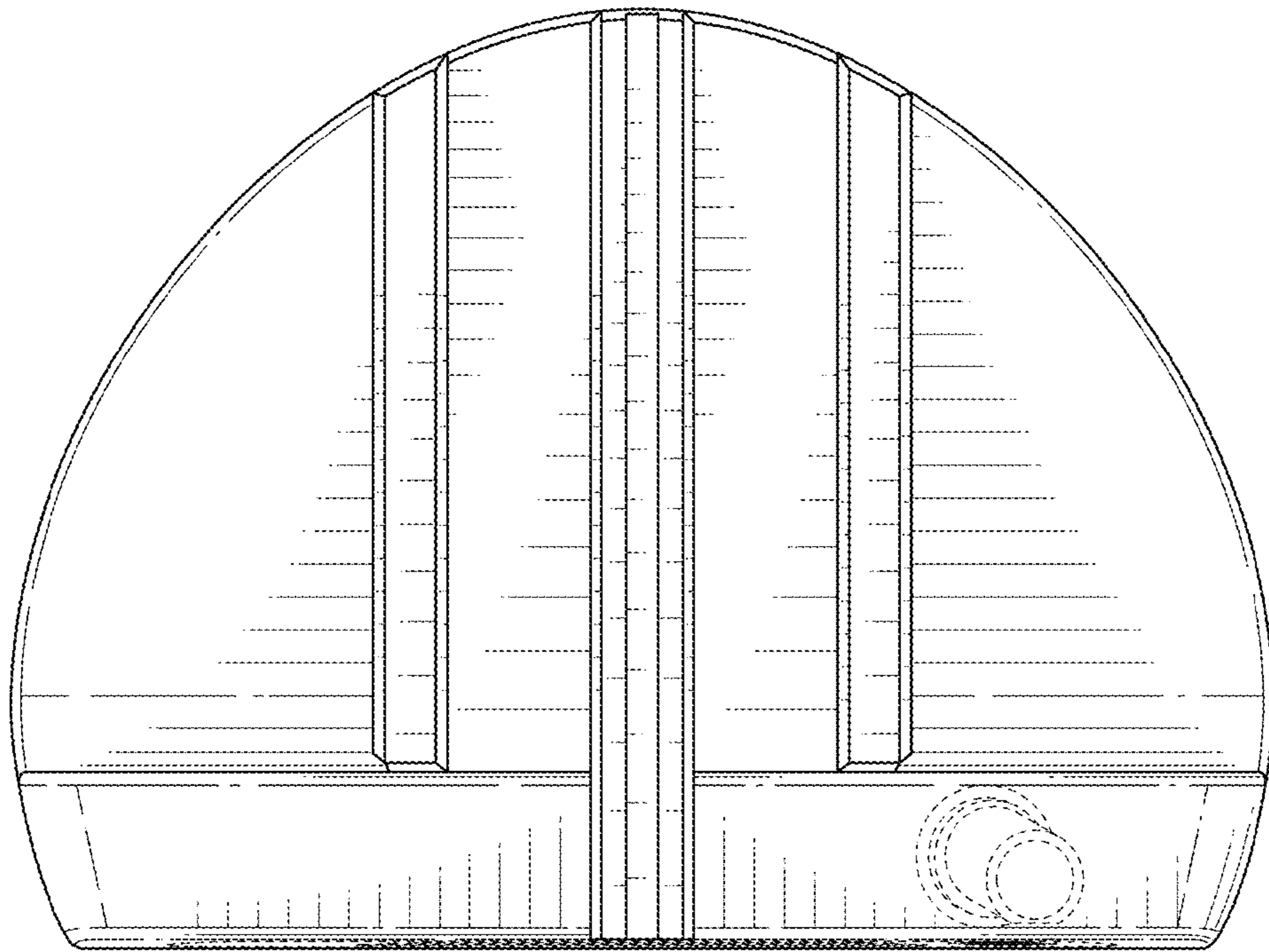


FIG. 6

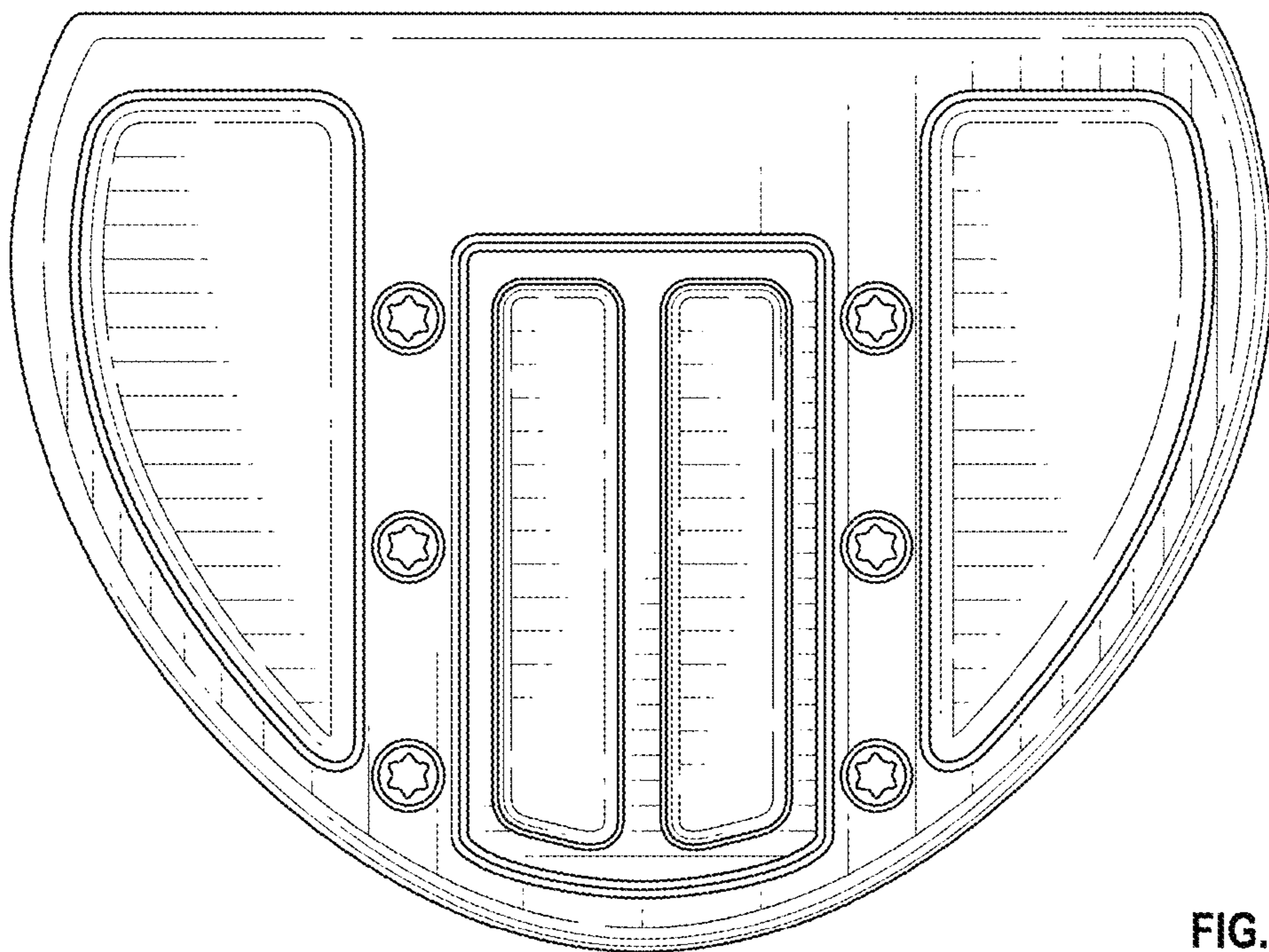


FIG. 7