



US00D861091S

(12) **United States Design Patent**
Glorioso et al.

(10) **Patent No.:** **US D861,091 S**

(45) **Date of Patent:** **** Sep. 24, 2019**

(54) **PUTTER HEAD**

(71) Applicant: **Callaway Golf Company**, Carlsbad,
CA (US)

(72) Inventors: **Gioacchino S. Glorioso**, Valley Center,
CA (US); **Philip G. Foster**, Carlsbad,
CA (US)

(73) Assignee: **Callaway Golf Company**, Carlsbad,
CA (US)

(**) Term: **15 Years**

(21) Appl. No.: **29/661,445**

(22) Filed: **Aug. 28, 2018**

(51) **LOC (12) Cl.** **21-02**

(52) **U.S. Cl.**
USPC **D21/743**

(58) **Field of Classification Search**
USPC D21/736-746, 759
CPC A63B 53/00; A63B 53/04; A63B 53/007;
A63B 53/065; A63B 53/0487; A63B
60/00; A63B 60/46
See application file for complete search history.

(56) **References Cited**

U.S. PATENT DOCUMENTS

5,700,207	A	*	12/1997	Guthrie	A63B 53/0487	473/313
D509,273	S	*	9/2005	Morris	D21/742	
D528,177	S	*	9/2006	Grace	D21/743	
D528,616	S	*	9/2006	Grace	D21/743	
D529,109	S	*	9/2006	Jones	D21/743	
D600,759	S	*	9/2009	Cokewell	D21/736	

D606,140	S	*	12/2009	Ramsauer	D21/743	
D606,141	S	*	12/2009	Ramsauer	D21/743	
D606,142	S	*	12/2009	Ramsauer	D21/743	
D627,840	S	*	11/2010	Cameron	D21/736	
D638,891	S	*	5/2011	Nicolette	D21/736	
D701,928	S	*	4/2014	Cameron	D21/736	
D720,410	S	*	12/2014	Brandt	D21/736	
D783,745	S	*	4/2017	Chen	D21/743	
D791,254	S	*	7/2017	Ramsauer	D21/744	
D809,616	S	*	2/2018	Toulon	D21/736	
D824,462	S	*	7/2018	Bruschi	D21/736	
D837,911	S	*	1/2019	Bruschi	D21/736	
D844,085	S	*	3/2019	Nicolette	D21/743	
D844,723	S	*	4/2019	Nicolette	D21/743	

* cited by examiner

Primary Examiner — Mitchell I. Siegel

(74) *Attorney, Agent, or Firm* — Rebecca Hanovice;
Michael Catania; Sonia Lari

(57) **CLAIM**

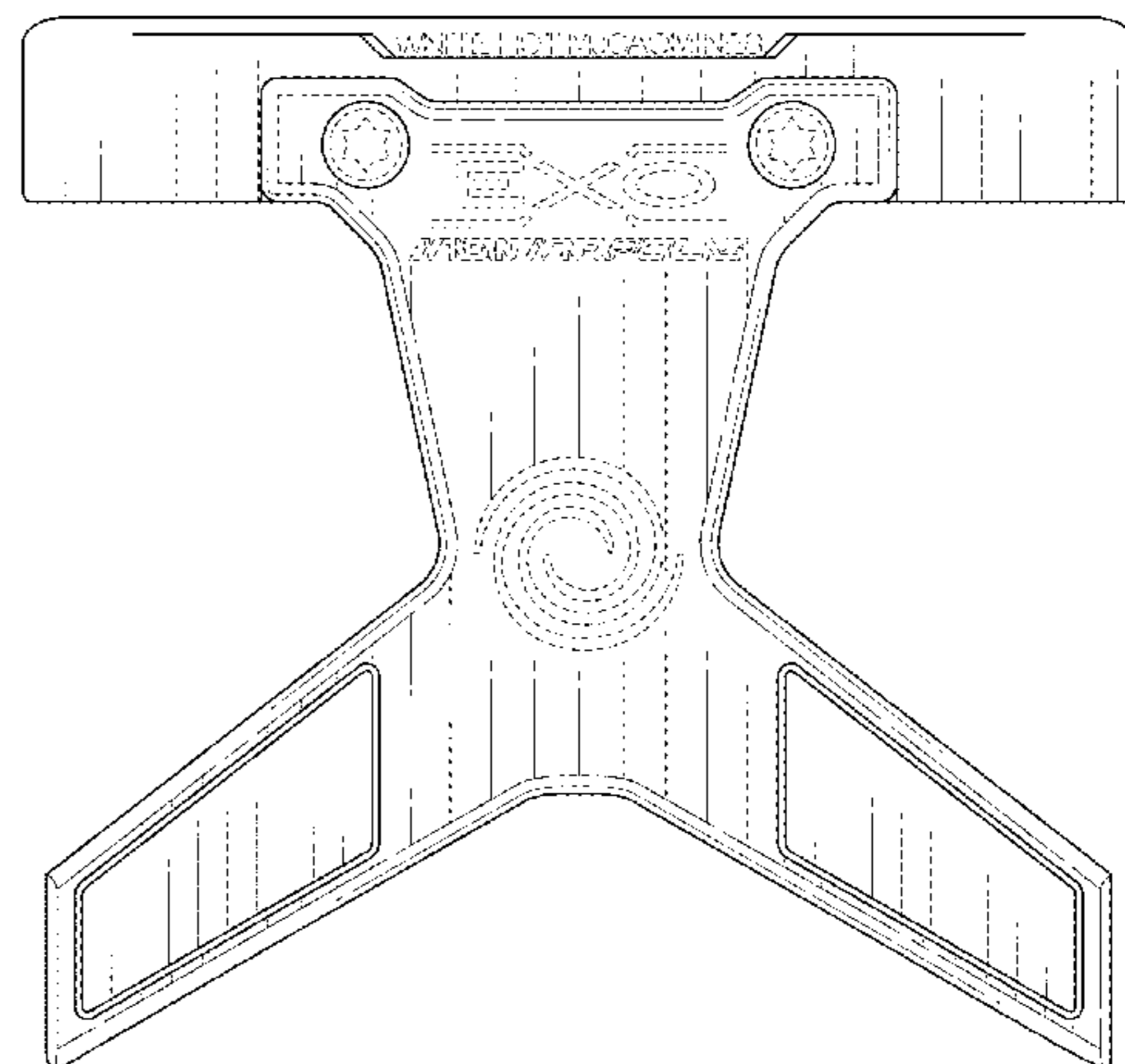
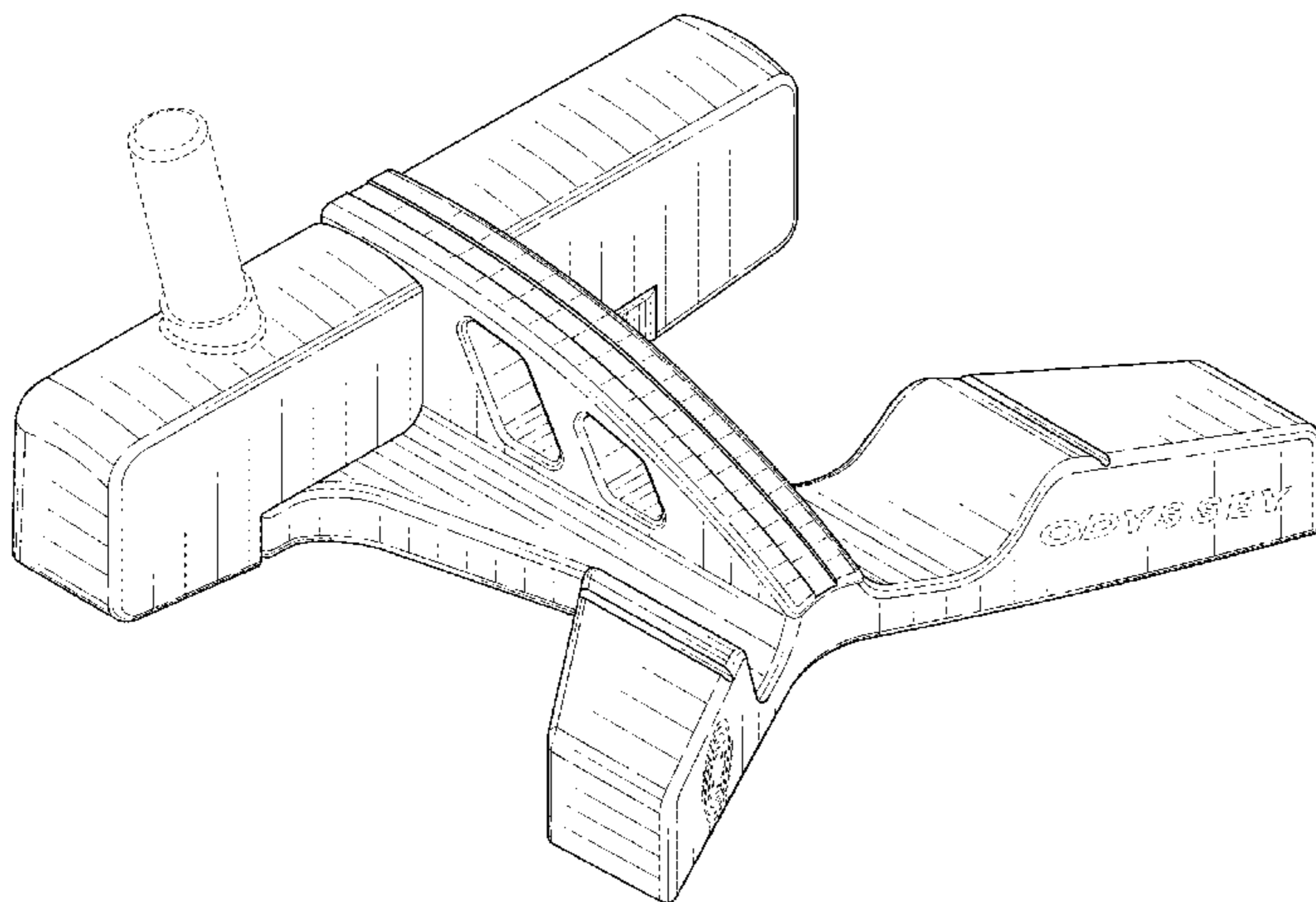
The ornamental design for a putter head, as shown and described.

DESCRIPTION

FIG. 1 is a rear perspective view of the putter head claimed herein;
FIG. 2 is a front elevational view thereof;
FIG. 3 is a rear elevational view thereof;
FIG. 4 is a left side elevational view thereof;
FIG. 5 is a right side elevational view thereof;
FIG. 6 is a top plan view thereof; and,
FIG. 7 is a bottom plan view thereof.

The broken lines shown are included for the purpose of illustrating unclaimed subject matter and form no part of the claimed design.

1 Claim, 5 Drawing Sheets



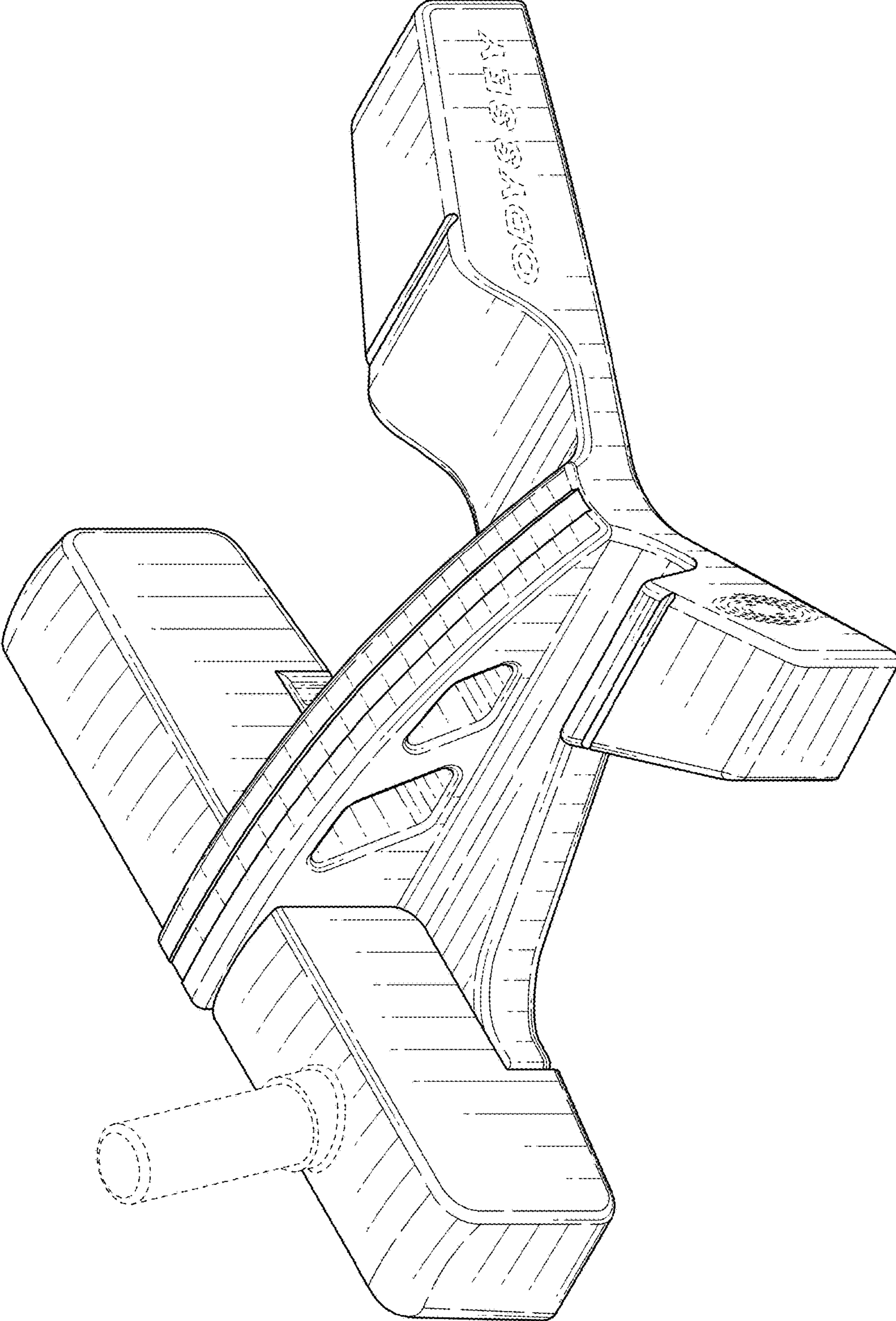


FIG. 1

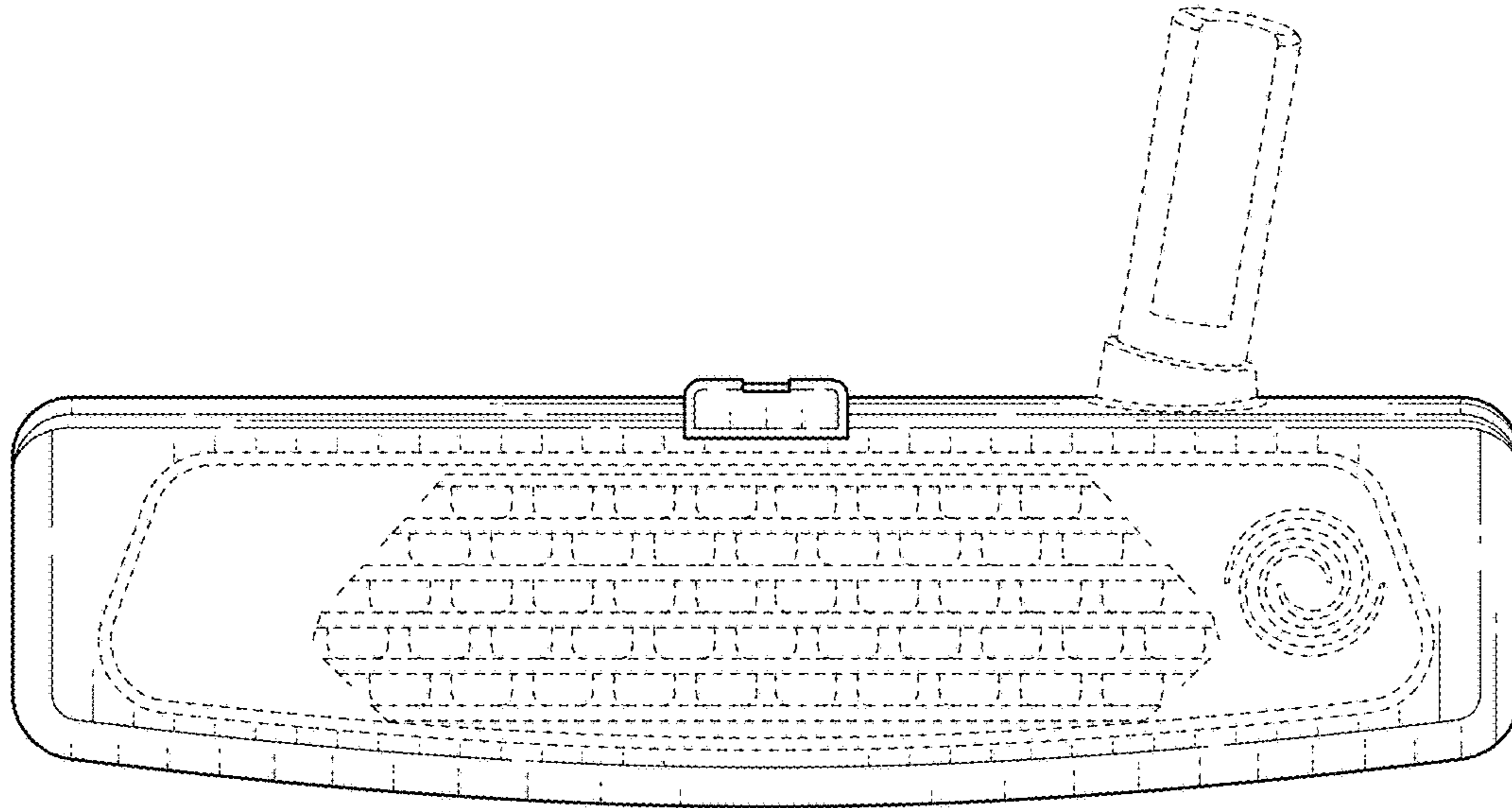


FIG. 2

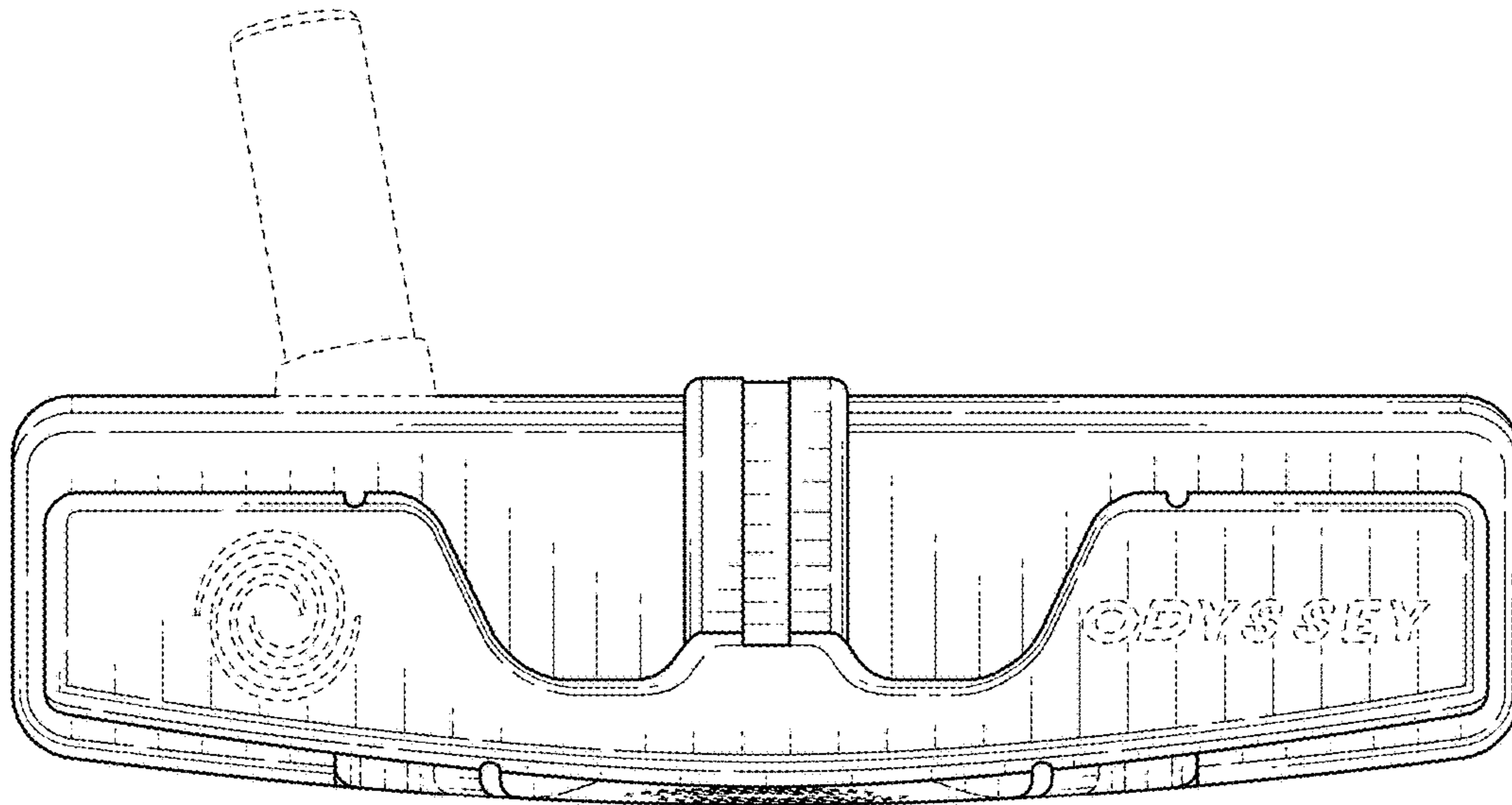


FIG. 3

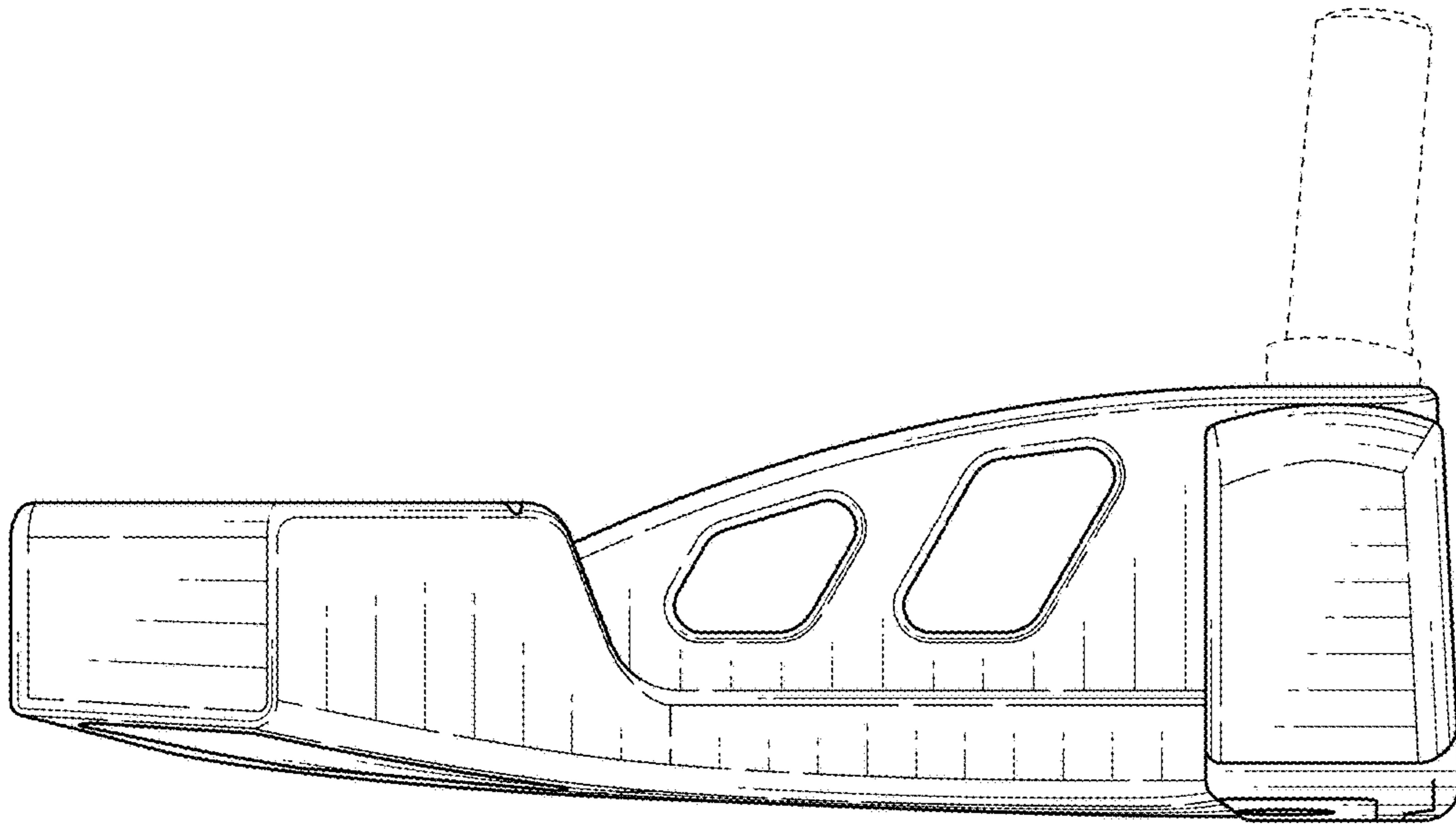


FIG. 4

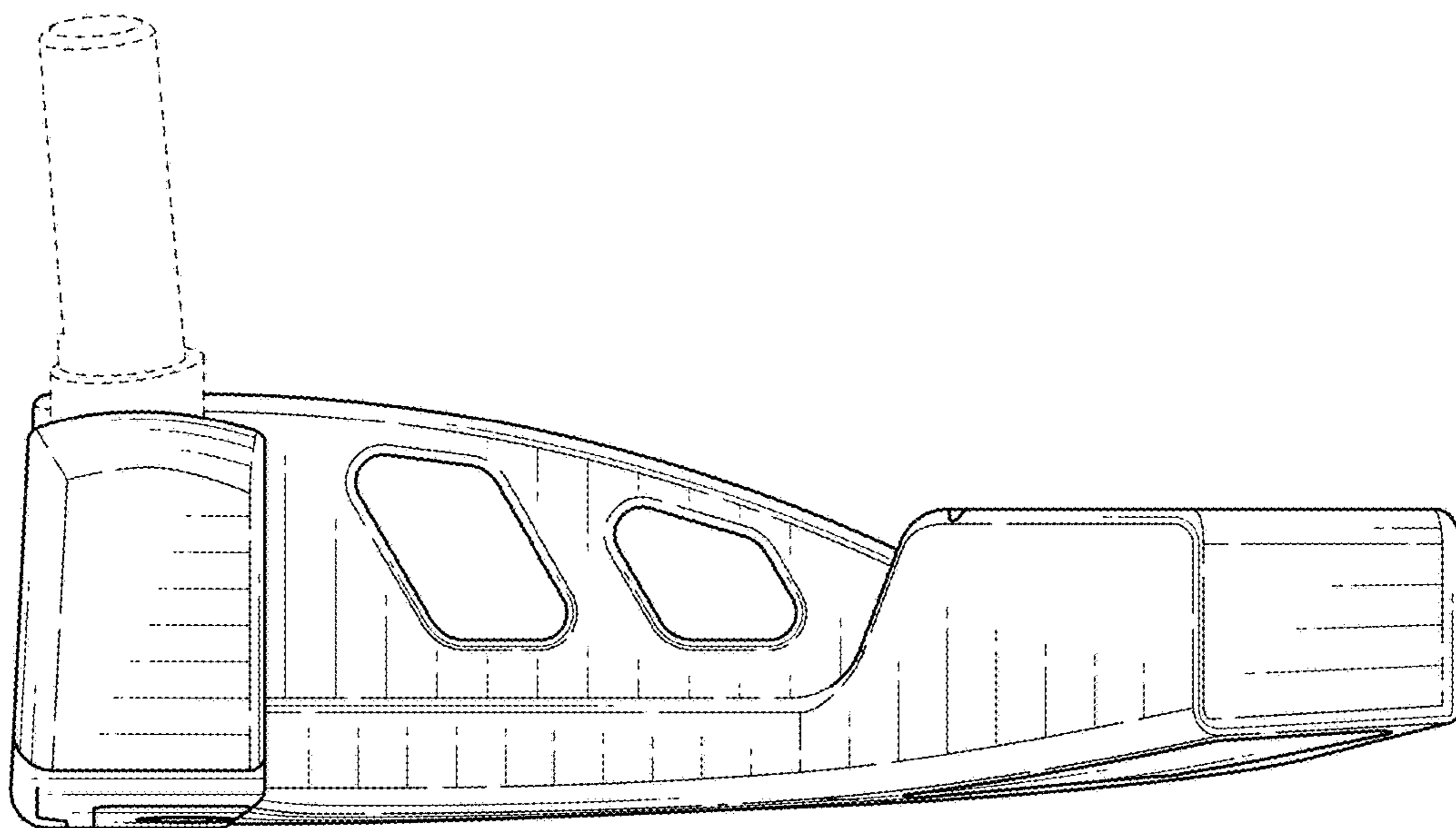


FIG. 5

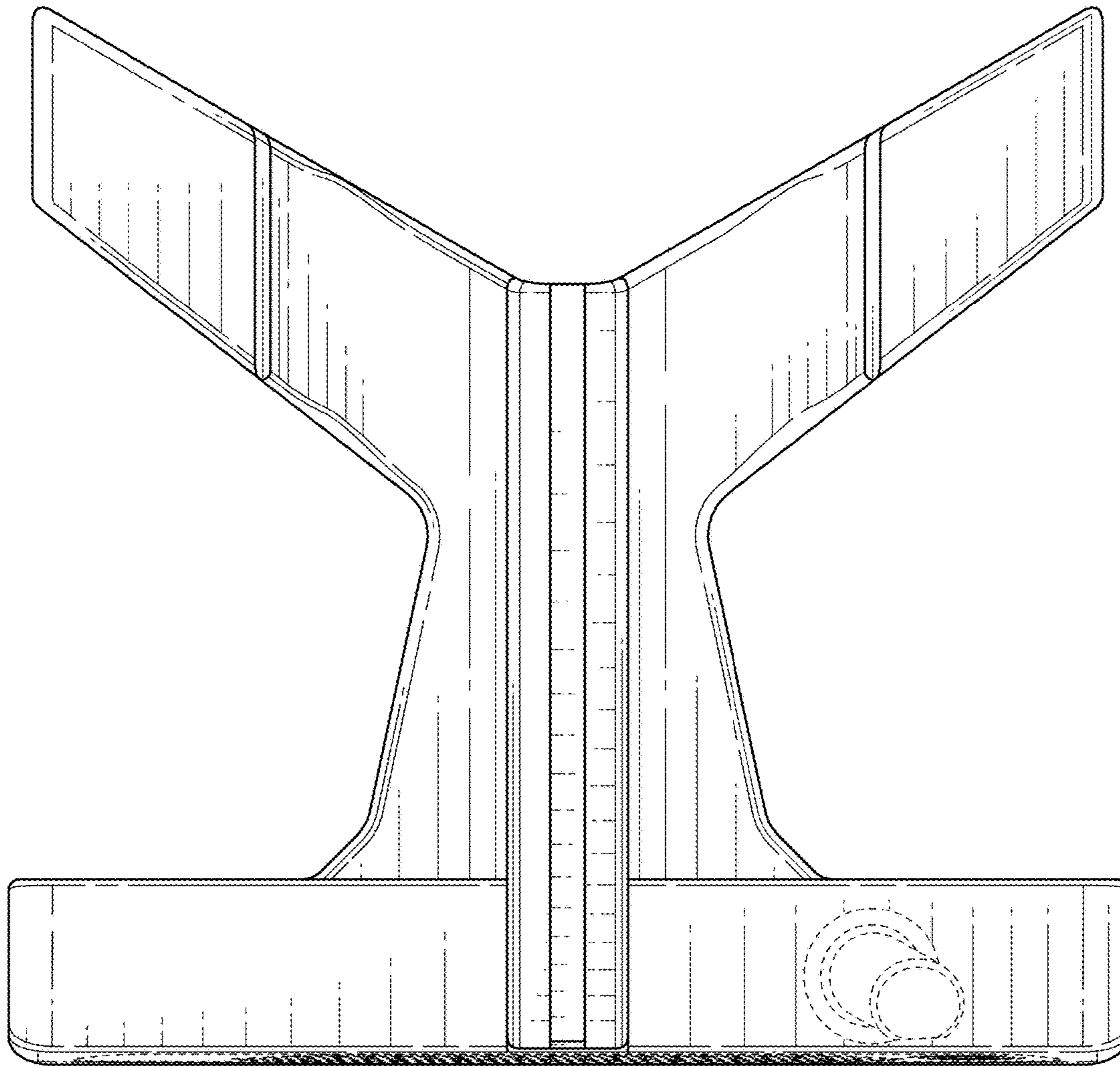


FIG. 6

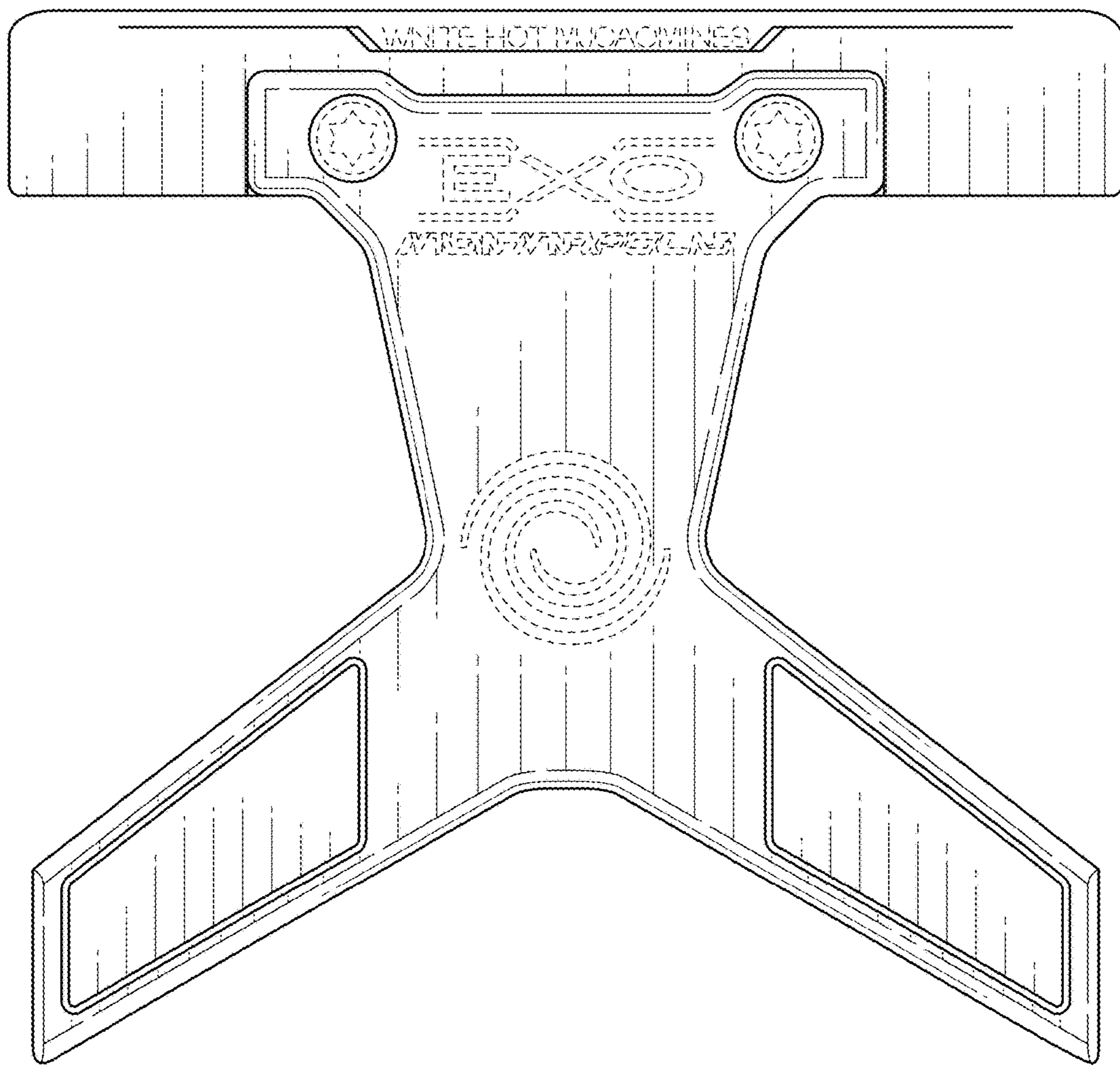


FIG. 7