



US00D861090S

(12) **United States Design Patent**
Colman

(10) **Patent No.:** **US D861,090 S**

(45) **Date of Patent:** **** Sep. 24, 2019**

(54) **MONKEY FACE SWING**

9,067,146 B1 * 6/2015 Cordray A63G 9/12
D746,622 S * 1/2016 O'Brien D21/823
9,440,154 B1 * 9/2016 Cordray A63G 9/12

(71) Applicant: **Ari Colman**, New York, NY (US)

(72) Inventor: **Ari Colman**, New York, NY (US)

(**) Term: **15 Years**

(21) Appl. No.: **29/659,610**

(22) Filed: **Aug. 10, 2018**

(51) **LOC (12) Cl.** **21-03**

(52) **U.S. Cl.**
USPC **D21/725**

(58) **Field of Classification Search**
USPC D21/811, 814, 823–825, 831
CPC A63G 9/00–9/22
See application file for complete search history.

(56) **References Cited**

U.S. PATENT DOCUMENTS

3,130,969	A *	4/1964	Groth	A63G 9/02 297/273
D215,105	S *	9/1969	Cohn	D21/823
3,937,463	A *	2/1976	Soisson	A63G 9/00 472/118
D272,260	S *	1/1984	Budde	D21/825
D273,967	S *	5/1984	Budde	D21/825
D274,285	S *	6/1984	Budde	D21/825
D274,286	S *	6/1984	Budde	D21/825
D274,347	S *	6/1984	Budde	D21/825
5,427,575	A *	6/1995	Berk	A63G 9/00 297/273
D387,121	S *	12/1997	Davignon, II	D21/825
D648,581	S *	11/2011	Rizzo	D6/716.1
D653,719	S *	2/2012	Palonis	D21/735

OTHER PUBLICATIONS

Cute Monkey Face, <https://www.publicdomainpictures.net/en/view-image.php?image=234544&picture=cute-monkey-face>, accessed Aug. 14, 2018.

Disc Swing, <https://www.littletikes.com/item/621239/disc-swing/1.html>, accessed Aug. 14, 2018.

* cited by examiner

Primary Examiner — Mitchell I. Siegel

(74) *Attorney, Agent, or Firm* — Michael J. Feigin, Esq.;
Feigin and Fridman

(57) **CLAIM**

The ornamental design for a monkey face swing, as shown and described.

DESCRIPTION

FIG. 1 shows a top perspective view of the monkey face swing.

FIG. 2 shows a bottom perspective view thereof.

FIG. 3 is a front elevational view thereof;

FIG. 4 is a rear elevational view thereof;

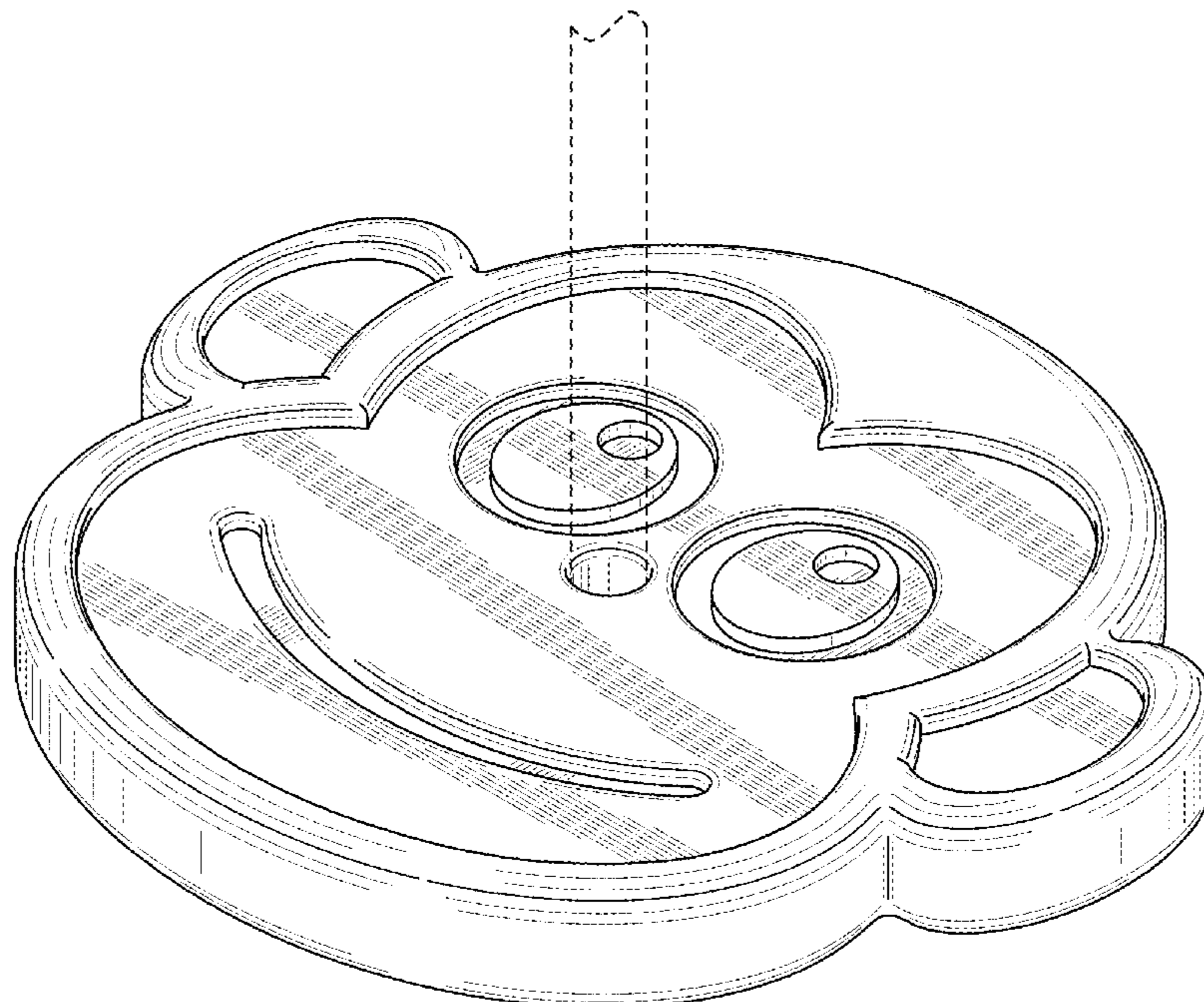
FIG. 5 shows a top side elevation view thereof.

FIG. 6 shows a bottom side elevation view thereof; and,

FIG. 7 shows a left side elevation view, the right side being a mirror image thereof.

The broken lines shown on FIGS. 1 and 2 are included for the purpose of illustrating unclaimed subject matter and form no part of the claimed design.

1 Claim, 5 Drawing Sheets



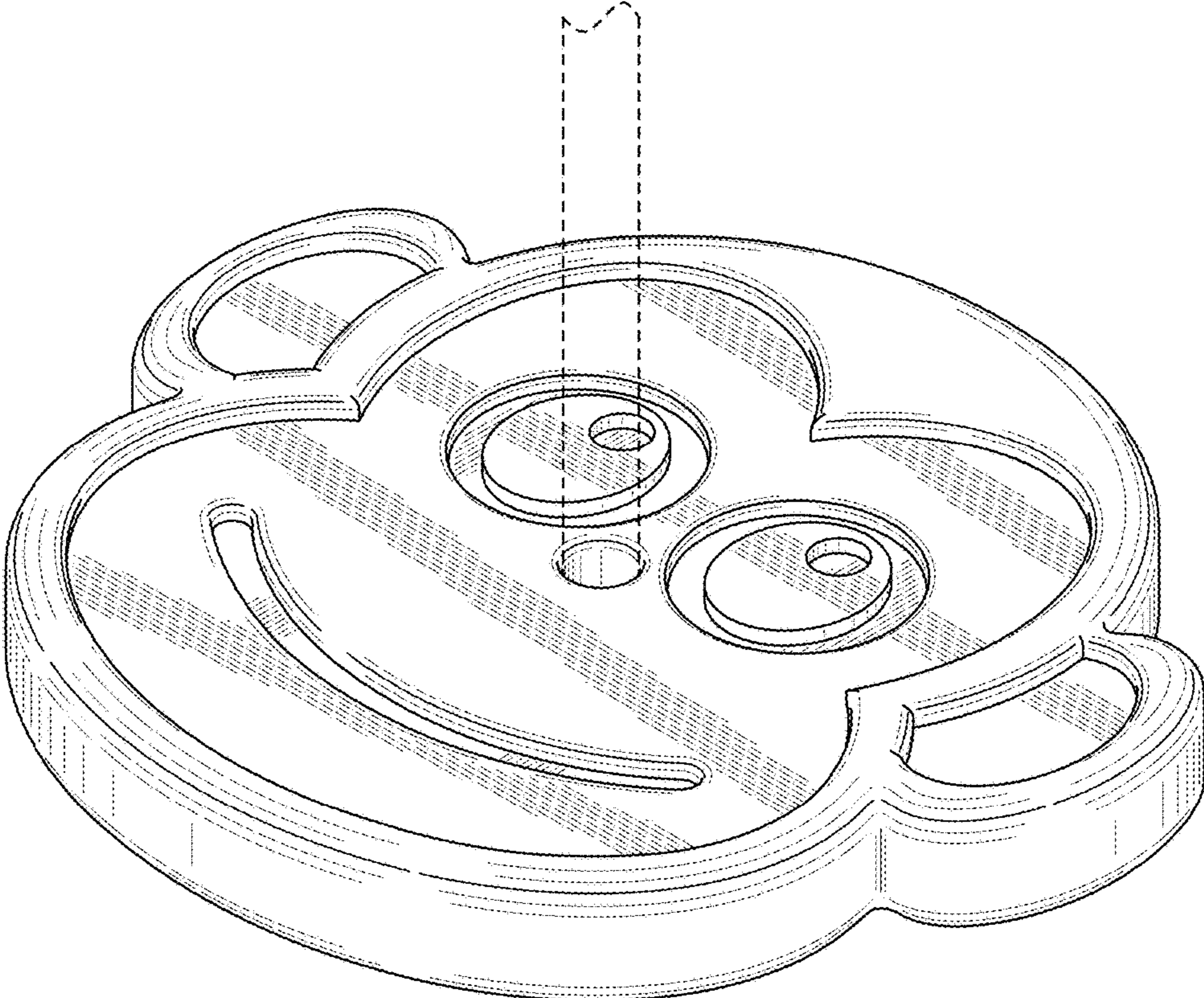


FIG. 1

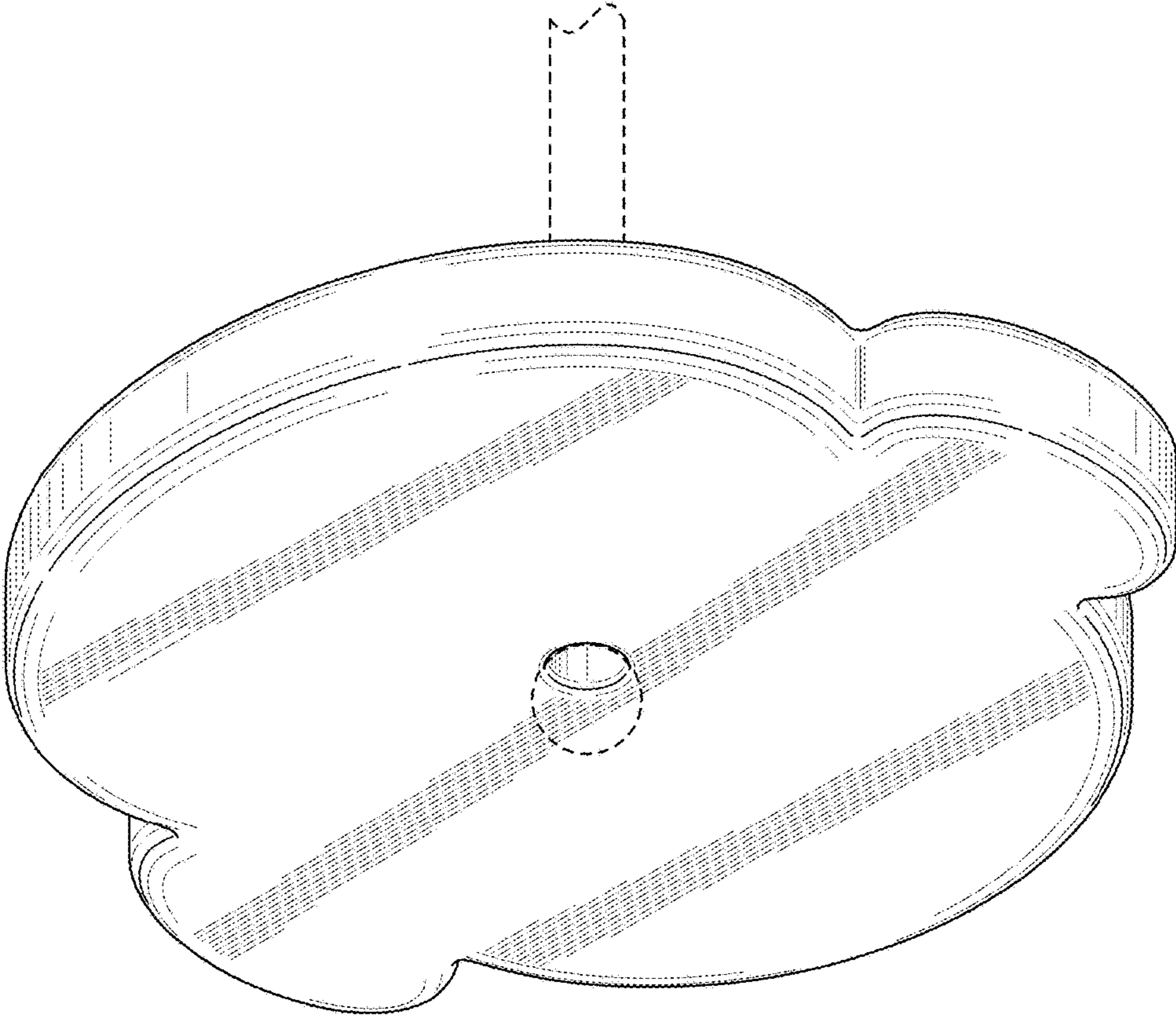


FIG. 2

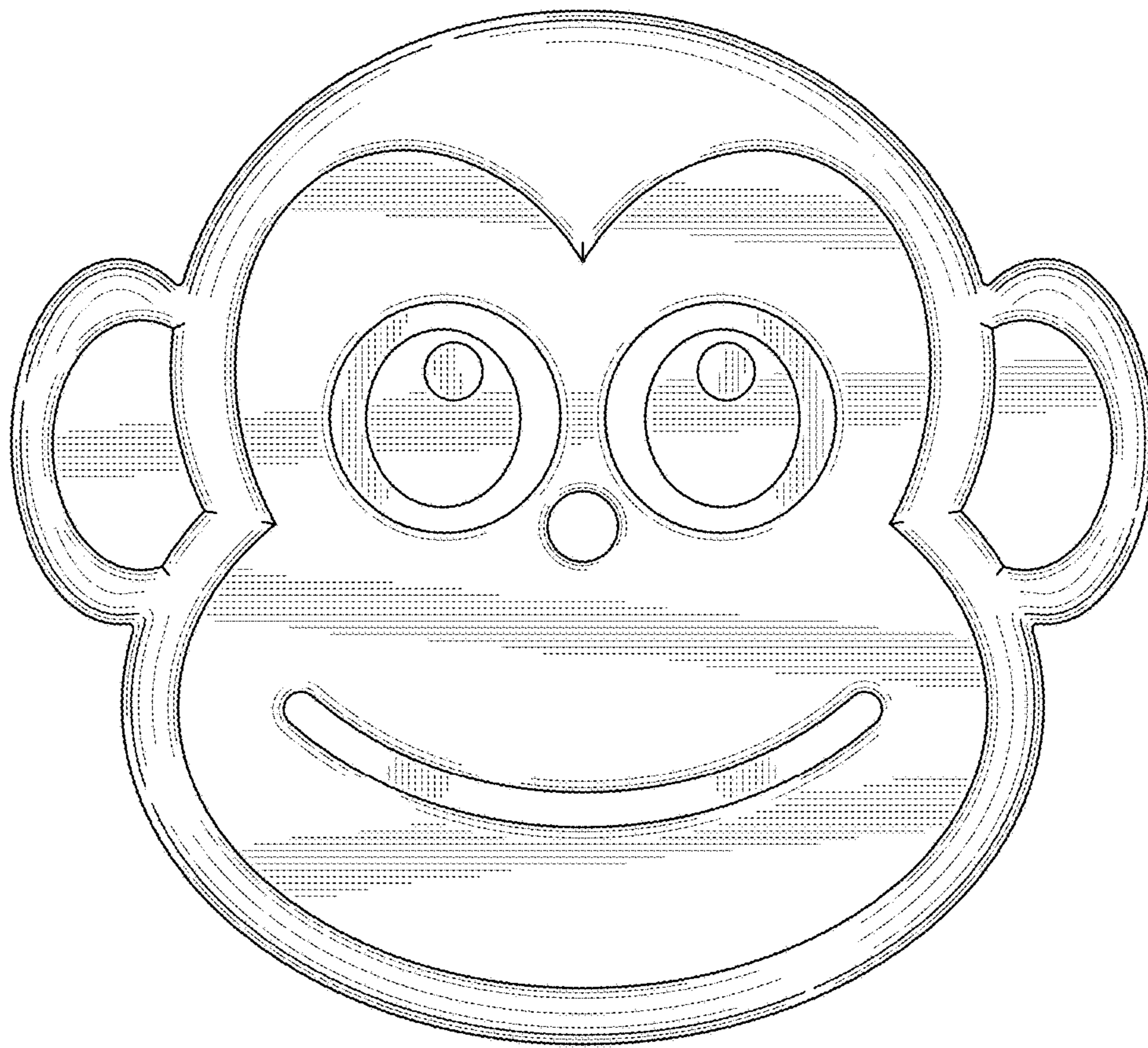


FIG. 3

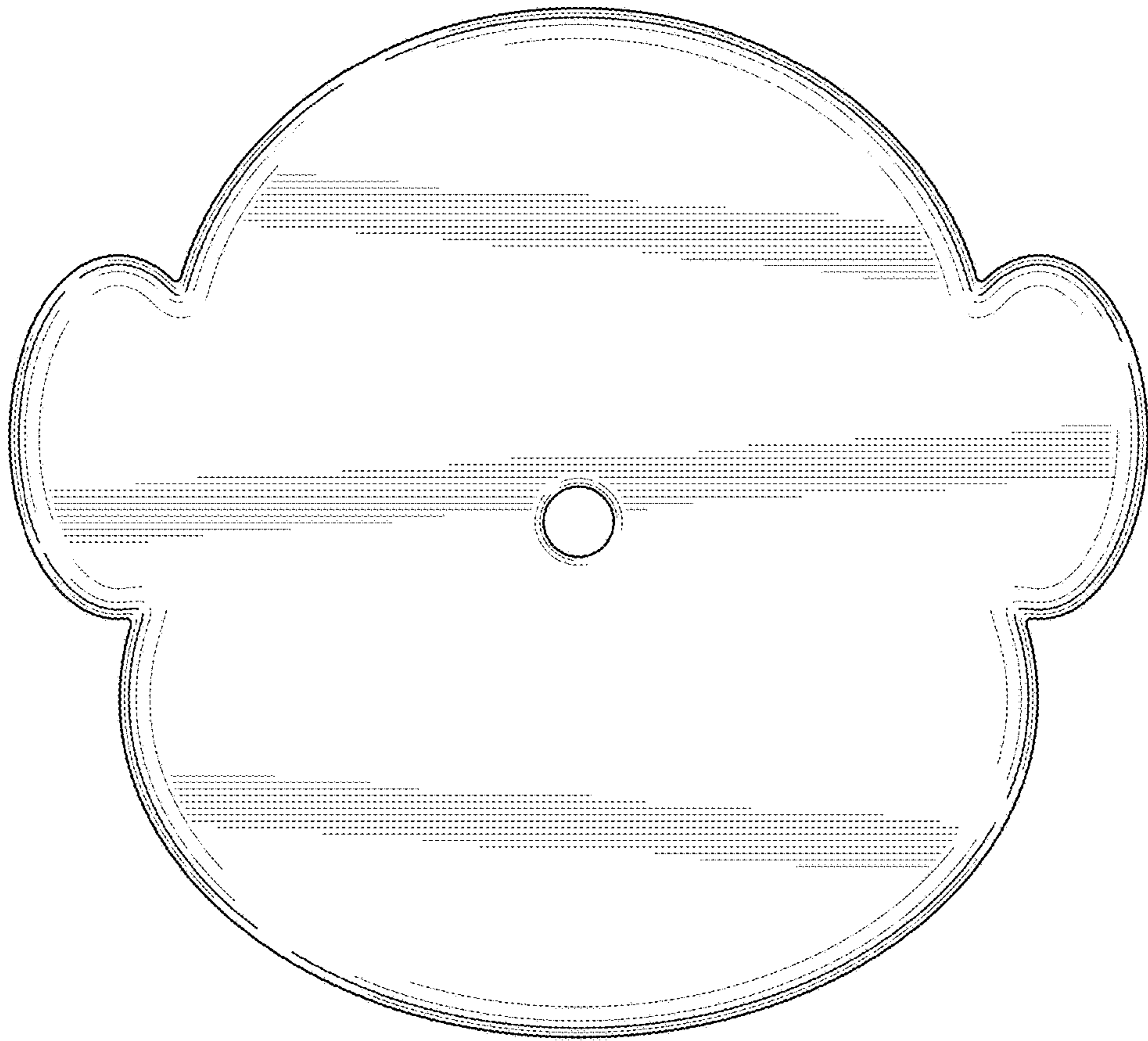


FIG. 4

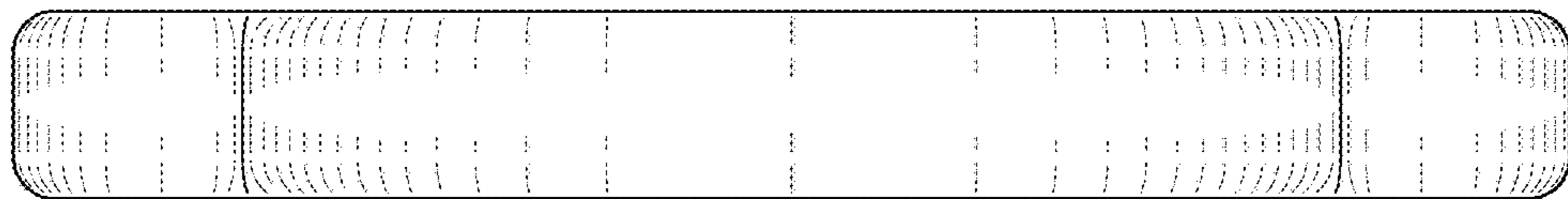


FIG. 5

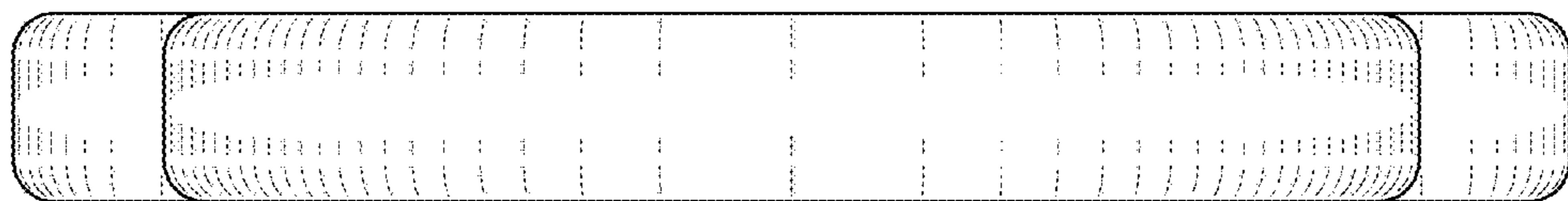


FIG. 6

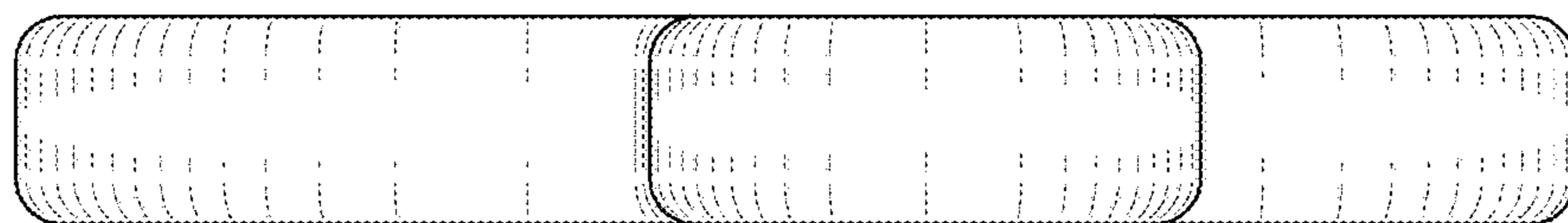


FIG. 7