



US00D861085S

(12) **United States Design Patent** (10) **Patent No.:** **US D861,085 S**
Brezovar (45) **Date of Patent:** **** Sep. 24, 2019**

(54) **DUMBBELL**
(71) Applicant: **Brunswick Corporation**, Mettawa, IL (US)
(72) Inventor: **Wayne T. Brezovar**, Chicago, IL (US)
(73) Assignee: **Life Fitness, LLC**, Rosemont, IL (US)
(**) Term: **15 Years**

D692,072 S * 10/2013 Childs D21/681
D692,970 S * 11/2013 Lien D21/681
D736,868 S * 8/2015 Lien D21/681
D739,482 S * 9/2015 Lien D21/681
D740,379 S * 10/2015 Lien D21/681
D749,177 S 2/2016 Childs
D751,157 S 3/2016 Irwin
D763,370 S * 8/2016 Tung D21/681
D799,610 S * 10/2017 Ho D21/681
D801,452 S * 10/2017 Buikema D21/681
D802,064 S * 11/2017 Hillson D21/681

(Continued)

(21) Appl. No.: **29/632,013**
(22) Filed: **Jan. 4, 2018**
(51) **LOC (12) Cl.** **21-02**
(52) **U.S. Cl.**
USPC **D21/681**
(58) **Field of Classification Search**
USPC D21/364, 400, 505, 662, 678, 679, 680,
D21/681, 683, 694; D30/160
CPC A63B 21/072; A63B 21/0726
See application file for complete search history.

FOREIGN PATENT DOCUMENTS

CN 102814023 12/2012
GB 2492079 12/2012

(Continued)

Primary Examiner — Ian Simmons
Assistant Examiner — Keith Frank
(74) *Attorney, Agent, or Firm* — Andrus Intellectual Property Law, LLP

(56) **References Cited**

U.S. PATENT DOCUMENTS

D306,886 S * 3/1990 Shiek D21/662
6,319,176 B1 11/2001 Landfair
D474,517 S 5/2003 Harms
D483,083 S 12/2003 Allshouse et al.
6,702,723 B2 3/2004 Landfair
6,746,380 B2 6/2004 Lien et al.
D546,908 S 7/2007 Lien
7,300,389 B2 11/2007 Lien et al.
D562,919 S 2/2008 Hillson
D597,612 S * 8/2009 Lien D21/681
7,704,196 B2 4/2010 Lien et al.
D624,614 S * 9/2010 Lien D21/681
D628,251 S 11/2010 Krull et al.
D650,289 S * 12/2011 Bosiljevac D21/681
D663,795 S * 7/2012 Hillson D21/681
D673,230 S 12/2012 Qin
D685,441 S * 7/2013 Januszek D21/681

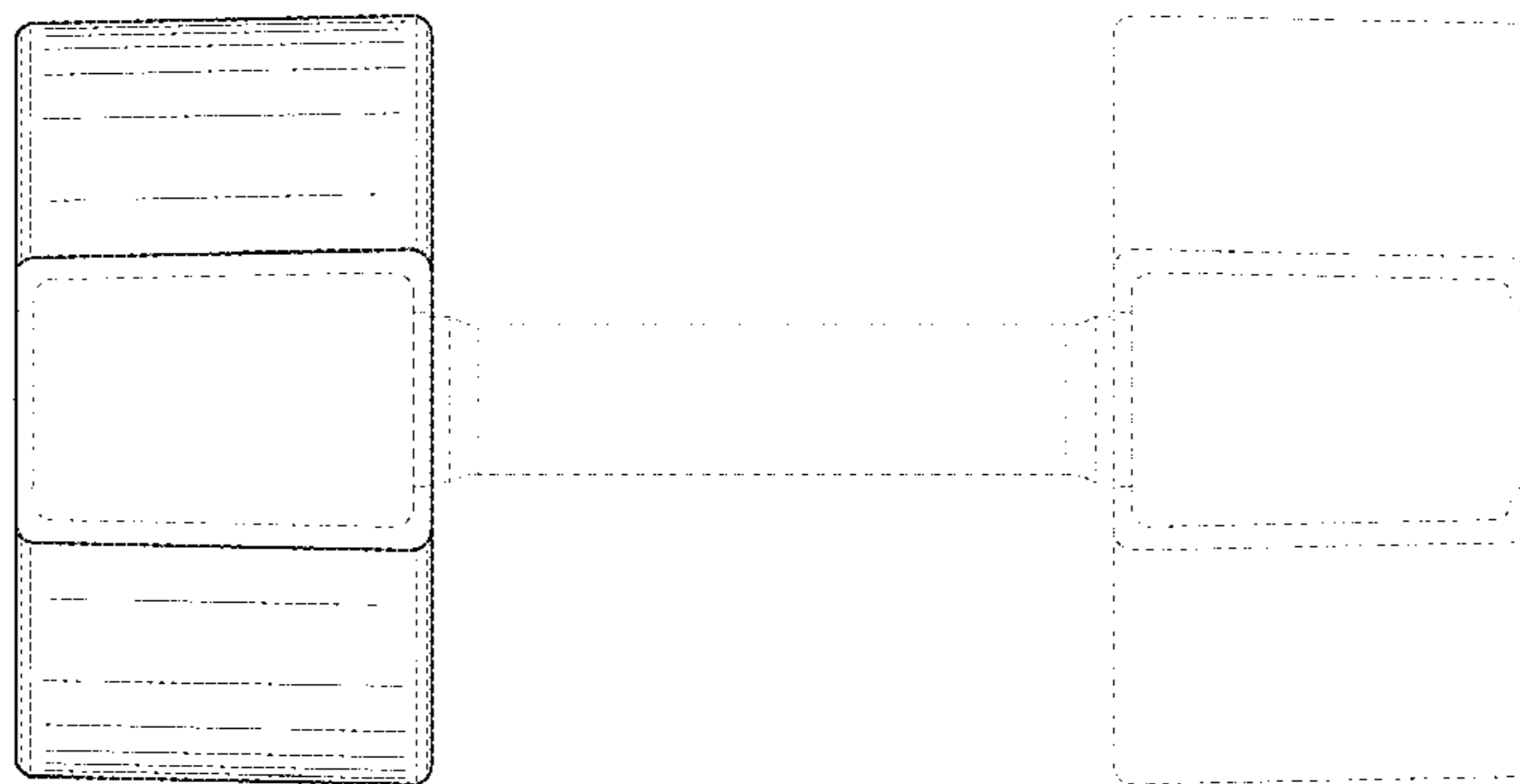
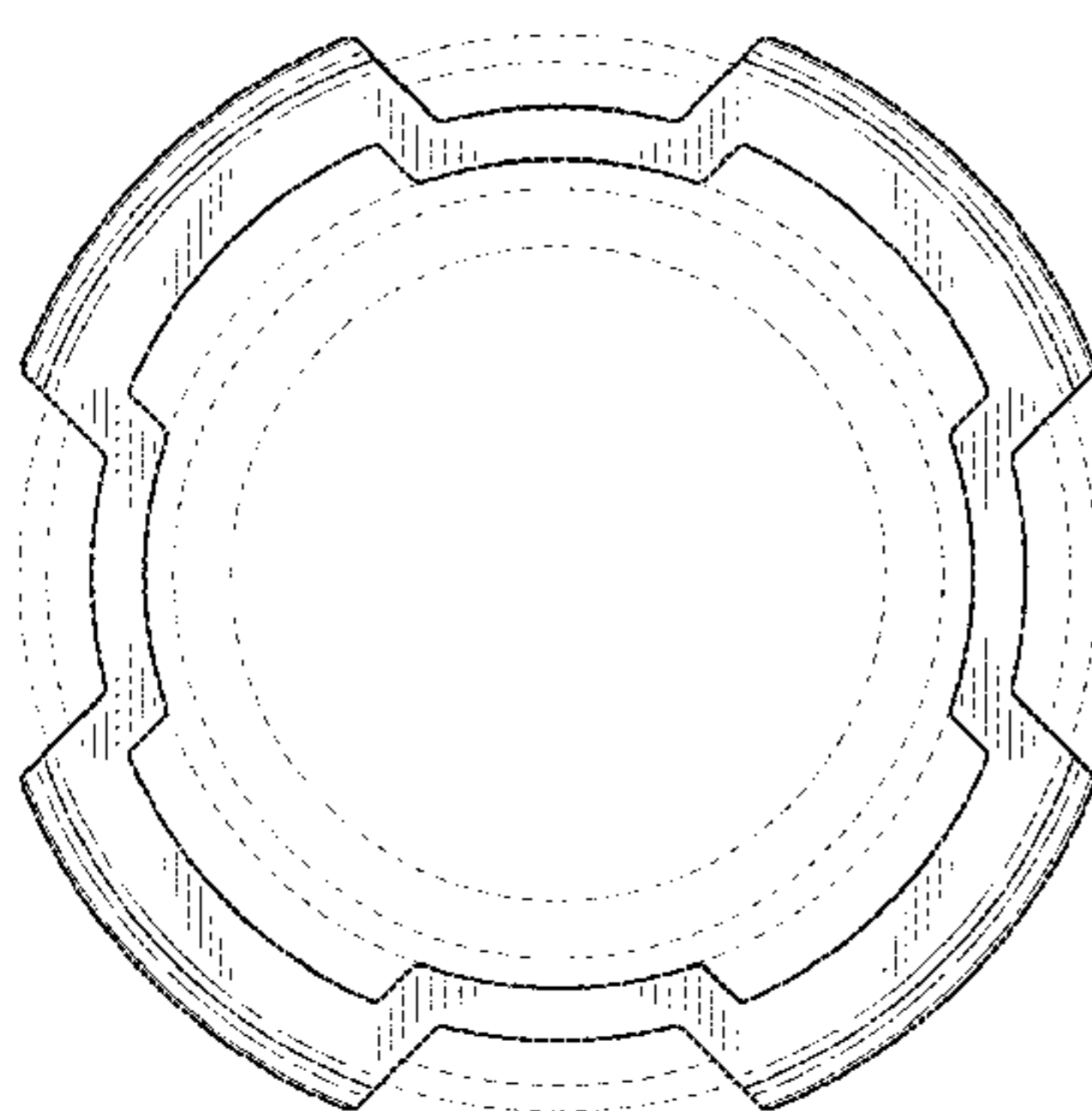
(57) **CLAIM**

The ornamental design for a dumbbell, as shown and described.

DESCRIPTION

FIG. 1 is a front perspective view of a dumbbell showing my new design;
FIG. 2 is an end view thereof.
FIG. 3 is an opposite end view thereof.
FIG. 4 is a front view thereof
FIG. 5 is a rear view thereof.
FIG. 6 is a top view thereof; and,
FIG. 7 is a bottom view thereof.
The broken lines in the drawings showing the dumbbell illustrate the portions of the dumbbell that form no part of the claimed design.

1 Claim, 4 Drawing Sheets



(56)

References Cited

U.S. PATENT DOCUMENTS

2010/0210427	A1	8/2010	Yu
2010/0255960	A1	10/2010	Kessler
2011/0306475	A1	12/2011	Caswell et al.
2013/0012367	A1	1/2013	Williams
2013/0157814	A1	6/2013	Nowicki
2015/0038303	A1	2/2015	Adkins

FOREIGN PATENT DOCUMENTS

GB	2525012	10/2015
WO	2013/181757	12/2013
WO	2014/008568	1/2014
WO	2017/024611	2/2017

* cited by examiner

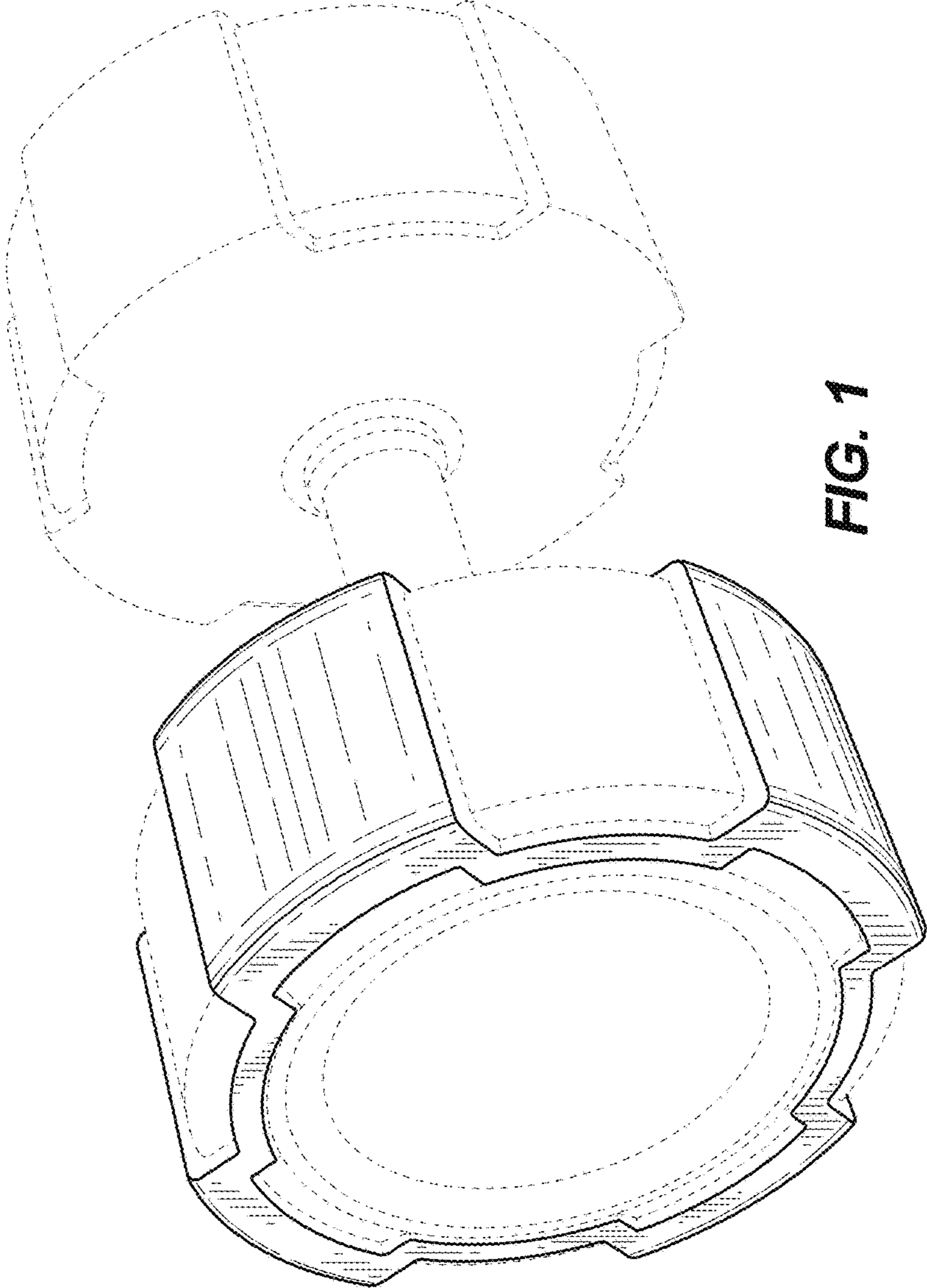


FIG. 1

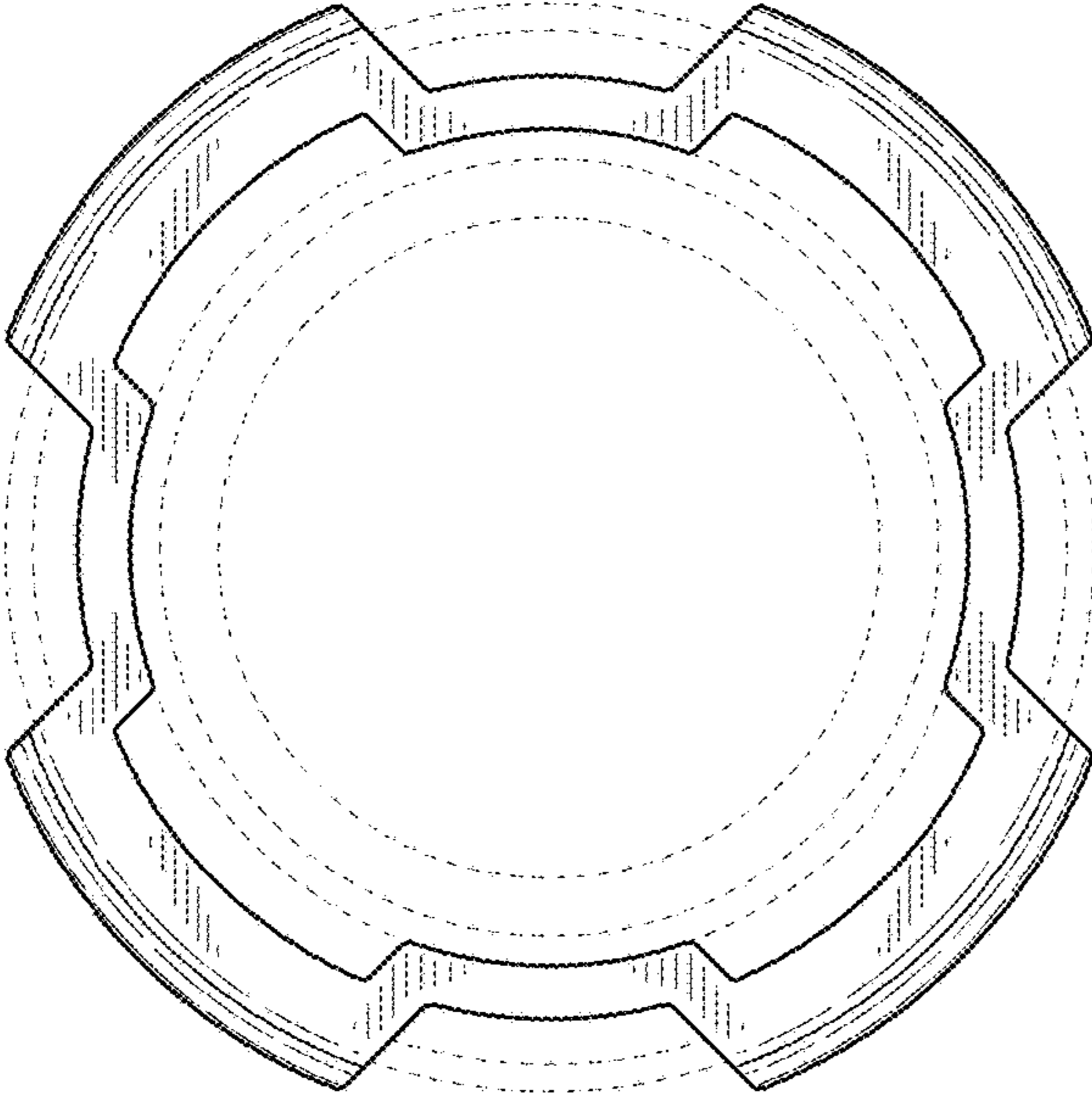


FIG. 2

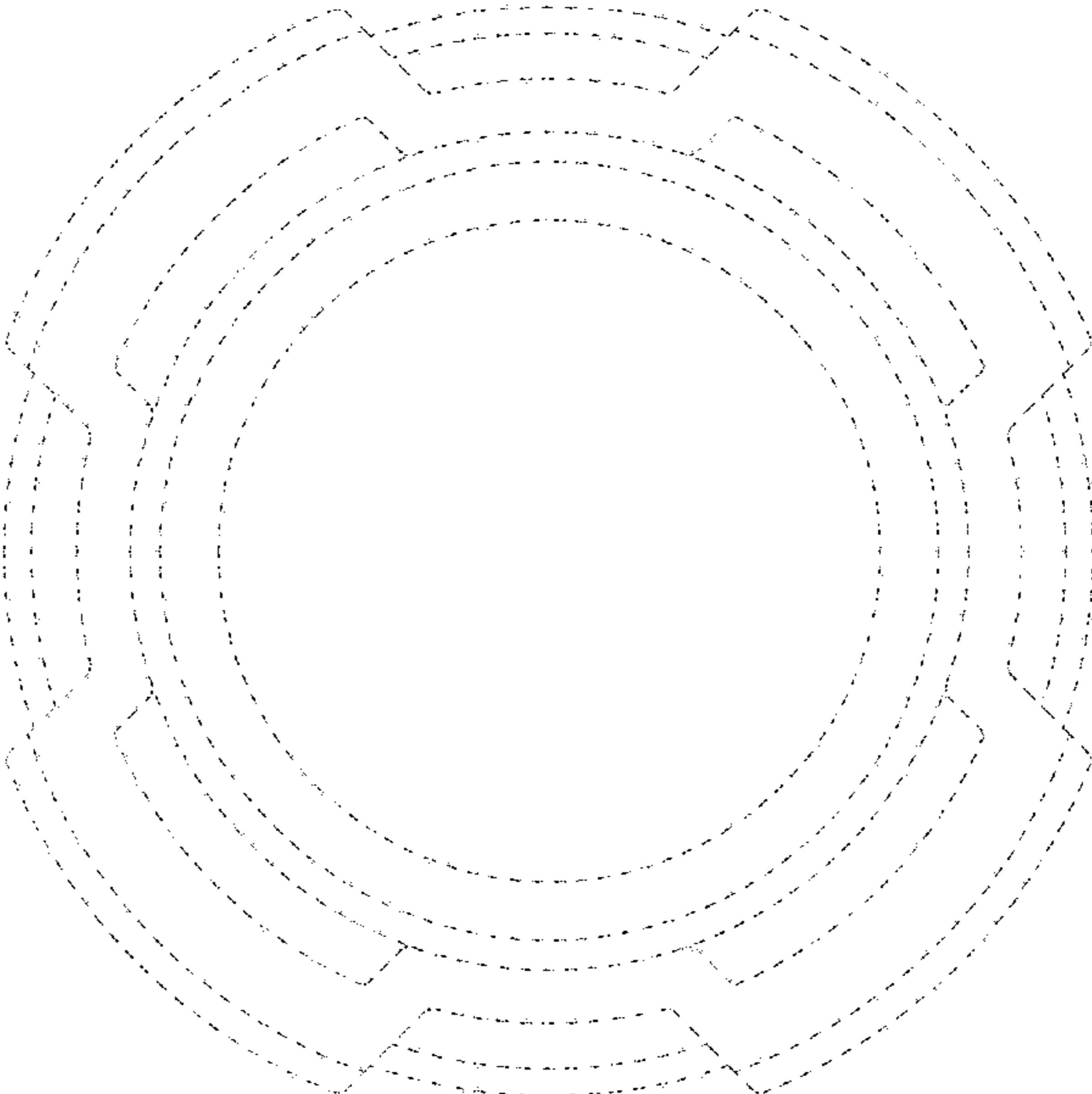


FIG. 3

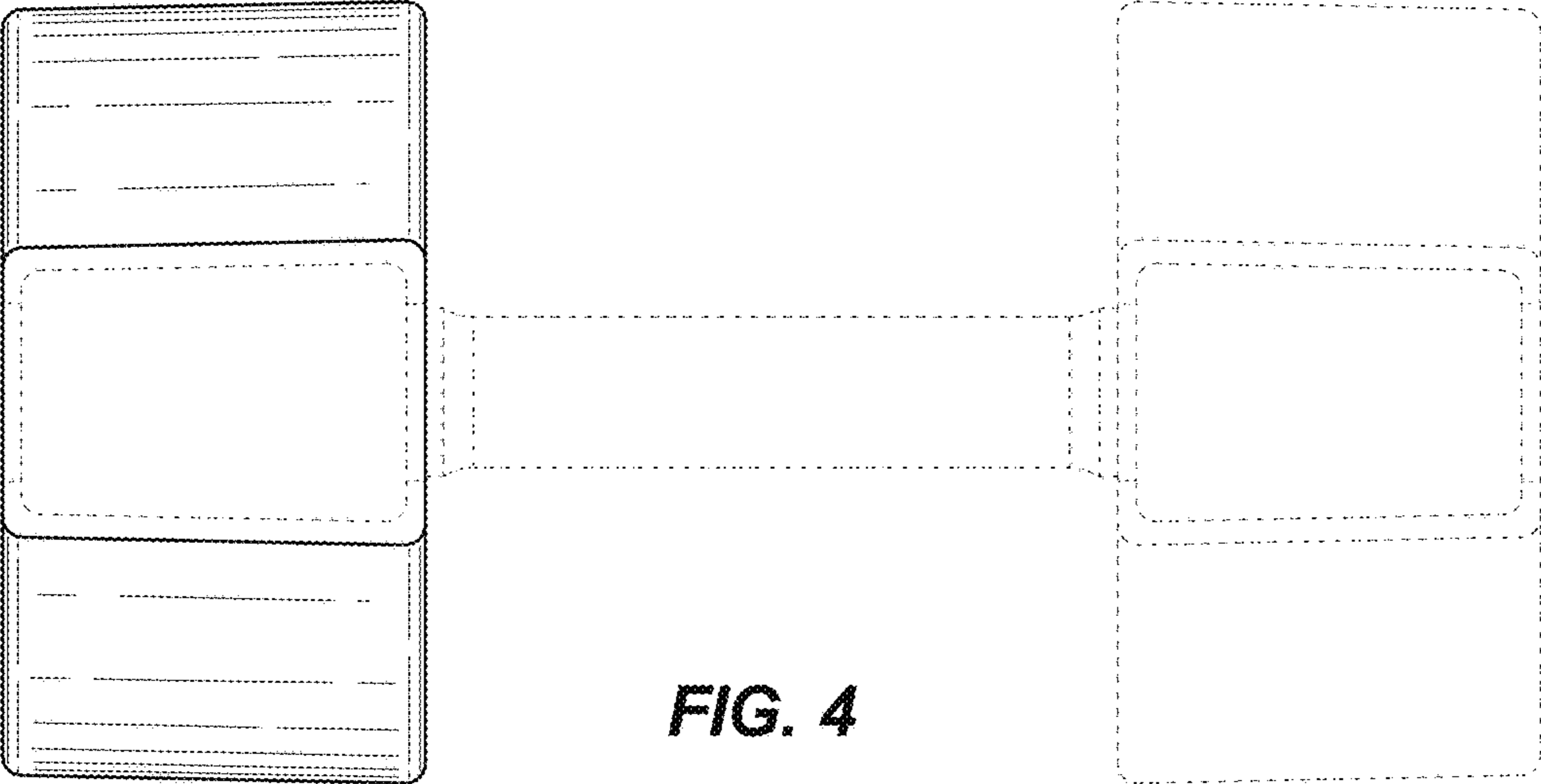


FIG. 4

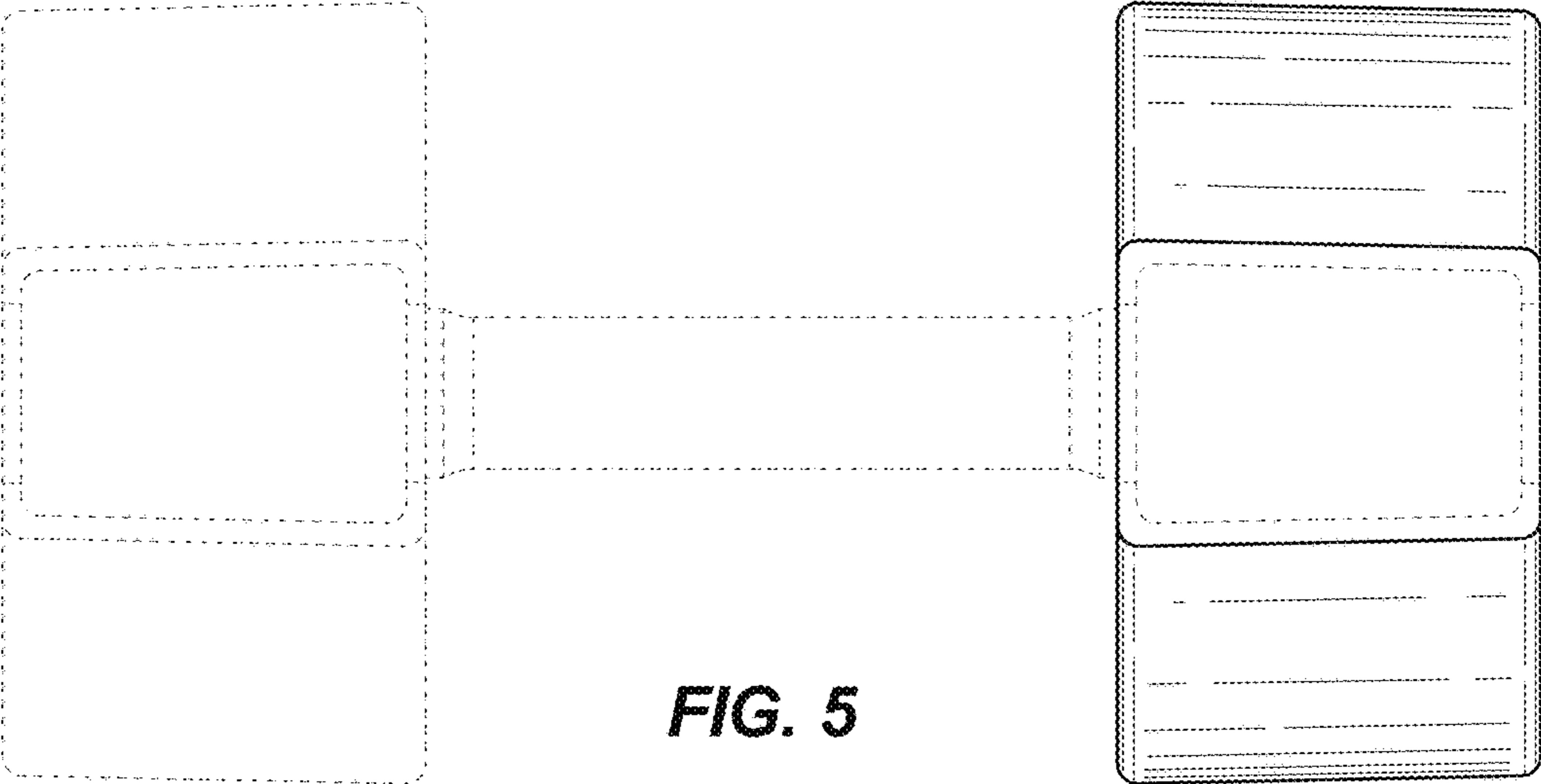


FIG. 5

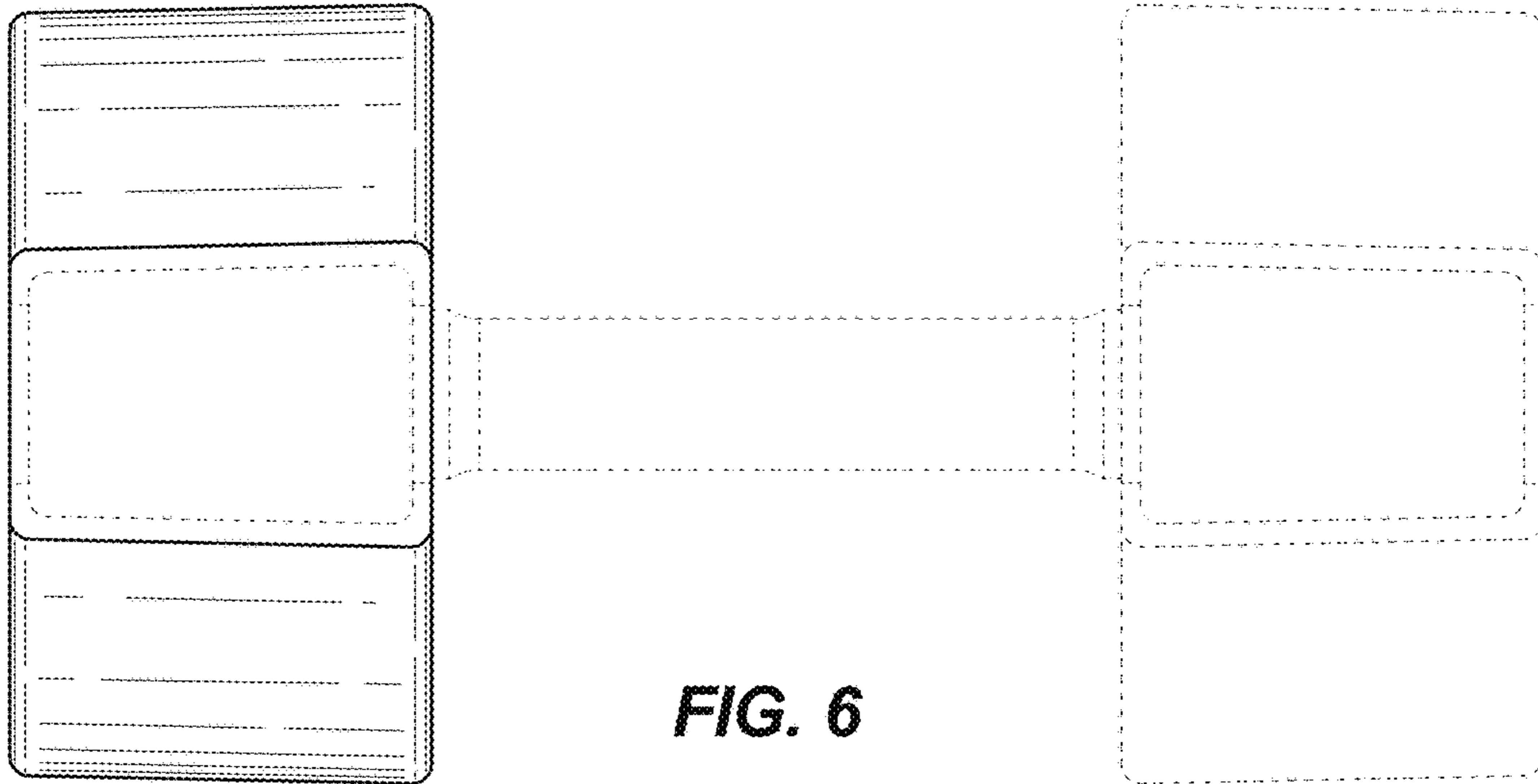


FIG. 6

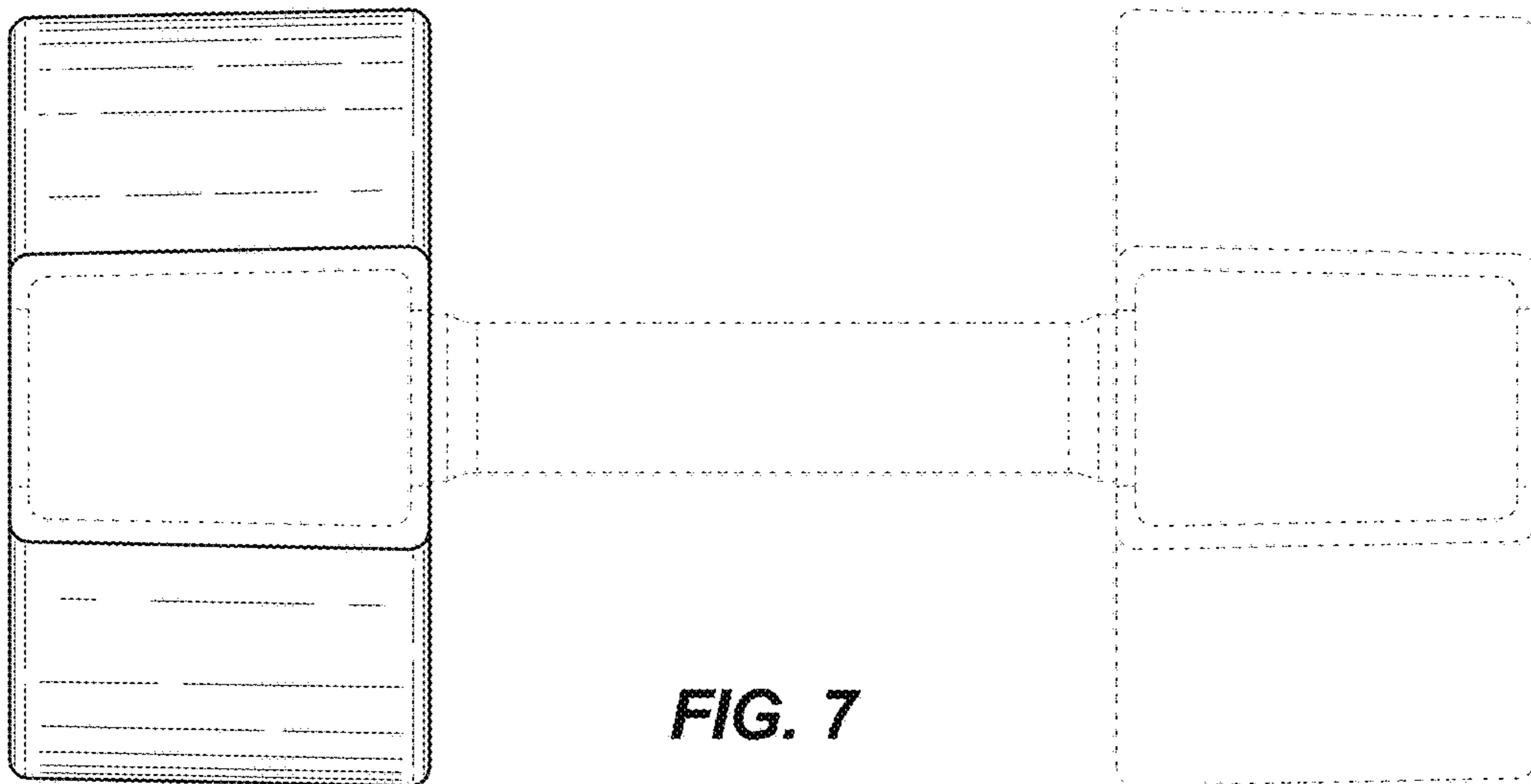


FIG. 7