



US00D861082S

(12) **United States Design Patent** (10) **Patent No.:** **US D861,082 S**
Talios et al. (45) **Date of Patent:** **** Sep. 24, 2019**

(54) **FOOD TRUCK RIDE-ON TOY**

- (71) Applicant: **Dynacraft BSC, Inc.**, American Canyon, CA (US)
- (72) Inventors: **Bill Talios**, Petaluma, CA (US); **John Bisges**, Buford, GA (US); **David Castrucci**, Napa, CA (US)
- (73) Assignee: **Dynacraft BSC, INC.**, Savannah, GA (US)
- (**) Term: **15 Years**

- (21) Appl. No.: **29/629,527**
- (22) Filed: **Dec. 13, 2017**
- (51) **LOC (12) Cl.** **21-01**
- (52) **U.S. Cl.**
USPC **D21/552**
- (58) **Field of Classification Search**
USPC D12/86, 88, 90–92, 164, 173, 184–186, D12/190, 196; D21/419, 421, 423, D21/424–426, 433–434, 548, 549, 550, D21/552, 559, 561
CPC A63H 30/04; A63H 17/26; A63H 17/262; A63H 17/264; A63H 17/266; A63H 17/36; A63H 17/38; A63H 29/00; A63H 29/22; A63H 29/24
See application file for complete search history.

(56) **References Cited**

U.S. PATENT DOCUMENTS

4,055,250 A * 10/1977 Mayhew B65D 81/368 206/457
D259,730 S * 6/1981 Arad D21/434
D279,589 S * 7/1985 Marshall D21/434
D280,115 S * 8/1985 Takeuchi D21/558
4,639,646 A 1/1987 Harris et al.
D295,772 S * 5/1988 Kwan D21/552
D305,555 S * 1/1990 Spielberg D21/554
5,229,703 A 7/1993 Harris
D352,075 S * 11/1994 Washington D21/434

(Continued)

OTHER PUBLICATIONS

Instructables, “Power Wheels Mods—Master Kill Switch and Charging,” <<http://www.instructables.com/id/Power-Wheels-Mods-Master-Kill-Switch-and-Charging/>> webpage available at least as early as Aug. 22, 2015.

(Continued)

Primary Examiner — Manpreet S Matharu

Assistant Examiner — Keith J Wilson

(74) *Attorney, Agent, or Firm* — Michael Best & Friedrich LLP

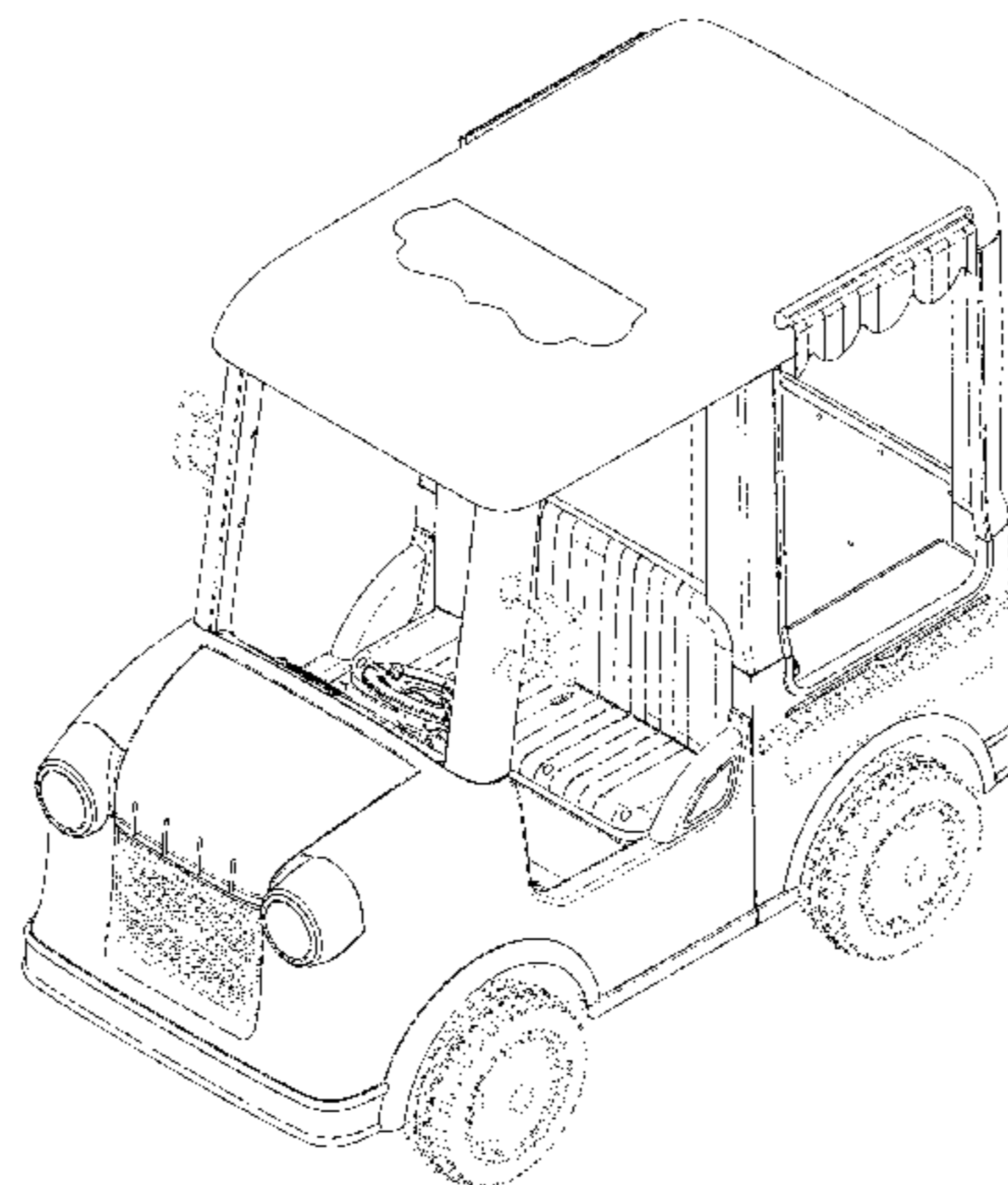
(57) **CLAIM**

The ornamental design for a food truck ride-on toy, as shown and described.

DESCRIPTION

FIG. 1 is a front perspective view of a first embodiment of the design;
FIG. 2 is a rear perspective view of FIG. 1;
FIG. 3 is a front plan view of FIG. 1;
FIG. 4 is a rear plan view of FIG. 1;
FIG. 5 is a left side plan view of FIG. 1;
FIG. 6 is a right side plan view of FIG. 1;
FIG. 7 is a top elevational view of FIG. 1;
FIG. 8 is a front perspective view of the first embodiment of the design with moveable components shown in the extended position;
FIG. 9 is a rear perspective view of FIG. 8;
FIG. 10 is a front plan view of FIG. 8;
FIG. 11 is a rear plan view of FIG. 8;
FIG. 12 is a left side plan view of FIG. 8;
FIG. 13 is a right side plan view of FIG. 8; and,
FIG. 14 is a top elevational view of FIG. 8.
The broken lines illustrate portions of the food truck ride-on toy that form no part of the claimed design.

1 Claim, 14 Drawing Sheets



(56)

References Cited

U.S. PATENT DOCUMENTS

5,439,071 A 8/1995 Rodriguez-Ferre
D366,071 S * 1/1996 Harrod D21/431
D382,922 S * 8/1997 Dirden D21/552
5,845,724 A 12/1998 Barrett
5,859,509 A 1/1999 Bienz et al.
6,039,626 A * 3/2000 Gerold A63H 17/262
446/175
D445,465 S * 7/2001 Ma D21/552
D445,466 S * 7/2001 Ma D21/552
6,349,786 B1 2/2002 Gift
6,771,034 B2 8/2004 Reile et al.
D550,787 S * 9/2007 Stewart D21/552
D569,449 S * 5/2008 Chung D21/431
D601,207 S * 9/2009 Chung D21/434
D673,624 S * 1/2013 Kasahara D21/434
D710,460 S * 8/2014 Hattori D21/552
D714,880 S * 10/2014 Hattori D21/551
D730,864 S * 6/2015 Stewart D14/168
D760,325 S * 6/2016 Sano D21/552
9,771,017 B1 9/2017 Talios et al.
2005/0202752 A1 9/2005 Bryner
2011/0012548 A1 1/2011 Wilcox et al.
2017/0115009 A1* 4/2017 Ramphos F24C 15/2042

OTHER PUBLICATIONS

Modified Power Wheels, "FAQ—Remote kill switches, and key switches," <http://www.modifiedpowerwheels.com/forum/topic.asp?TOPIC_ID=4821> webpage available at least as early as Jun. 20, 2009.

* cited by examiner

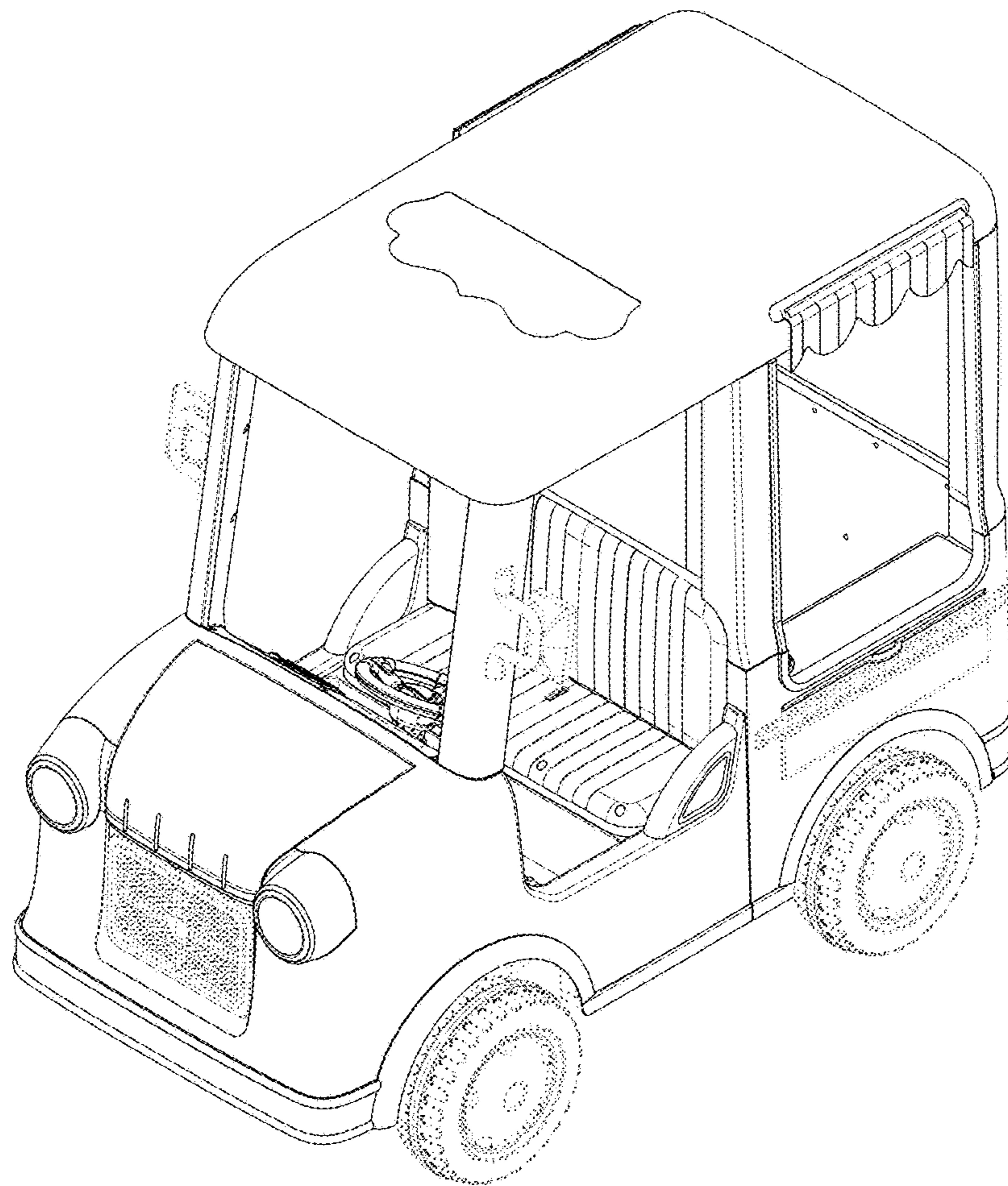


FIG. 1

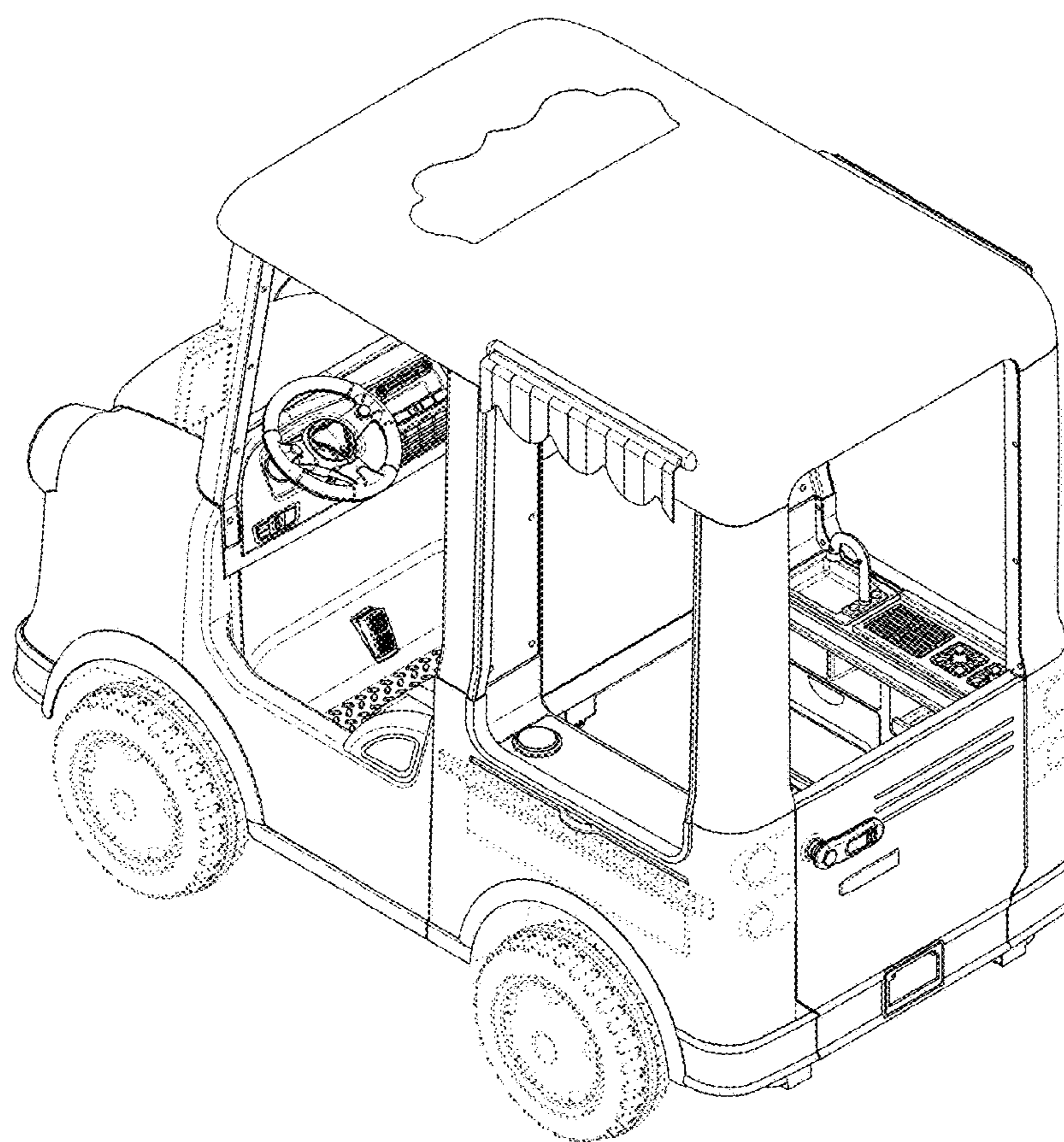


FIG. 2

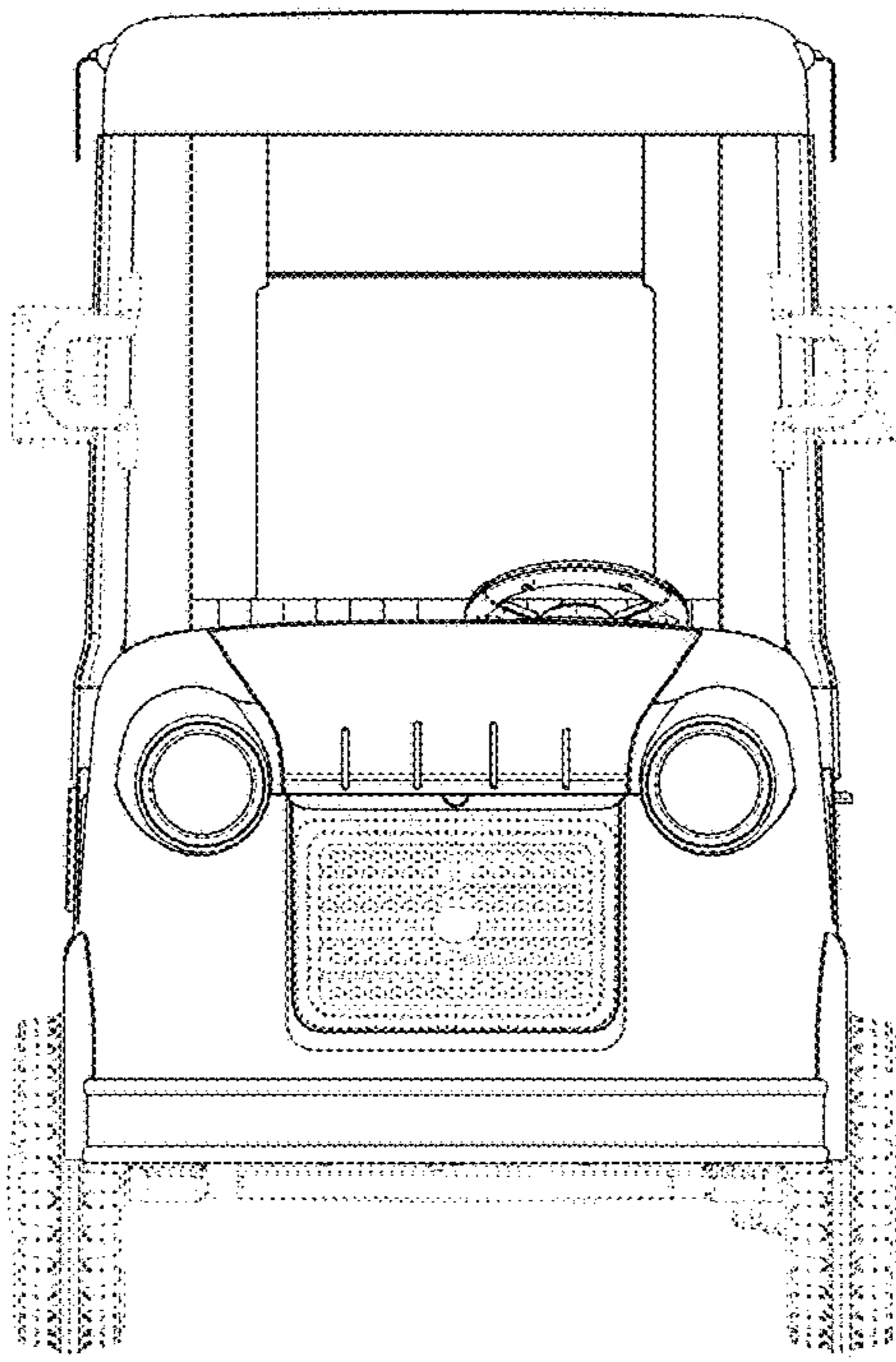


FIG. 3

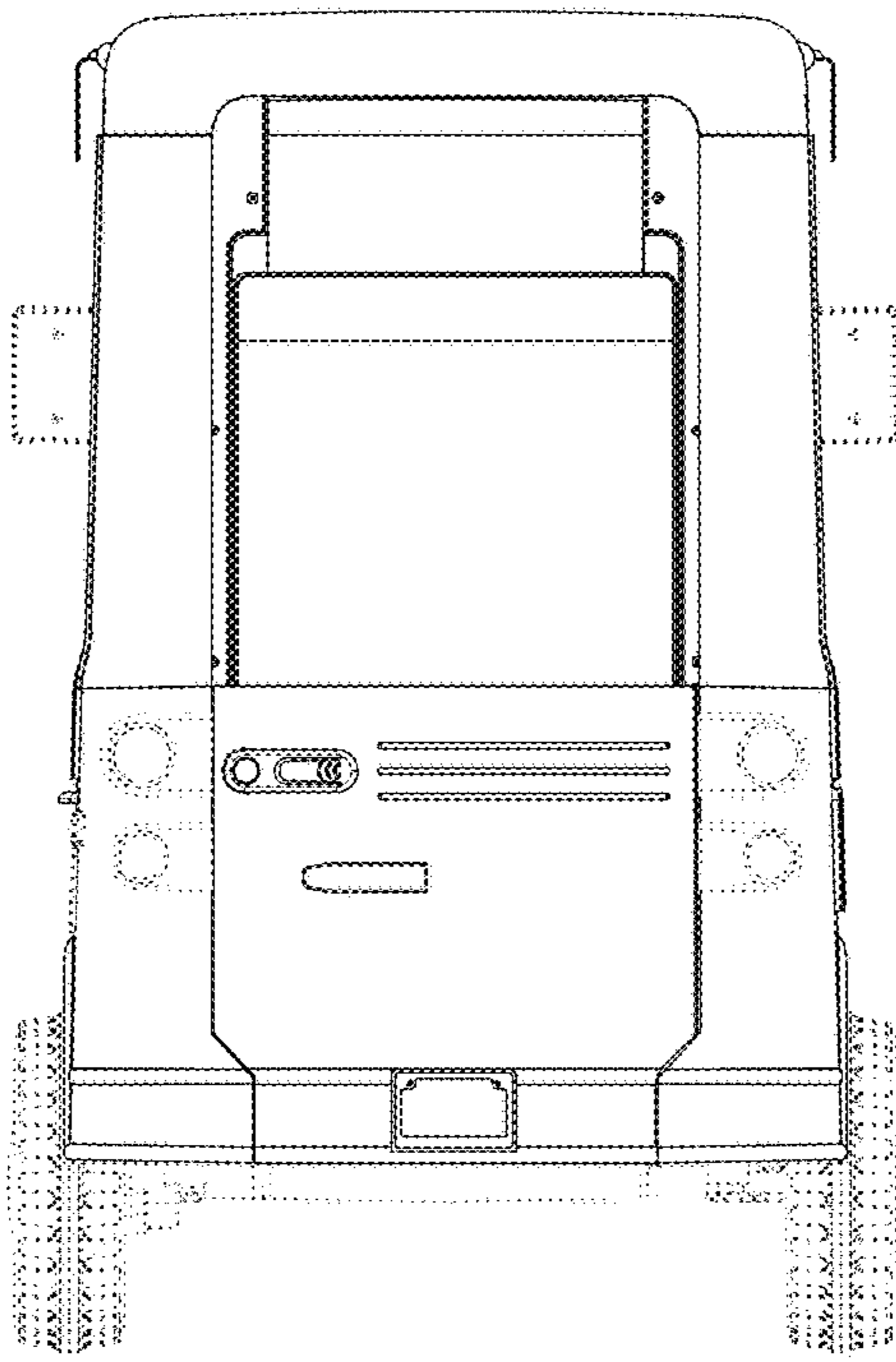


FIG. 4

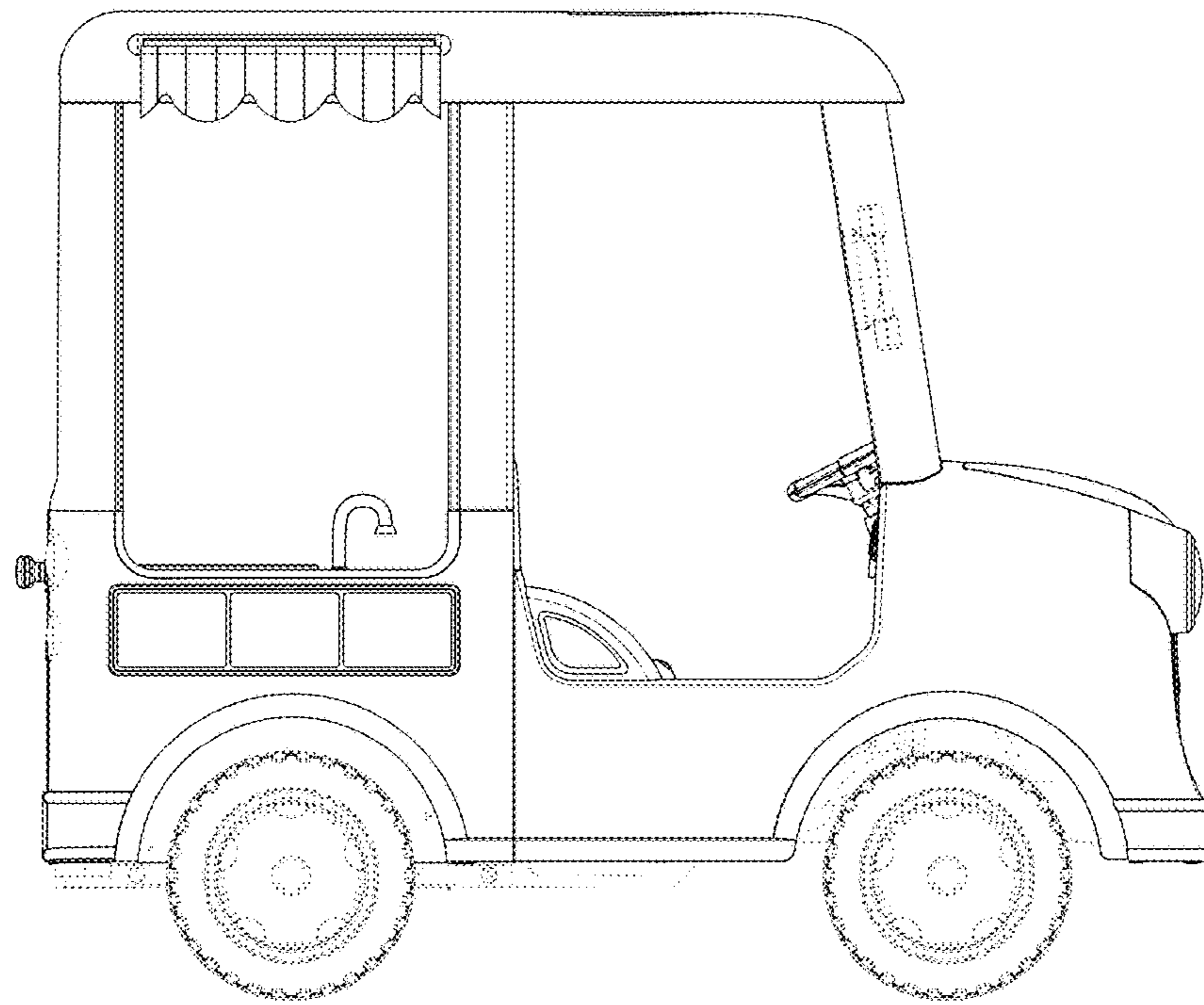


FIG. 5

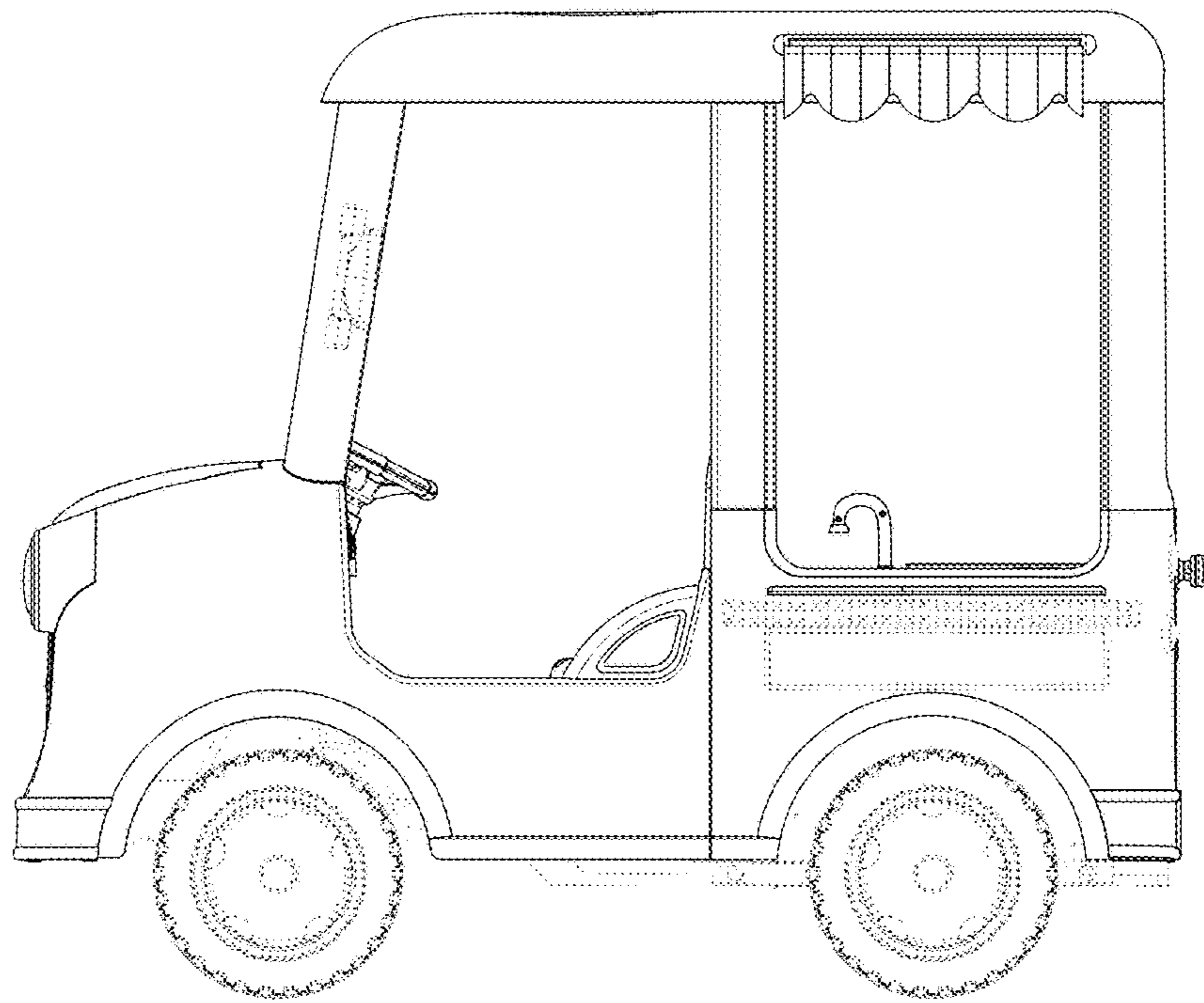


FIG. 6

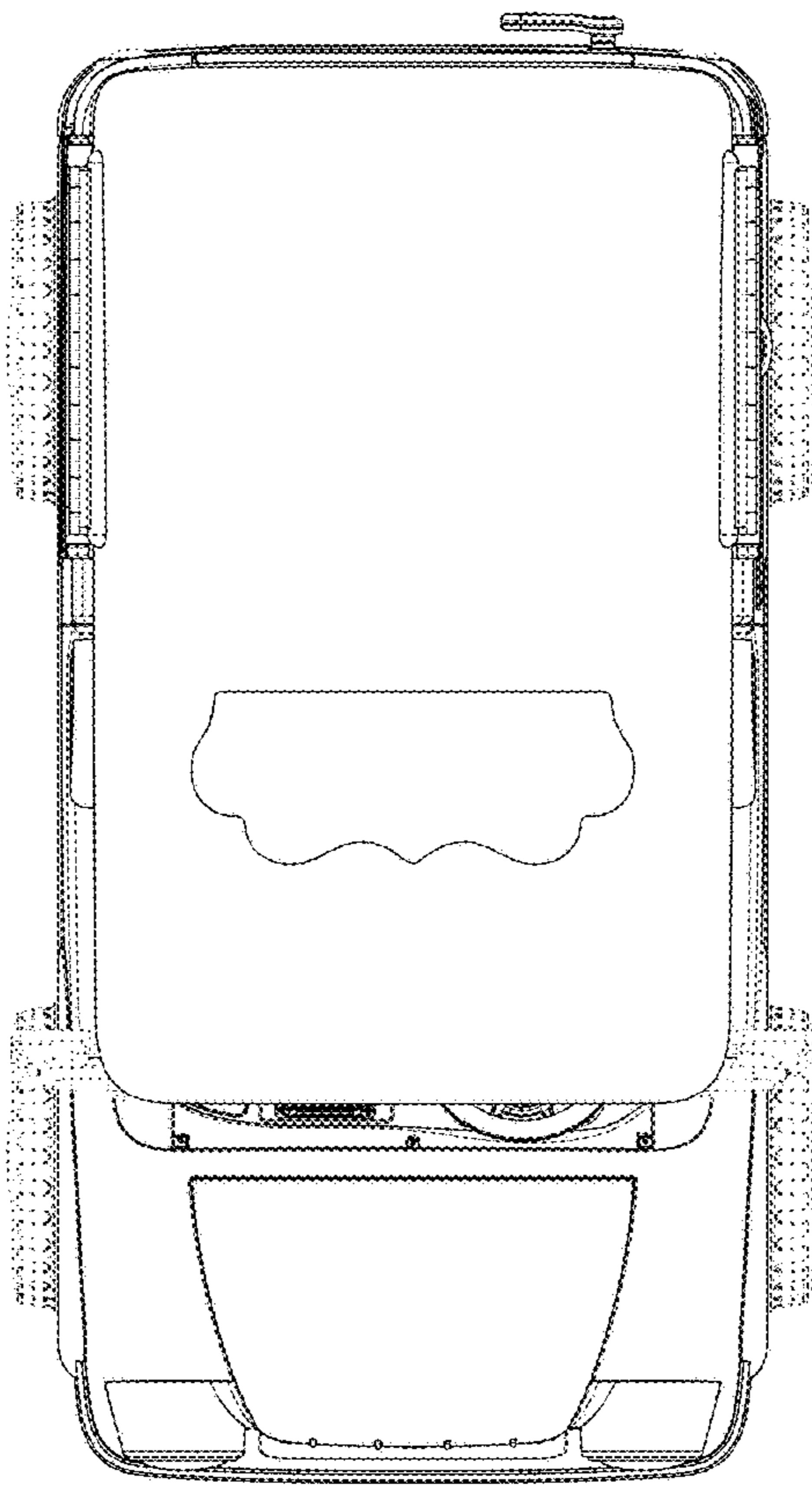


FIG. 7

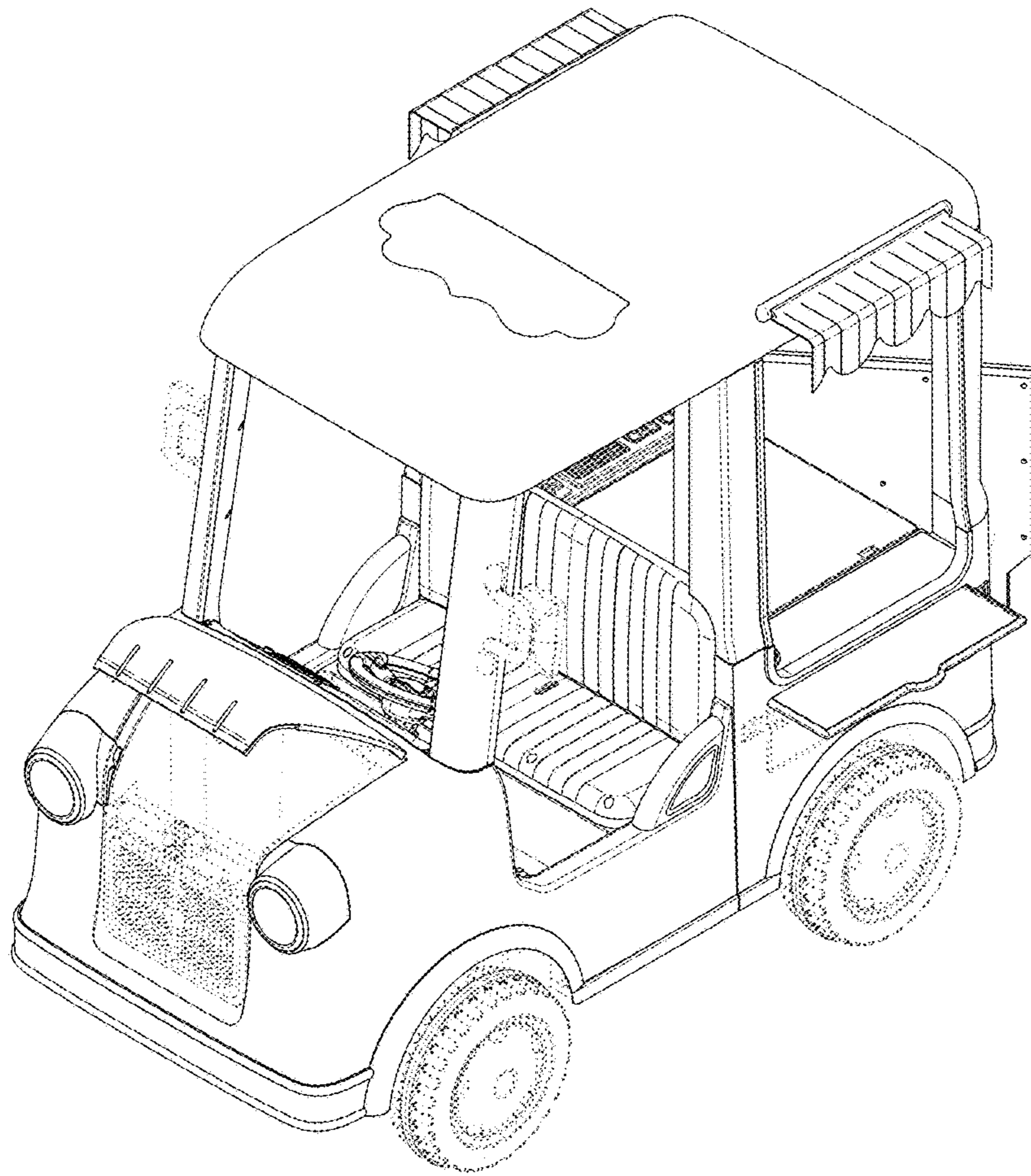


FIG. 8

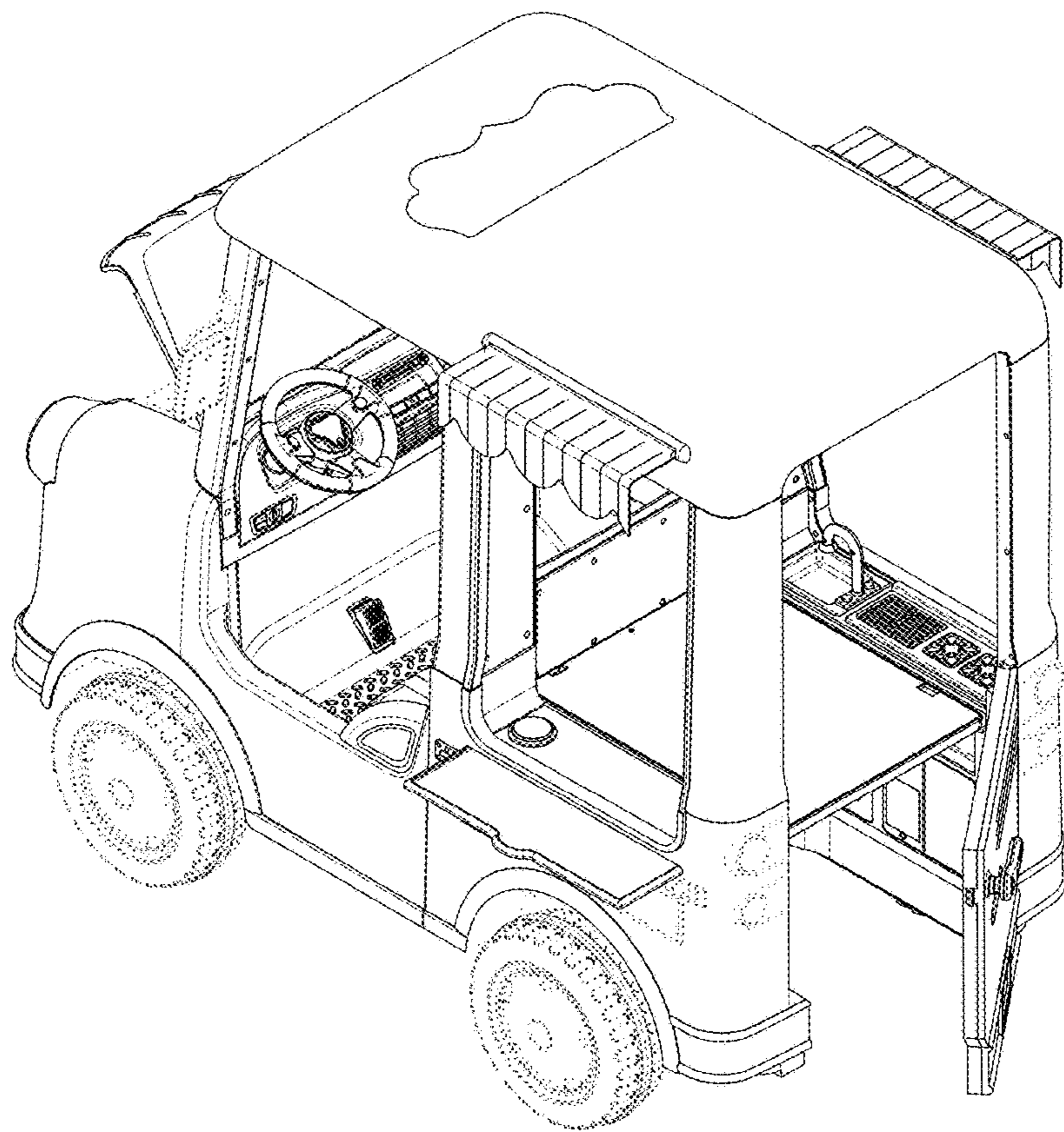


FIG. 9

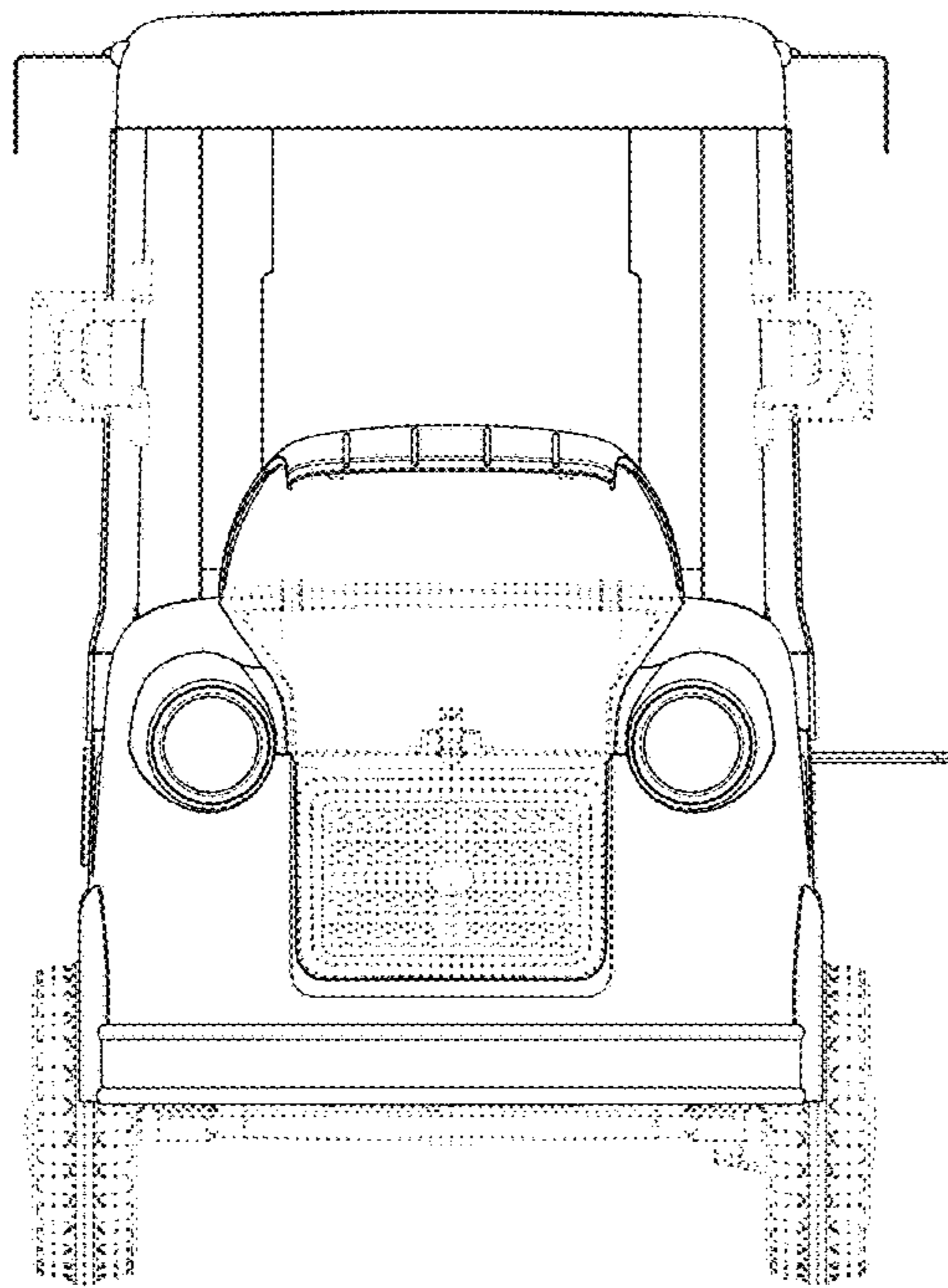


FIG. 10

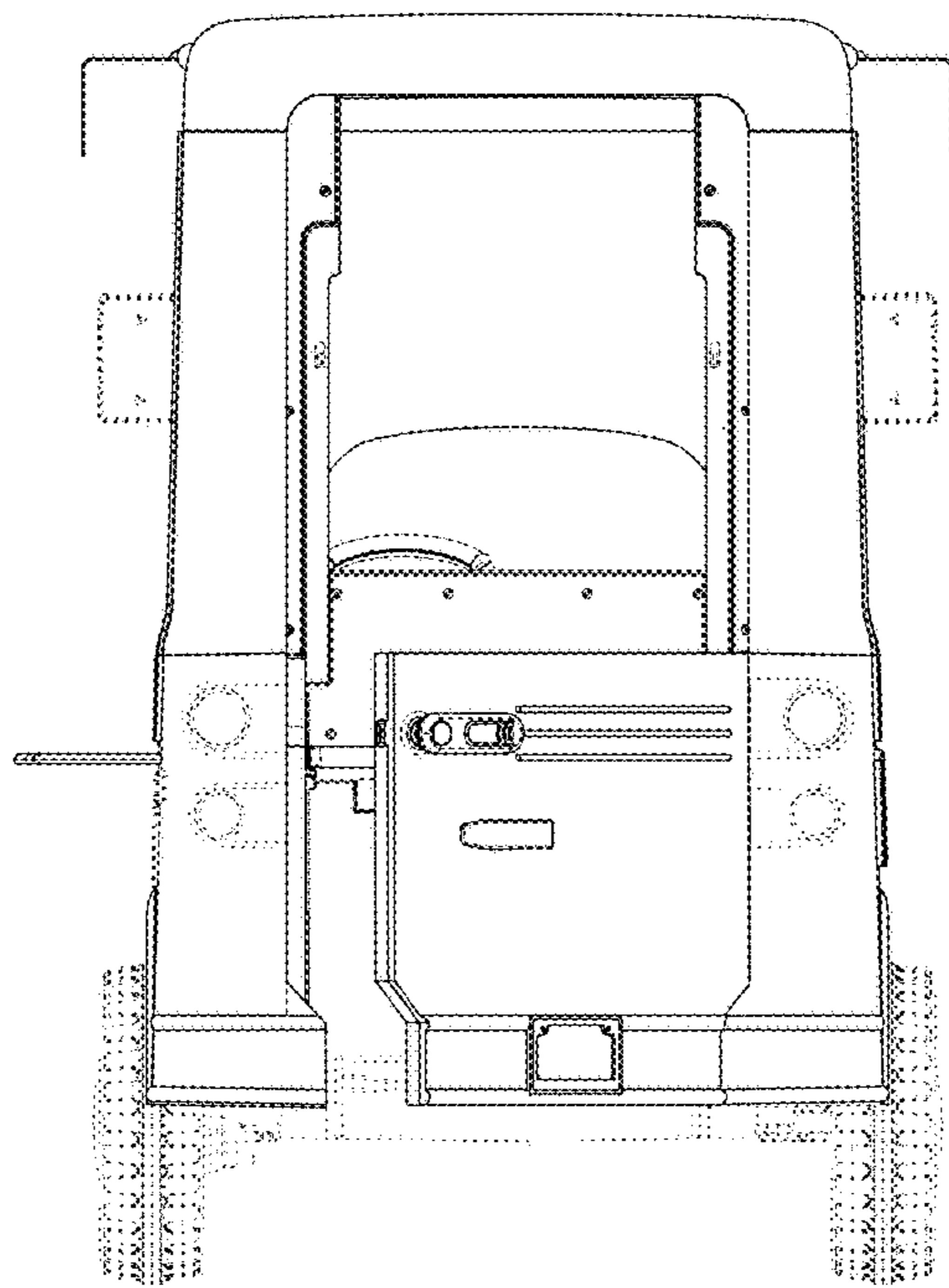


FIG. 11

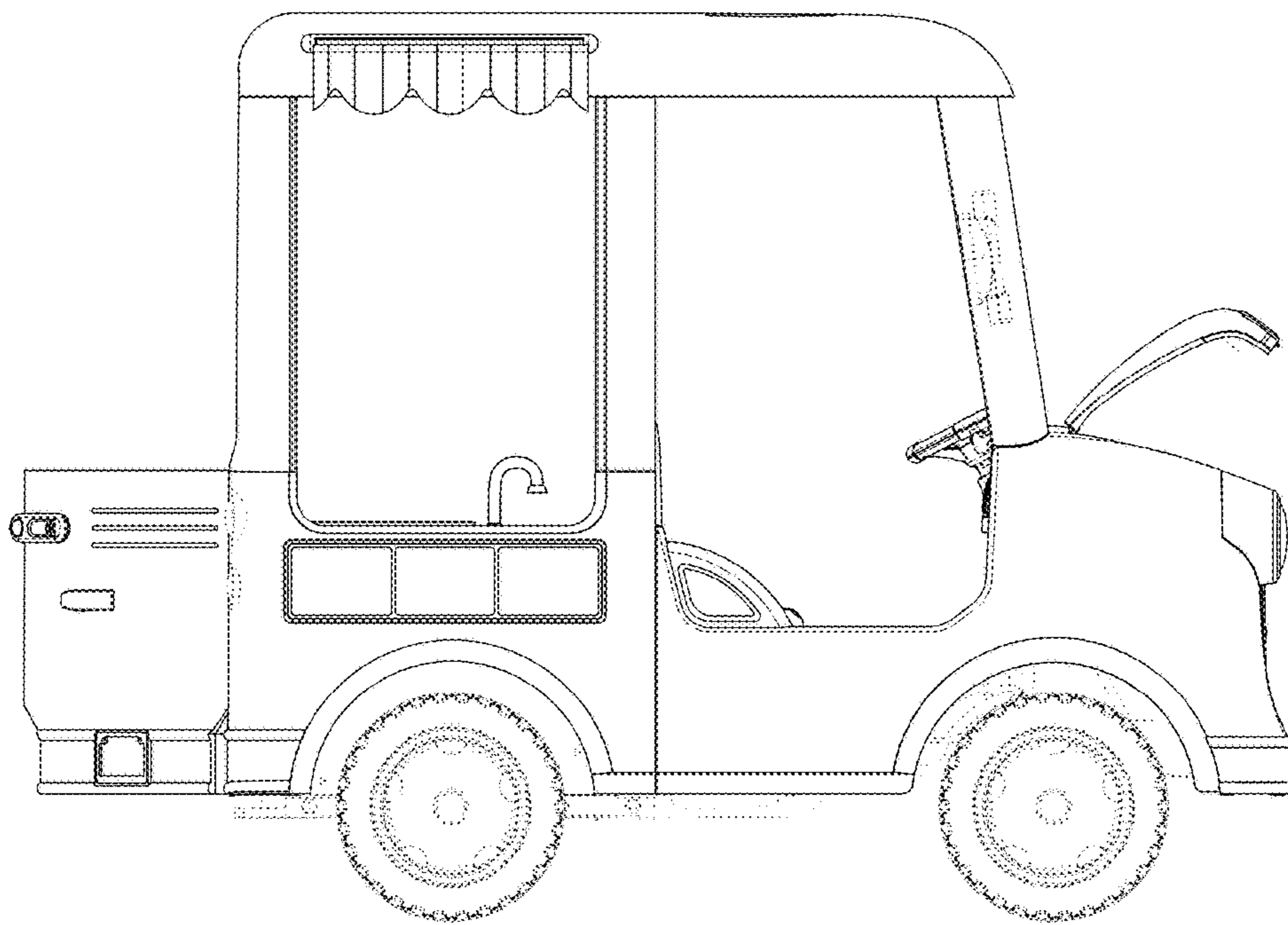


FIG. 12

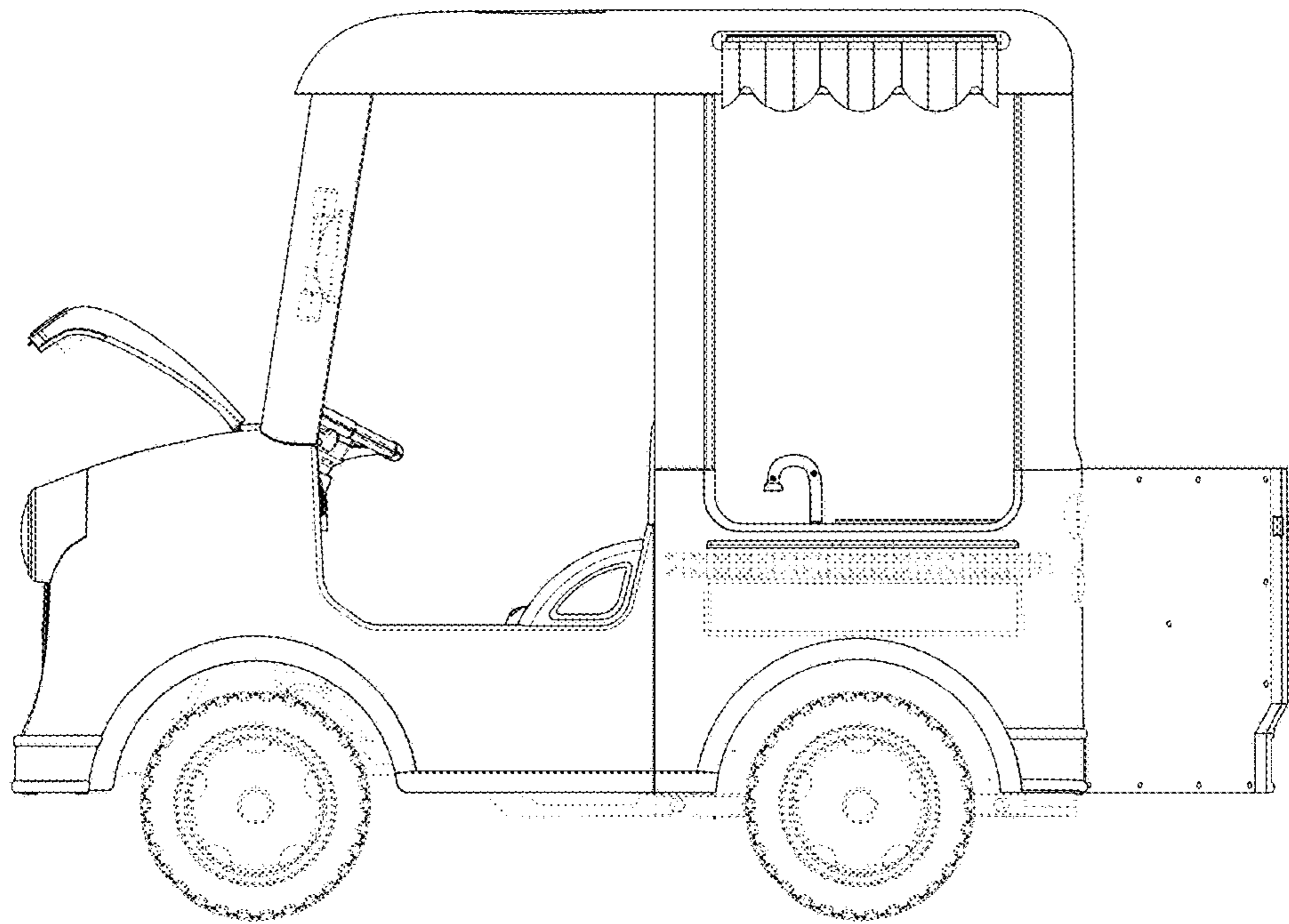


FIG. 13

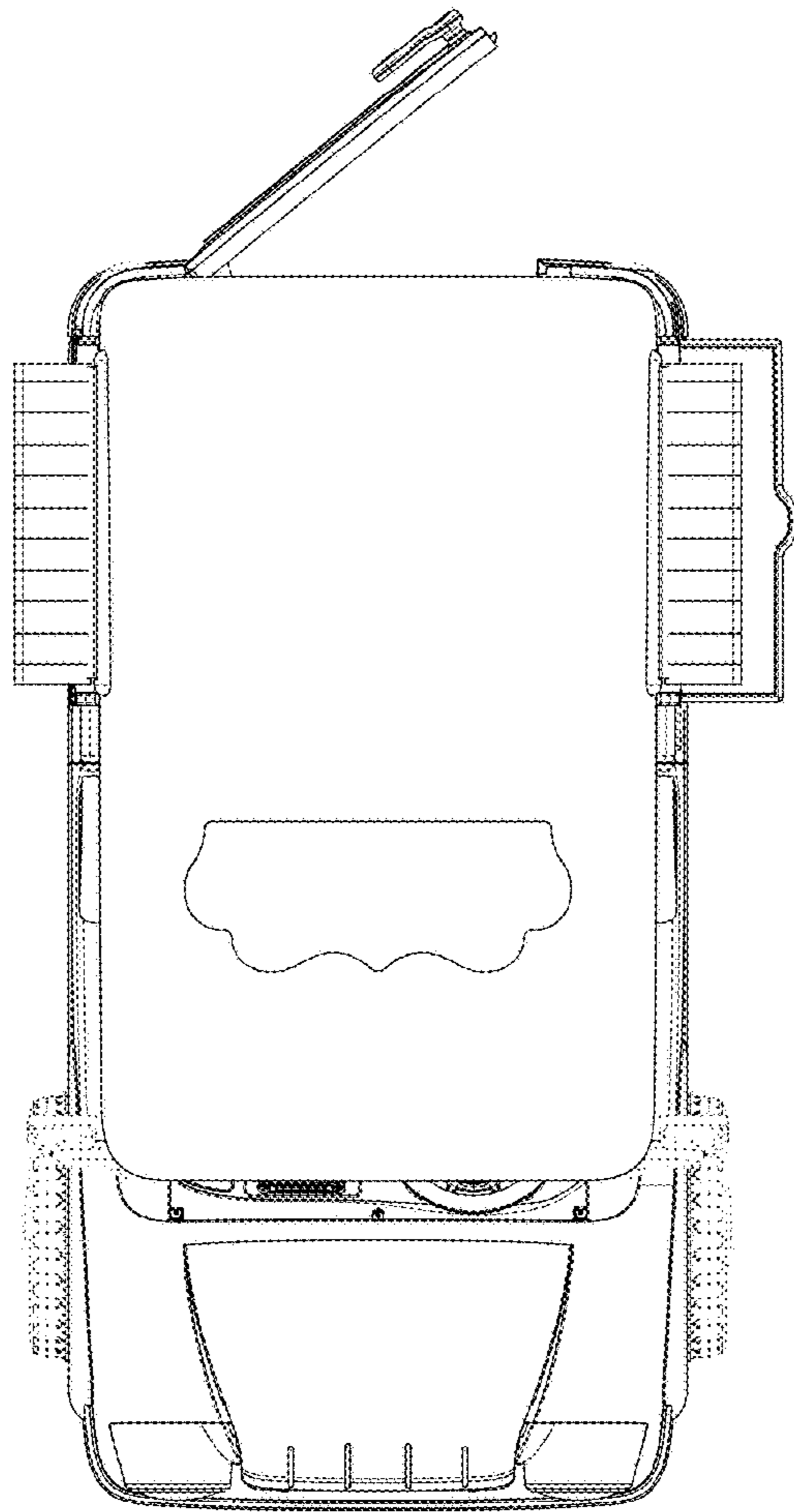


FIG. 14