



US00D861081S

(12) **United States Design Patent** (10) **Patent No.:** **US D861,081 S**
Venancio et al. (45) **Date of Patent:** **** Sep. 24, 2019**

(54) **TOY VEHICLE**

(71) Applicants: **SPIN MASTER LTD.**, Toronto (CA);
G2 INVENTIONS LLC, Lake Geneva,
WI (US)

(72) Inventors: **Cameron Venancio**, Toronto (CA);
Nick Grisolia, Lake Geneva, WI (US);
Peter Greenley, Lake Geneva, WI (US)

(73) Assignees: **SPIN MASTER LTD.**, Toronto (CA);
G2 INVENTIONS LLC, Lake Geneva,
WI (US)

(**) Term: **15 Years**

(21) Appl. No.: **29/637,383**

(22) Filed: **Feb. 16, 2018**

(51) **LOC (12) Cl.** **21-01**

(52) **U.S. Cl.**
USPC **D21/533**

(58) **Field of Classification Search**
USPC D21/533, 537, 539, 548, 561, 562,
D21/578-581; D12/1, 3, 15, 2, 14, 86,
D12/102
CPC A63H 17/00; A63H 17/004; A63H 17/006;
A63H 17/45; A63H 17/26; A63H 17/262;
A63H 17/266; A63H 17/395; A63H
33/003; A63H 33/005
See application file for complete search history.

(56) **References Cited**

U.S. PATENT DOCUMENTS

D165,195 S	*	11/1951	Schlumbohm	296/181.1
D292,604 S	*	11/1987	Seo	D21/578
D293,345 S	*	12/1987	Takizawa	D21/578
D351,508 S	*	10/1994	Bonazza	D6/336
D369,022 S	*	4/1996	Sun	D21/495

D401,407 S	*	11/1998	Bro	D3/271.12
D450,788 S	*	11/2001	Kawasaki	D21/578
D464,090 S	*	10/2002	Hornsby	D21/578
D480,768 S	*	10/2003	Hornsby	D21/578
D490,486 S	*	5/2004	Hornsby	D21/578
D514,391 S	*	2/2006	Miesieski	D7/605
D530,158 S	*	10/2006	Miesieski	D7/605
7,207,860 B2	*	4/2007	Hornsby	A63H 33/00 446/353
D608,158 S	*	1/2010	Beal	D7/605
D733,001 S	*	6/2015	Itou	D12/86
D804,585 S	*	12/2017	Belker	D21/562
D818,397 S	*	5/2018	Makela	D12/86
D821,265 S	*	6/2018	Makela	D12/86

* cited by examiner

Primary Examiner — Cynthia M. Chin

(74) *Attorney, Agent, or Firm* — Millman IP Inc.

(57) **CLAIM**

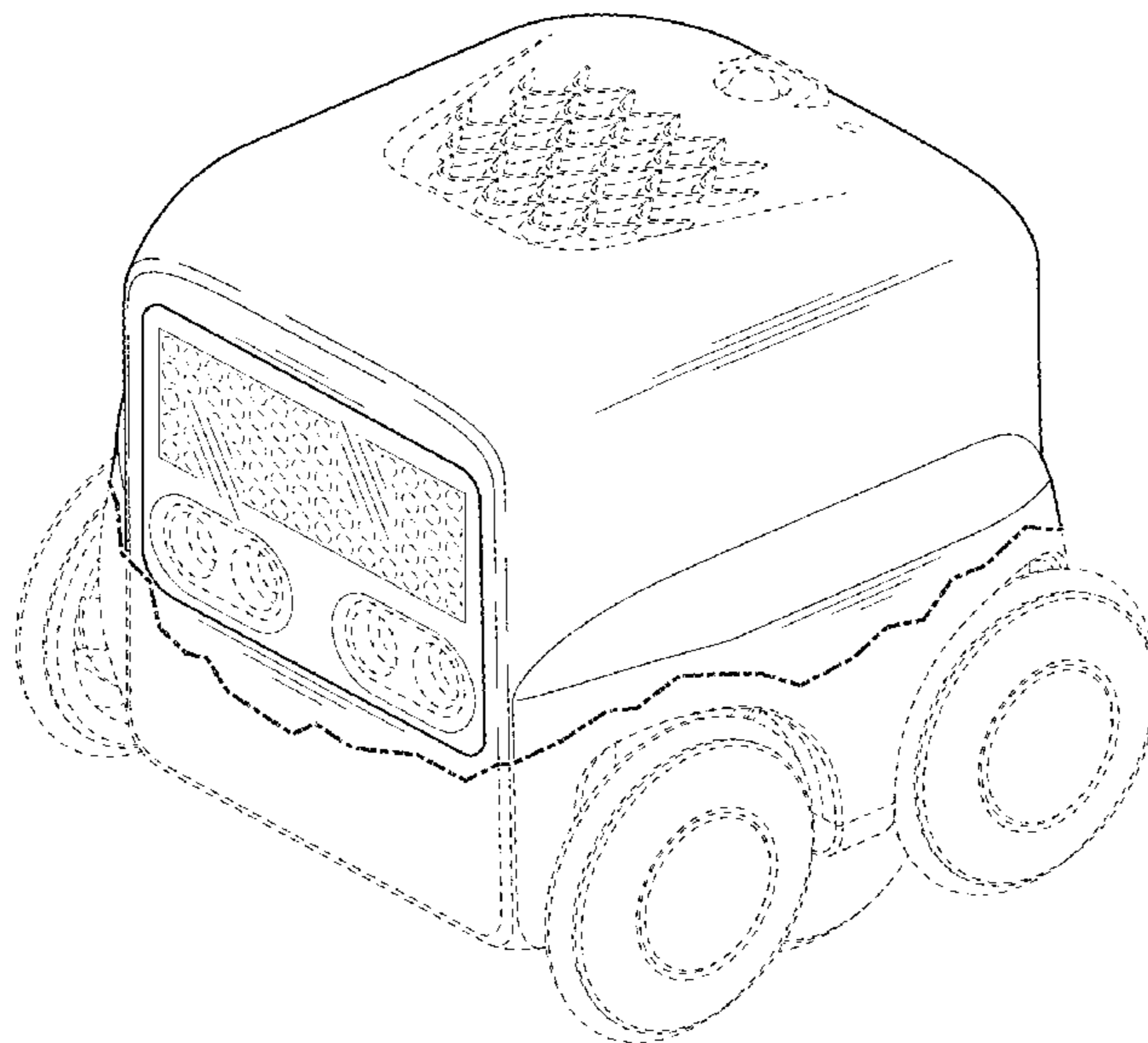
The design for a toy vehicle, as shown and described.

DESCRIPTION

FIG. 1 is a front elevation view of a new design for a toy vehicle;
 FIG. 2 is a rear elevation view thereof;
 FIG. 3 is a left side elevation view thereof;
 FIG. 4 is a right side elevation view thereof;
 FIG. 5 is a top plan view thereof;
 FIG. 6 is a bottom plan view thereof;
 FIG. 7 is a perspective view from above, to the front, and to the left side thereof; and,
 FIG. 8 is a perspective view from below, to the rear, and to the right side thereof.

The broken lines shown are included for the purpose of illustrating portions of the article which form no part of the claimed design. The dash-dot broken lines immediately adjacent the shaded areas represent the bounds of the claim which form no part of the claimed design.

1 Claim, 8 Drawing Sheets



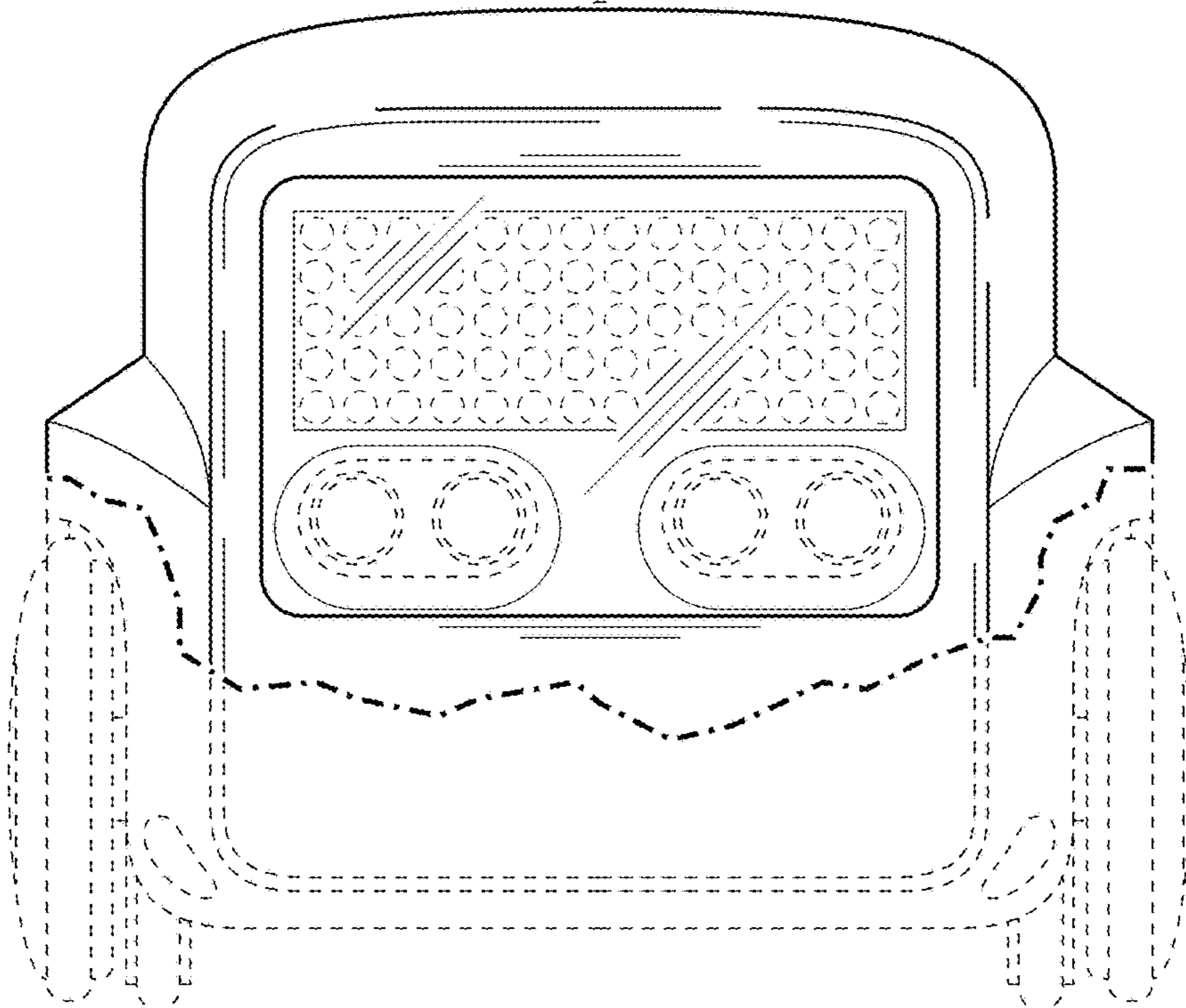


FIG. 1

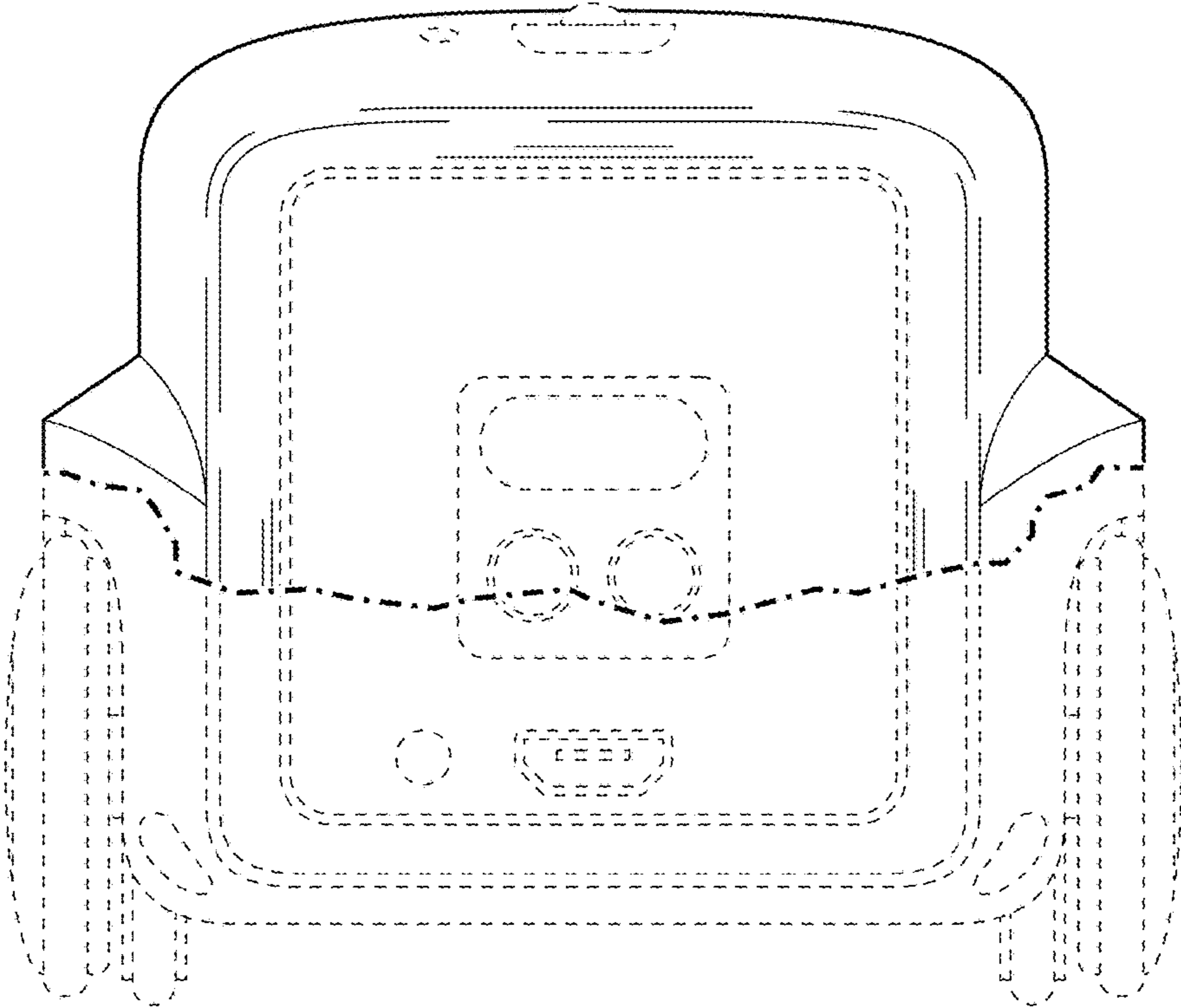


FIG. 2

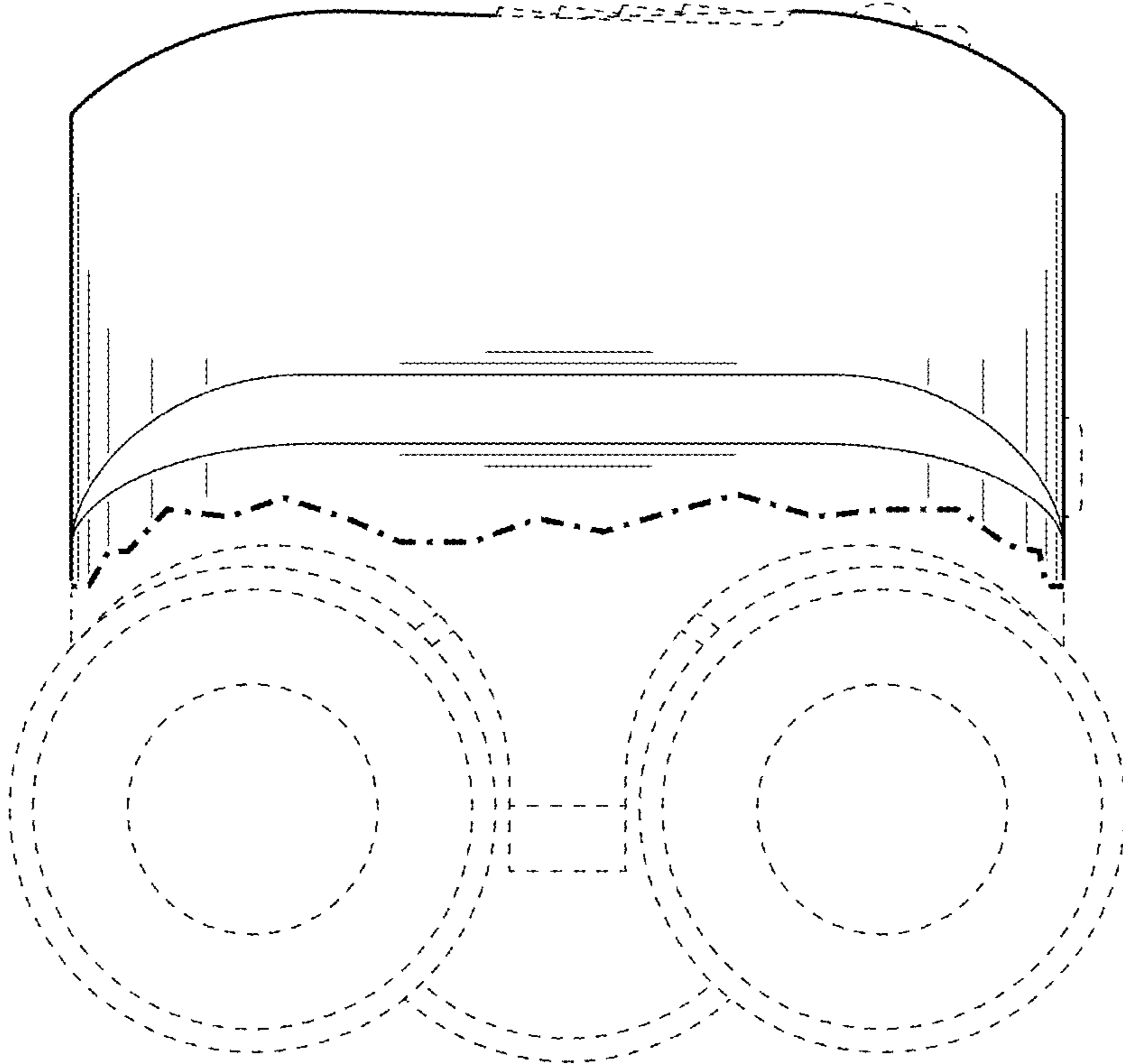


FIG. 3

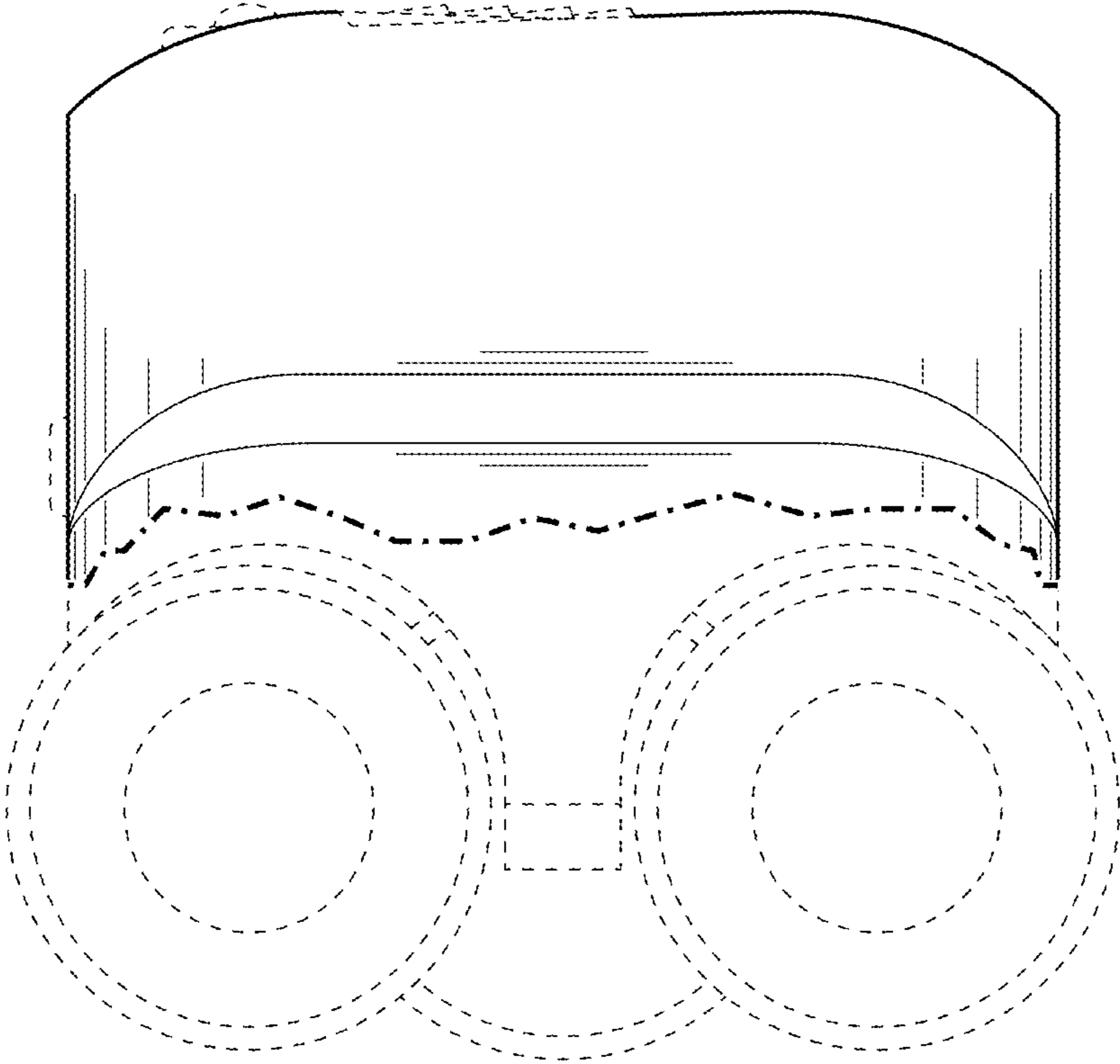


FIG. 4

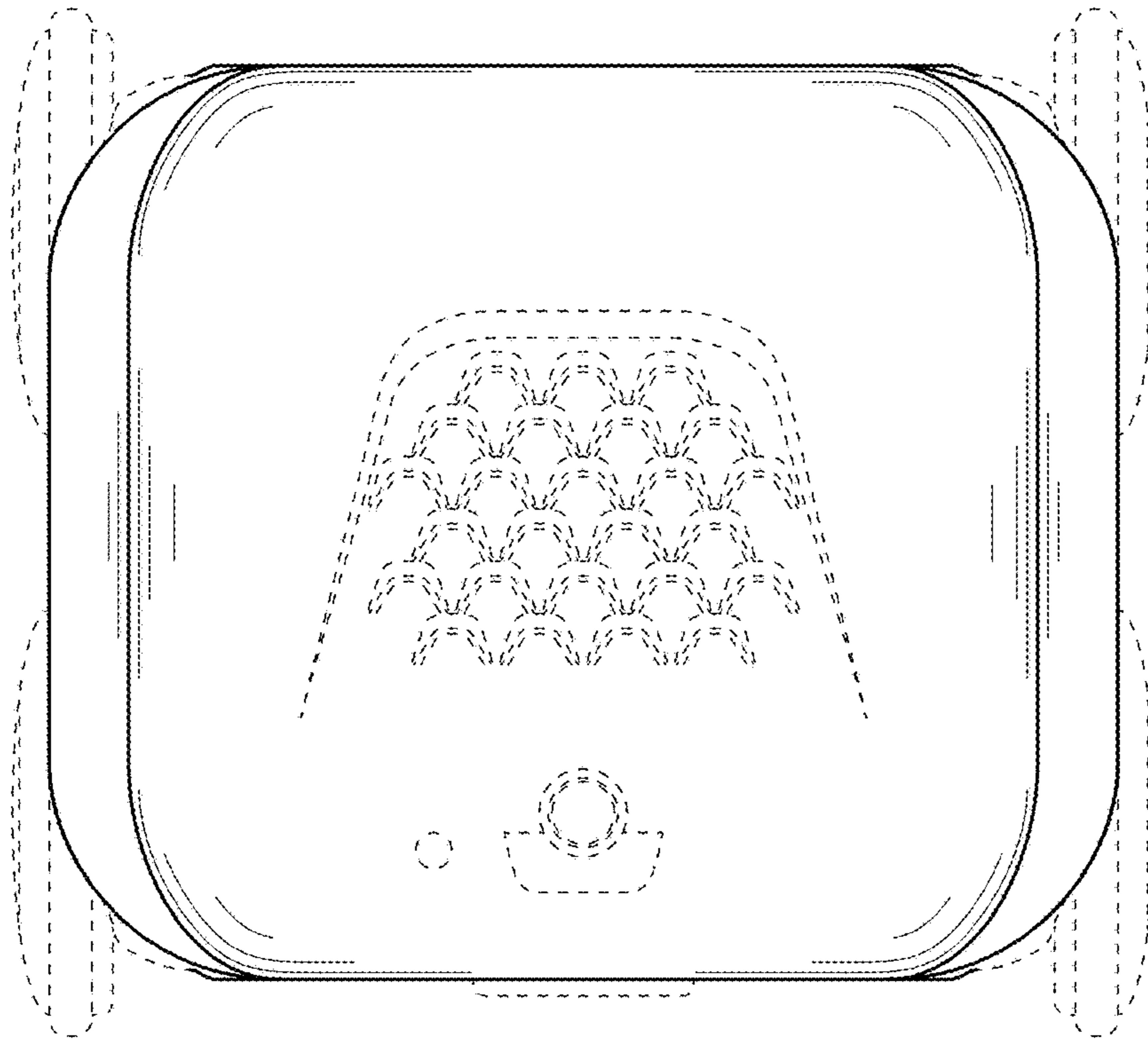


FIG. 5

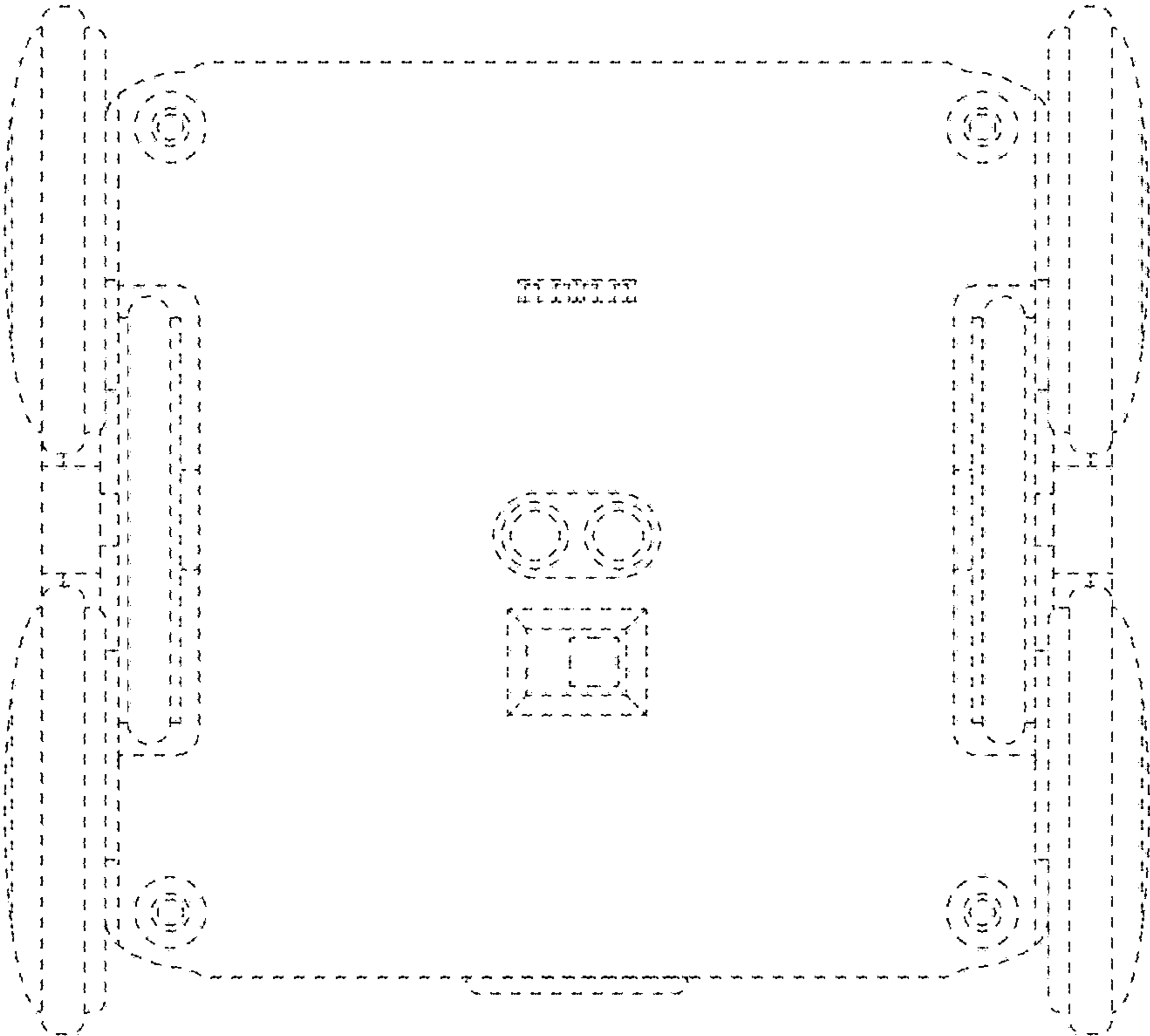


FIG. 6

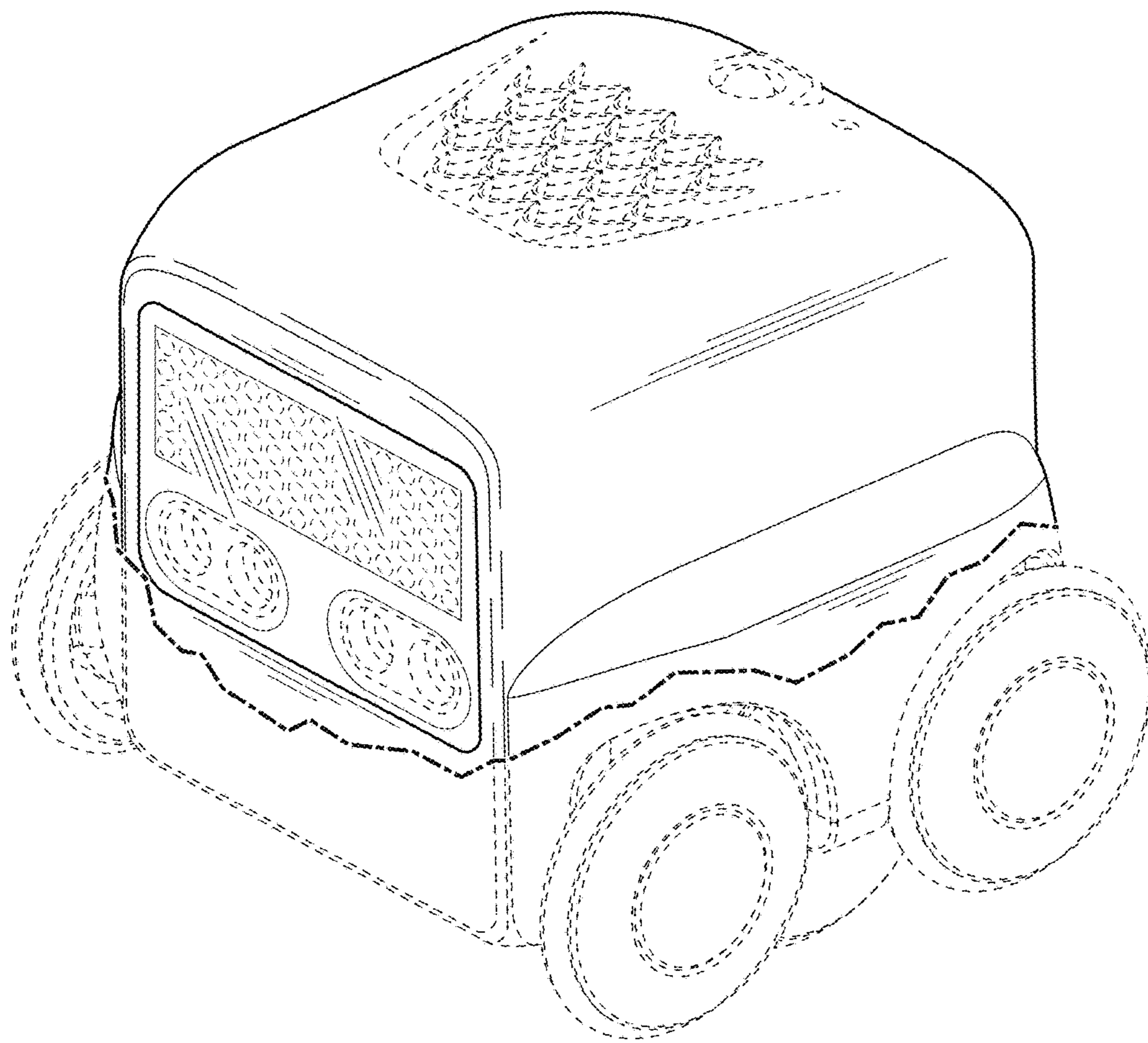


FIG. 7

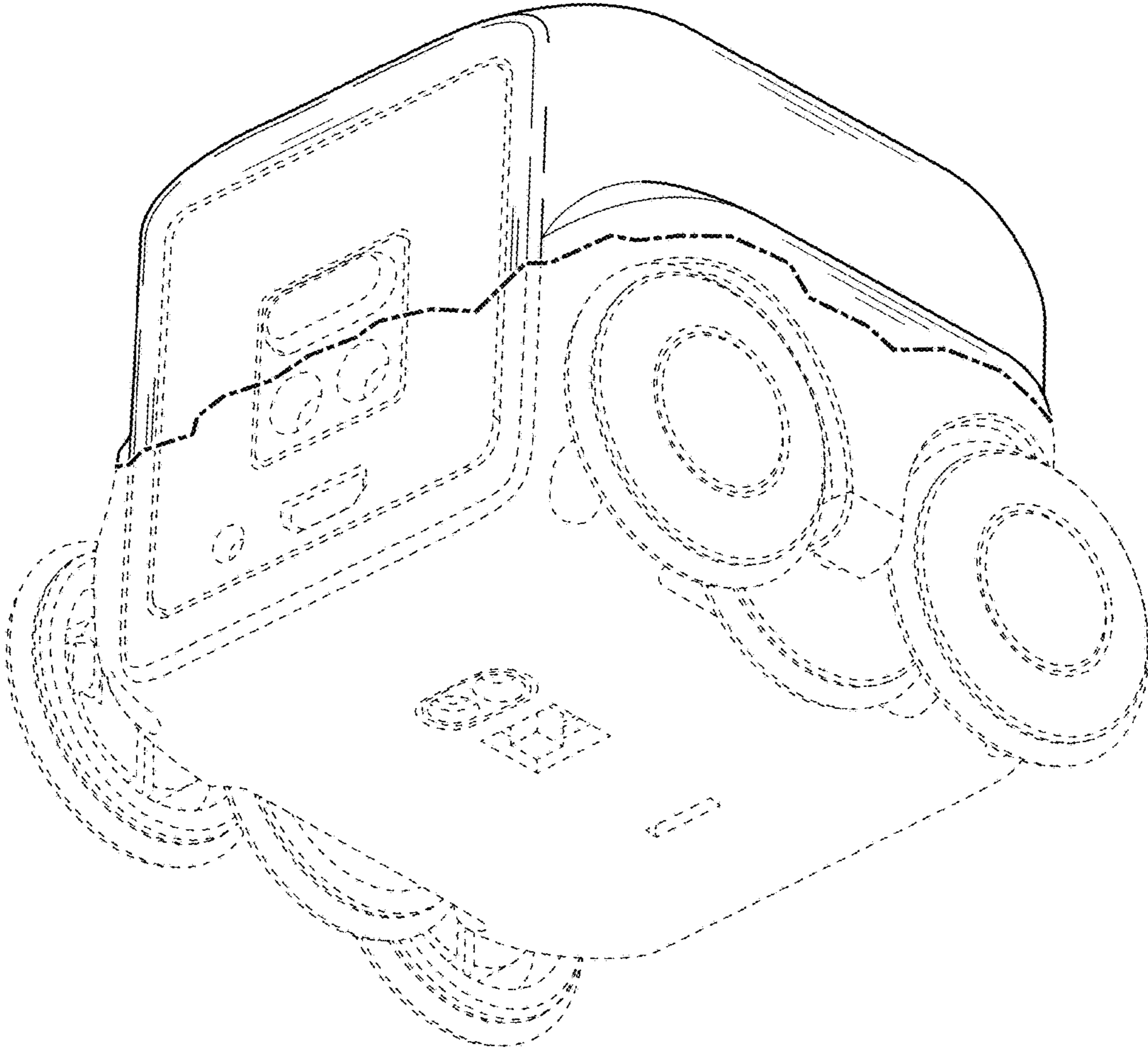


FIG. 8