



US00D861079S

(12) **United States Design Patent**
Matsukawa

(10) **Patent No.:** **US D861,079 S**

(45) **Date of Patent:** **** Sep. 24, 2019**

(54) **SPINNING TOP TOY**

DESCRIPTION

(71) Applicant: **TOMY COMPANY, LTD.**, Tokyo (JP)

(72) Inventor: **Hiroyuki Matsukawa**, Tokyo (JP)

(73) Assignee: **TOMY COMPANY, LTD.**, Tokyo (JP)

(**) Term: **15 Years**

(21) Appl. No.: **29/505,899**

(22) Filed: **Mar. 31, 2016**

(30) **Foreign Application Priority Data**

Dec. 21, 2015 (JP) 2015-028368

(51) **LOC (12) Cl.** **21-01**

(52) **U.S. Cl.**
USPC **D21/460**

(58) **Field of Classification Search**
USPC D21/436, 441, 443, 444, 455, 460-464;
446/236-266

(Continued)

(56) **References Cited**

U.S. PATENT DOCUMENTS

D608,842 S * 1/2010 Nishimoto D21/460
D615,134 S * 5/2010 Nishimoto D21/460

(Continued)

FOREIGN PATENT DOCUMENTS

CN 3262744 * 11/2002
CN 3584728 * 11/2006

(Continued)

Primary Examiner — Catherine A Tuttle

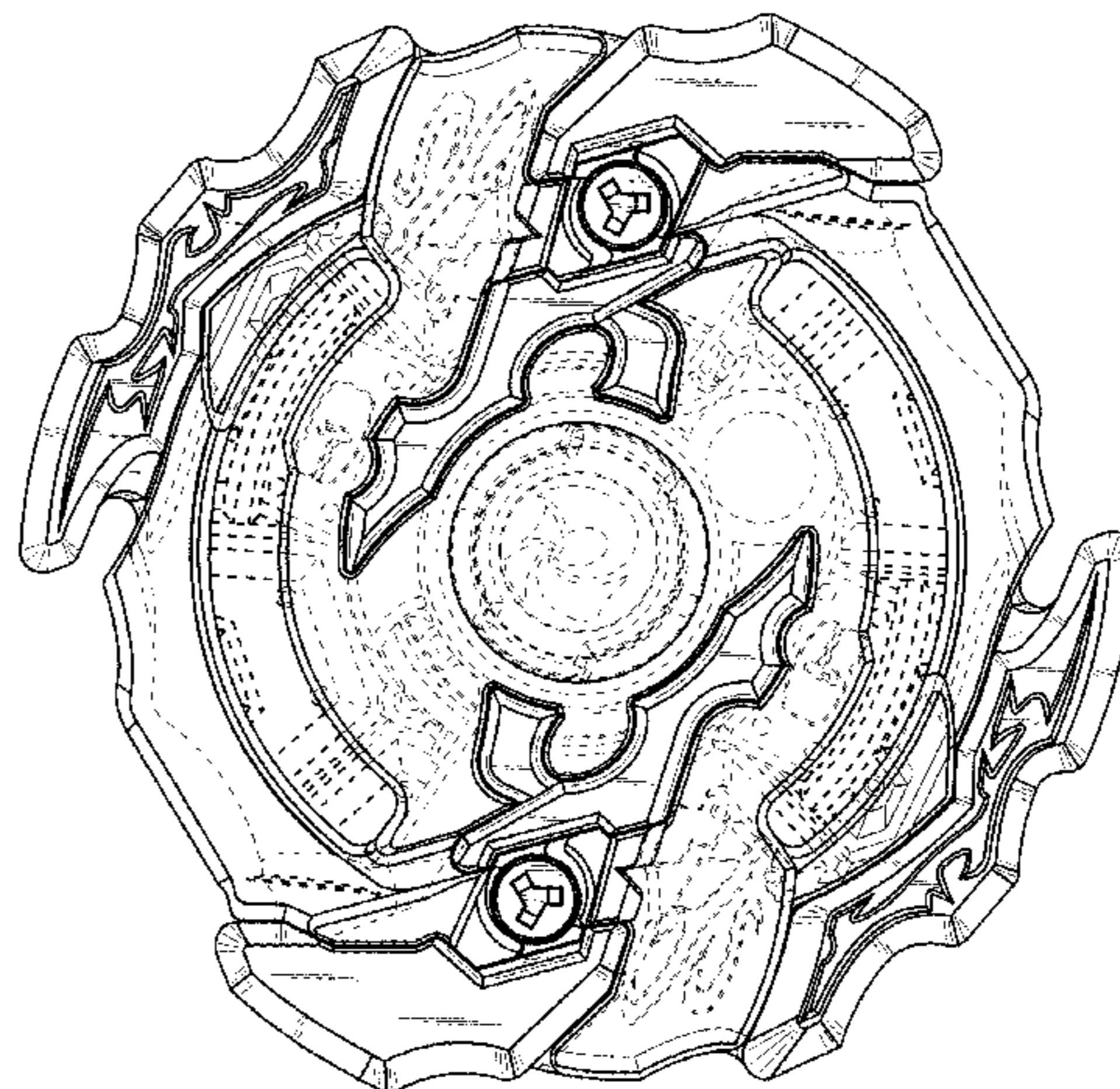
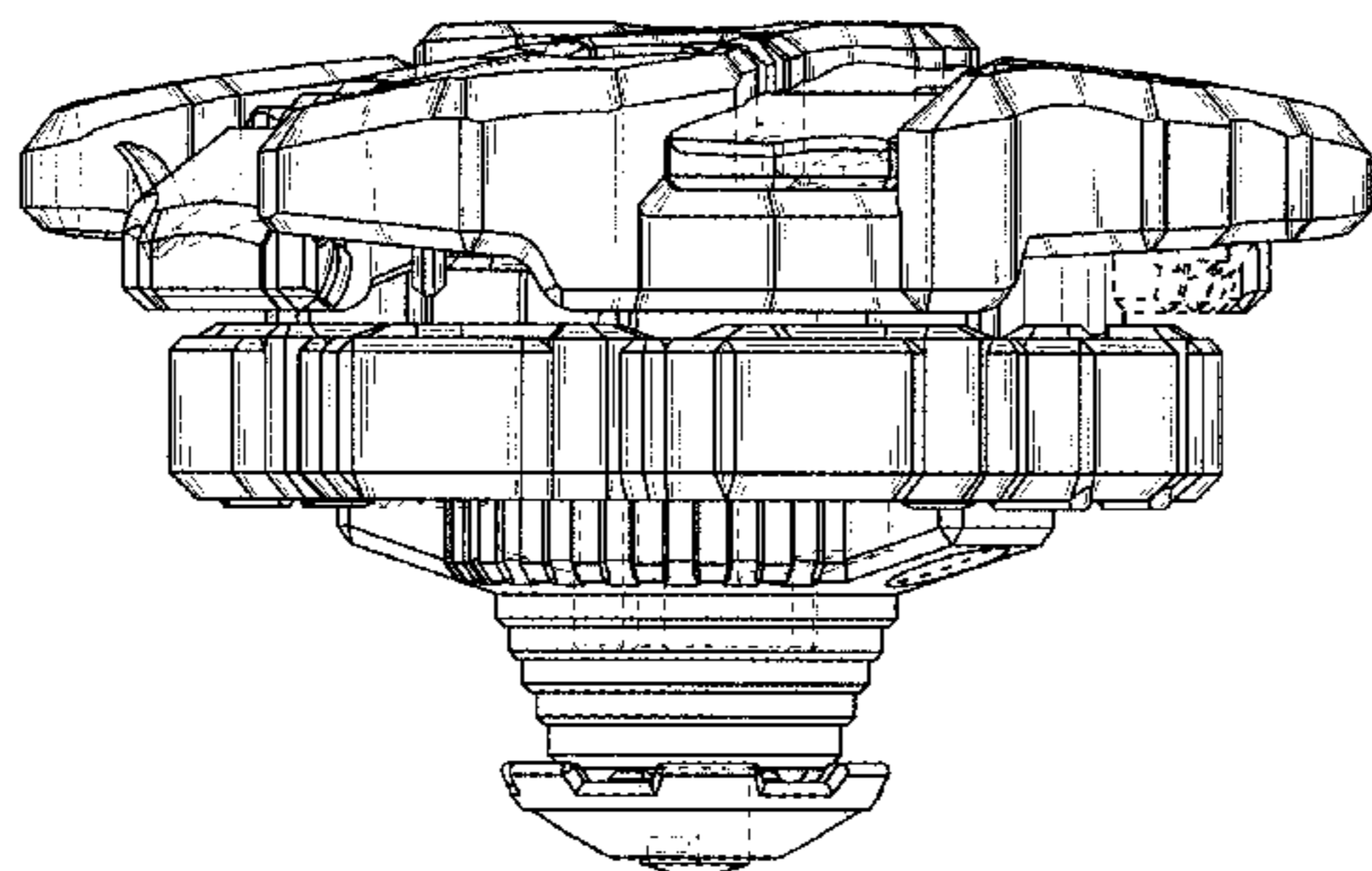
(74) *Attorney, Agent, or Firm* — Staas & Halsey LLP

(57) **CLAIM**

The ornamental design for a spinning top toy, as shown and described.

FIG. 1 is a front view of the spinning top toy showing our design;
FIG. 2 is a left side view thereof;
FIG. 3 is a rear view thereof;
FIG. 4 is right side view thereof;
FIG. 5 is a top view thereof;
FIG. 6 is a bottom view thereof;
FIG. 7 is a perspective view thereof;
FIG. 8 is a front elevational view of the transparent portion of the design shown in isolation for clarity of disclosure;
FIG. 9 is a top plan view of the top surface of the transparent portion shown in isolation for clarity of disclosure.
FIG. 10 is a front view of the spinning top toy, corresponding to FIG. 1 but showing contour shading to the exterior parts and with the interior parts omitted;
FIG. 11 is a left side view thereof corresponding to FIG. 2 but showing contour shading to the exterior parts and with the interior parts omitted;
FIG. 12 is a rear view thereof corresponding to FIG. 3 but showing contour shading to the exterior parts and with the interior parts omitted;
FIG. 13 is right side view thereof corresponding to FIG. 4 but showing contour shading to the exterior parts and with the interior parts omitted;
FIG. 14 is a top view thereof corresponding to FIG. 5 but showing contour shading to the exterior parts and with the interior parts omitted;
FIG. 15 is a bottom view thereof corresponding to FIG. 6 but showing contour shading to the exterior parts and with the interior parts omitted;
FIG. 16 is a perspective view thereof corresponding to FIG. 7 but showing contour shading to the exterior parts and with the interior parts omitted;
FIG. 17 is a front elevational view corresponding to FIG. 8, but showing contour shading to the exterior parts and with the interior parts omitted; and,
FIG. 18 is a top plan view corresponding to FIG. 9, but showing contour shading.
The broken lines depict portions of the spinning top toy that form no part of the claimed design.

1 Claim, 18 Drawing Sheets



US D861,079 S

Page 2

(58) **Field of Classification Search**
CPC A63H 1/00-32; A63F 9/16
See application file for complete search history.

2003/0064660 A1* 4/2003 Matsukawa A63F 3/00895
446/256
2009/0253504 A1* 10/2009 Nishimoto A63F 9/16
463/31
2015/0017872 A1* 1/2015 Choi A63H 1/02
446/259

(56) **References Cited**

U.S. PATENT DOCUMENTS

D629,468 S * 12/2010 Ujita D21/460
D629,469 S * 12/2010 Nishimoto D21/460
D629,847 S * 12/2010 Ujita D21/460
D629,848 S * 12/2010 Ujita D21/460
D639,348 S * 6/2011 Ujita D21/460
D639,869 S * 6/2011 Nishimoto D21/460
D660,918 S * 5/2012 Ujita D21/460
D665,858 S * 8/2012 Horikoshi D21/460
D665,859 S * 8/2012 Horikoshi D21/460
D666,252 S * 8/2012 Ujita D21/460
D666,253 S * 8/2012 Ujita D21/460
D834,102 S * 11/2018 Muraki D21/460

FOREIGN PATENT DOCUMENTS

CN 300819268 * 8/2008
CN 300846669 * 11/2008
CN 300894181 * 3/2009
CN 301029839 * 9/2009
CN 302143915 * 10/2012
CN 303533299 * 12/2015
CN 303533301 * 12/2015
JP 3160657 U * 7/2010 A63H 1/00
JP D1531577 * 8/2015
WO WO-2010151017 A2 * 12/2010 A63H 1/02

* cited by examiner

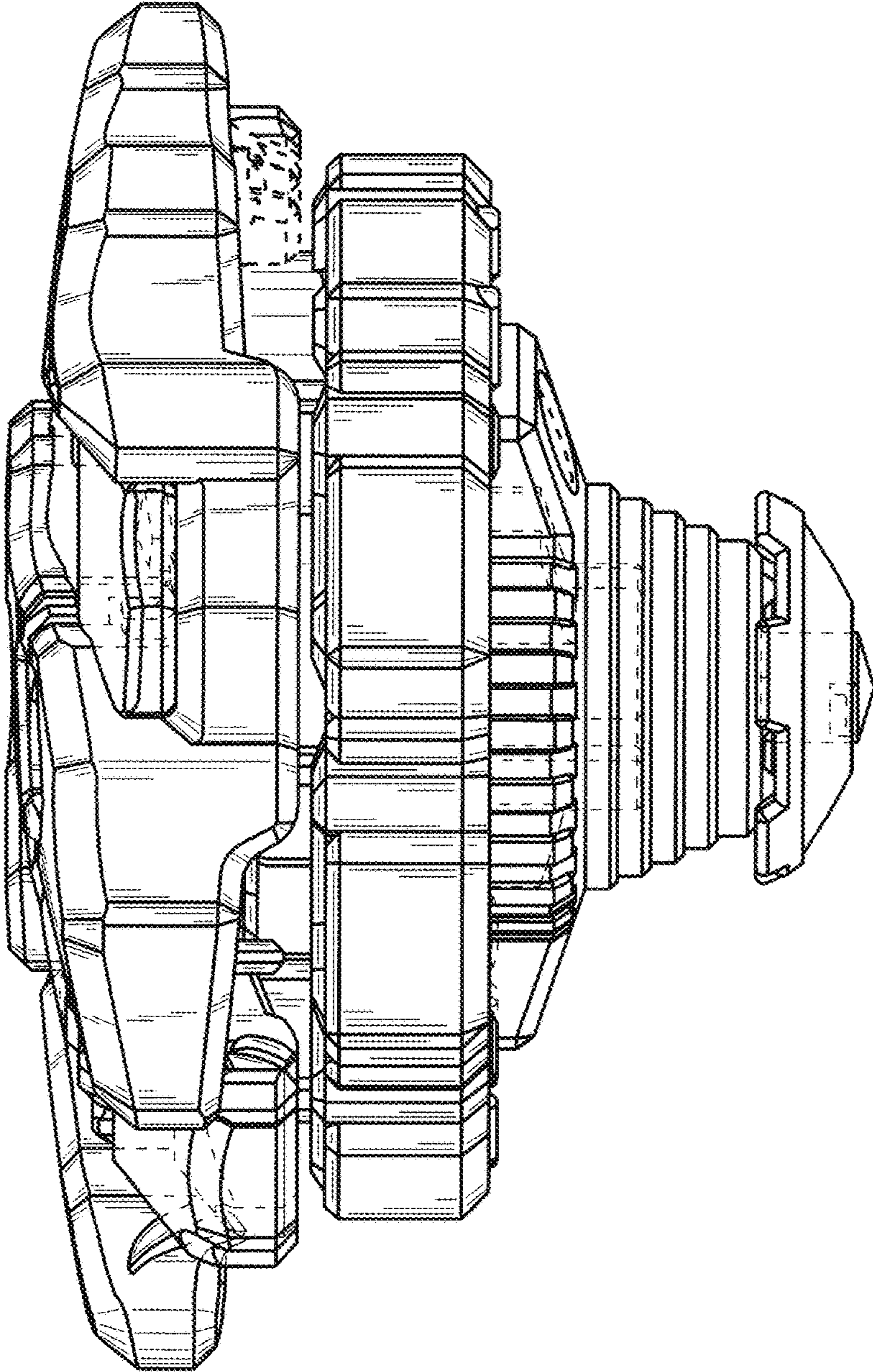


FIG. 1

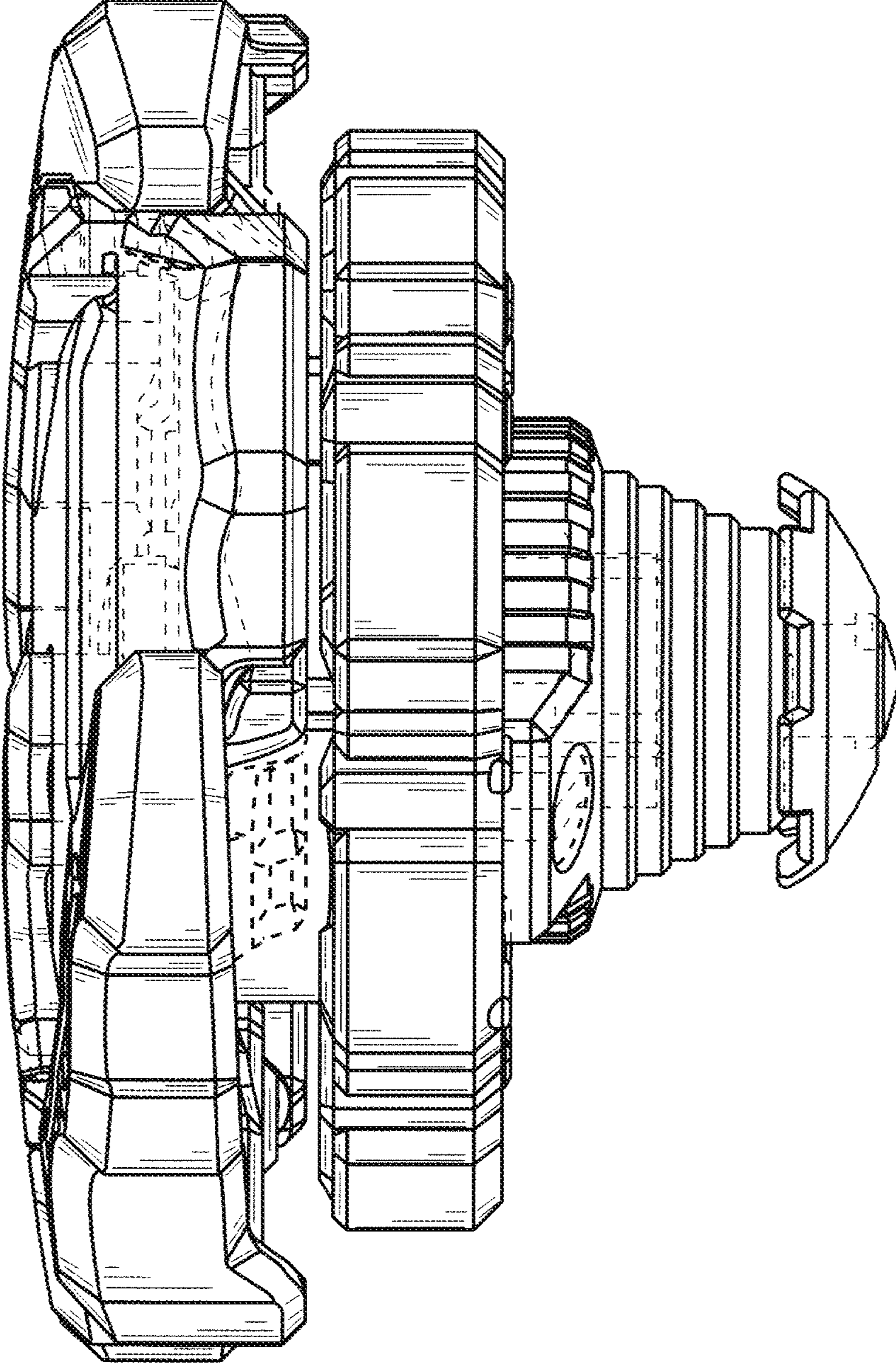


FIG. 2

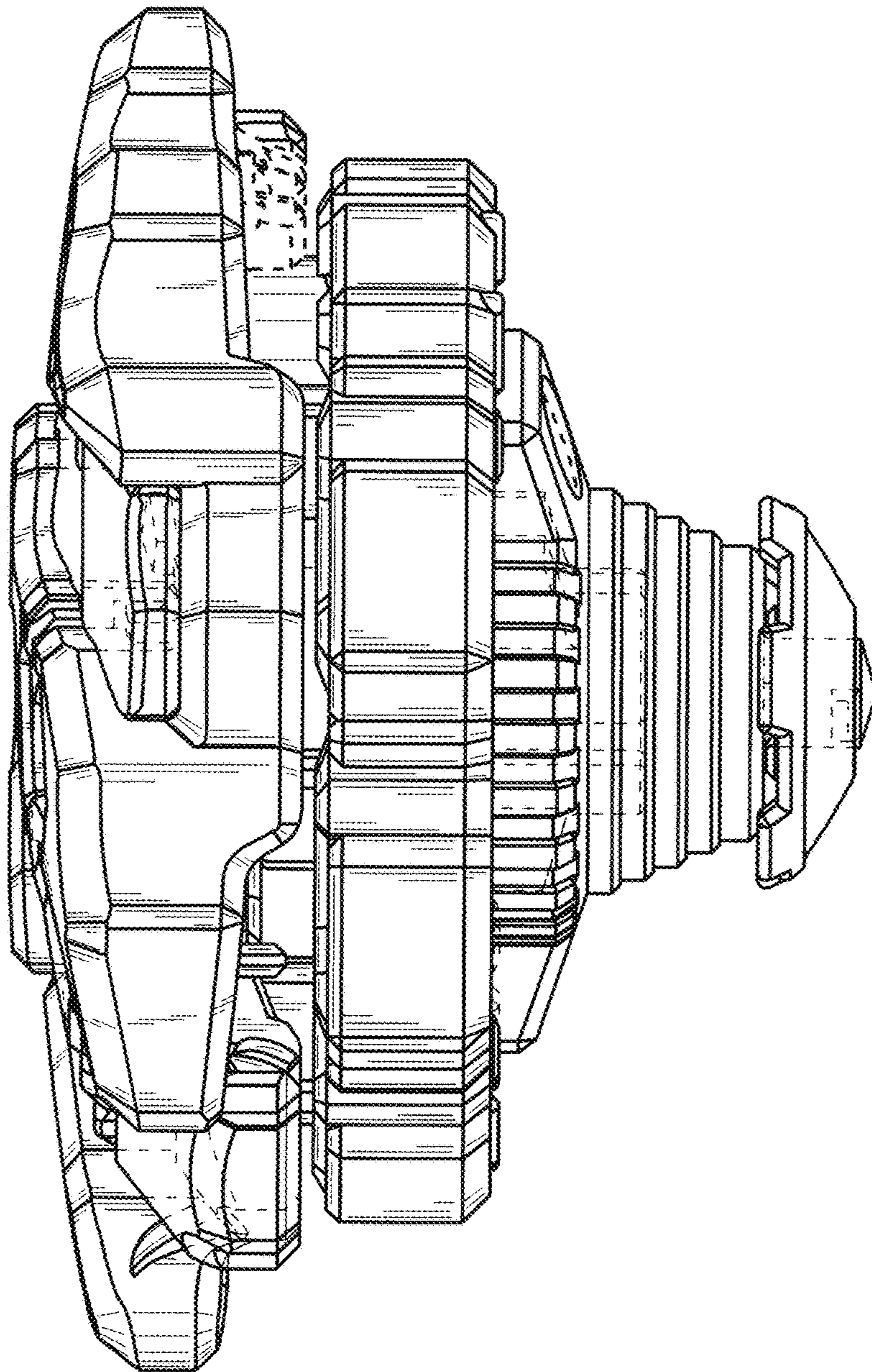


FIG. 3

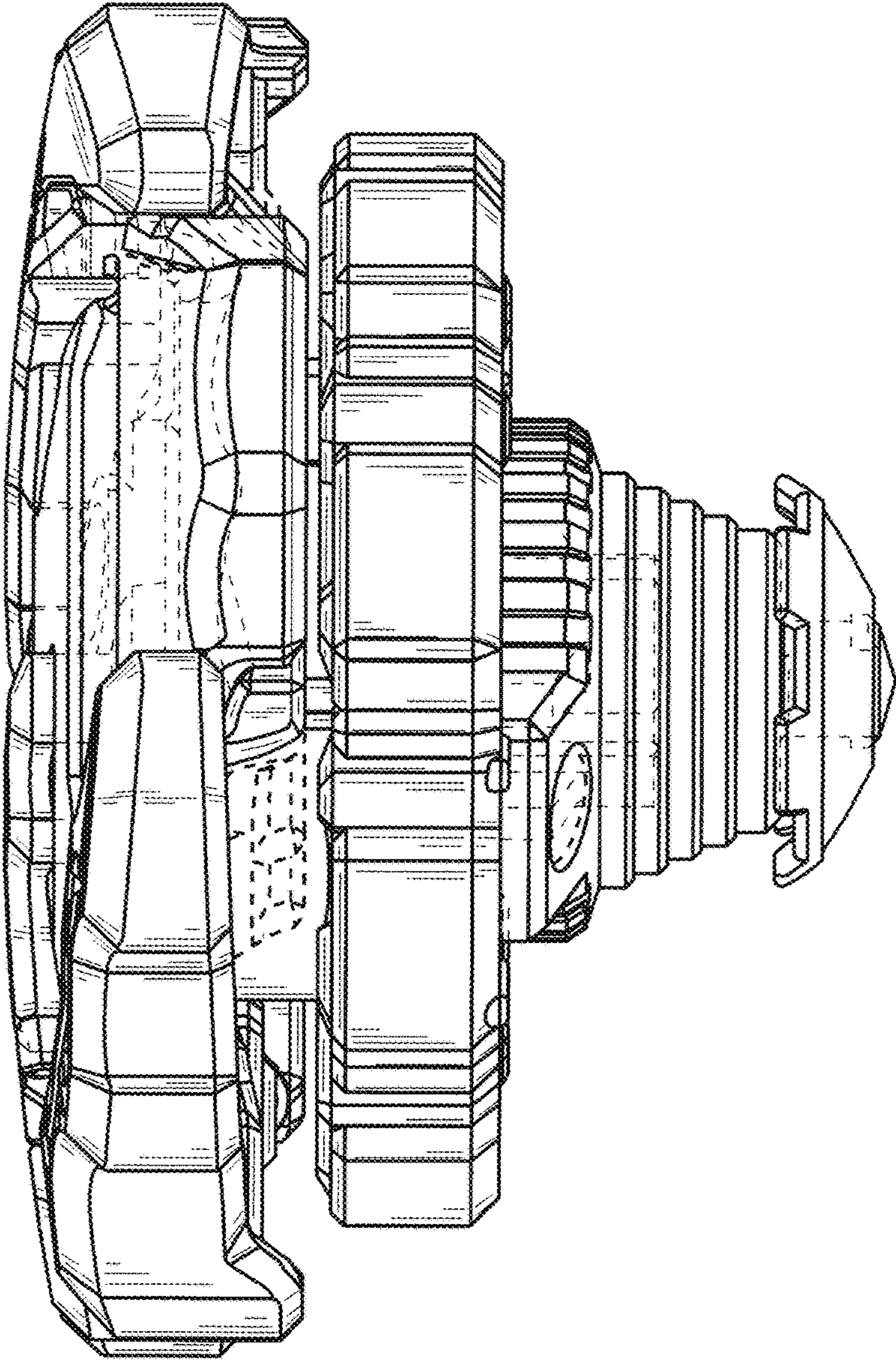


FIG. 4

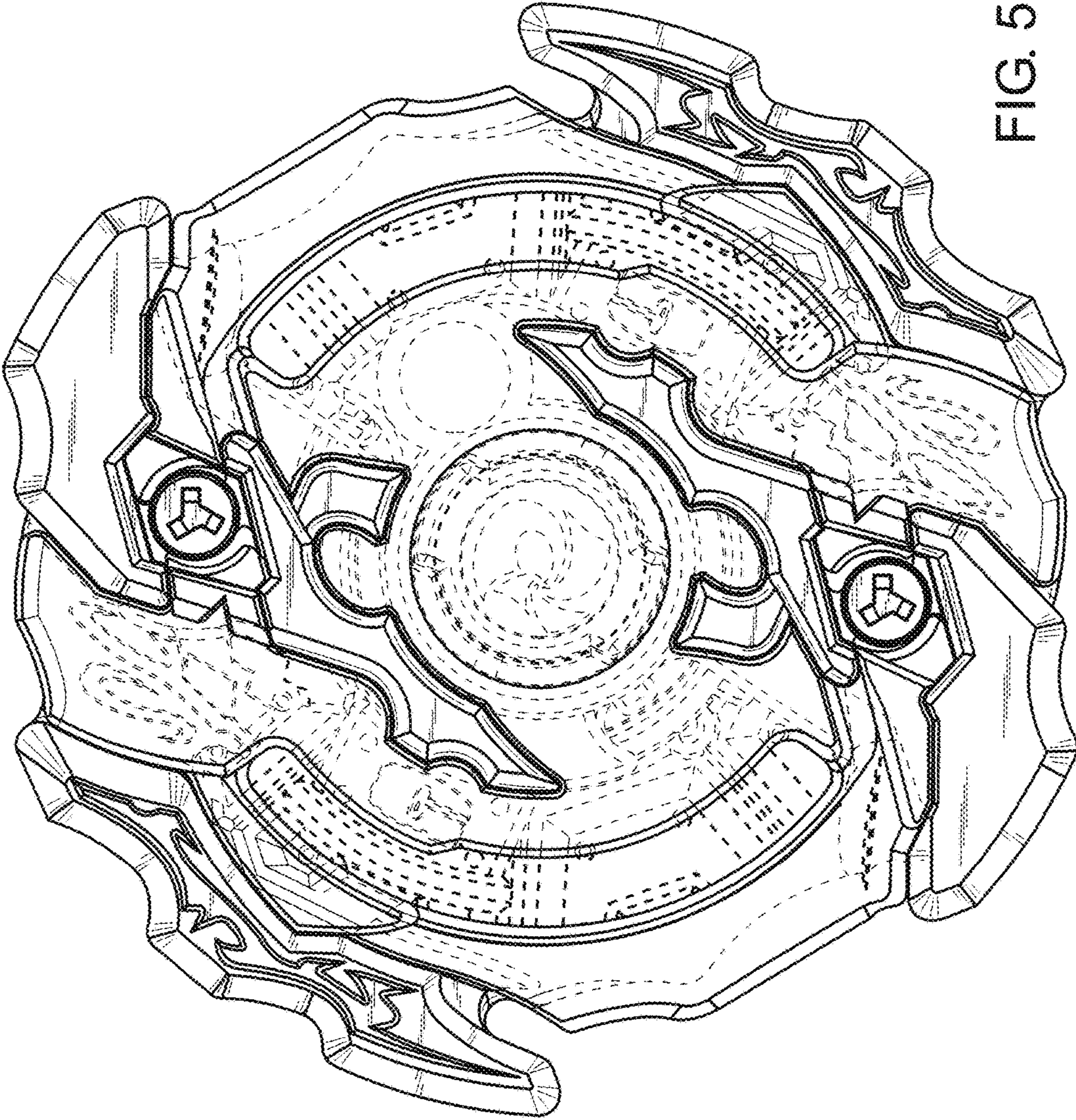


FIG. 5

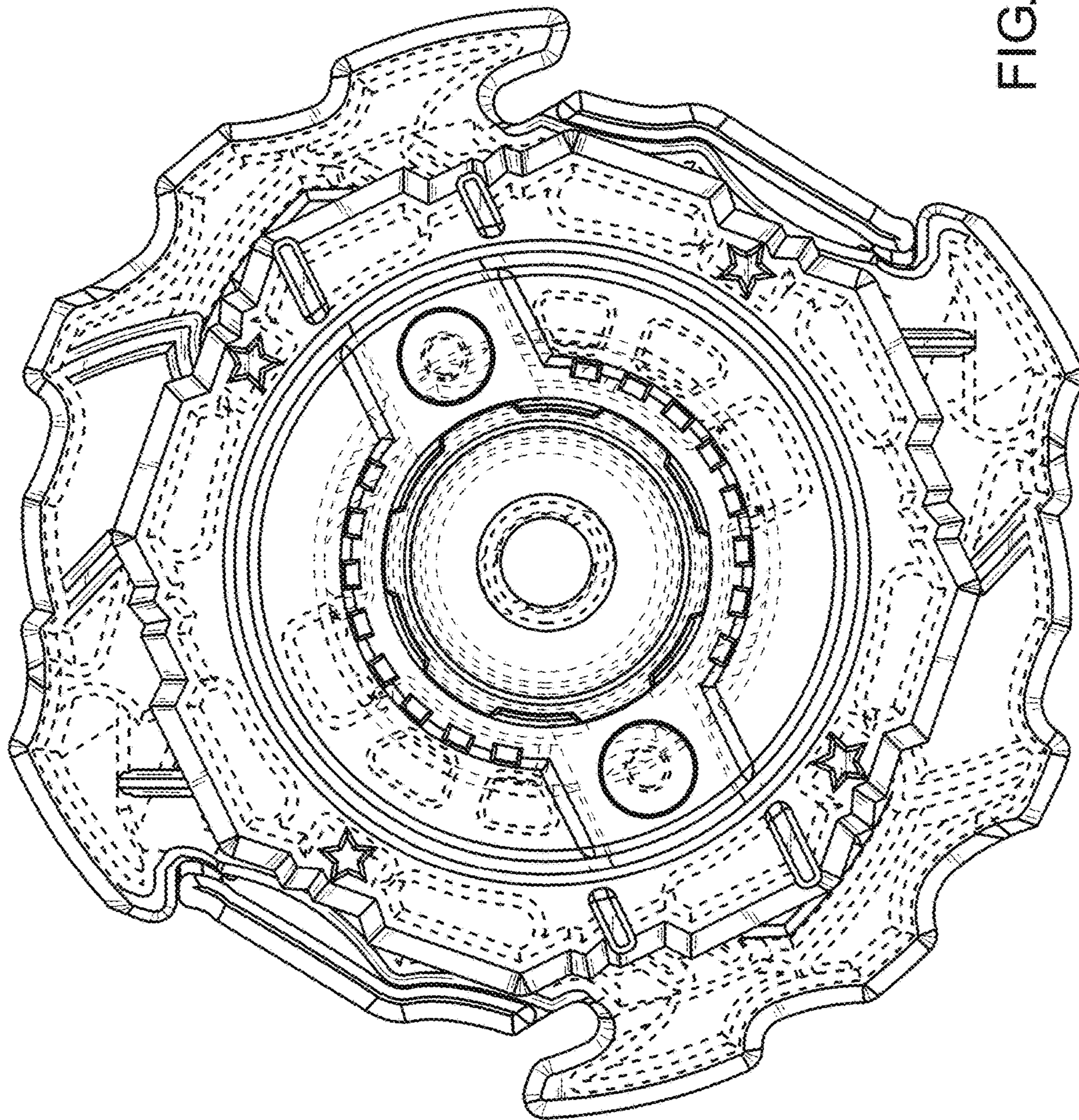


FIG. 6

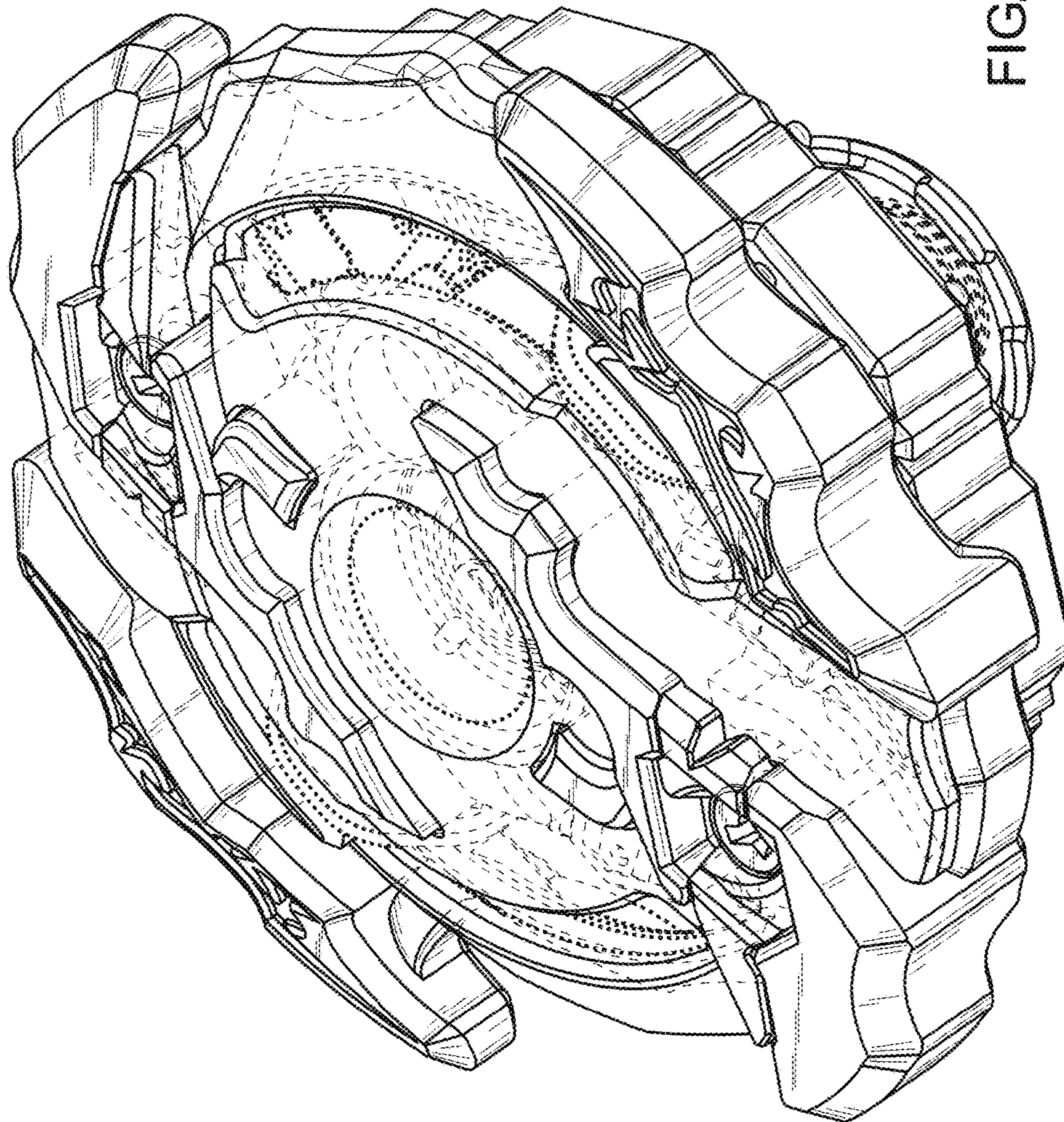


FIG. 7

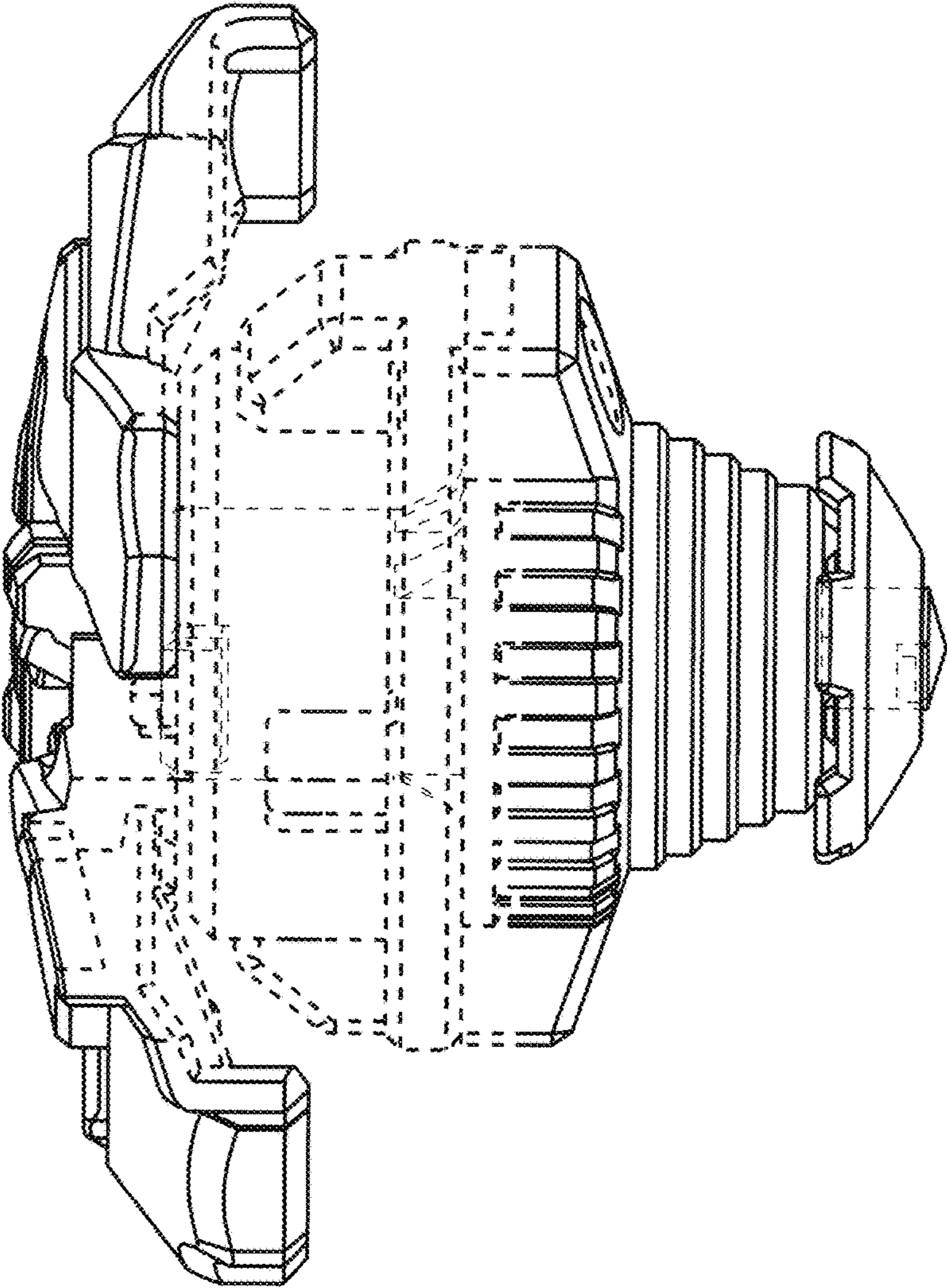


FIG. 8

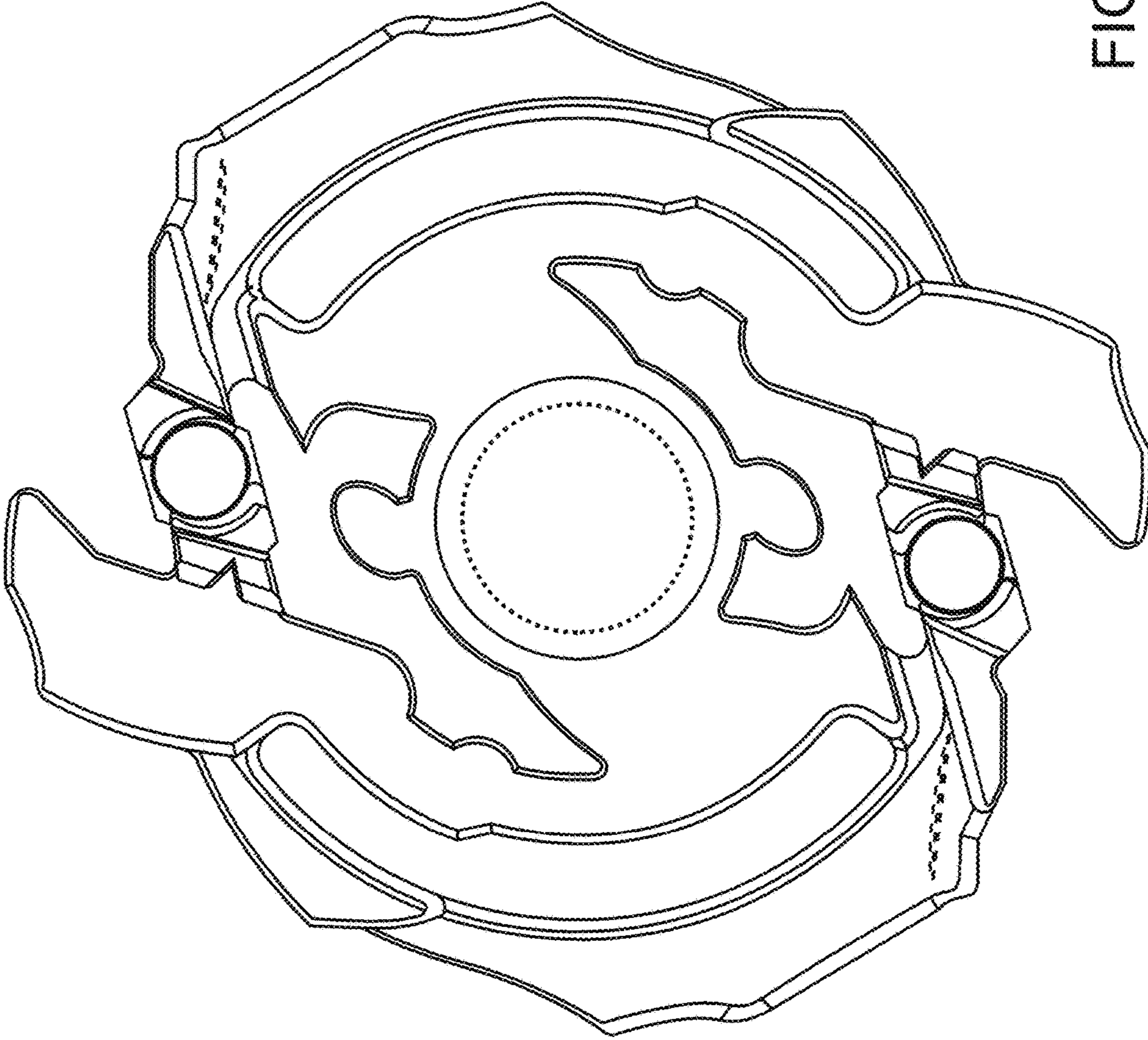


FIG. 9

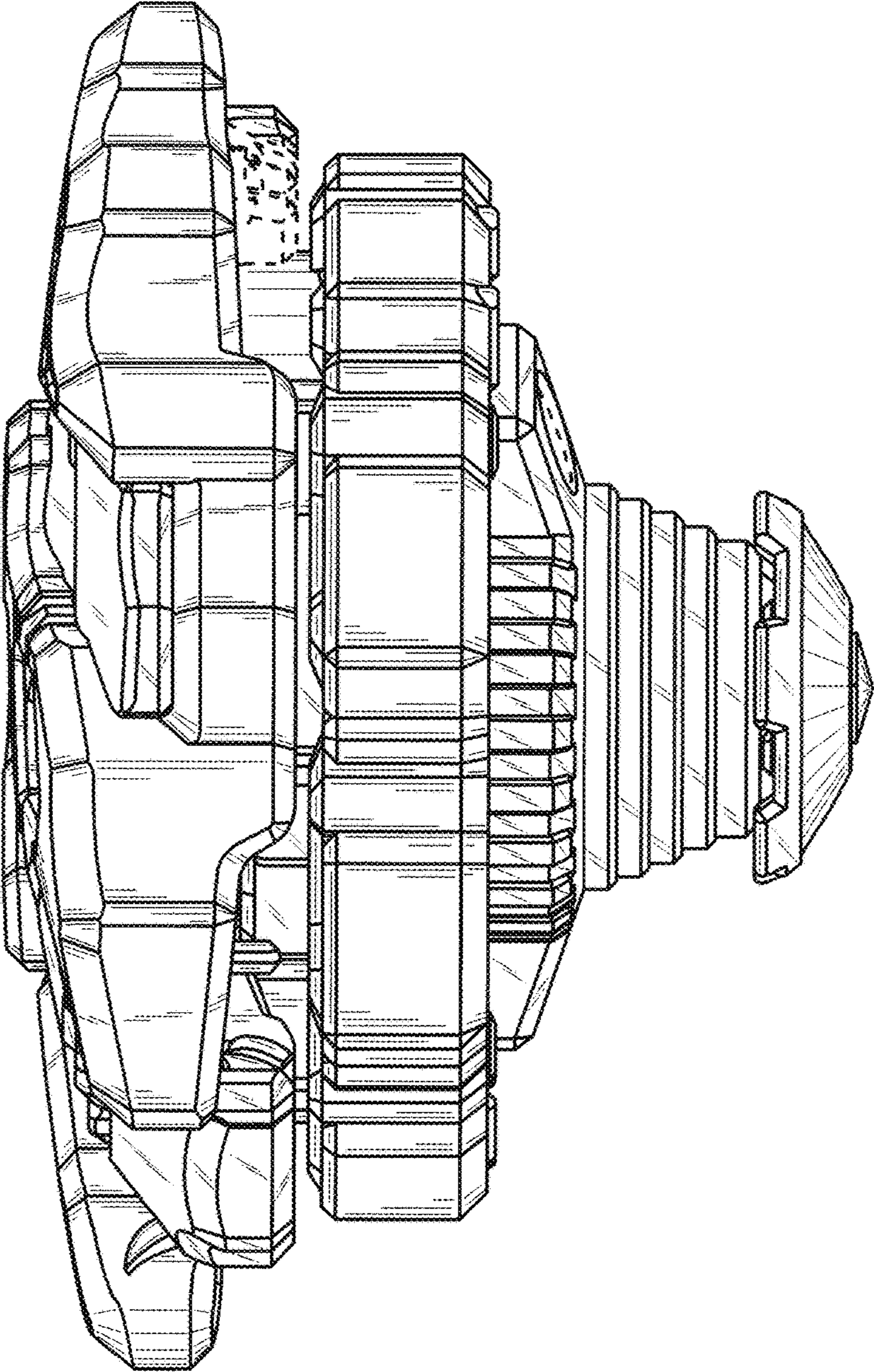


FIG. 10

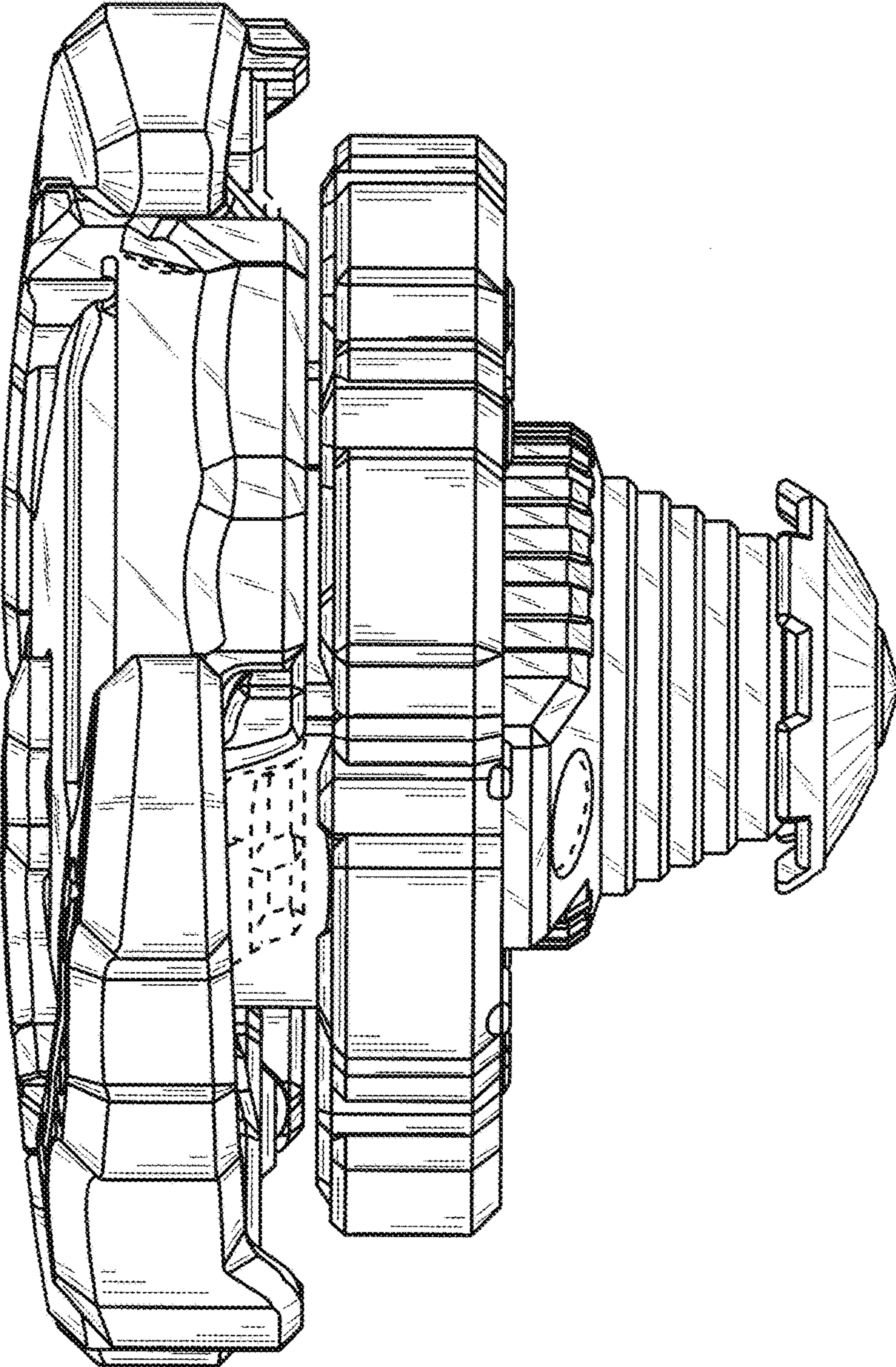


FIG. 11

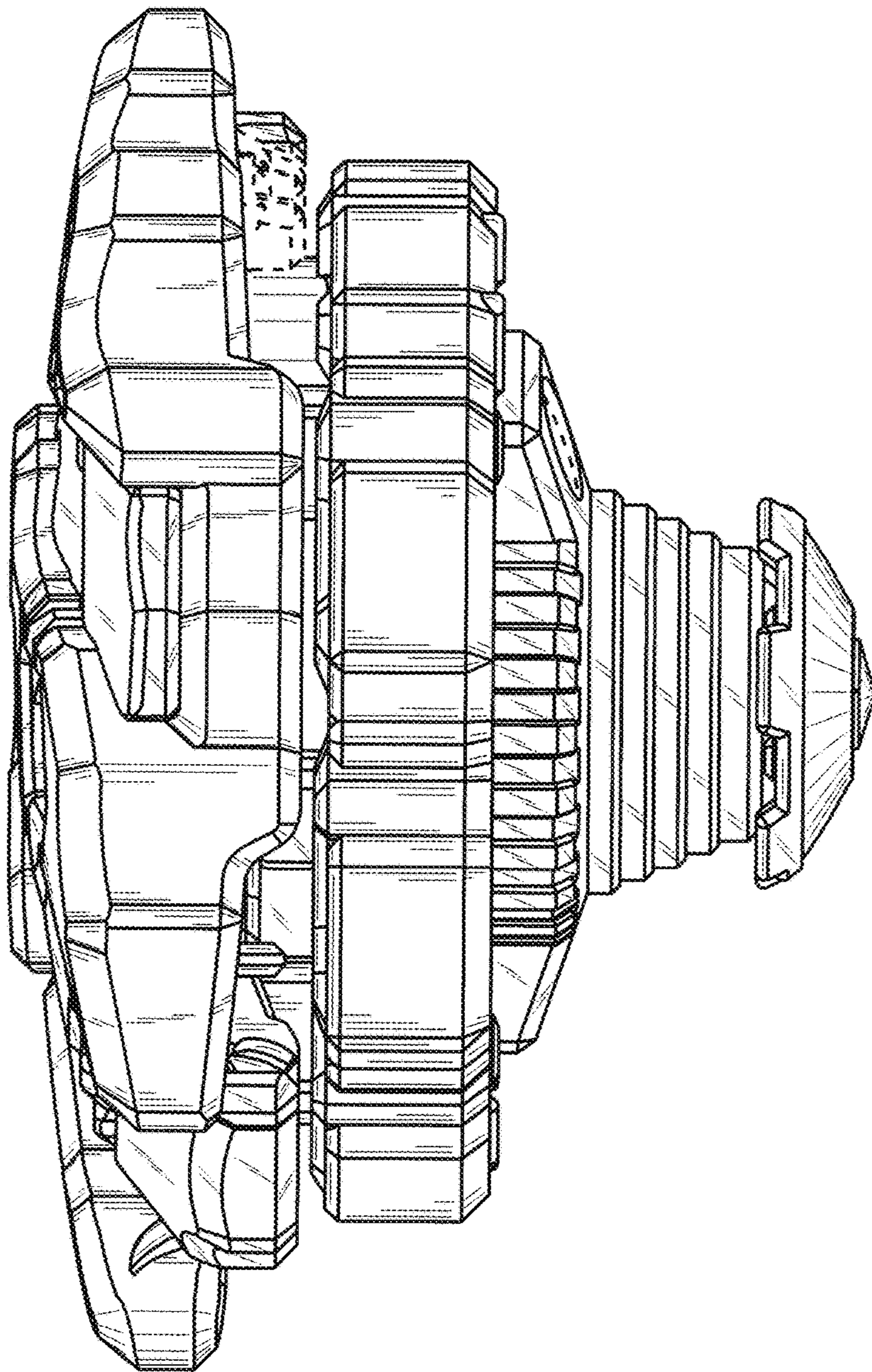


FIG. 12

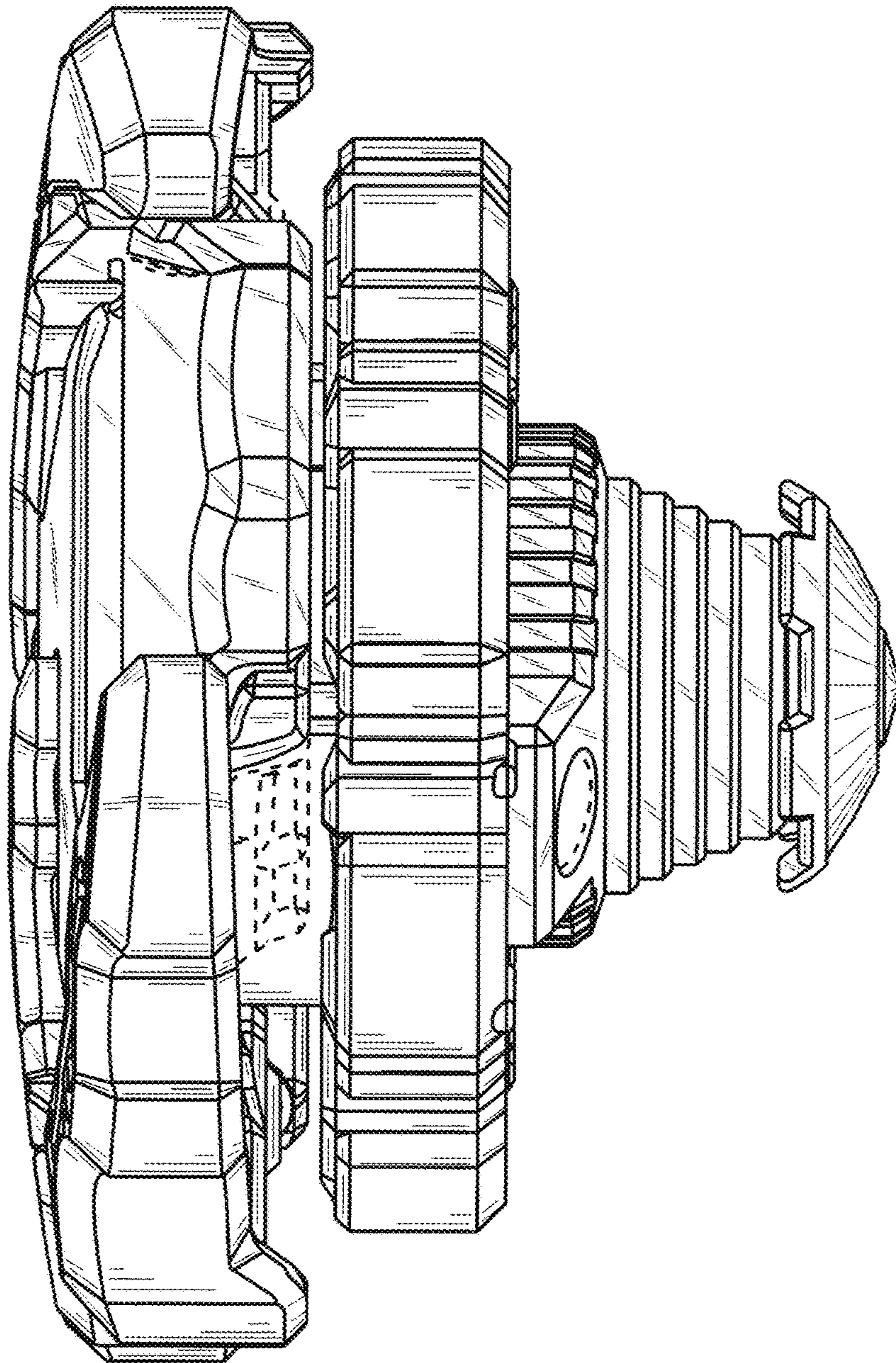


FIG. 13

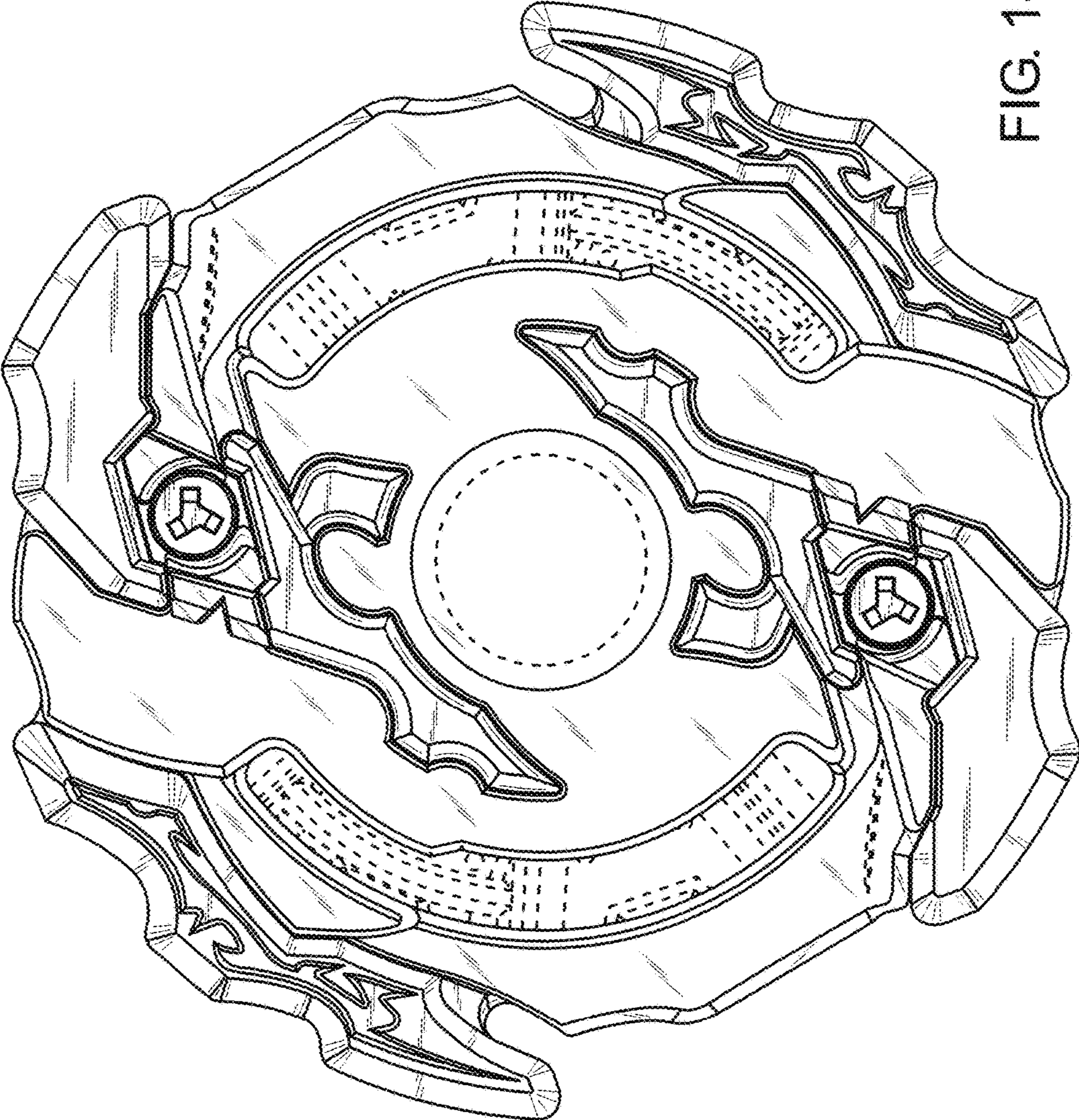


FIG. 14

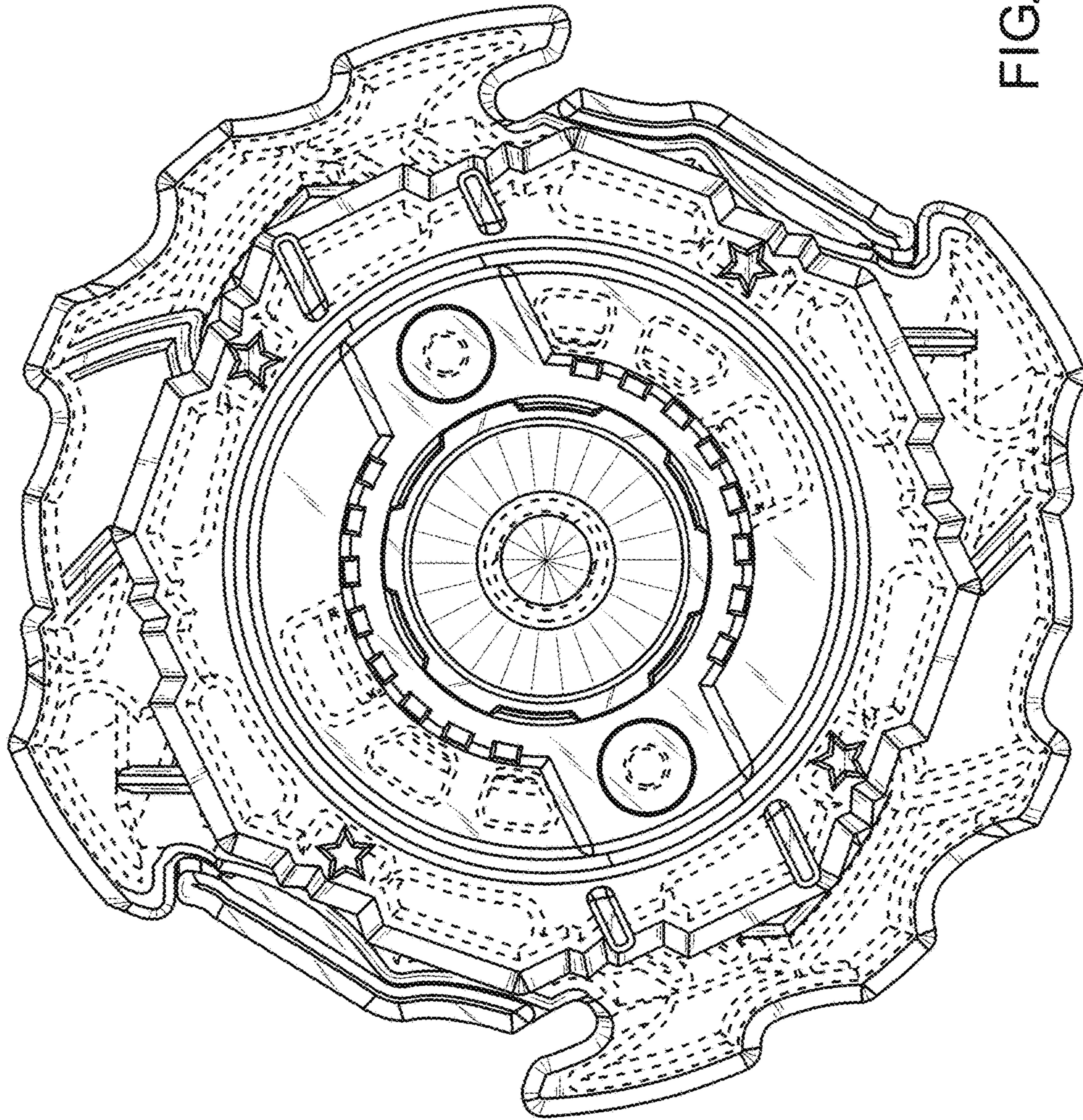


FIG. 15

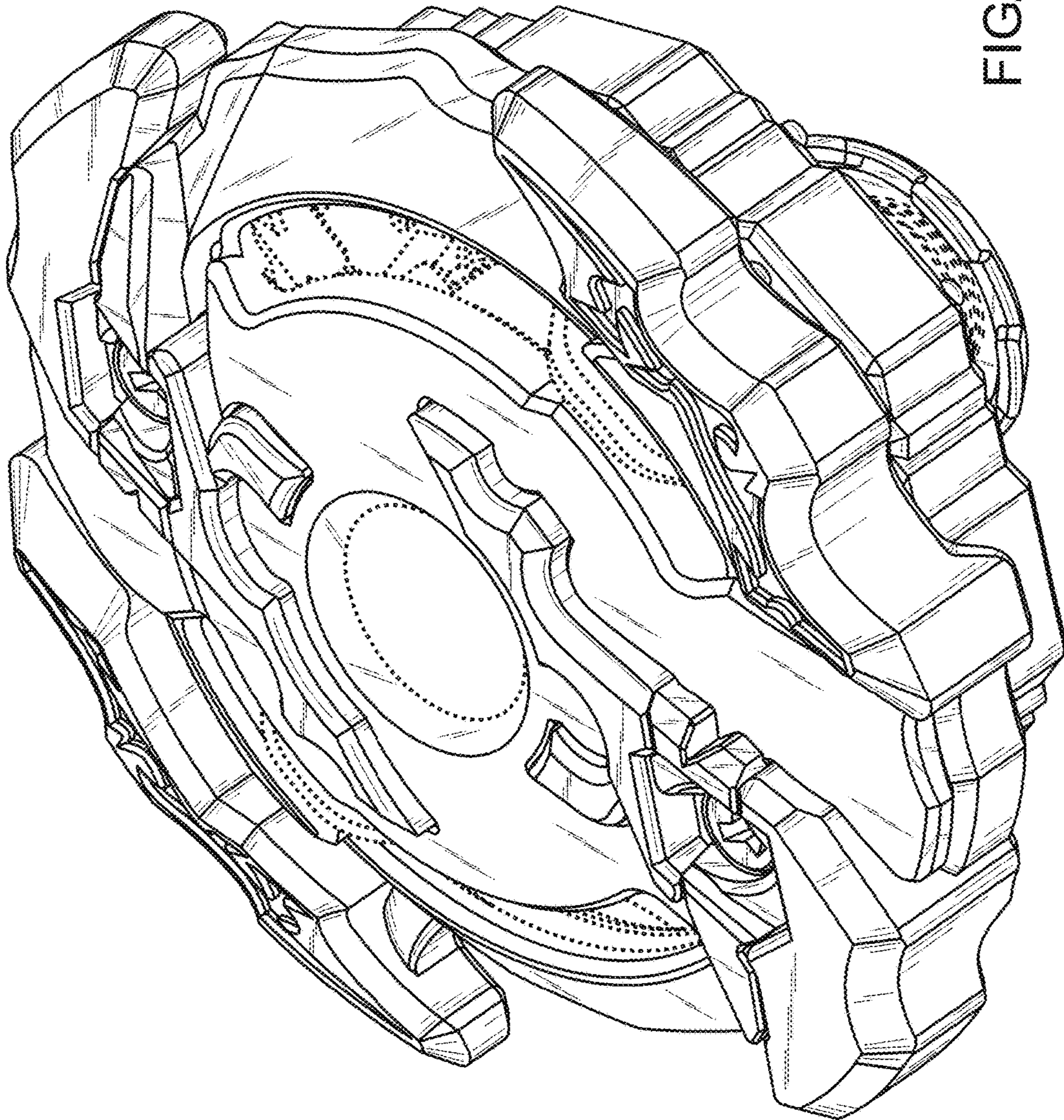


FIG. 16

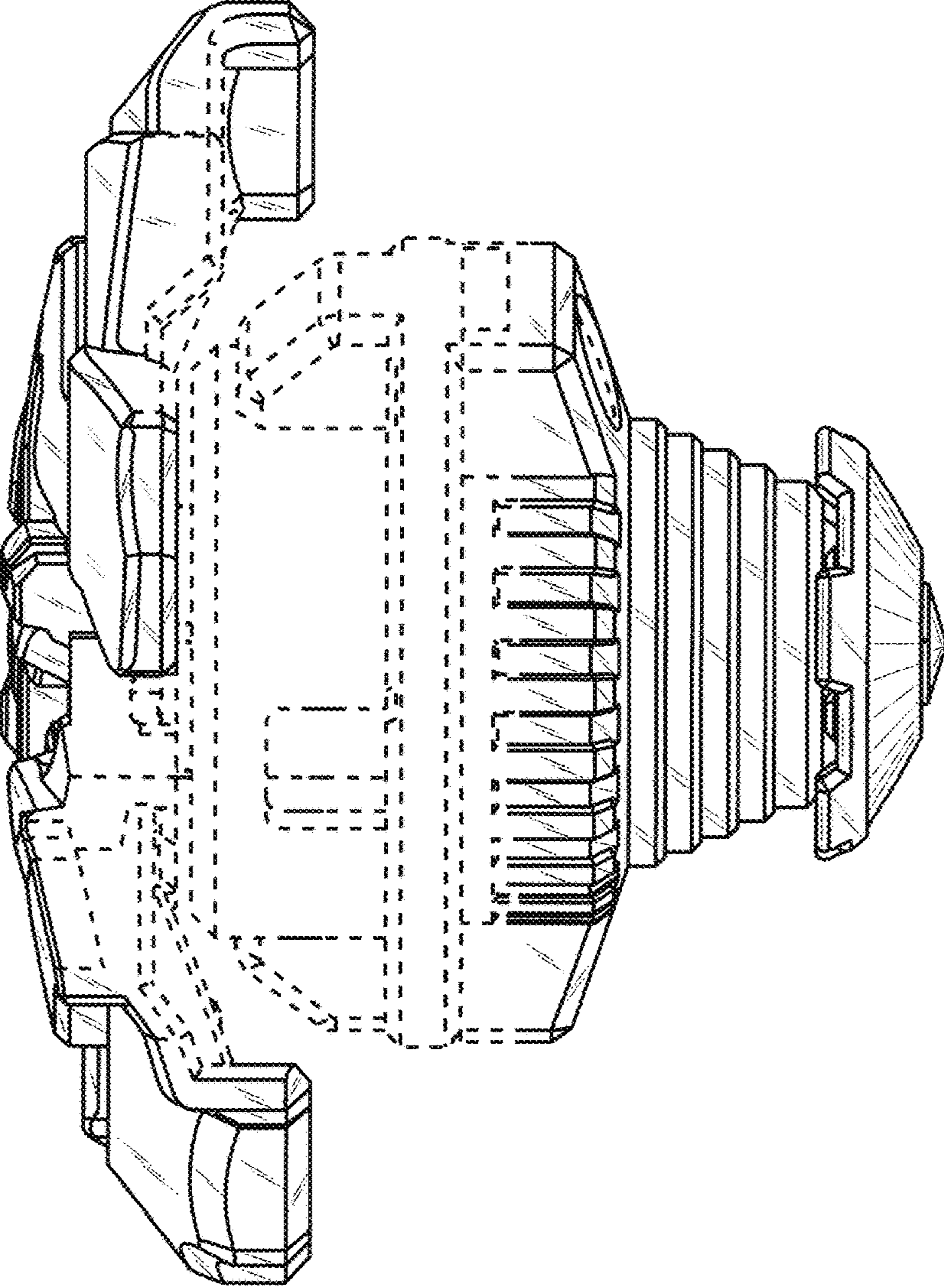


FIG. 17

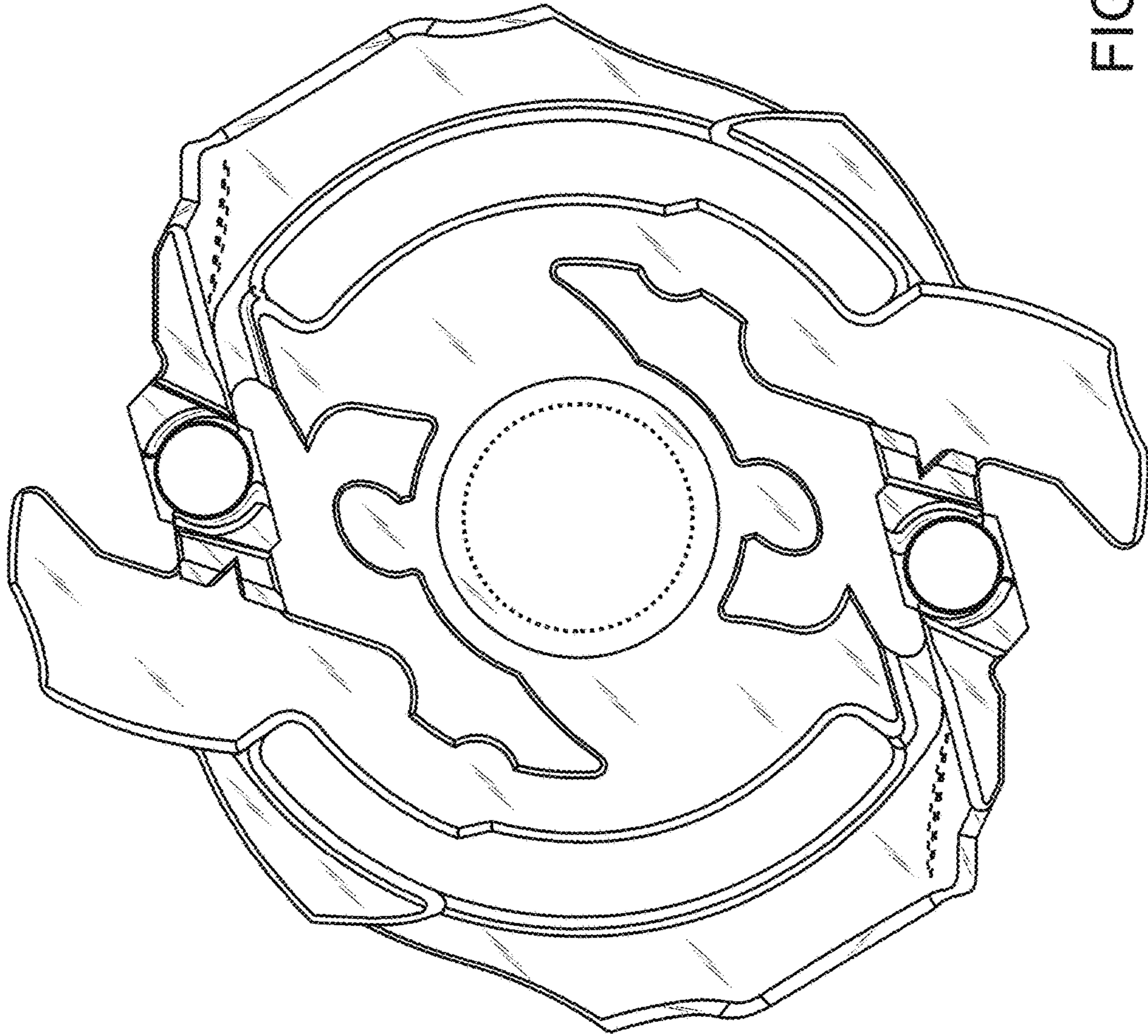


FIG. 18