



US00D861075S

(12) **United States Design Patent** (10) **Patent No.:** **US D861,075 S**
Kihl et al. (45) **Date of Patent:** **** Sep. 24, 2019**

(54) DIGITAL SIGN	3,782,029 A * 1/1974 Bardot A63F 9/0073 434/403
(71) Applicant: LG ELECTRONICS INC. , Seoul (KR)	3,974,611 A * 8/1976 Satterthwaite A63B 9/00 52/309.9
(72) Inventors: Hewon Kihl , Seoul (KR); Yongho Lee , Seoul (KR); Hyeyoung Hong , Seoul (KR)	4,026,087 A * 5/1977 White E04B 2/50 446/125
(73) Assignee: LG ELECTRONICS INC. , Seoul (KR)	D261,373 S * 10/1981 Fisher D10/21
(**) Term: 15 Years	5,297,012 A * 3/1994 Fletcher B60Q 7/00 362/235
(21) Appl. No.: 35/504,637	D351,623 S * 10/1994 Seiler D11/131
(22) Filed: Sep. 22, 2017	D359,587 S * 6/1995 Ross G09B 23/02 D30/101
(80) Hague Agreement Data	D367,119 S * 2/1996 Trunk D25/23
Int. Filing Date: Sep. 22, 2017	D367,384 S * 2/1996 DiFranco D6/682.4
Int. Reg. No.: DM/098930	D373,528 S * 9/1996 Ser Tuen Wei D9/418
Int. Reg. Date: Sep. 22, 2017	D375,421 S * 11/1996 Weiner D20/10
Int. Reg. Pub. Date: Mar. 23, 2018	D380,538 S * 7/1997 Muller D23/366
(30) Foreign Application Priority Data	D551,116 S * 9/2007 Devory, Jr. D11/131
Mar. 23, 2017 (KR) 30-2017-0013607	D558,832 S * 1/2008 Jedlicka D20/10

(Continued)

Primary Examiner — Robert M. Spear
(74) *Attorney, Agent, or Firm* — Birch, Stewart, Kolasch
& Birch, LLP

(57) **CLAIM**

The ornamental design for a digital sign, as shown and described.

DESCRIPTION

- 1. Digital sign
- 1.1 : Perspective
- 1.2 : Front
- 1.3 : Back
- 1.4 : Left
- 1.5 : Top
- 1.6 : Bottom

Reproduction 1.1 is a front perspective view of the digital sign; reproduction 1.2 is a front view thereof; reproduction 1.3 is a rear view thereof; reproduction 1.4 is a left view thereof where the right view is a mirror image; reproduction 1.5 is a top view thereof; and reproduction 1.6 is a bottom view thereof.

1 Claim, 6 Drawing Sheets

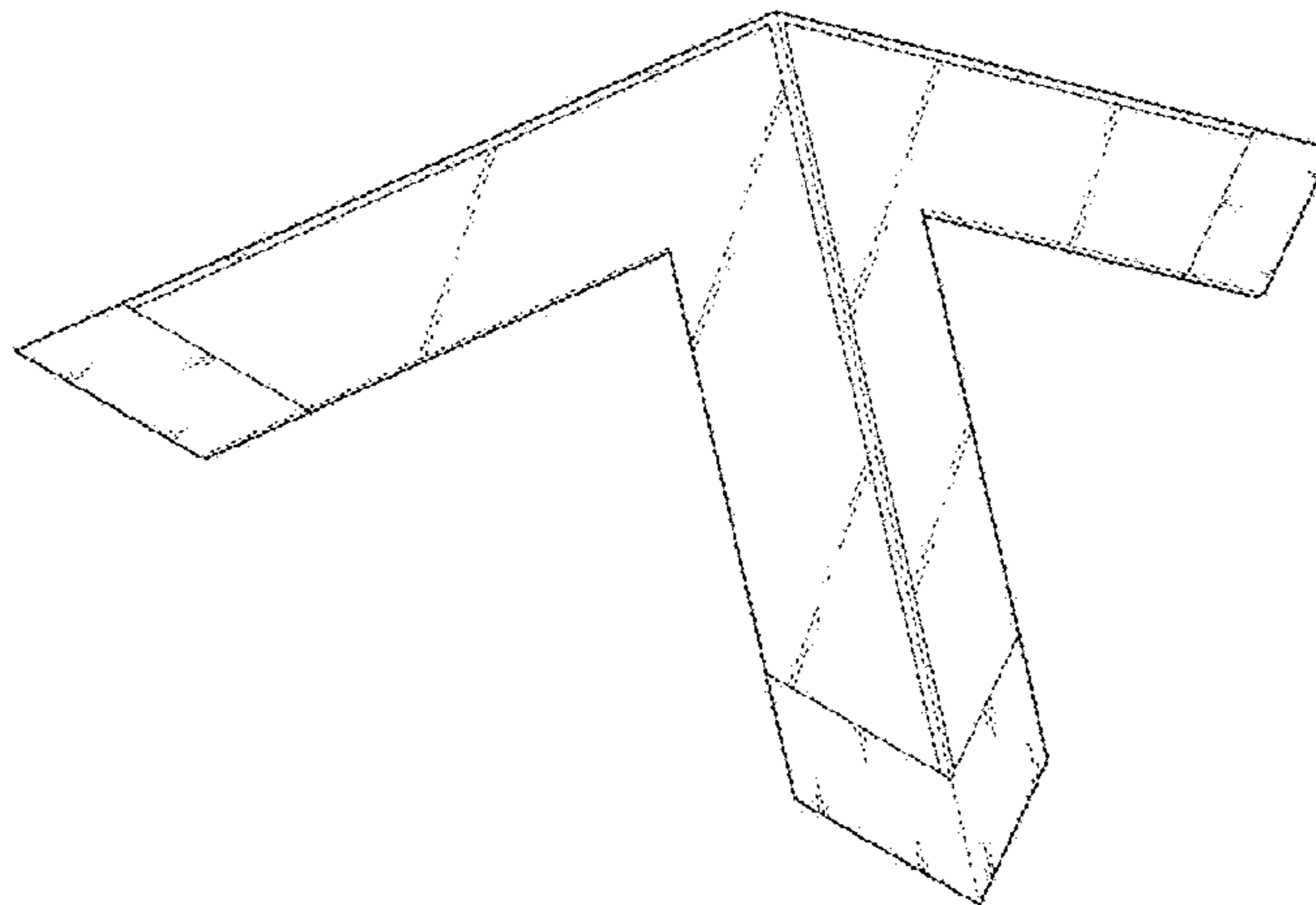
(51) **LOC (12) Cl.** **20-03**

(52) **U.S. Cl.**
USPC **D20/10**

(58) **Field of Classification Search**
USPC D14/373, 127; D20/10, 17, 18, 19, 21,
D20/39, 99
CPC ... A47B 97/08; G09F 7/00; G09F 1/04; G09F
1/06; G09F 13/04; G09F 19/00
See application file for complete search history.

(56) **References Cited**
U.S. PATENT DOCUMENTS

D206,635 S * 1/1967 Walter D10/111
D224,934 S * 10/1972 Gilstrap 119/482



(56)

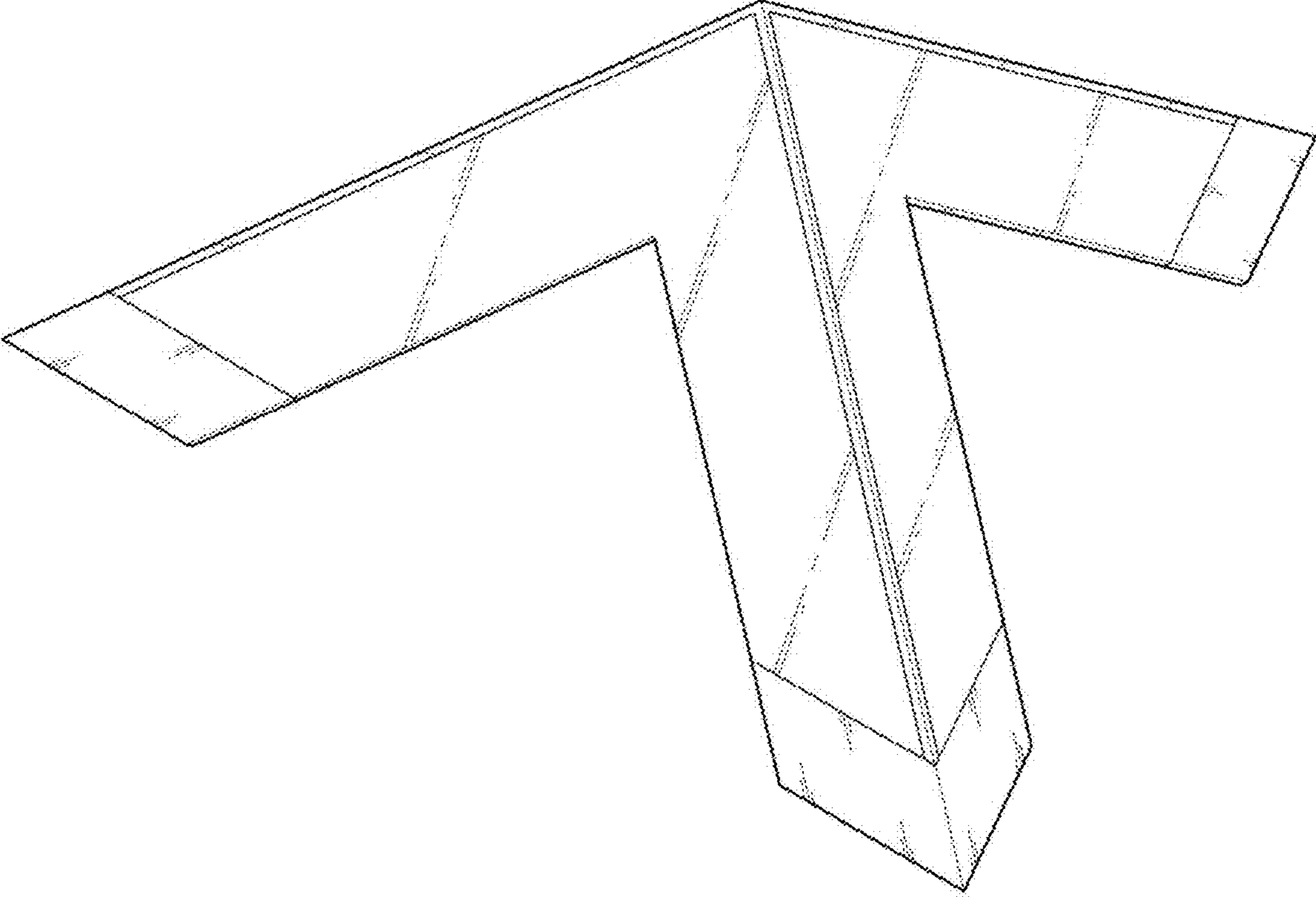
References Cited

U.S. PATENT DOCUMENTS

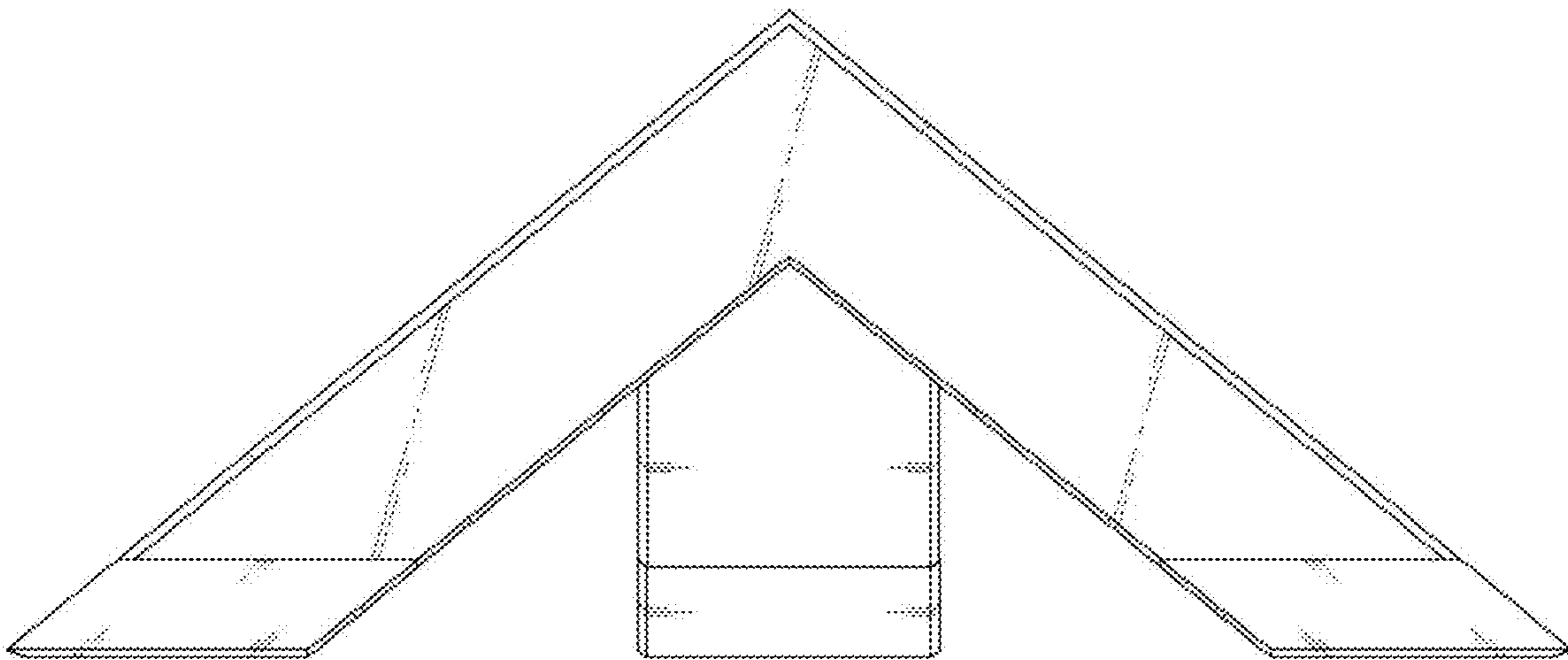
D578,379	S	*	10/2008	Sorkin	D8/354
D581,251	S	*	11/2008	Bucci	D30/108
D581,254	S	*	11/2008	Bucci	D8/354
D602,341	S	*	10/2009	Bucci	D8/354
D609,077	S	*	2/2010	Bucci	D8/354
D613,149	S	*	4/2010	Bucci	D8/354
D616,728	S	*	6/2010	Bucci	D21/505
D631,729	S	*	2/2011	Bucci	D21/505
D635,010	S	*	3/2011	Bucci	D21/505
D649,435	S	*	11/2011	Bucci	D21/505
D652,709	S	*	1/2012	Bucci	B60Q 7/00
						D8/354
D660,685	S	*	5/2012	Bucci	D21/505
D731,046	S	*	6/2015	Shondel	E04B 2/50
						D23/366
D736,599	S	*	8/2015	Gringer	A63B 9/00
						D21/505
D759,753	S	*	6/2016	Bahn	A63F 9/0073
						D19/62
D832,712	S	*	11/2018	Faroudi	D9/546
D835,614	S	*	12/2018	Kahn	D14/240
2005/0014112	A1	*	1/2005	Fentress	G09B 23/02
						434/211

* cited by examiner

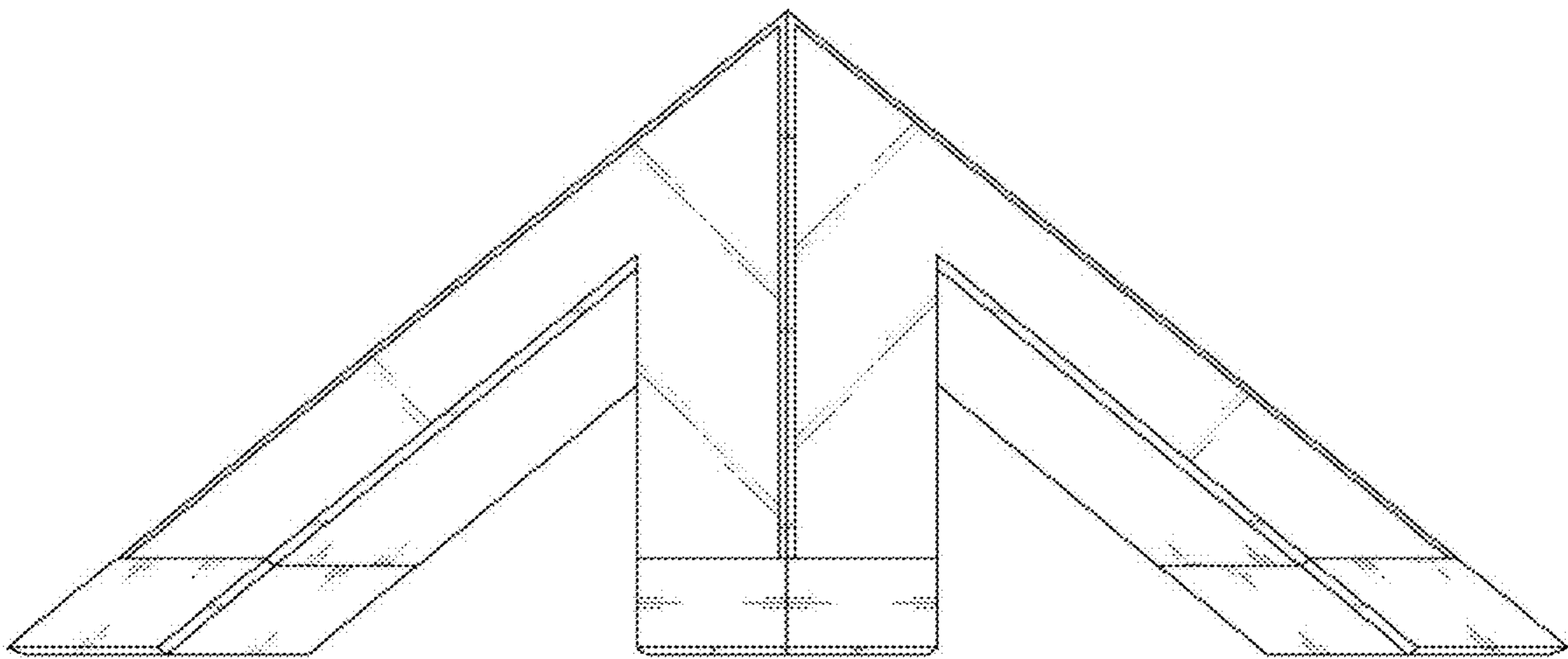
1.1



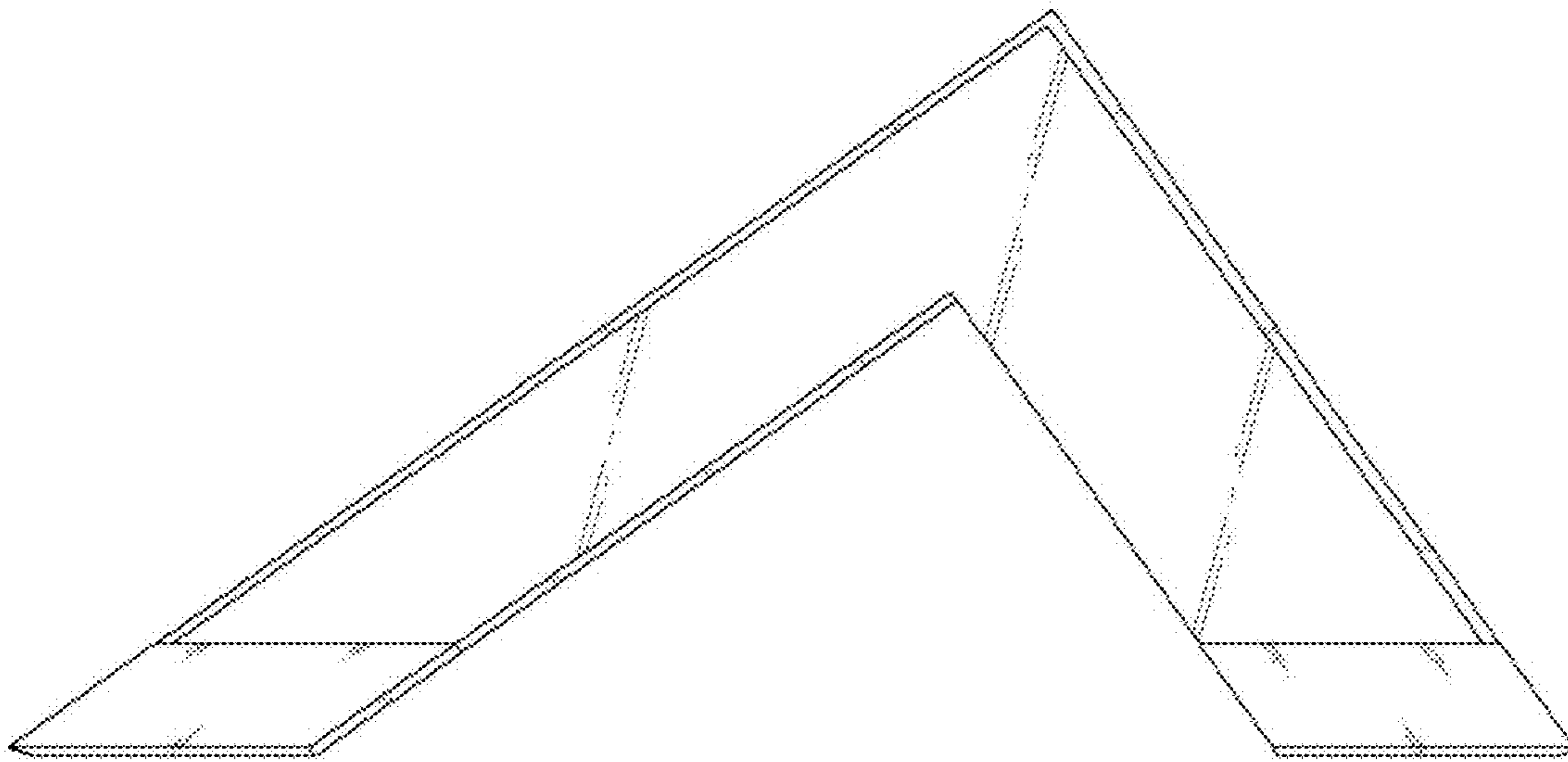
1.2



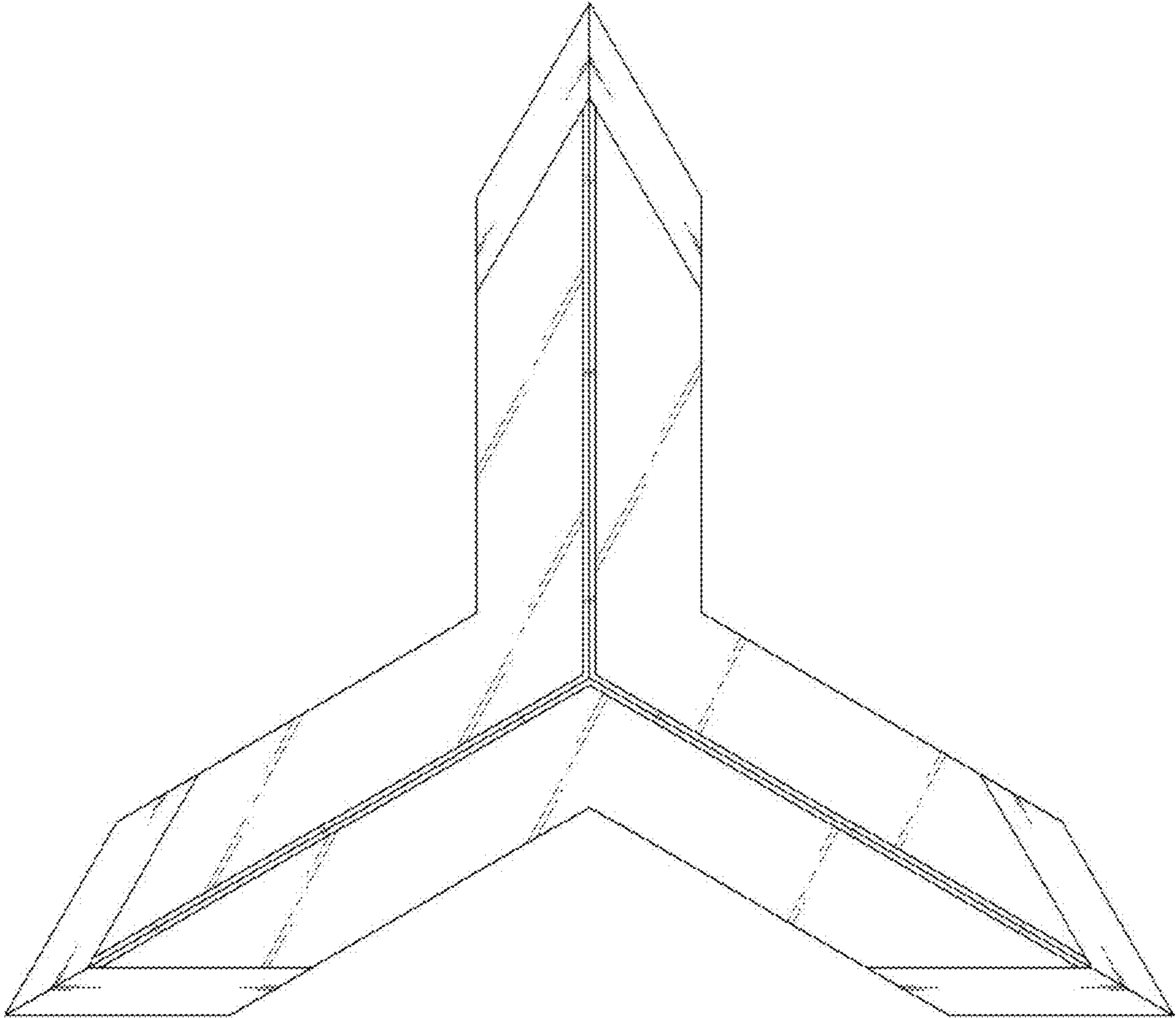
1.3



1.4



1.5



1.6

