



US00D861072S

(12) **United States Design Patent**
Rieger

(10) **Patent No.:** **US D861,072 S**

(45) **Date of Patent:** **** Sep. 24, 2019**

- (54) **WRITING IMPLEMENT**
- (71) Applicant: **STAEDTLER Mars GmbH & Co.**
KG, Nürnberg (DE)
- (72) Inventor: **Sebastian Rieger, Stuttgart (DE)**
- (73) Assignee: **STAEDTLER MARS GMBH & CO.**
KG, Nürnberg (DE)
- (**) Term: **15 Years**
- (21) Appl. No.: **29/639,400**
- (22) Filed: **Mar. 6, 2018**
- (30) **Foreign Application Priority Data**
Sep. 8, 2017 (EM) 004 246 759-0002
- (51) **LOC (12) Cl.** **19-06**
- (52) **U.S. Cl.**
USPC **D19/173**
- (58) **Field of Classification Search**
USPC D19/115-204; D14/411
CPC . B43K 5/005; B43K 7/12; B43K 8/04; B43K
8/06; B43K 19/00; B43K 19/02; B43K
19/14; B43K 21/006; B43K 21/06
See application file for complete search history.

6,923,588	B1 *	8/2005	Hsieh	B43K 24/03
					401/104
D511,690	S *	11/2005	Garcia	D9/682
D552,714	S *	10/2007	Lu	D19/174
D562,894	S *	2/2008	Nishida	D19/171
D566,176	S *	4/2008	Rolion	D19/173
D575,823	S *	8/2008	Rommel	D19/170
D579,978	S *	11/2008	Yu	D19/177
D600,281	S *	9/2009	Delancourt	D19/170
D611,094	S *	3/2010	Collin	D19/170
D615,590	S *	5/2010	Li	D19/171
D624,591	S *	9/2010	Koehler	D19/171
D628,637	S *	12/2010	Xiao	D19/173
D643,465	S *	8/2011	Ng	D19/177
D643,877	S *	8/2011	Soetewey	D19/171
D672,815	S *	12/2012	Li	D19/176
D690,360	S *	9/2013	Jin	D19/173
D700,656	S *	3/2014	Schweig	D19/168
D700,657	S *	3/2014	Schweig	D19/170
D701,267	S *	3/2014	Schweig	D19/170
D701,268	S *	3/2014	Schweig	D19/170
D703,751	S *	4/2014	Schweig	D19/168

(Continued)

Primary Examiner — Elizabeth A. Albert
(74) *Attorney, Agent, or Firm* — Lucas & Mercanti, LLP;
Klaus P. Stoffel

(57) **CLAIM**

The ornamental design for an writing implement, as shown and described.

(56) **References Cited**

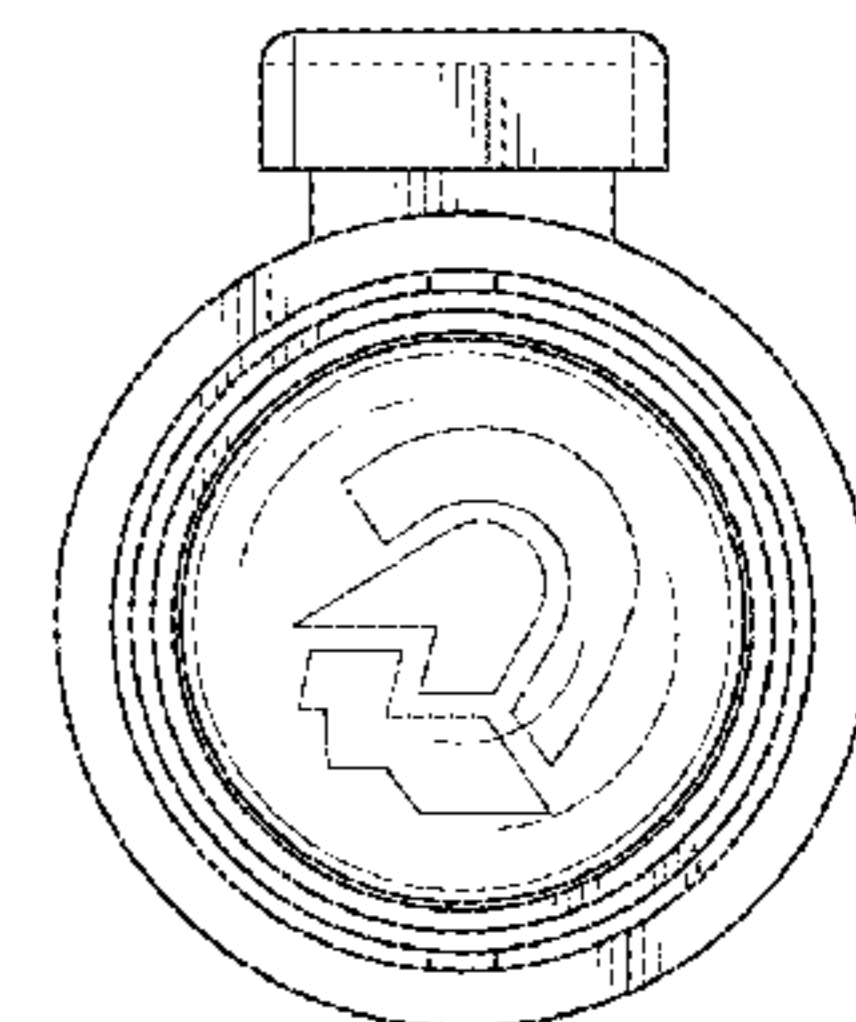
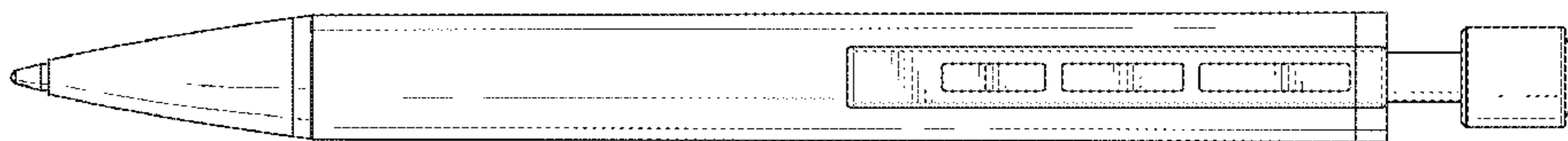
U.S. PATENT DOCUMENTS

D177,369	S *	4/1956	Ensign	D19/171
D177,560	S *	5/1956	Ensign	D19/174
D216,844	S *	3/1970	Shimada	D19/173
D269,189	S *	5/1983	Sakaoka	D19/173
D346,401	S *	4/1994	Sakuno	D19/174
5,313,557	A *	5/1994	Osterhout	G06F 15/0208
					369/64
D368,738	S *	4/1996	Osada	D19/173
D440,602	S *	4/2001	Ikeda	D19/174
D471,589	S *	3/2003	Pellissa Beneyto	D19/170

DESCRIPTION

FIG. 1 is a front perspective view of the writing implement of the present invention;
FIG. 2 is a front view thereof;
FIG. 3 is a rear view thereof;
FIG. 4 is a side view thereof;
FIG. 5 is another side view thereof;
FIG. 6 is a bottom view thereof; and,
FIG. 7 is a top view thereof.

1 Claim, 4 Drawing Sheets



(56)

References Cited

U.S. PATENT DOCUMENTS

D729,875 S *	5/2015	Xu	D19/177
D765,782 S *	9/2016	Ehrlich	D19/164
D781,958 S *	3/2017	Ehrlich	D19/195
D844,705 S *	4/2019	Zhang	D19/176
D849,138 S *	5/2019	Geiger	D19/171

* cited by examiner

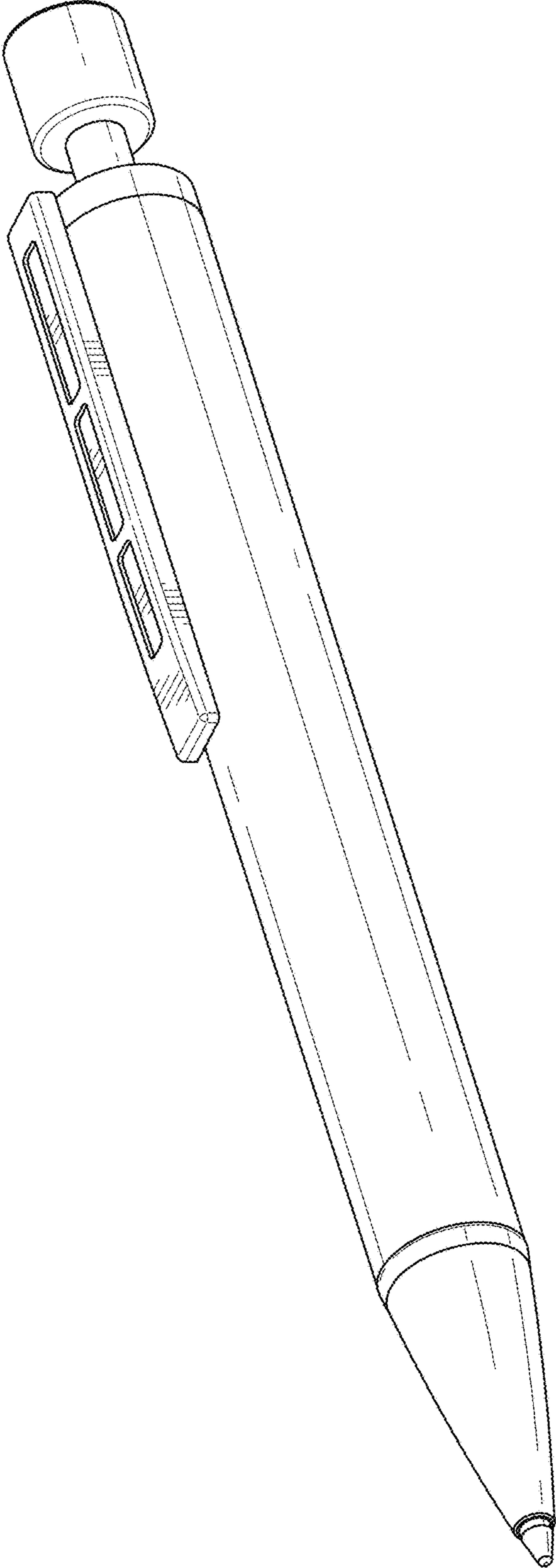


FIG. 1

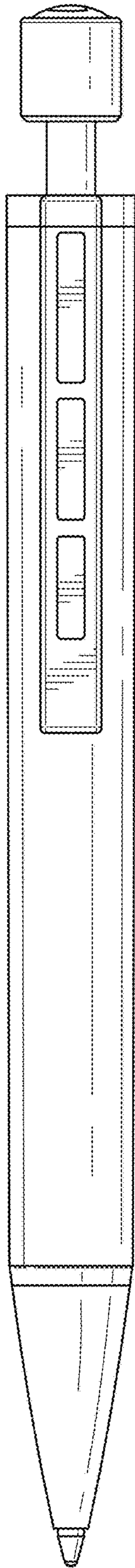


FIG. 2

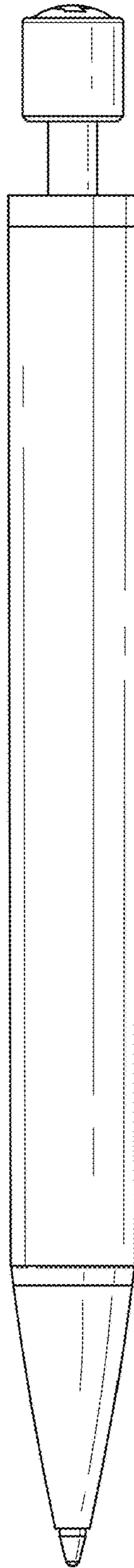


FIG. 3

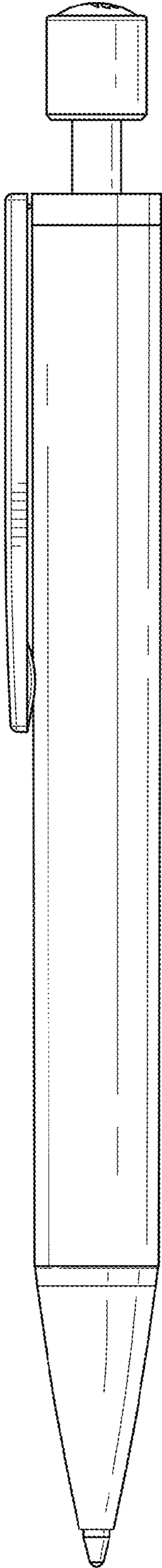


FIG. 4

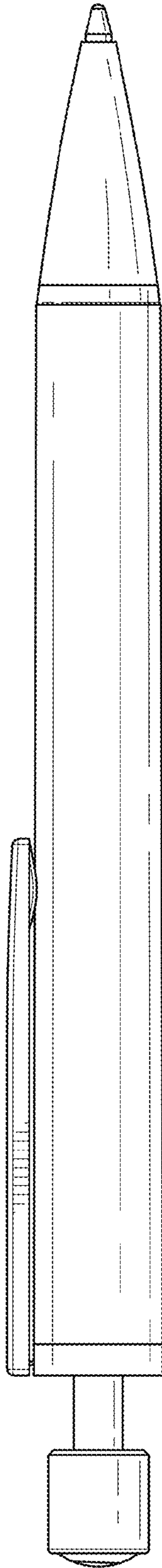


FIG. 5

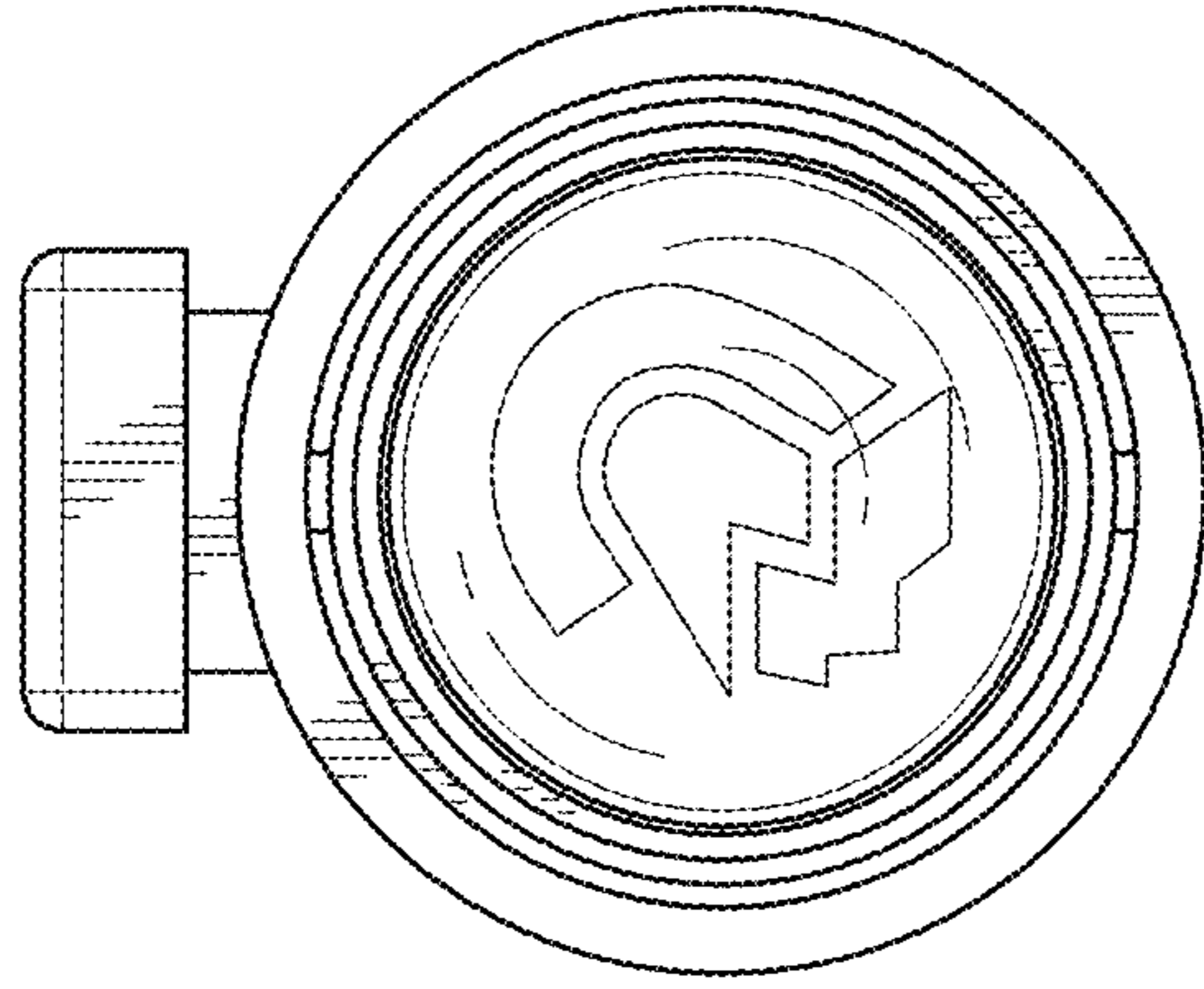


FIG. 6

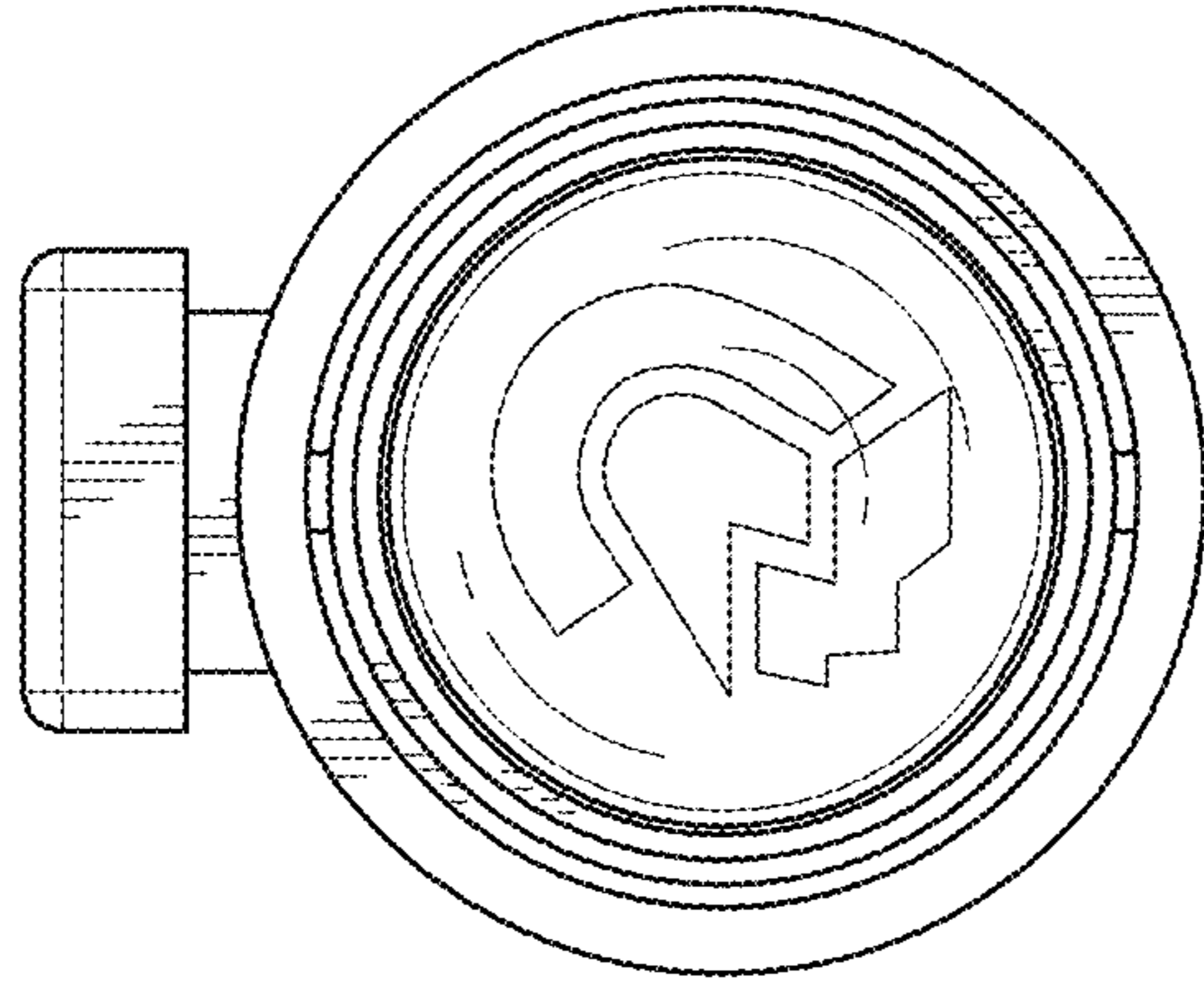


FIG. 7