



US00D861070S

(12) **United States Design Patent**  
**O'Brien et al.**

(10) **Patent No.: US D861,070 S**

(45) **Date of Patent: \*\* Sep. 24, 2019**

- (54) **POCHADE BOX**
- (71) Applicant: **New Wave, LLC**, Phoenixville, PA (US)
- (72) Inventors: **Keith A. O'Brien**, Phoenixville, PA (US); **Kyle T. O'Brien**, Phoenixville, PA (US)
- (73) Assignee: **NEW WAVE, LLC**
- (\*\*) Term: **15 Years**
- (21) Appl. No.: **29/656,394**
- (22) Filed: **Jul. 12, 2018**
- (51) **LOC (12) Cl.** ..... **19-06**
- (52) **U.S. Cl.**  
USPC ..... **D19/106**
- (58) **Field of Classification Search**  
USPC ..... D3/273, 274; D6/300, 310, 311, 312; D9/426, 432; D19/101-107  
CPC ..... A44D 2/002; B44D 3/04; A45C 11/34; A45C 11/36; A45C 2007/0004; A45C 2200/15; A47B 97/04; A47B 97/08  
See application file for complete search history.

2,586,524	A *	2/1952	Dussardier .....	A47B 97/08 312/231
3,168,363	A *	2/1965	Monsour .....	A47B 97/08 108/156
4,662,518	A *	5/1987	Chiappetta .....	A63F 3/068 206/230
4,717,109	A	1/1988	Johnston	
4,765,457	A *	8/1988	Rayhle .....	B44D 3/04 206/1.5
4,979,612	A *	12/1990	Melbye .....	B26B 29/06 206/216
D314,085	S *	1/1991	Uemura .....	D6/634
5,325,958	A *	7/1994	Arasim .....	B44D 3/04 206/1.7

(Continued)

**FOREIGN PATENT DOCUMENTS**

WO 2014080392 5/2014

*Primary Examiner* — Elizabeth A. Albert

(74) *Attorney, Agent, or Firm* — The Belles Group, P.C.

(57) **CLAIM**

The ornamental design for a pochade box, as shown and described.

**DESCRIPTION**

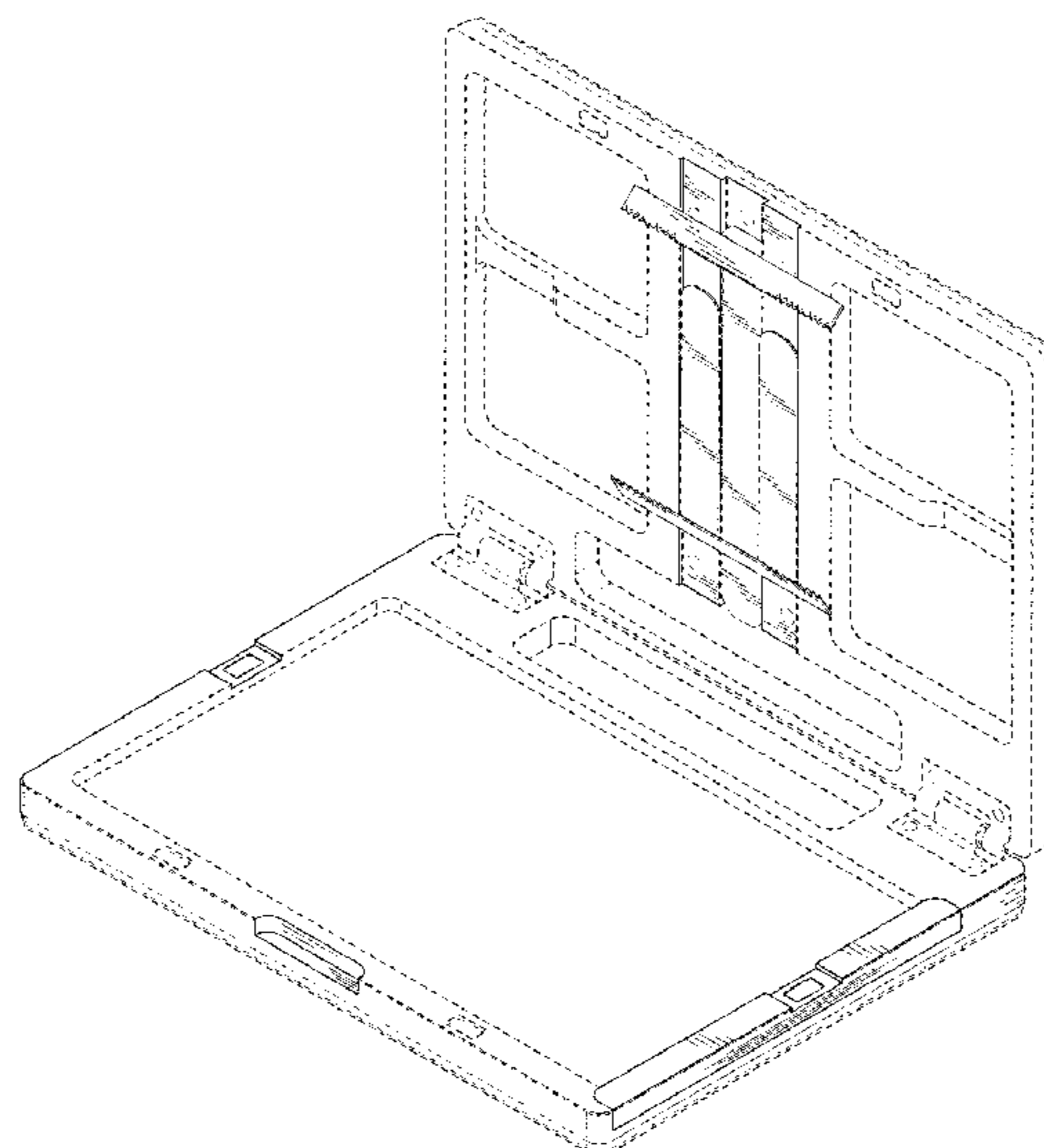
FIG. 1 is a front top perspective view of a pochade box in accordance with the new design;  
 FIG. 2 is a front view thereof;  
 FIG. 3 is a rear view thereof;  
 FIG. 4 is a left side view thereof;  
 FIG. 5 is a right side view thereof;  
 FIG. 6 is a top view thereof; and,  
 FIG. 7 is a bottom view thereof.  
 The longer broken lines in FIGS. 1-7 illustrating portions of the pochade box are included to show features that form no part of the claimed design. The dotted broken lines at the corners of the bottom in FIGS. 1, 2, and 3 define the bounds of the claimed design and form no part thereof.

**1 Claim, 7 Drawing Sheets**

(56) **References Cited**

**U.S. PATENT DOCUMENTS**

396,362	A *	1/1889	Marks .....	A47B 97/08 248/449
680,658	A *	8/1901	Hastings .....	B44D 3/04 206/1.8
825,266	A *	7/1906	Donaldson .....	B44D 3/04 206/1.8
924,865	A *	6/1909	Wilson .....	B44D 3/04 206/1.8
1,735,061	A *	11/1929	Shields .....	A47F 7/03 206/301
1,835,884	A *	12/1931	Lindsey .....	B44D 3/04 206/1.8



(56)

References Cited

U.S. PATENT DOCUMENTS

5,638,838 A \* 6/1997 Lombardi ..... A45C 13/005  
 132/294  
 5,787,906 A \* 8/1998 D'Andrea ..... A45C 13/1084  
 132/293  
 6,012,696 A \* 1/2000 Borie ..... A47B 97/08  
 248/461  
 D445,457 S \* 7/2001 Brumby ..... D19/90  
 7,188,818 B2 3/2007 Chang  
 D582,675 S \* 12/2008 Nelson ..... D3/301  
 D600,748 S \* 9/2009 Tabuchi ..... D19/106  
 7,694,806 B2 \* 4/2010 Huggins ..... B44D 3/04  
 206/1.7  
 7,717,393 B2 5/2010 Edgmon et al.  
 7,942,293 B2 \* 5/2011 Lawrence ..... A45C 11/008  
 224/197  
 D687,096 S 7/2013 Taylor  
 9,102,192 B2 8/2015 Taylor  
 D750,908 S \* 3/2016 Hickman ..... D6/300  
 D760,705 S \* 7/2016 Matsuoka ..... D14/230  
 9,439,511 B2 \* 9/2016 Hickman ..... A47B 97/04  
 9,615,641 B2 \* 4/2017 Yeung ..... A45C 11/182  
 D788,085 S \* 5/2017 Matsuoka ..... D14/230  
 D788,746 S \* 6/2017 Matsuoka ..... D14/230  
 9,925,825 B1 3/2018 Hoffmann, IV et al.  
 2006/0219256 A1 \* 10/2006 Byun ..... A45D 33/20  
 132/287  
 2009/0314917 A1 12/2009 Edgmon et al.

\* cited by examiner

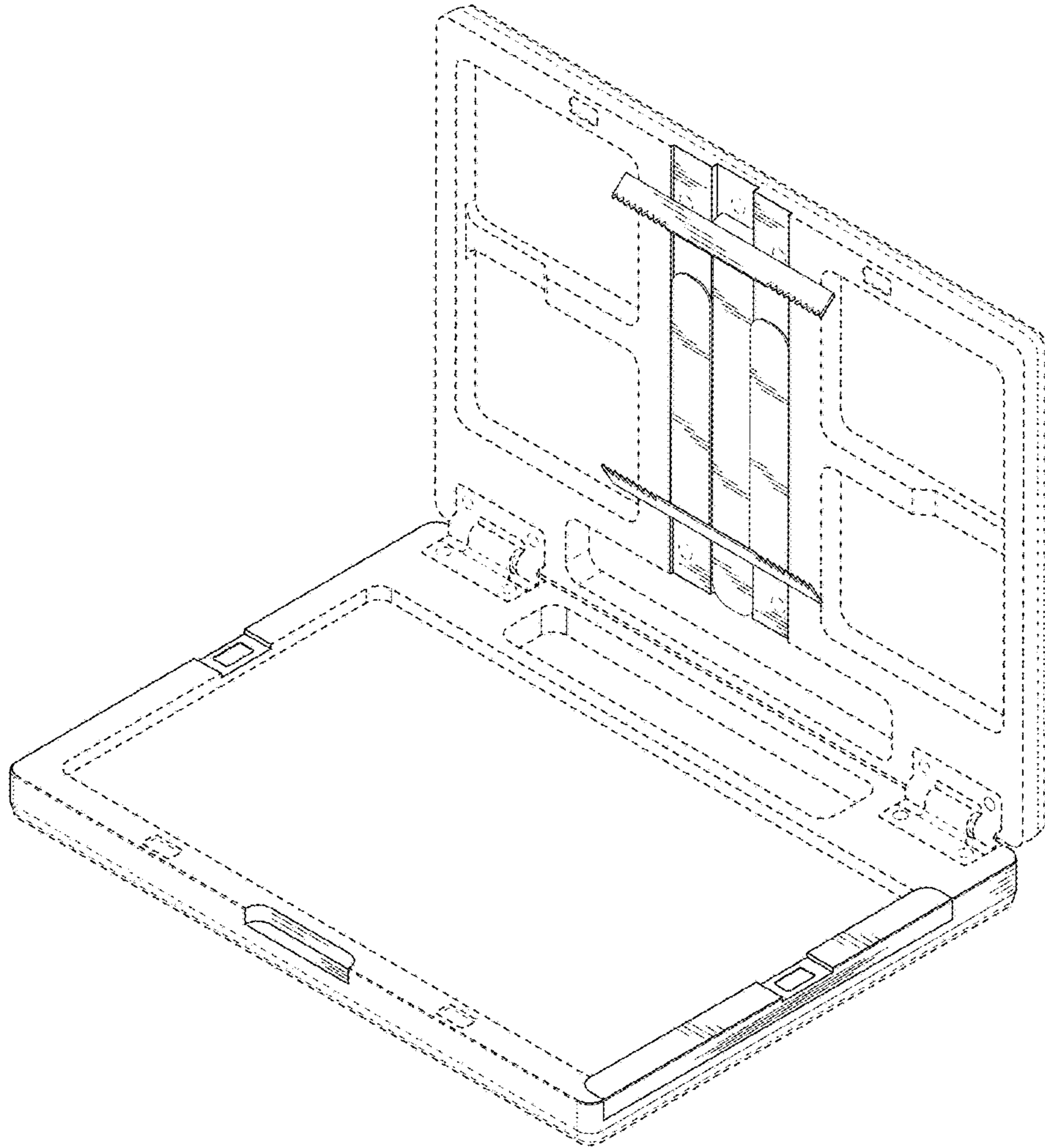


FIG. 1

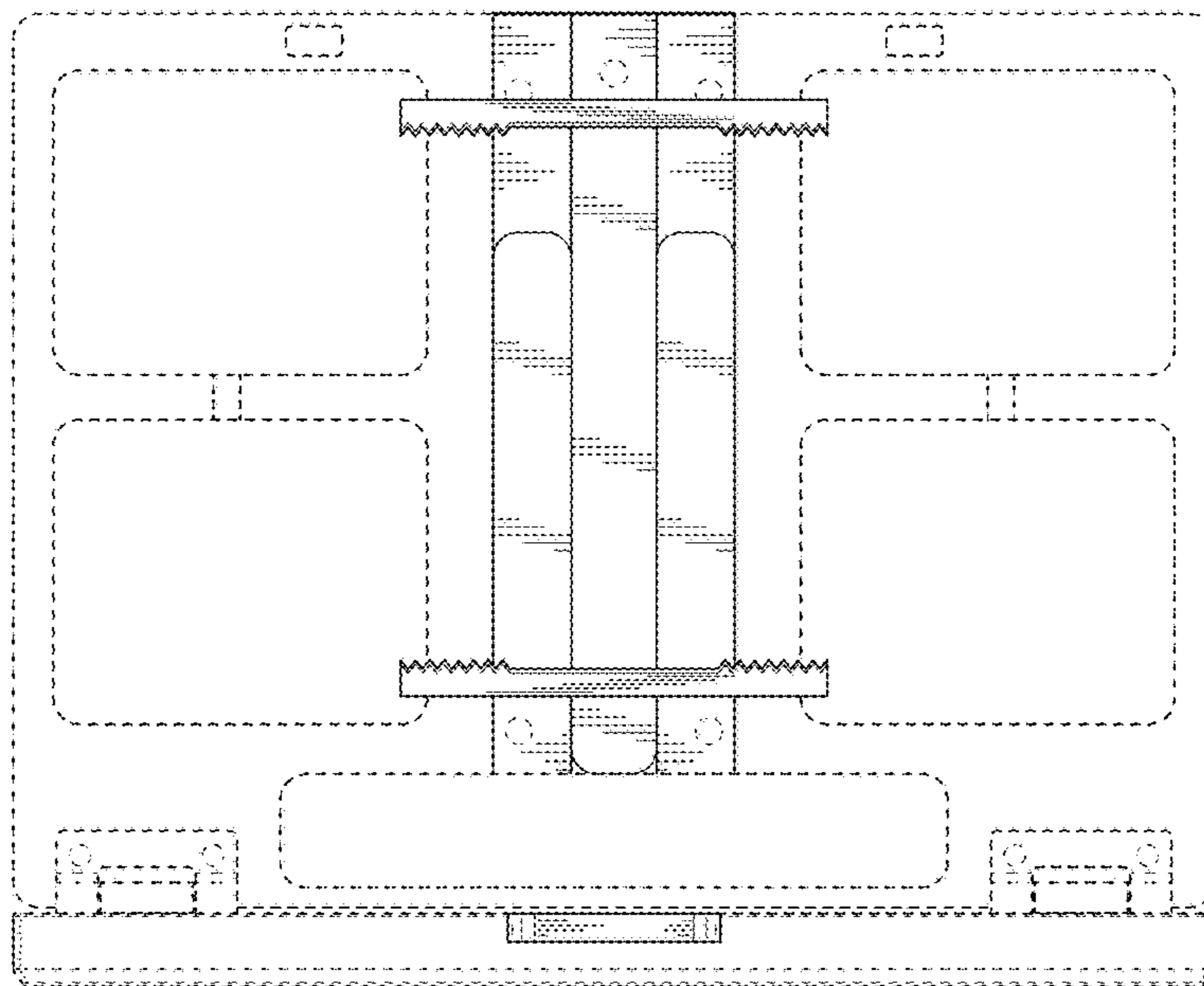


FIG. 2

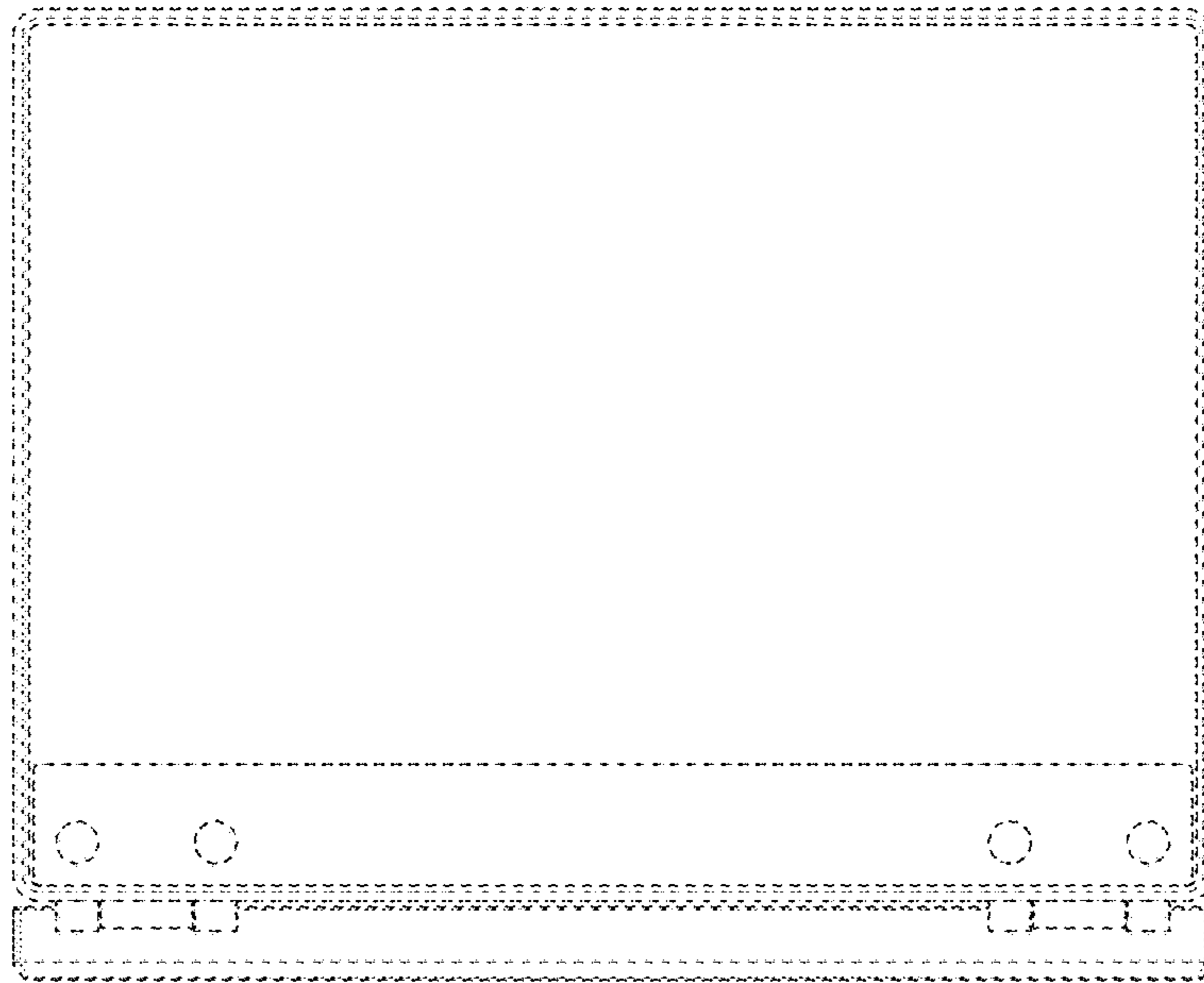


FIG. 3

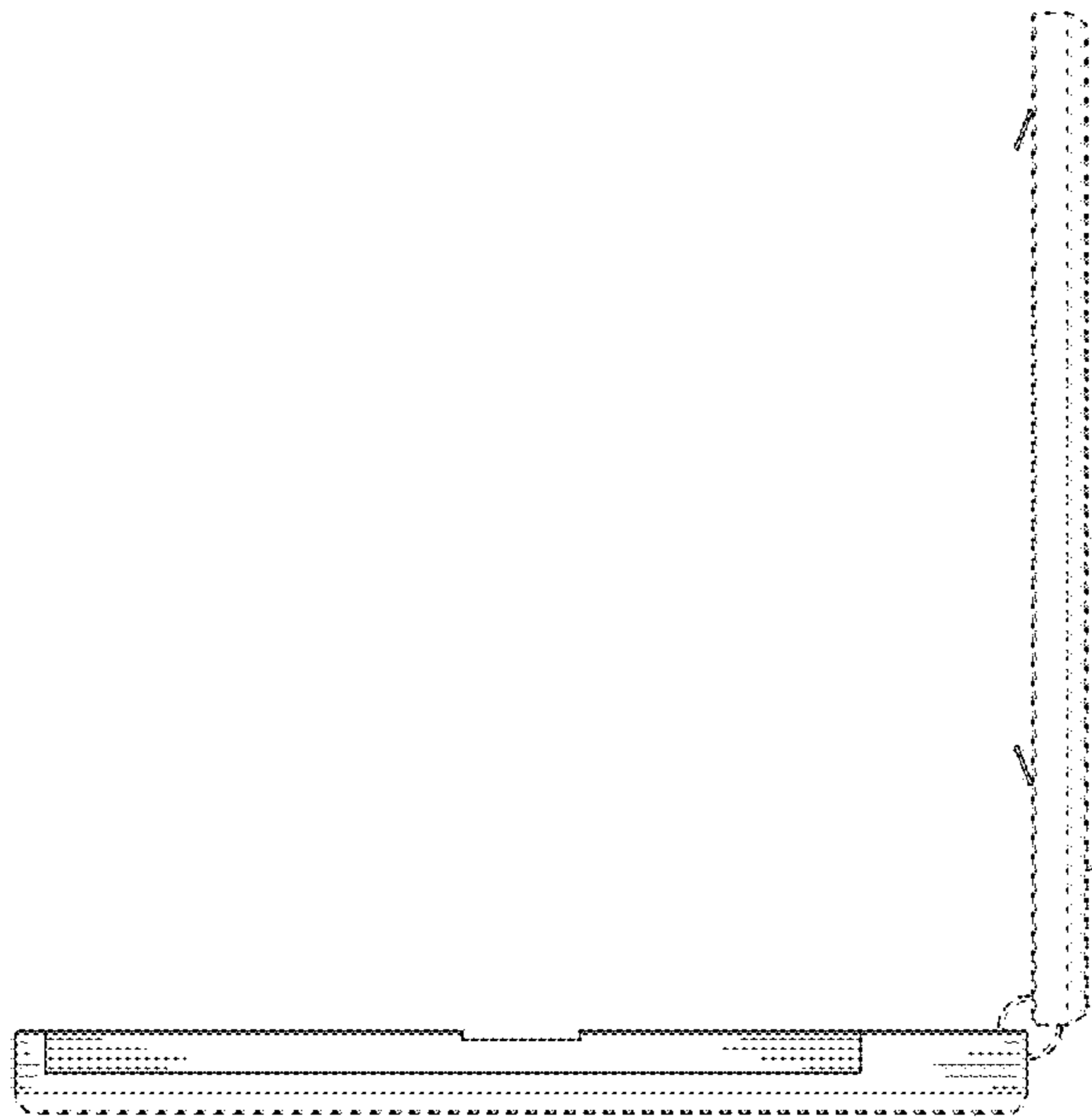


FIG. 4

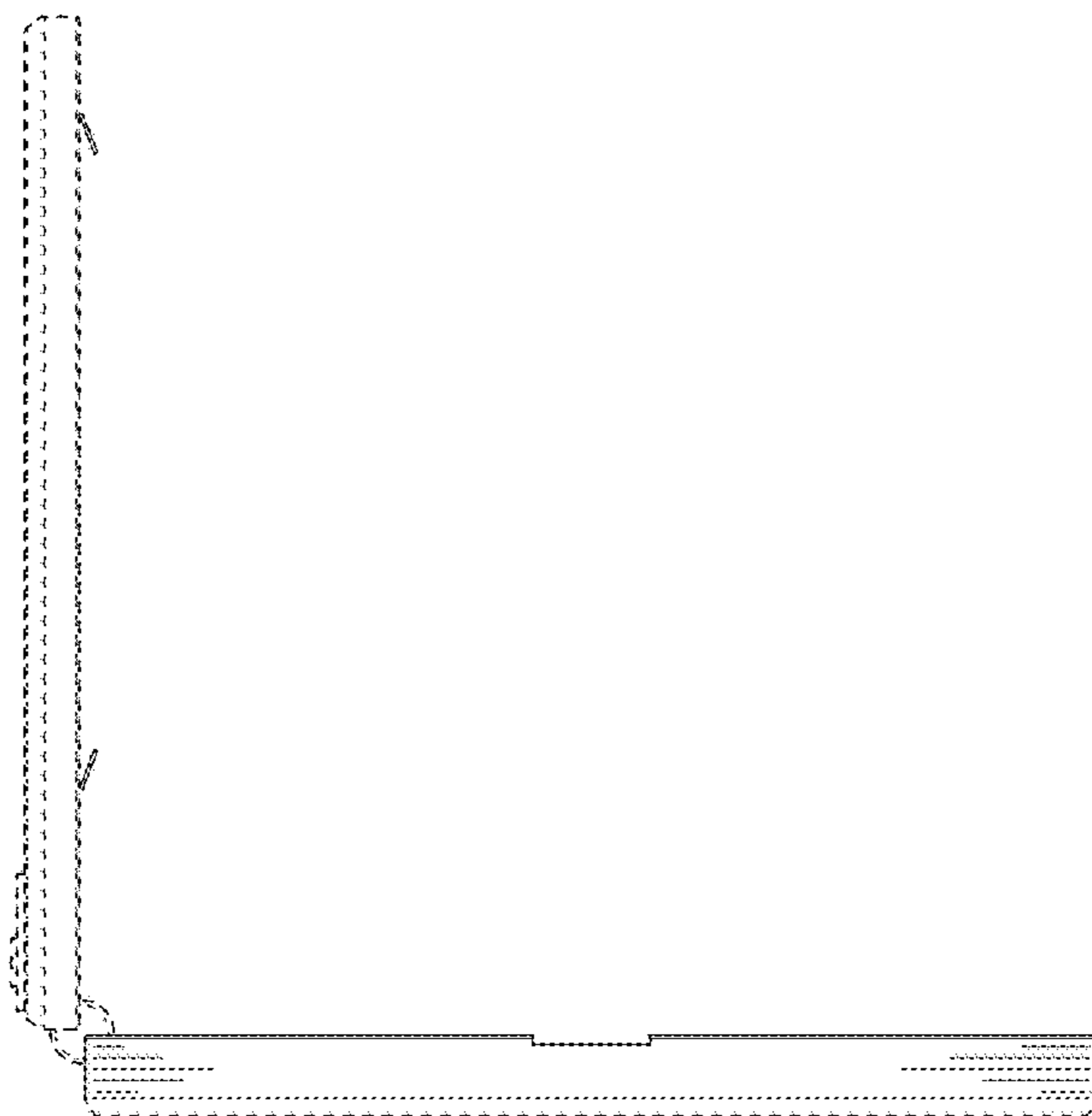


FIG. 5

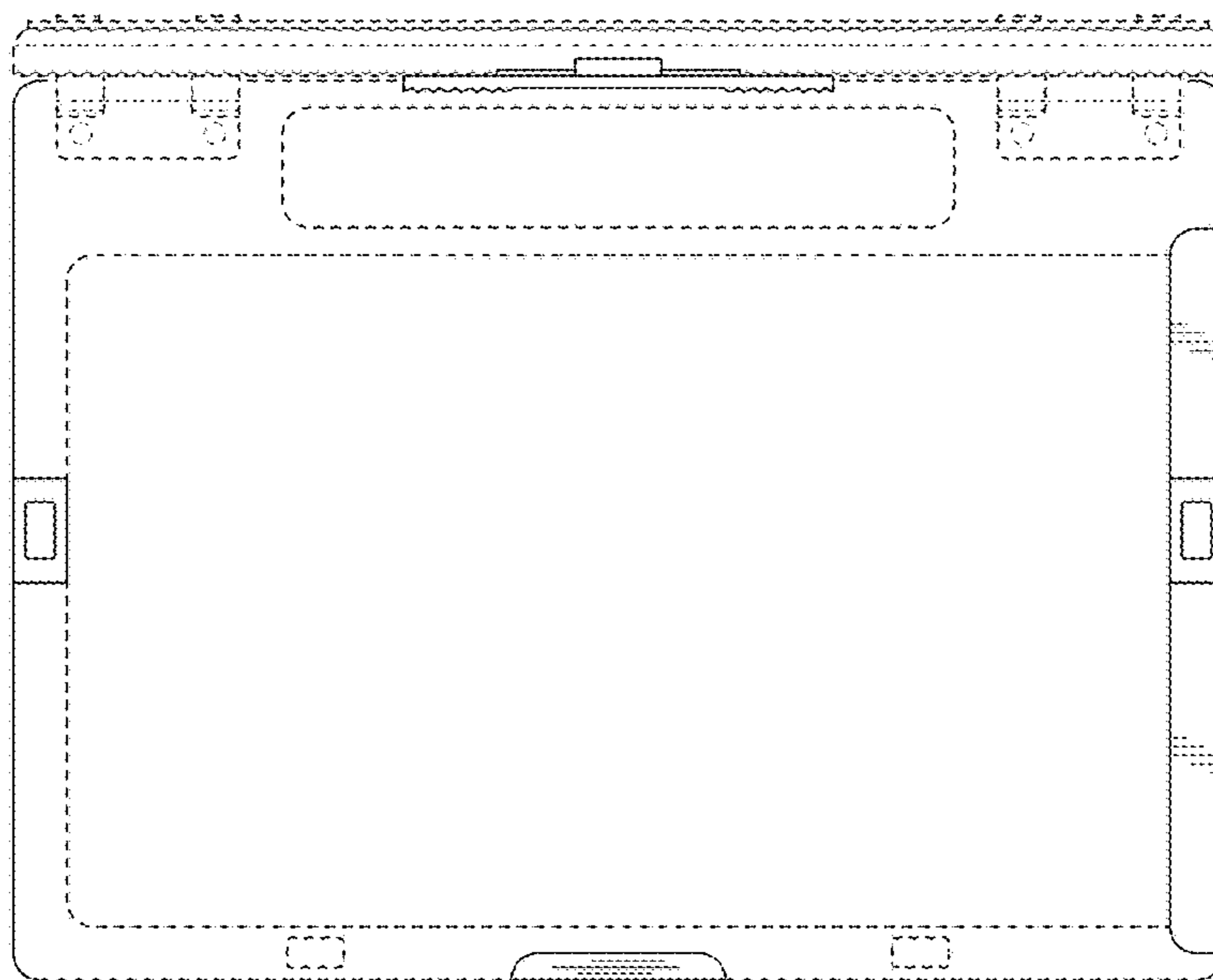


FIG. 6



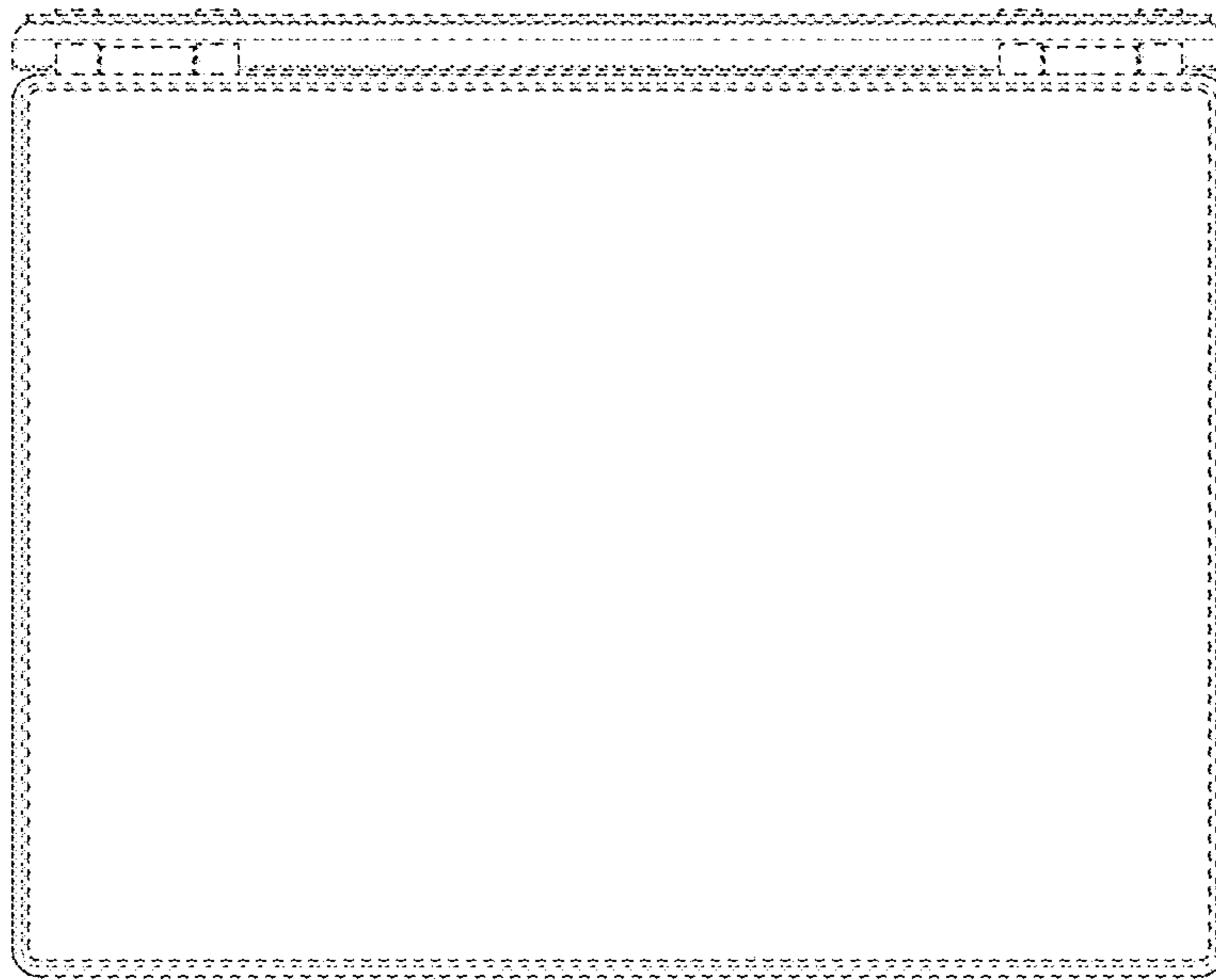


FIG. 7