



US00D861069S

(12) **United States Design Patent** (10) **Patent No.:** **US D861,069 S**
Flores (45) **Date of Patent:** **** Sep. 24, 2019**

(54) **PORTABLE DISPLAY STAND FOR STUDENTS**

(71) Applicant: **Norma Lisa Flores**, Sullivan City, TX (US)

(72) Inventor: **Norma Lisa Flores**, Sullivan City, TX (US)

(**) Term: **15 Years**

(21) Appl. No.: **29/614,696**

(22) Filed: **Aug. 22, 2017**

(51) **LOC (12) Cl.** **19-07**

(52) **U.S. Cl.**
USPC **D19/59**; D20/10

(58) **Field of Classification Search**
USPC D6/332, 383, 672, 673, 713, 714, 301; 160/351; D20/10, 21, 27, 44; D19/59, D19/62, 64
CPC A47B 2200/12; A47B 2200/0071; A47B 2220/13; A47B 83/001; E04B 2/7416; E04B 2/7427; A47G 5/00; G09F 1/04; G09F 1/06; G09F 1/10; G09F 5/00; G09F 5/02; G09F 5/042; G09F 15/0056
See application file for complete search history.

(56) **References Cited**

U.S. PATENT DOCUMENTS

- 1,736,726 A * 11/1929 Young B65D 81/36 206/768
- 2,499,535 A * 3/1950 Spreen A47G 1/14 40/729
- D246,274 S * 11/1977 Nelson D6/301
- D285,315 S * 8/1986 Kosi 19/26
- D331,672 S * 12/1992 Brodbeck D6/643.1
- D333,322 S * 2/1993 Lindblom D20/44
- D358,176 S * 5/1995 Atkinson D20/21
- D369,700 S * 5/1996 Sandy D6/672
- D487,778 S * 3/2004 Kahlig D20/10

- D591,794 S * 5/2009 Laass D19/59
- D612,631 S * 3/2010 Pazhoor D6/643
- D622,975 S * 9/2010 Abel D6/643
- D631,917 S * 2/2011 Ricci D20/10
- D636,023 S * 4/2011 Krause D19/59
- D642,810 S * 8/2011 Mann D6/300
- D651,416 S * 1/2012 Martin D6/332
- D671,764 S * 12/2012 Pazhoor D6/643
- D671,767 S * 12/2012 Pazhoor D6/643
- D817,010 S * 5/2018 Macineira D6/300
- D831,117 S * 10/2018 Yoon D20/10
- D838,774 S * 1/2019 Jana D19/59
- 2010/0177019 A1 * 7/2010 Jeong H04N 1/00347 345/1.3
- 2017/0328127 A1 * 11/2017 Stathis A47B 21/06

* cited by examiner

Primary Examiner — Kevin K Rudzinski

Assistant Examiner — Kimberly Barnes

(74) *Attorney, Agent, or Firm* — Gunn, Lee & Cave, P.C.; Ted E. Lee

(57) **CLAIM**

An ornamental design for a portable display stand for students, as shown and described.

DESCRIPTION

FIG. 1 is a top plan view of a portable display stand for students showing my new design.

FIG. 2 is a front elevation view of FIG. 1.

FIG. 3 is a left-side elevation view of FIG. 1.

FIG. 4 is a right-side elevation view of FIG. 1.

FIG. 5 is a back elevation view of FIG. 1.

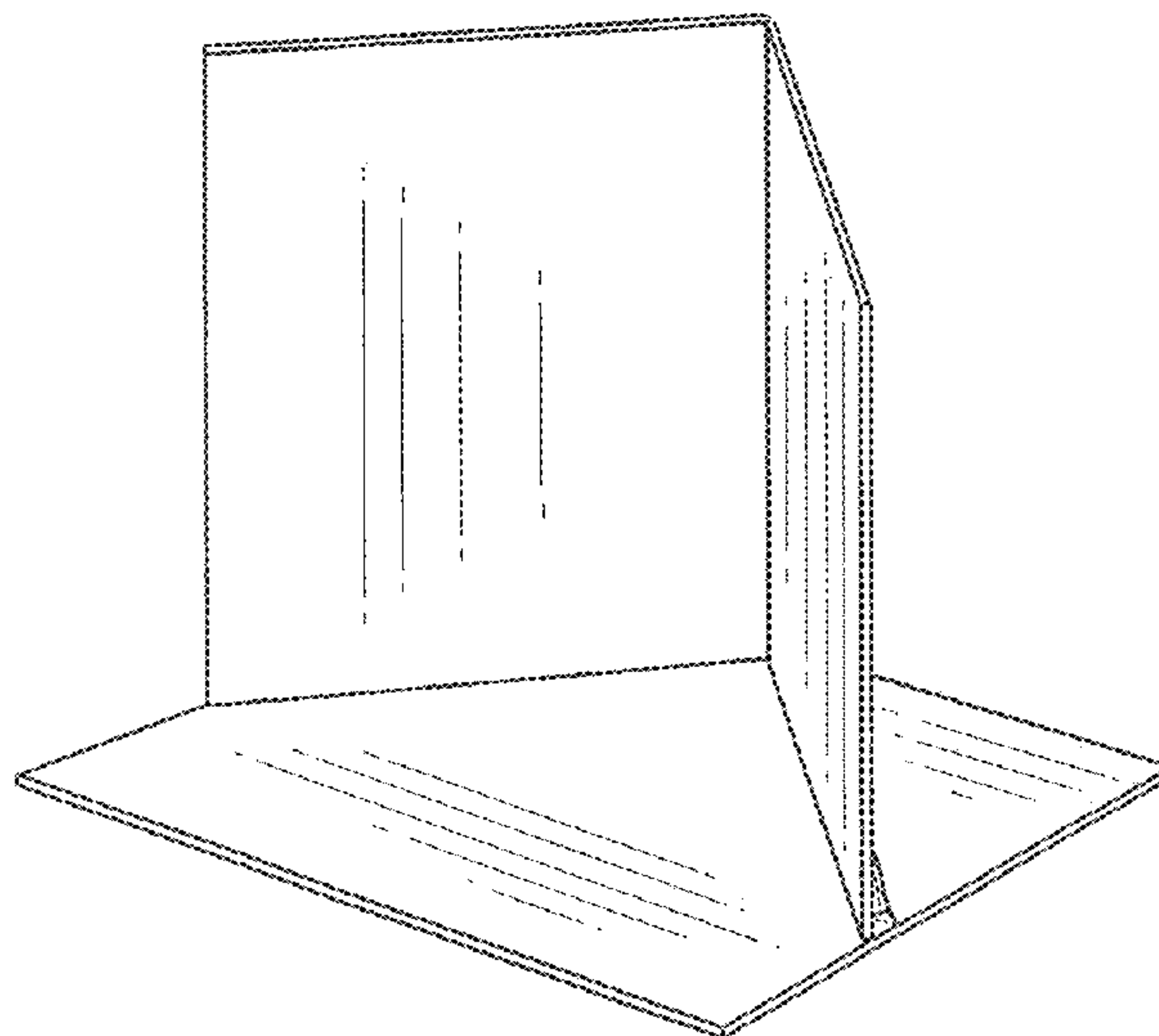
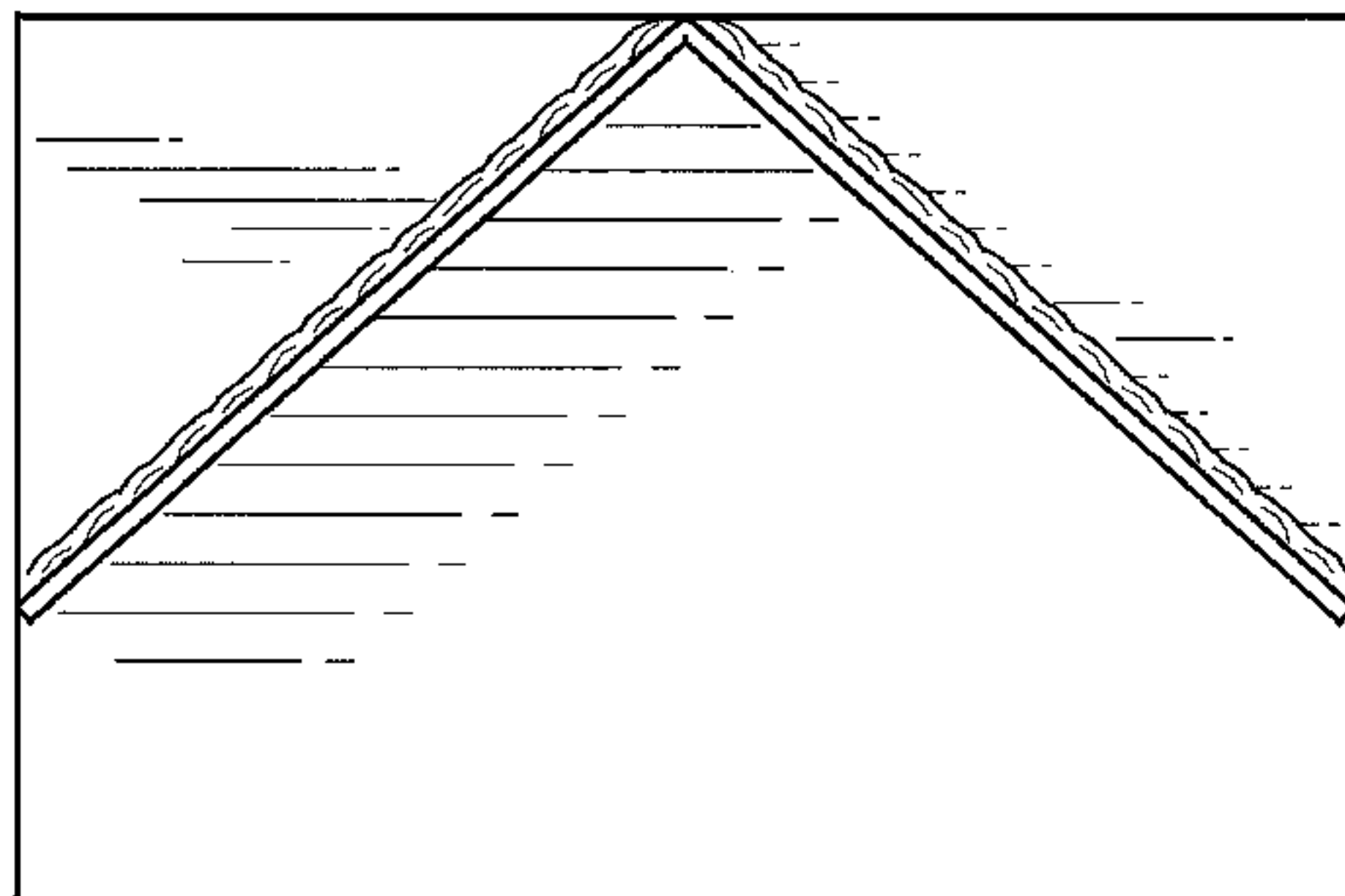
FIG. 6 is a bottom plan view of FIG. 1.

FIG. 7 is a front perspective view of the portable display stand for students; and,

FIG. 8 is a front perspective view showing the portable display stand for students in use.

The broken lines shown in FIG. 8 depict environmental subject matter that forms no part of the claimed design.

1 Claim, 5 Drawing Sheets



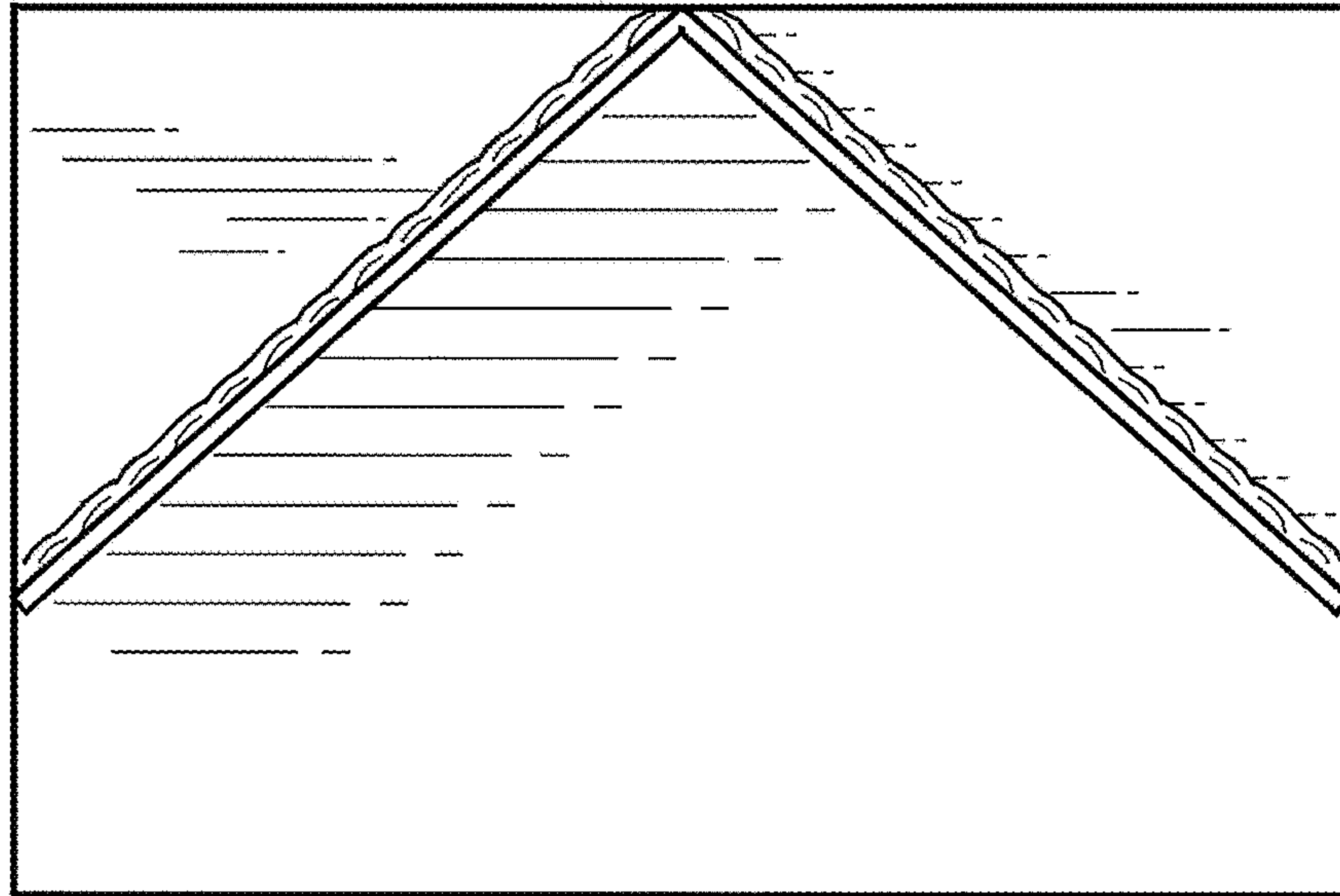


Fig. 1

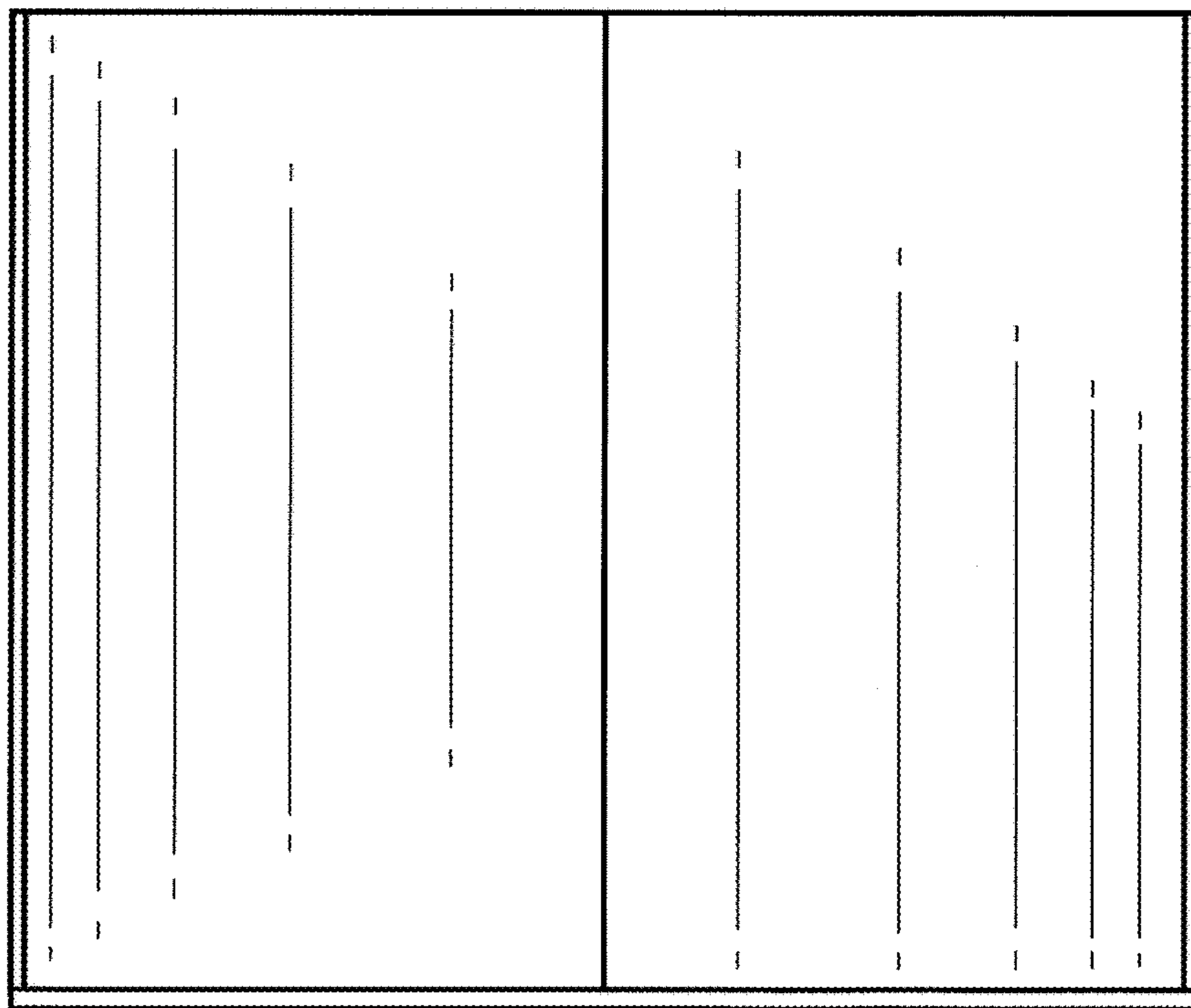


Fig. 2

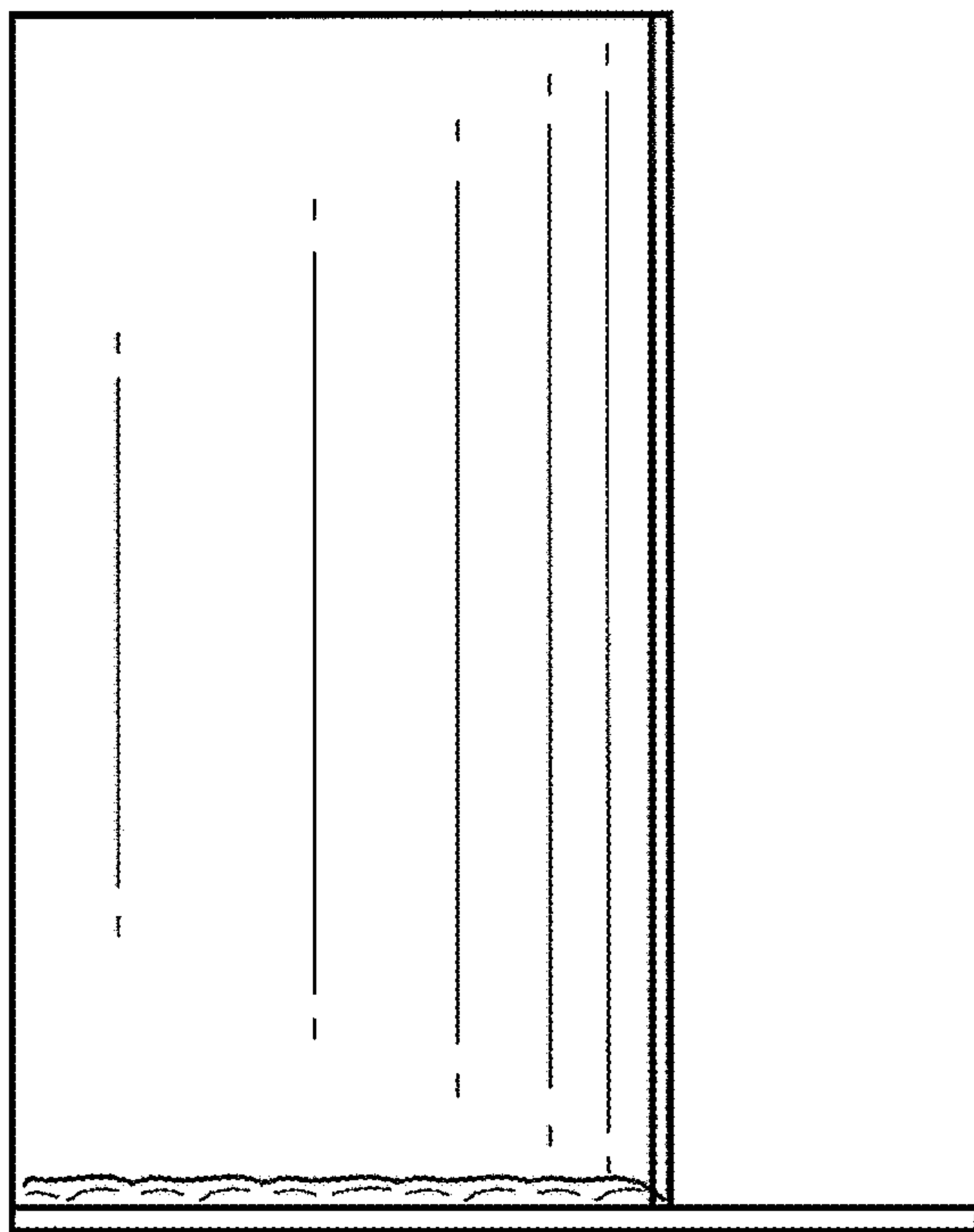


Fig. 3

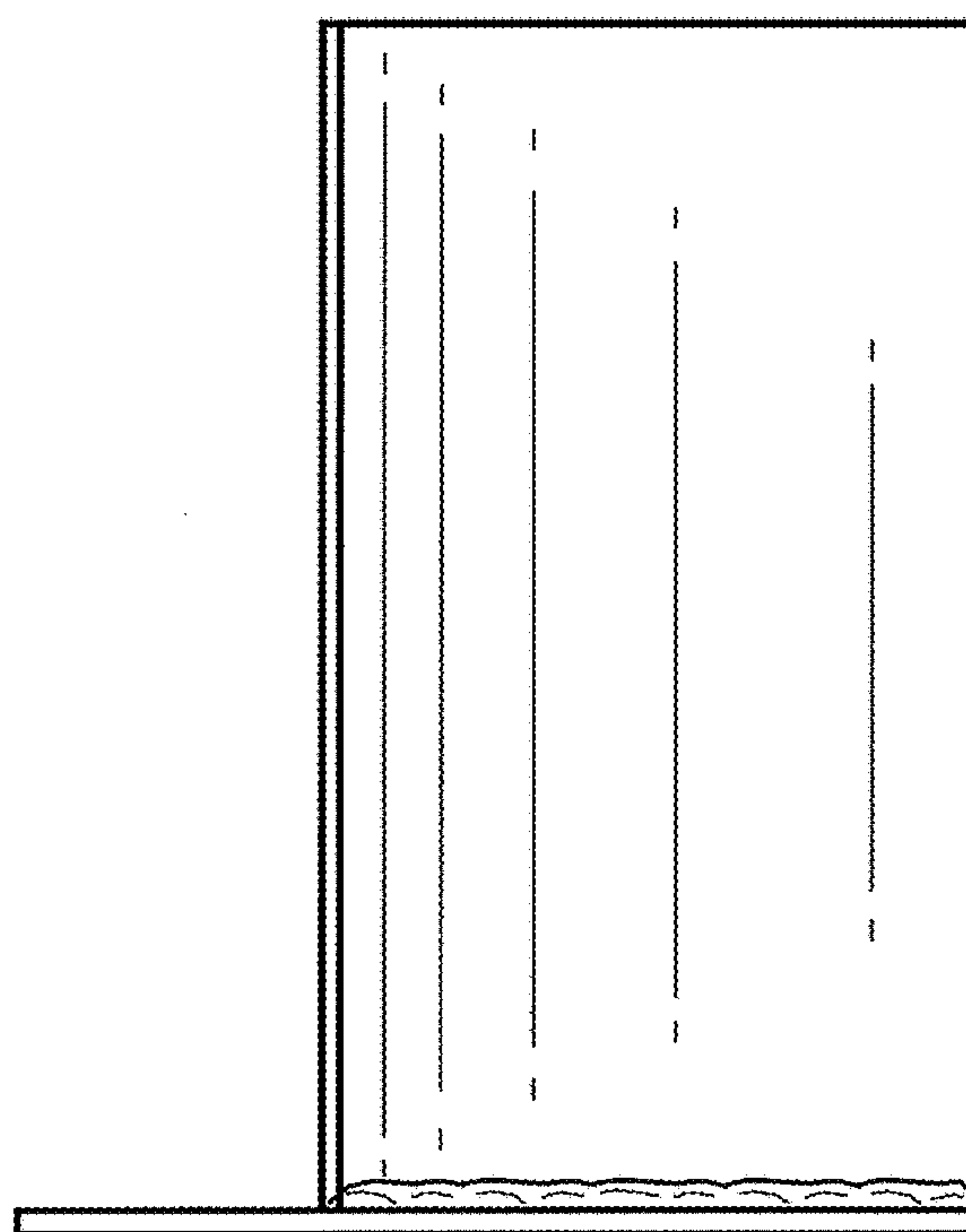


Fig. 4

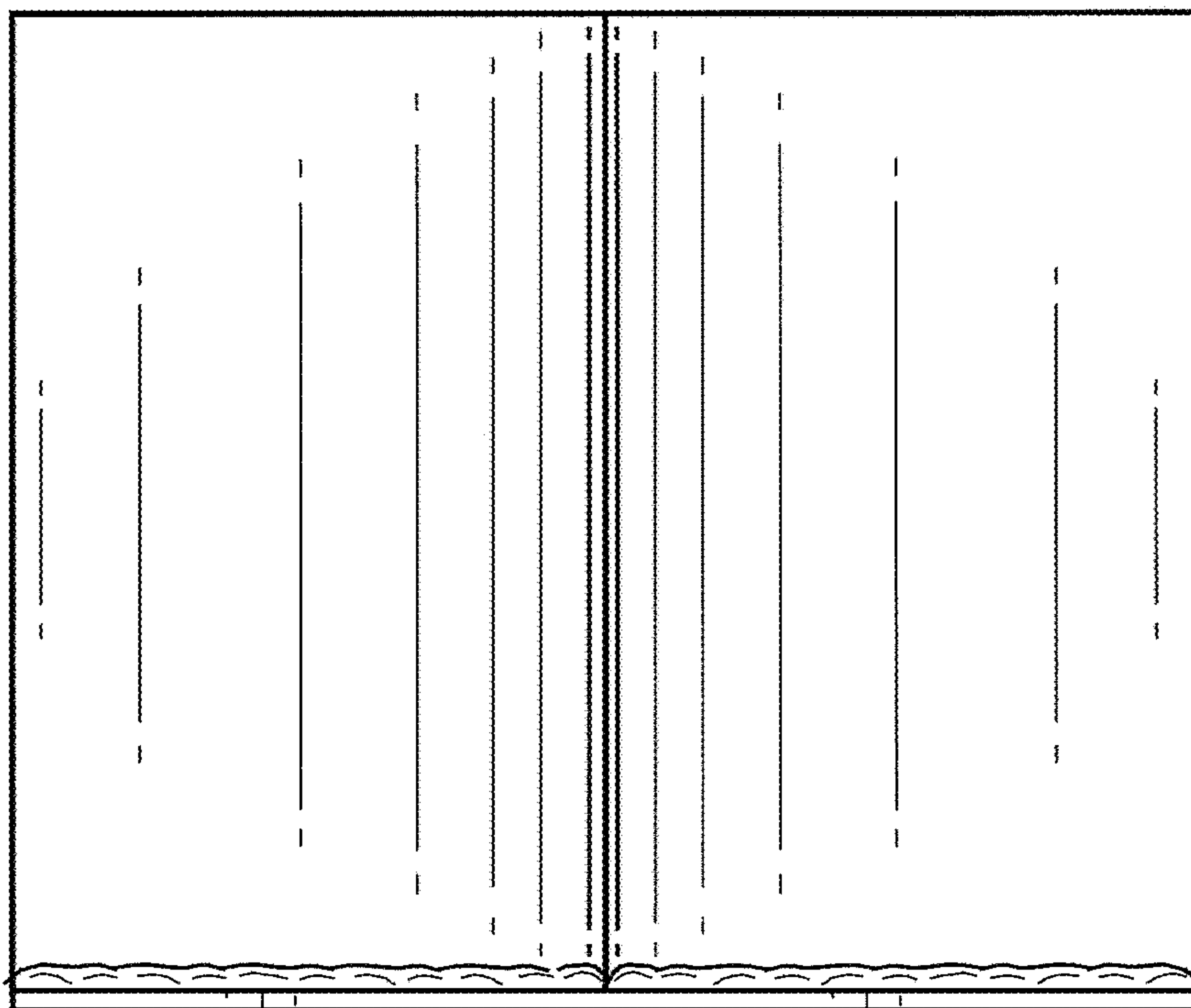


Fig. 5

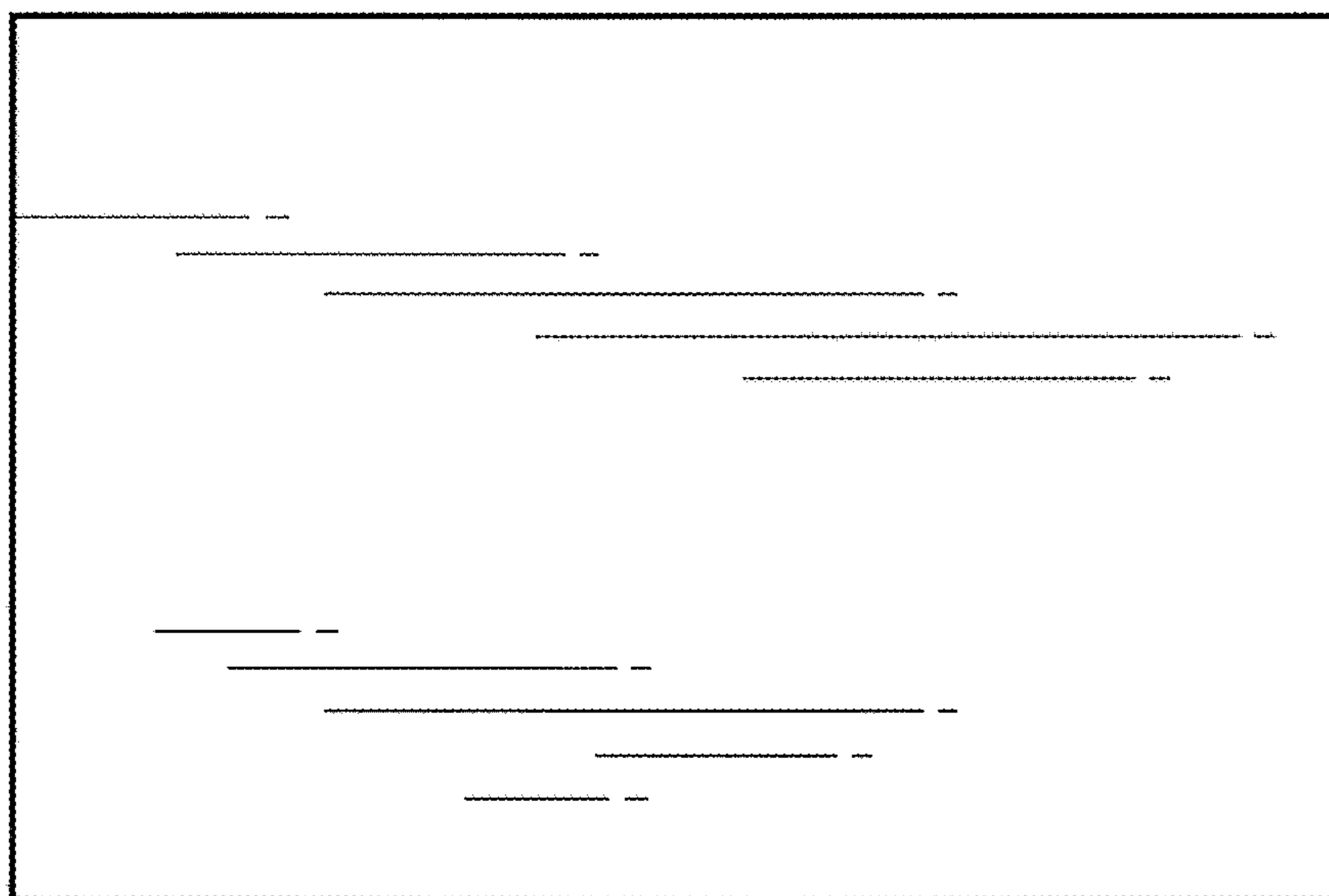


Fig. 6

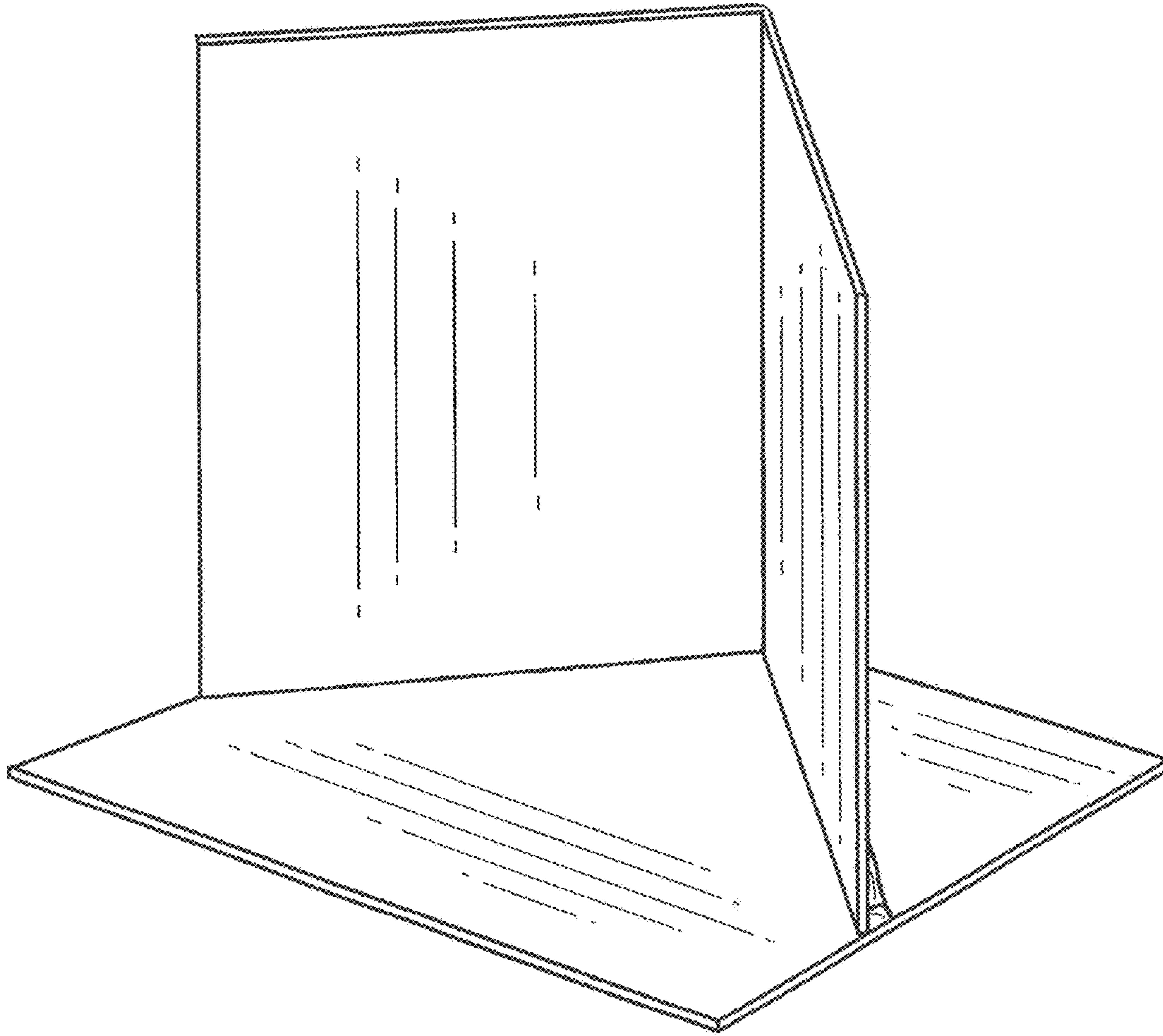


Fig. 7

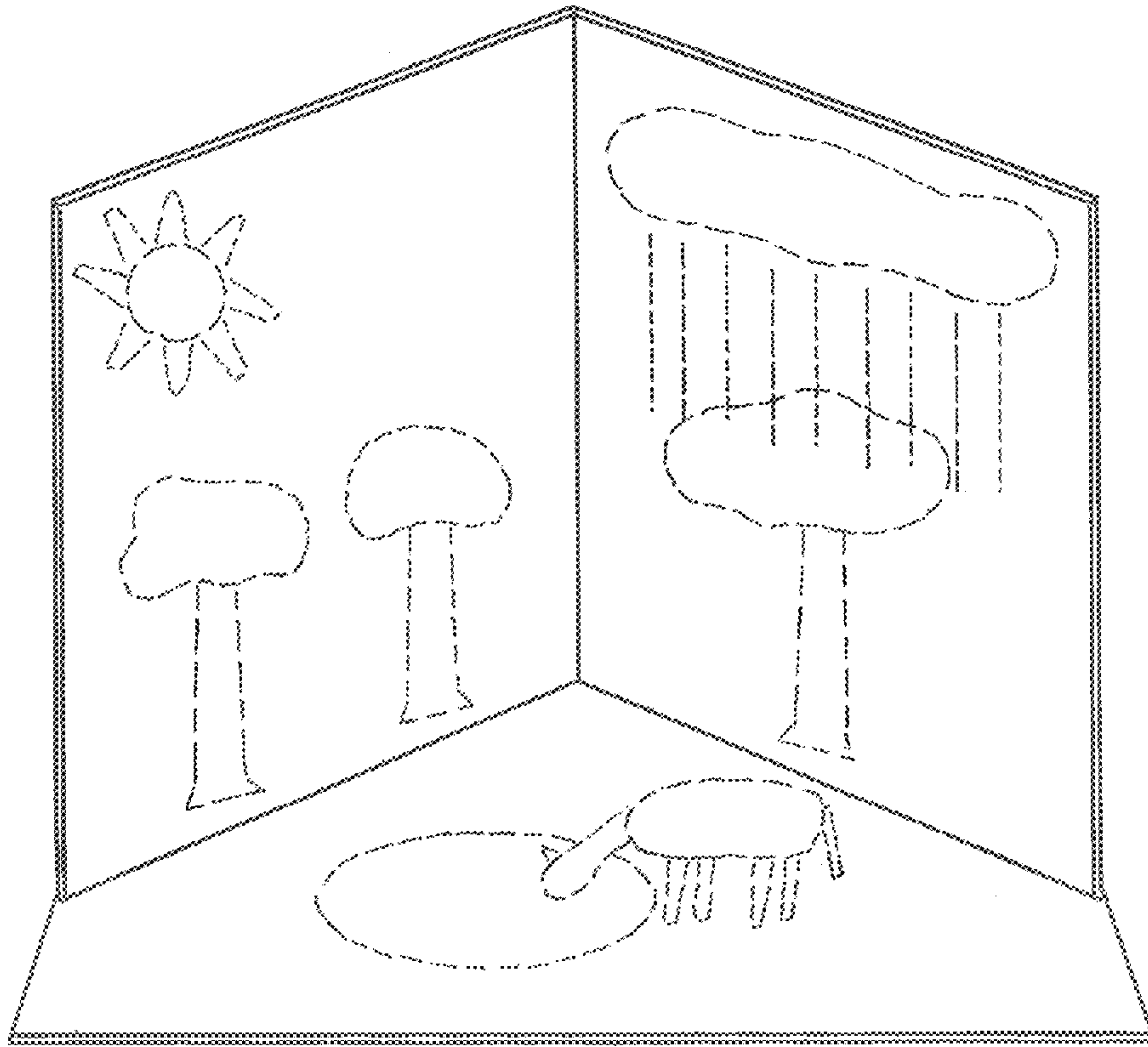


Fig. 8