



US00D861068S

(12) **United States Design Patent**
Navarrete et al.

(10) **Patent No.:** **US D861,068 S**
(45) **Date of Patent:** **** Sep. 24, 2019**

(54) **PAPER EXIT PANEL FOR A
MULTI-FUNCTION
ELECTROPHOTOGRAPHIC PRINTER
SCANNER**

(71) Applicant: **Lexmark International, Inc.,**
Lexington, KY (US)

(72) Inventors: **Neilson Gutay Navarrete**, Cebu (PH);
Oliver Ocares Quismundo, Matalom
(PH)

(73) Assignee: **Lexmark International, Inc.,**
Lexington, KY (US)

(**) Term: **15 Years**

(21) Appl. No.: **29/621,581**

(22) Filed: **Oct. 10, 2017**

(51) **LOC (12) Cl.** **14-02**

(52) **U.S. Cl.**
USPC **D18/56**

(58) **Field of Classification Search**
USPC D14/299, 301–303, 307, 332, 420–425,
D14/432, 439, 441, 443, 447, 462–471,
D14/474, 480.5, 483–484; D18/12, 14,
D18/18–19, 36–41, 43–54, 55–59, 54.1,
D18/99
CPC .. G06K 15/12; G06K 15/14; B41J 3/00; B41J
3/28; B41J 11/00; B41J 11/58; B41J
15/12; B41J 15/042; G03G 15/00; G03G
15/0142; H04N 1/00129; H04N 1/00135;
H04N 1/00204; H04N 1/00278
See application file for complete search history.

(56) **References Cited**

U.S. PATENT DOCUMENTS

D532,450 S * 11/2006 Smith D18/55
D561,250 S * 2/2008 Smith D18/55
D617,374 S * 6/2010 Sasaki D18/50

D619,639 S * 7/2010 Brown D18/40
D642,212 S * 7/2011 Terenzio D18/55
D664,190 S * 7/2012 Matsuda D18/39
D664,191 S * 7/2012 Saito D18/39
D664,591 S * 7/2012 Ohta D18/41
D665,012 S * 8/2012 Saito D18/39
D694,318 S * 11/2013 Jihoon D18/50

(Continued)

OTHER PUBLICATIONS

Lexmark MB2546adwe, available from Oct. 9, 2018, amazon.com
[online]. Retrieved May 13, 2019 from internet. See footer of NPL
for URL. (Year: 2018).*

Primary Examiner — Karen E Kearney
Assistant Examiner — Andrew T Nemeth

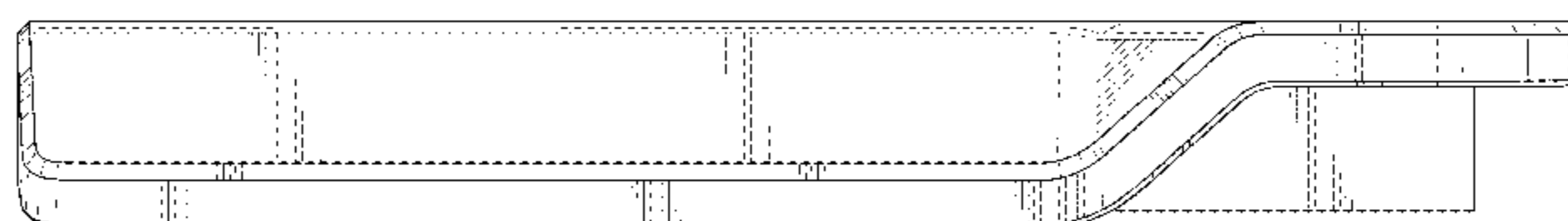
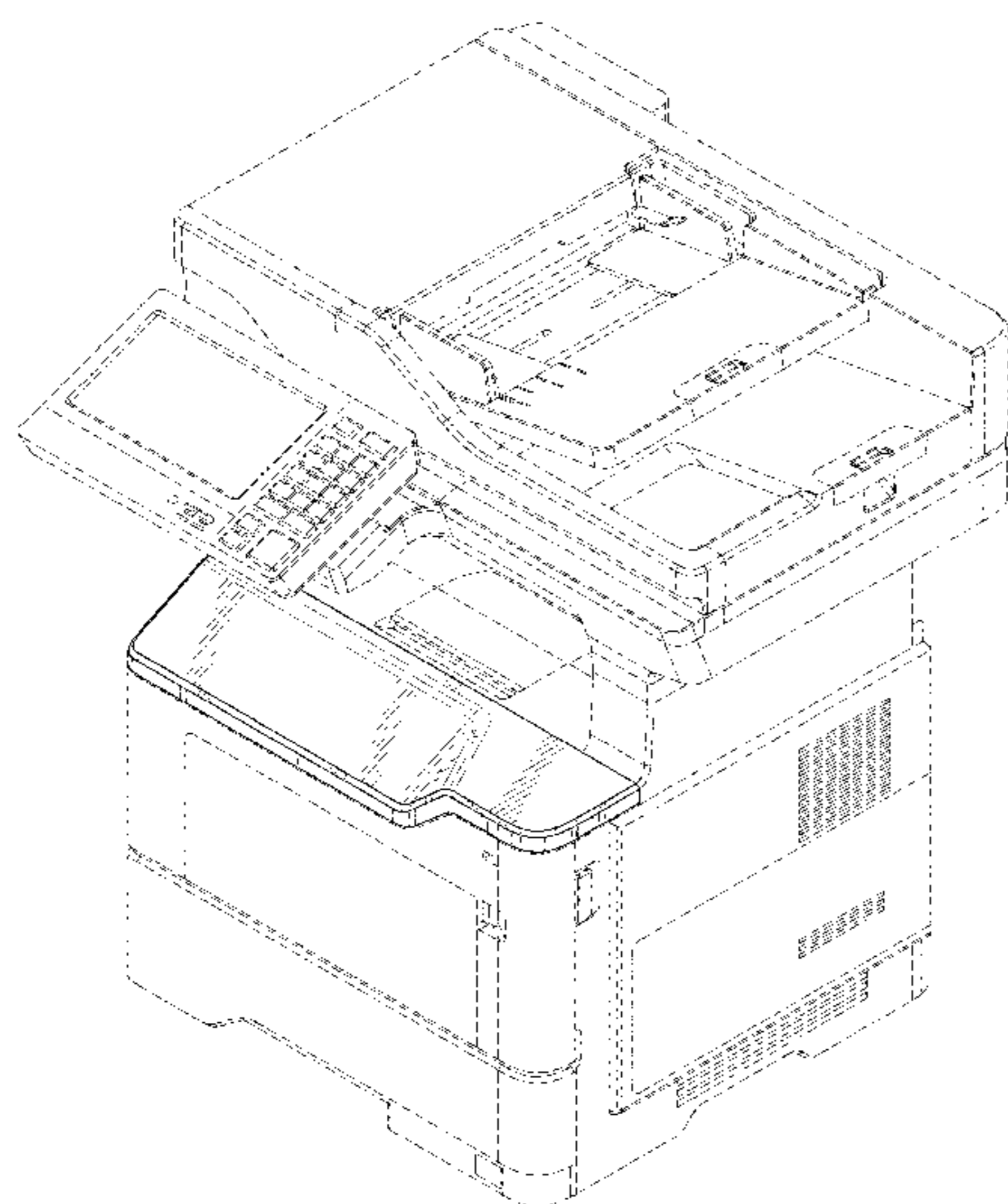
(57) **CLAIM**

The ornamental design for a paper exit panel for a multi-
function electrophotographic printer scanner, as shown and
described.

DESCRIPTION

FIG. 1 is a top, front and right side perspective view for a
paper exit panel for a multi-function electrophotographic
printer scanner showing our new design;
FIG. 2 is a top, front and right side perspective view of the
paper exit panel for a multi-function electrophotographic
printer scanner in isolation;
FIG. 3 is a bottom, front, and right side perspective thereof;
FIG. 4 is a bottom, rear and left side perspective thereof;
FIG. 5 is a front elevation thereof;
FIG. 6 is a rear elevation thereof;
FIG. 7 is a right side view elevation thereof;
FIG. 8 is a left side view elevation thereof;
FIG. 9 is a top plan view thereof; and,
FIG. 10 is a bottom plan view thereof.
The features shown in broken lines depict environmental
subject matter only and form no part of the claimed design.

1 Claim, 6 Drawing Sheets



(56)

References Cited

U.S. PATENT DOCUMENTS

8,619,273	B2 *	12/2013	Mukai	G03G 15/605
				358/1.13
D789,445	S *	6/2017	Kanaoka	D18/39
D792,924	S *	7/2017	Dwyer	D18/56
D820,907	S *	6/2018	Brown	D18/53
D821,490	S *	6/2018	Mita	D18/55
D841,731	S *	2/2019	Brown	D18/47

* cited by examiner

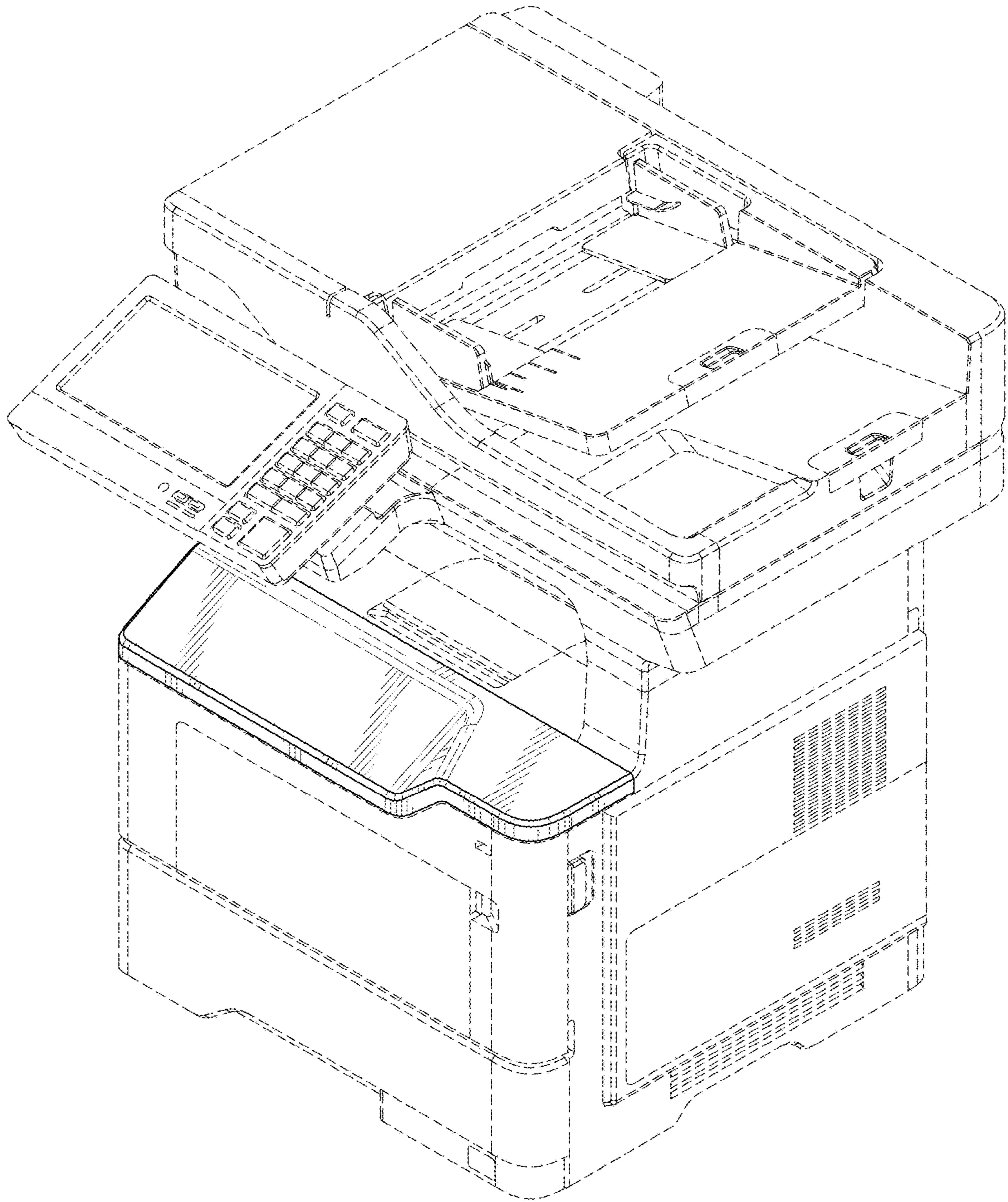


FIG. 1

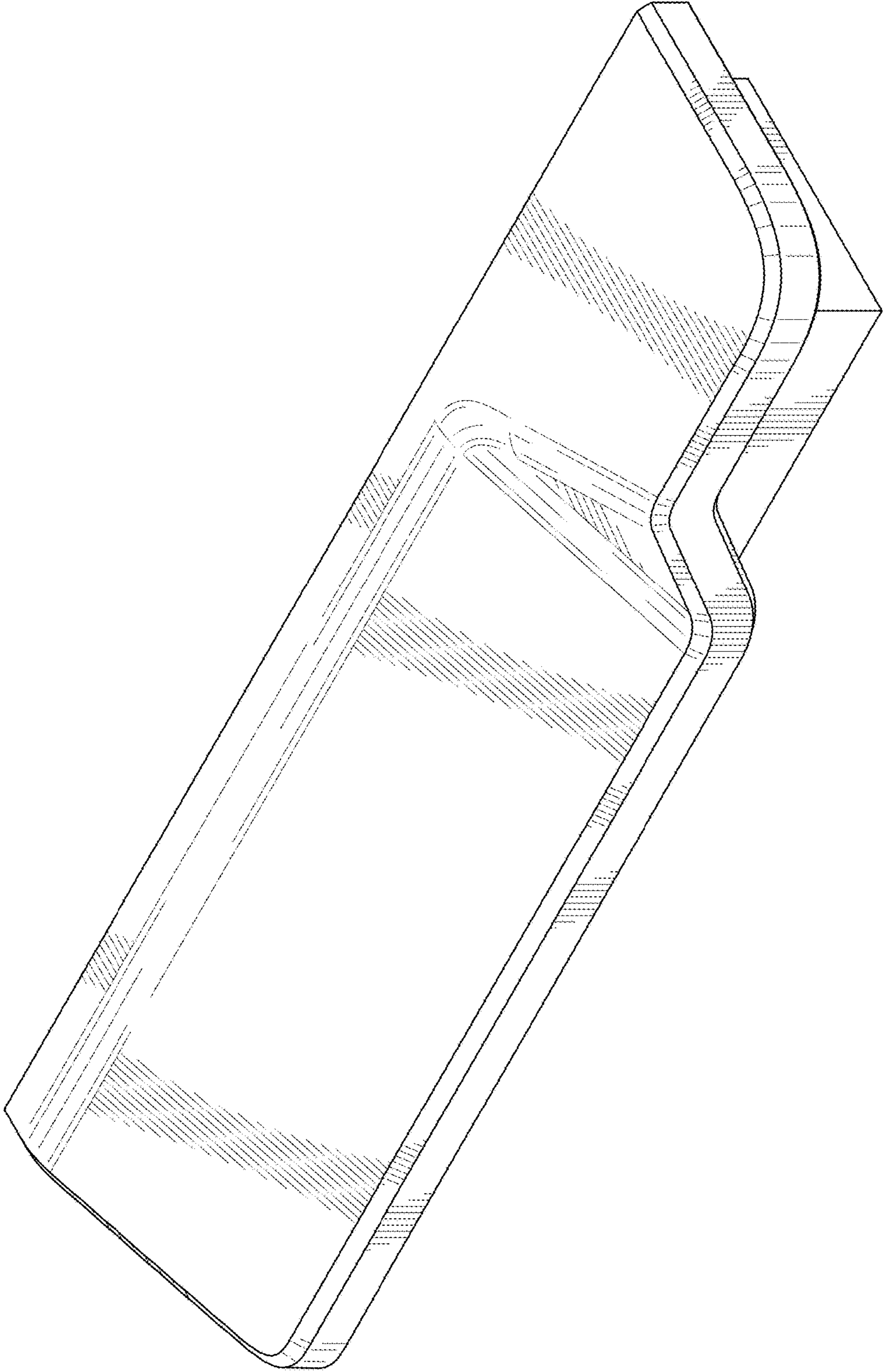


FIG. 2

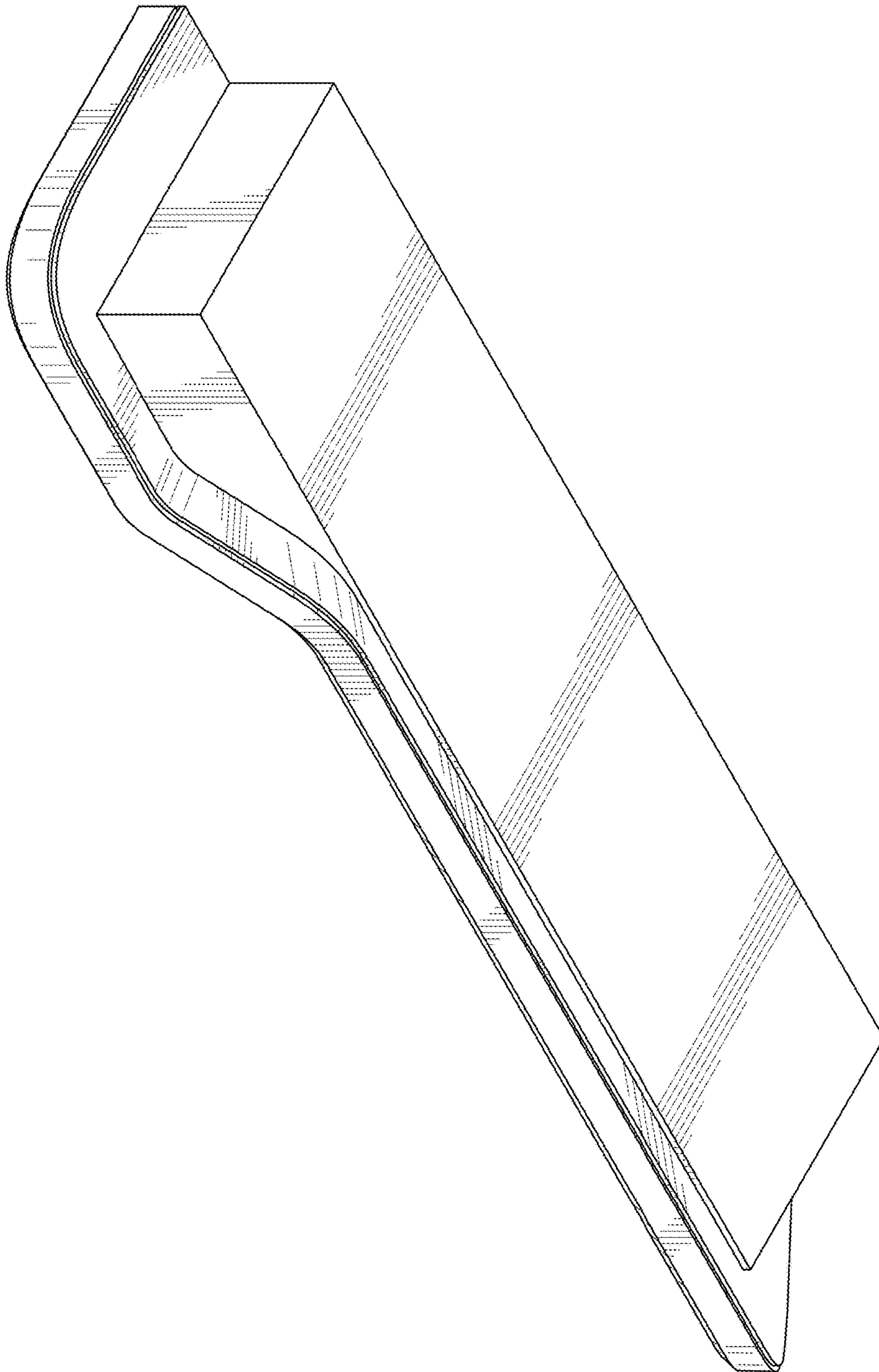


FIG. 3

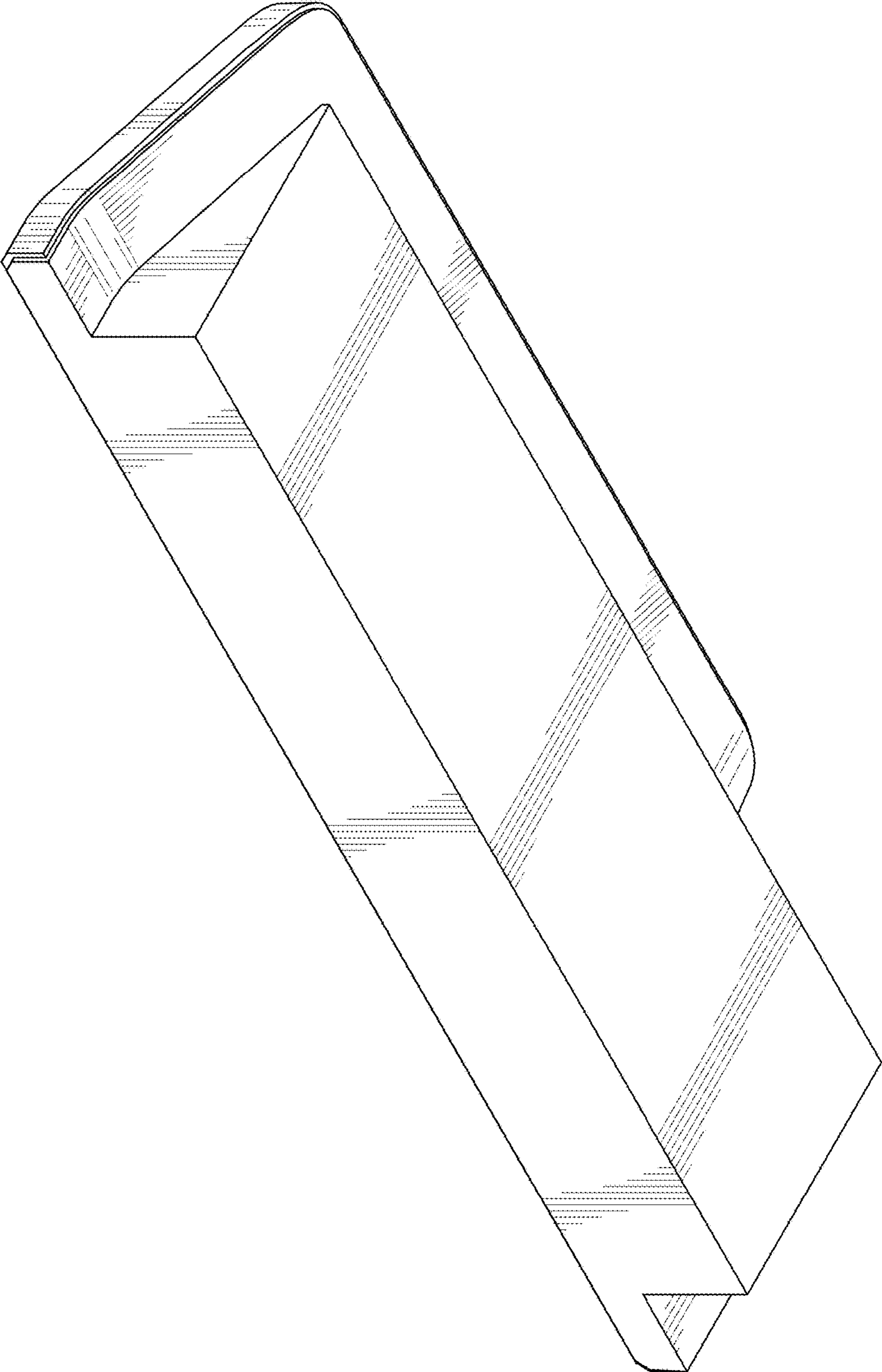


FIG. 4

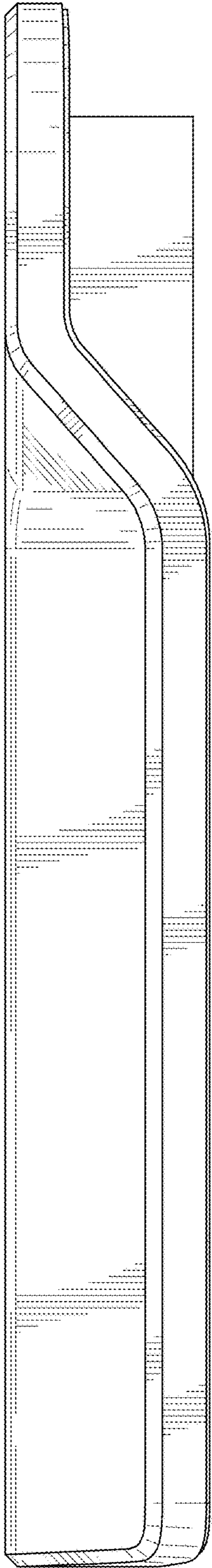


FIG. 5

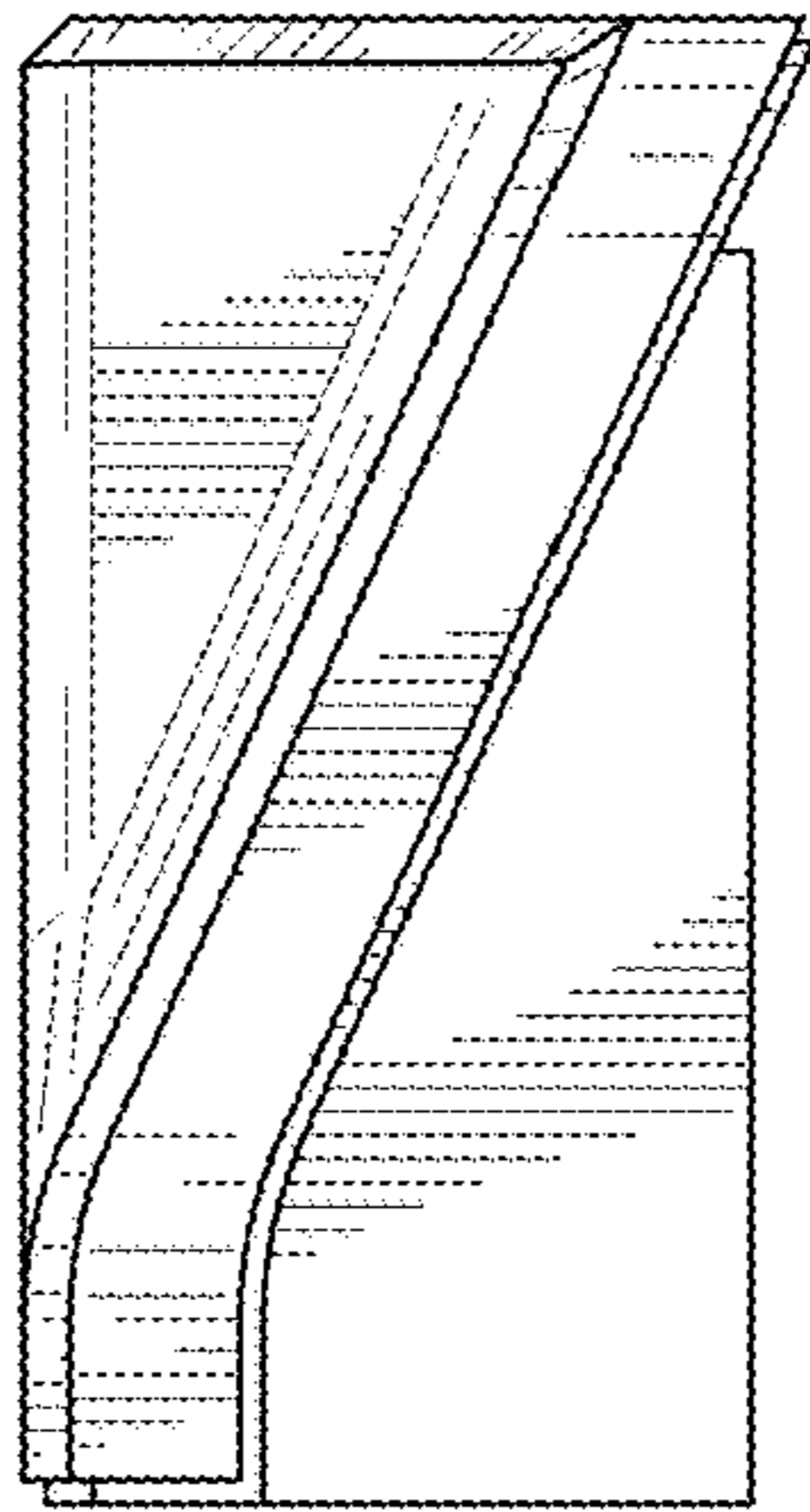


FIG. 8

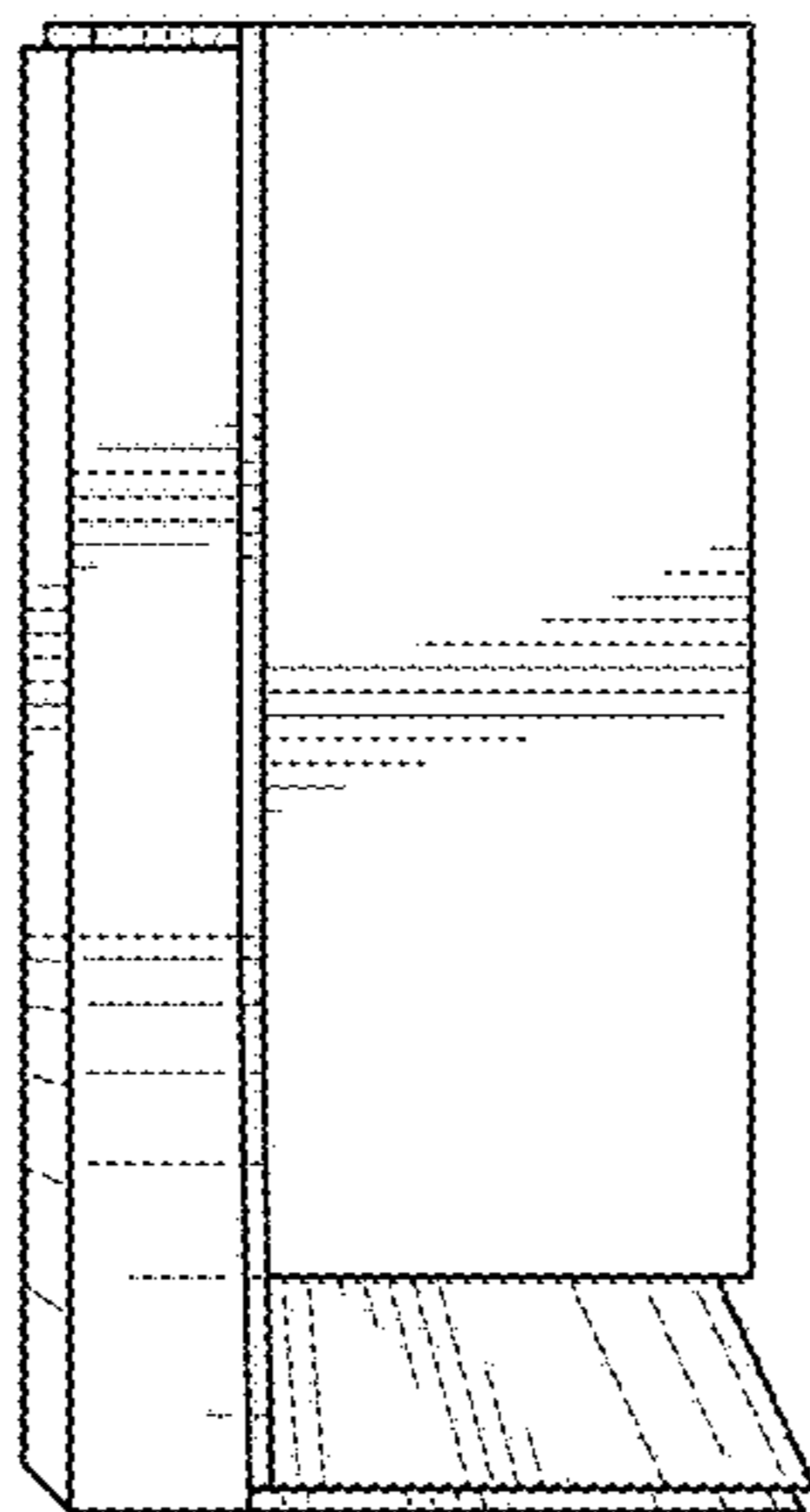


FIG. 7

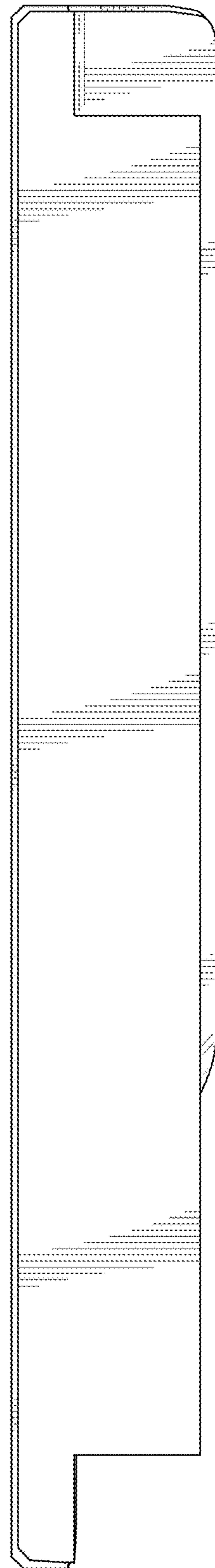


FIG. 6

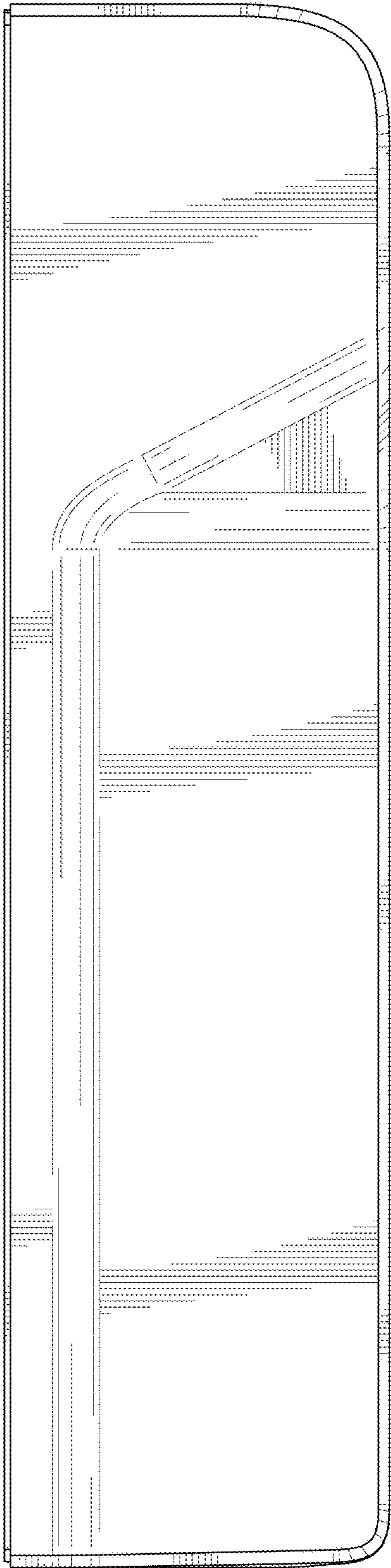


FIG. 9

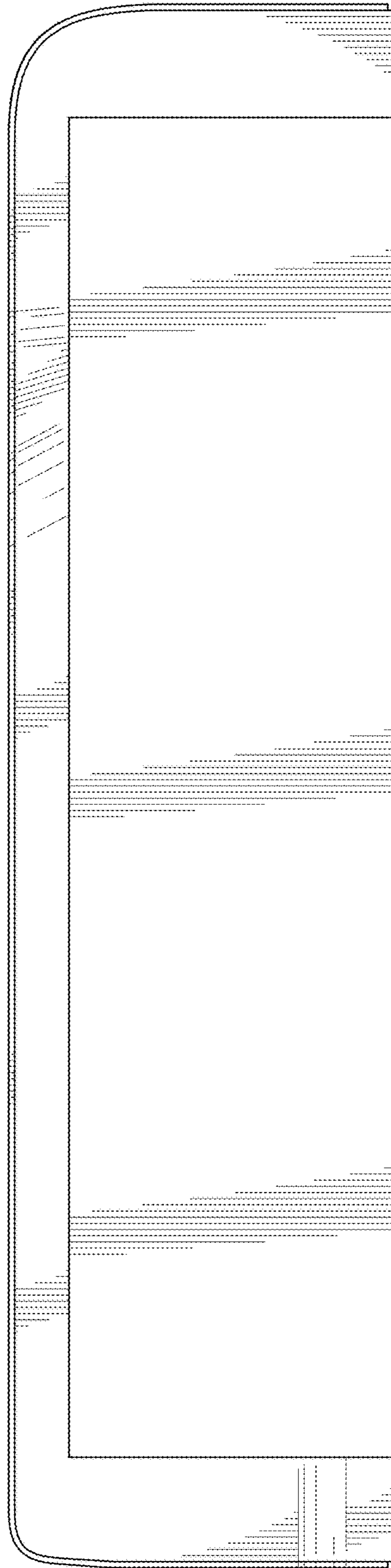


FIG. 10