



US00D861067S

(12) **United States Design Patent**  
**Navarrete et al.**

(10) **Patent No.:** **US D861,067 S**

(45) **Date of Patent:** **\*\* Sep. 24, 2019**

(54) **PAPER DRAWER PANEL FOR AN ELECTROPHOTOGRAPHIC PRINTER**

(71) Applicant: **Lexmark International, Inc.**,  
Lexington, KY (US)

(72) Inventors: **Neilson Gutay Navarrete**, Cebu (PH);  
**Oliver Ocares Quismundo**, Matalom (PH)

(73) Assignee: **Lexmark International, Inc.**,  
Lexington, KY (US)

(\*\*) Term: **15 Years**

(21) Appl. No.: **29/621,308**

(22) Filed: **Oct. 6, 2017**

(51) **LOC (12) Cl.** ..... **14-02**

(52) **U.S. Cl.**  
USPC ..... **D18/56**

(58) **Field of Classification Search**  
USPC ..... D14/299, 301-303, 307, 332, 420-425,  
D14/432, 439, 441, 443, 447, 462-471,  
D14/474, 480.5, 483-484; D18/12, 14,  
D18/18-19, 36-41, 43-54, 55-59, 54.1,  
D18/99

CPC .. G06K 15/12; G06K 15/14; B41J 3/00; B41J  
3/28; B41J 11/00; B41J 11/58; B41J  
15/12; B41J 15/042; G03G 15/00; G03G  
15/0142; H04N 1/00129; H04N 1/00135;  
H04N 1/00204; H04N 1/00278

See application file for complete search history.

(56) **References Cited**

**U.S. PATENT DOCUMENTS**

D566,755 S \* 4/2008 Gant ..... D18/50  
D705,781 S \* 5/2014 Yin ..... D14/421  
D734,338 S \* 7/2015 Nakagawa ..... D14/421  
D756,361 S \* 5/2016 Huang ..... D14/421  
9,855,771 B2 \* 1/2018 Sugiyama ..... B65H 31/02

D814,470 S \* 4/2018 Chin ..... D14/421  
D826,321 S \* 8/2018 Kim ..... D18/53  
D830,451 S \* 10/2018 Makino ..... D18/53  
D832,343 S \* 10/2018 Kim ..... D18/53  
2015/0258798 A1 \* 9/2015 Miyamoto ..... B41J 2/175  
347/85

(Continued)

**OTHER PUBLICATIONS**

Lexmark MB2546adwe, available from Oct. 9, 2018, amazon.com [online]. Retrieved May 13, 2019 from internet. See footer of NPL for URL (Year: 2018).\*

*Primary Examiner* — Karen E Kearney

*Assistant Examiner* — Andrew T Nemeth

(57) **CLAIM**

The ornamental design for a paper drawer panel for an electrophotographic printer, as shown and described.

**DESCRIPTION**

FIG. 1 is a top, front and right side perspective view of a paper drawer panel for an electrophotographic printer showing our new design;

FIG. 2 is a top, front and right side perspective view of the paper drawer panel for an electrophotographic printer in isolation;

FIG. 3 is a bottom, front, and right side perspective thereof;

FIG. 4 is a top, rear and left side perspective thereof;

FIG. 5 is a front elevation thereof;

FIG. 6 is a rear elevation thereof;

FIG. 7 is a right side view elevation thereof;

FIG. 8 is a left side view elevation thereof;

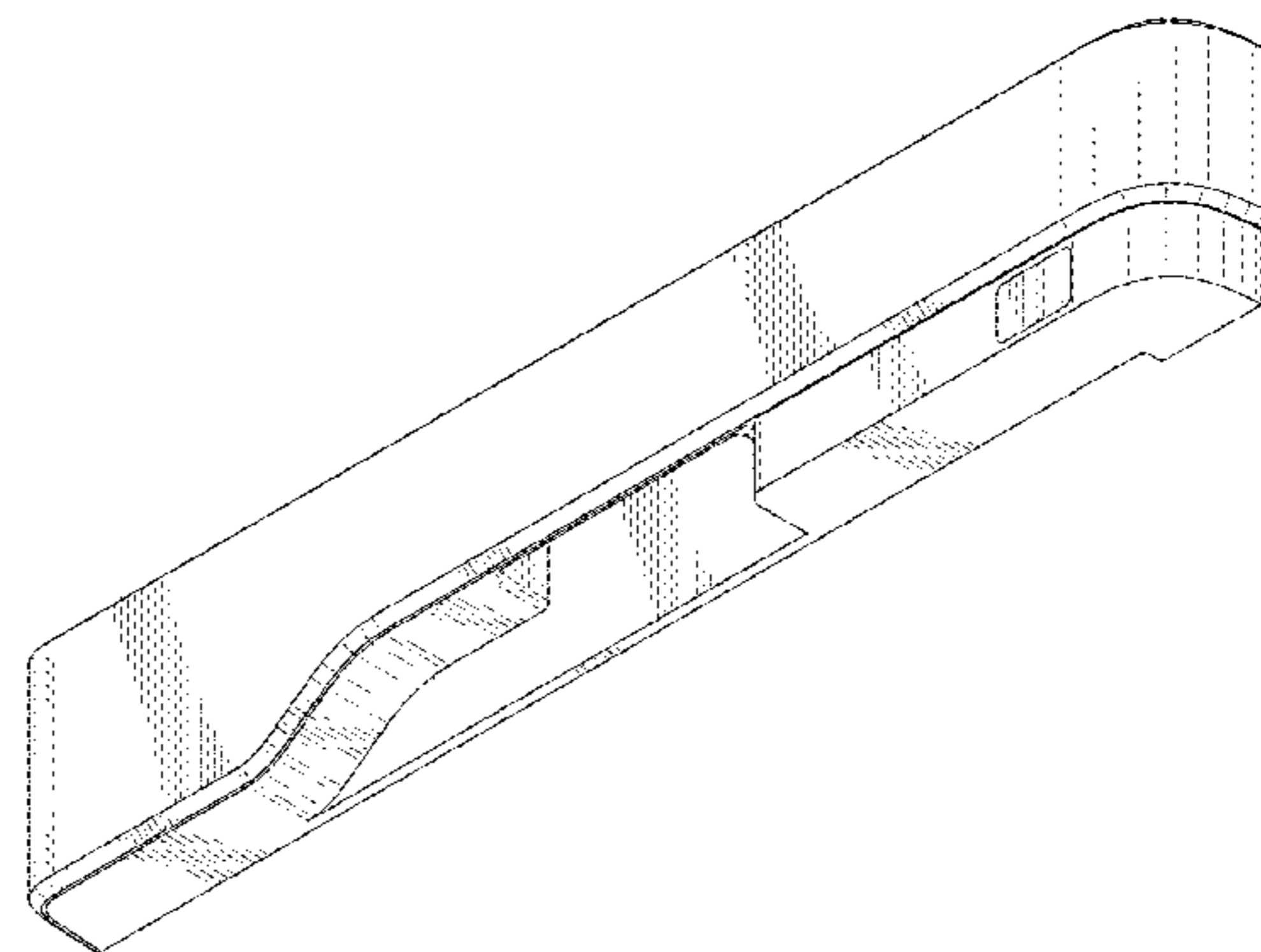
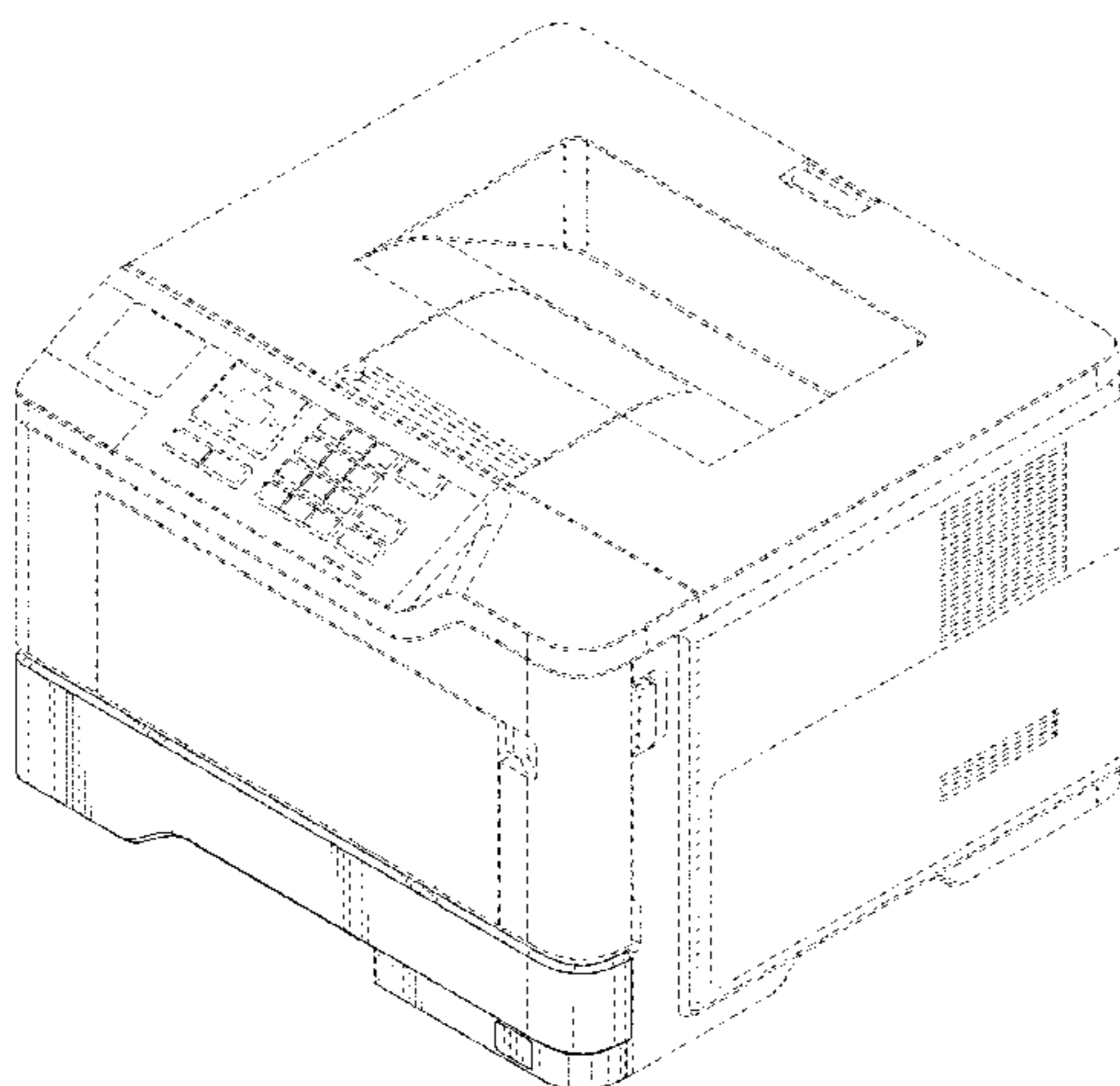
FIG. 9 is a top plan view thereof;

FIG. 10 is a bottom plan view thereof; and,

FIG. 11 is a section view, the section identified in FIG. 5.

The features shown in broken lines depict environmental subject matter only and form no part of the claimed design.

**1 Claim, 6 Drawing Sheets**



(56)

**References Cited**

U.S. PATENT DOCUMENTS

2017/0217222 A1\* 8/2017 Sugiyama ..... B65H 31/02  
2017/0217699 A1\* 8/2017 Washino ..... B41J 11/58

\* cited by examiner

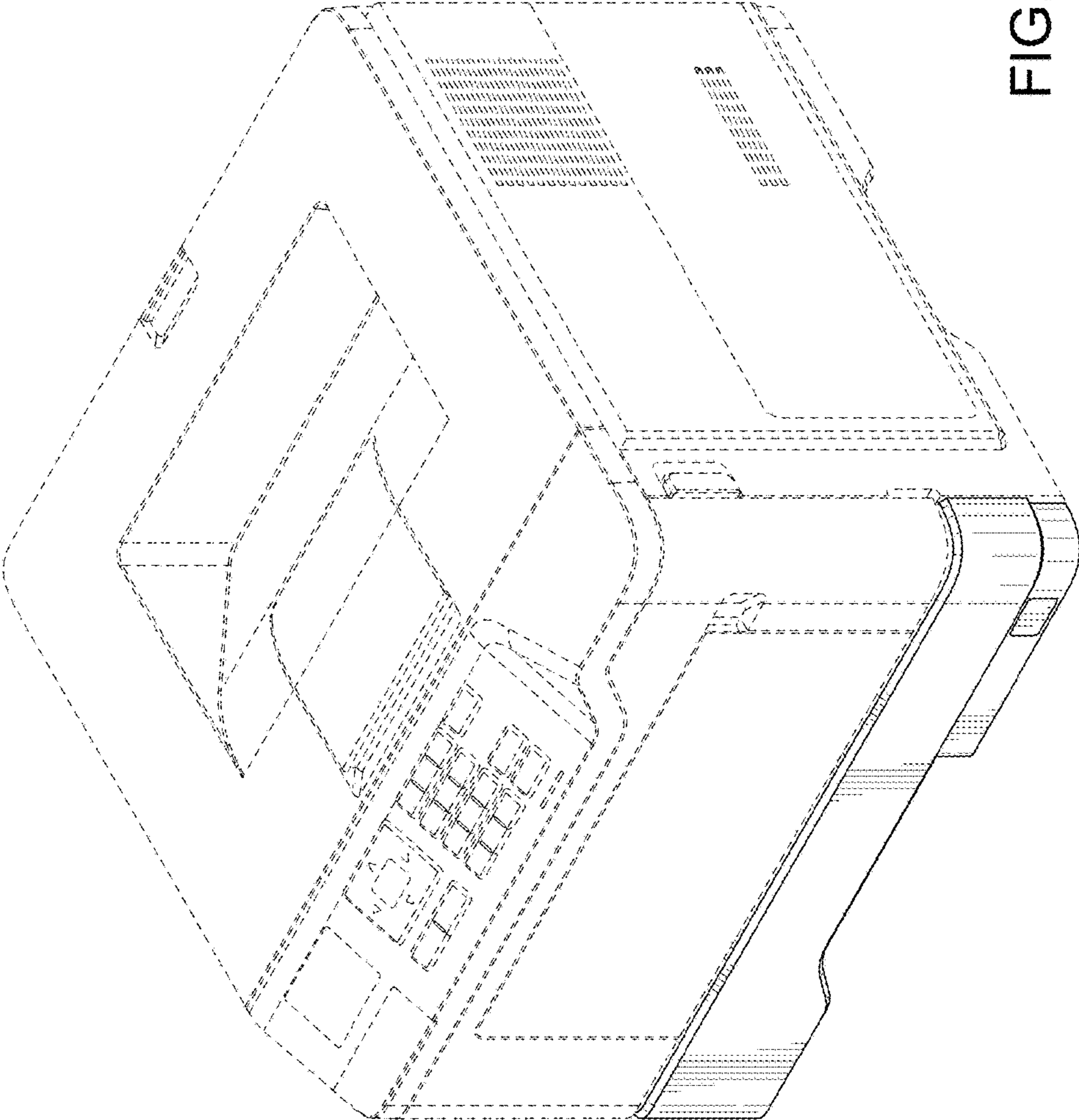


FIG. 1

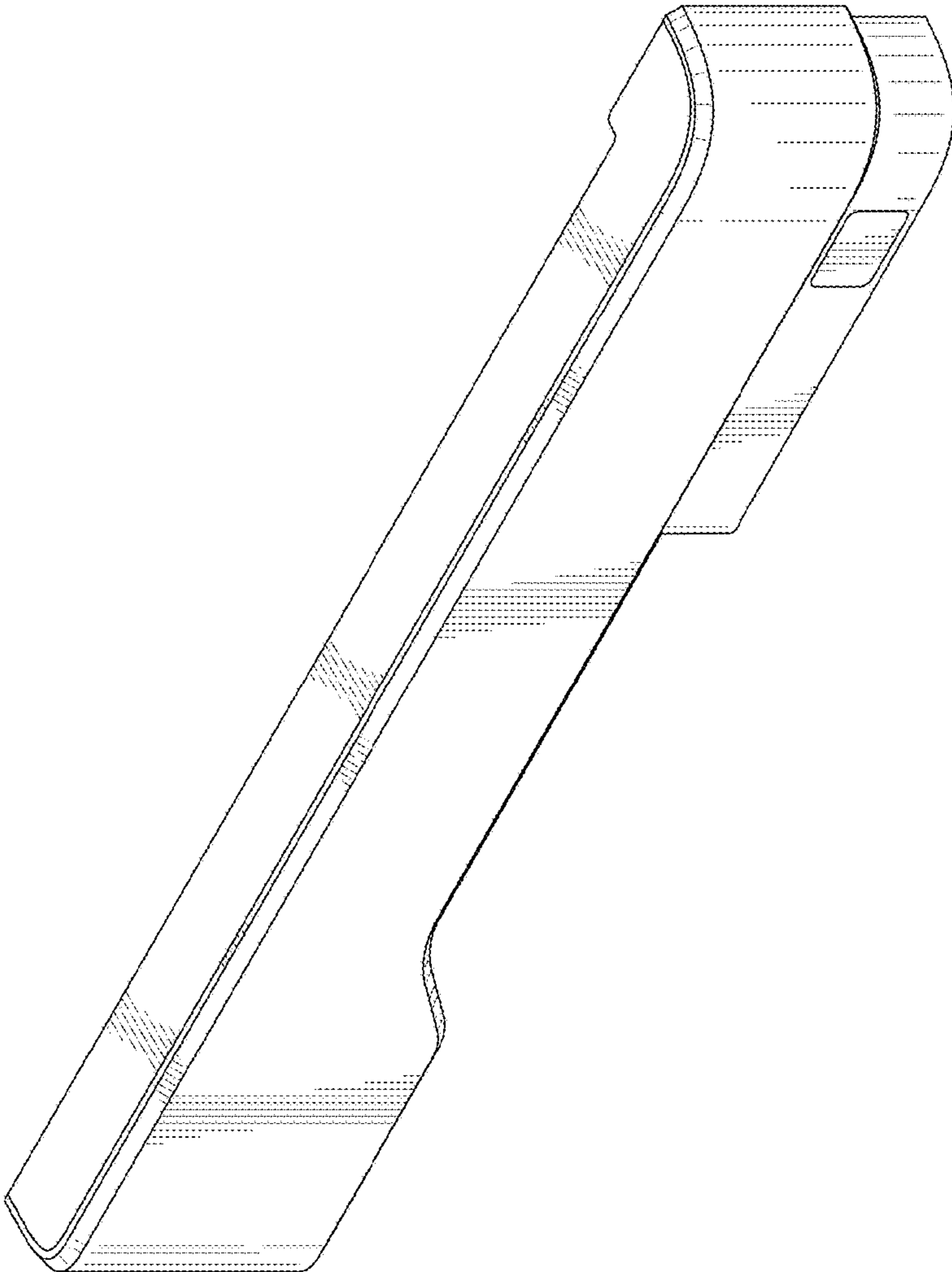


FIG. 2

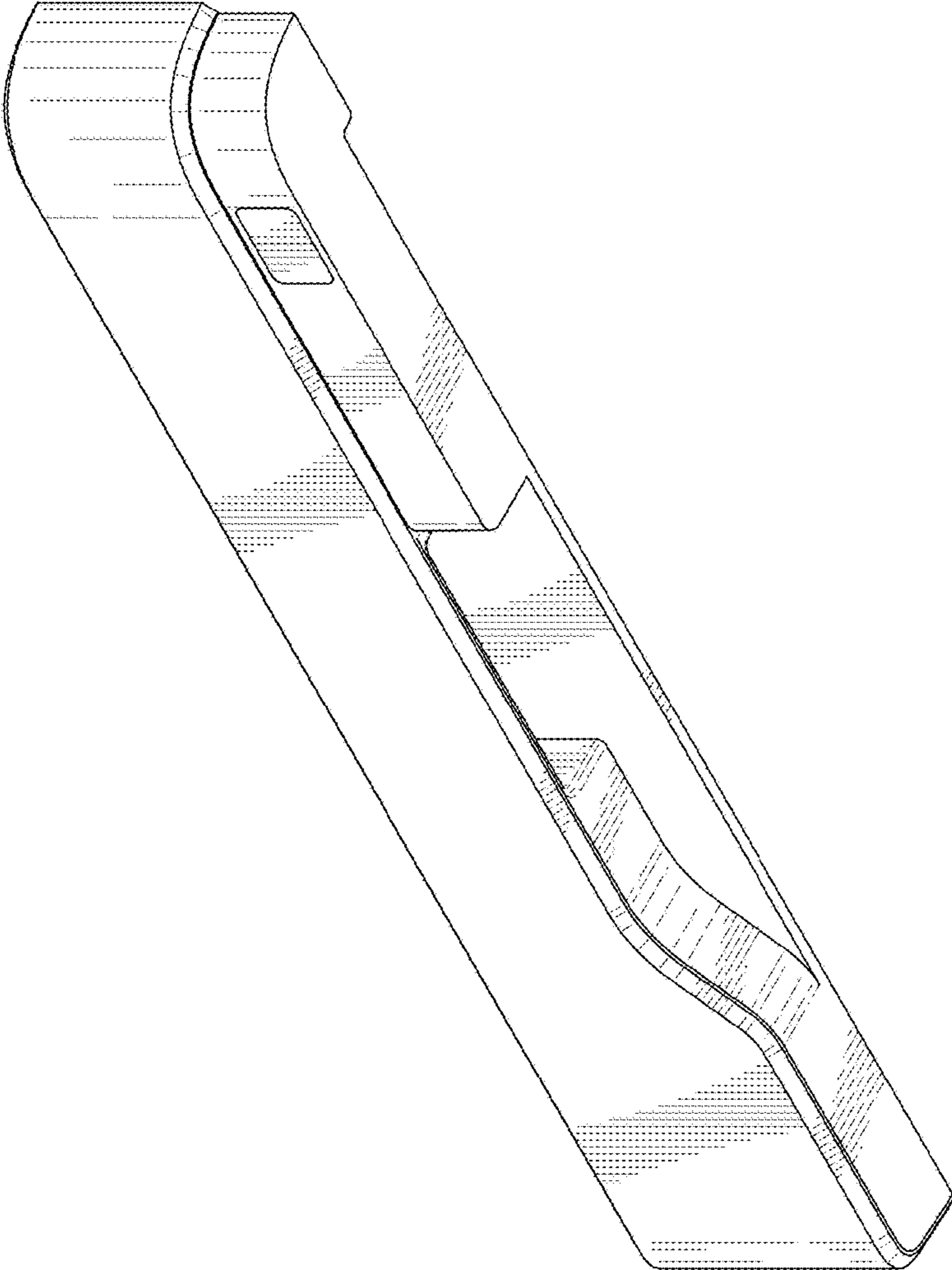


FIG. 3

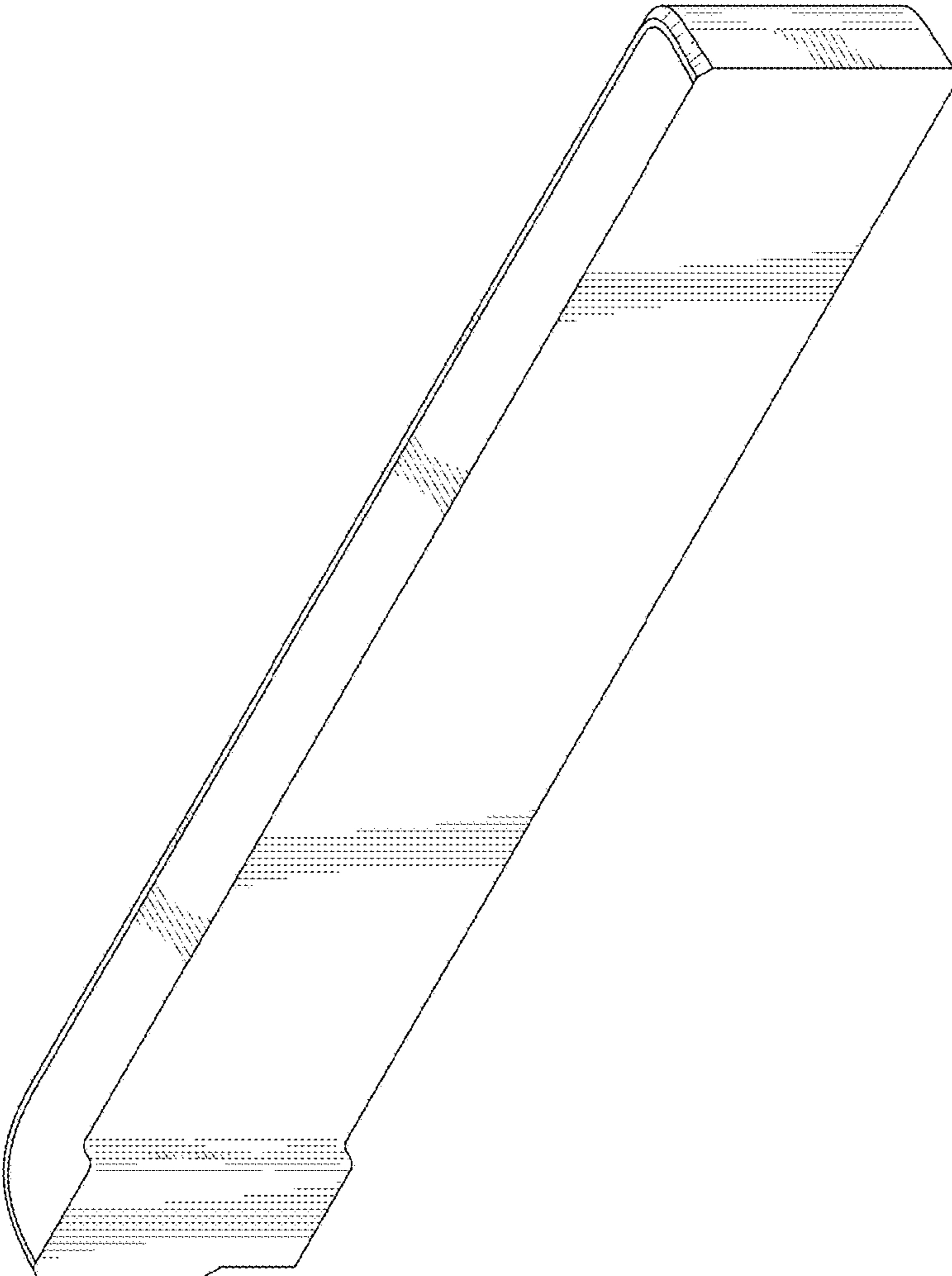
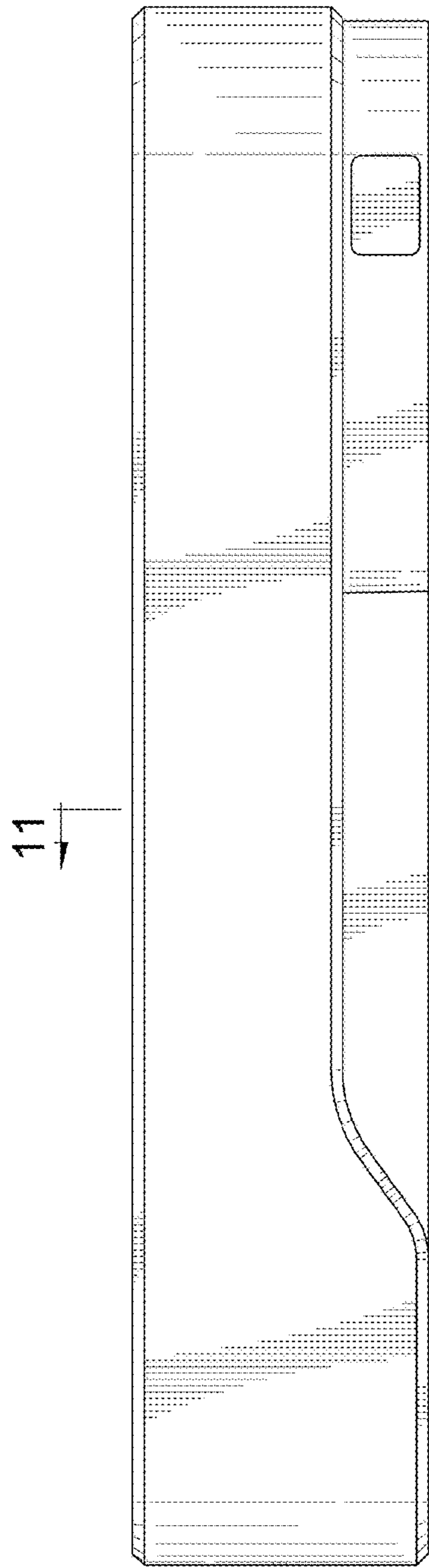


FIG. 4



11-11  
FIG. 5

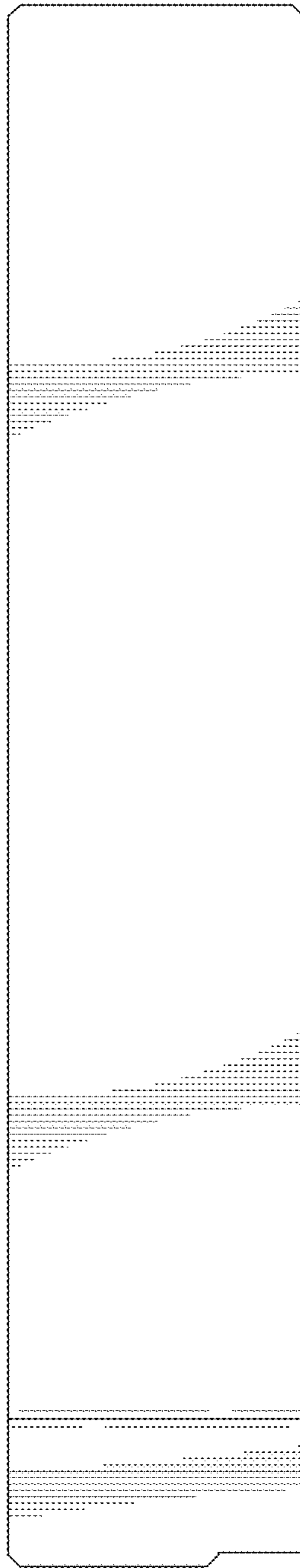


FIG. 6

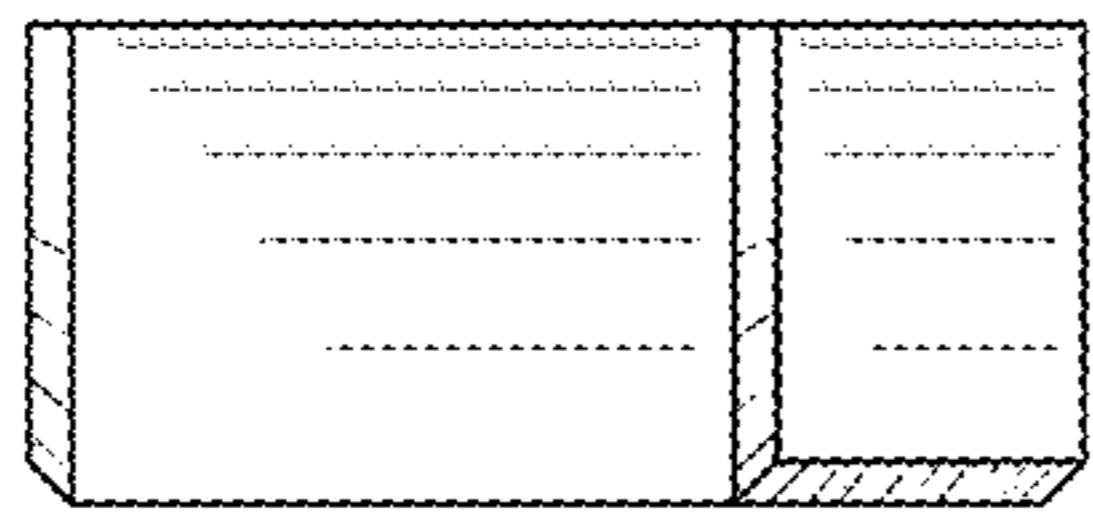


FIG. 7

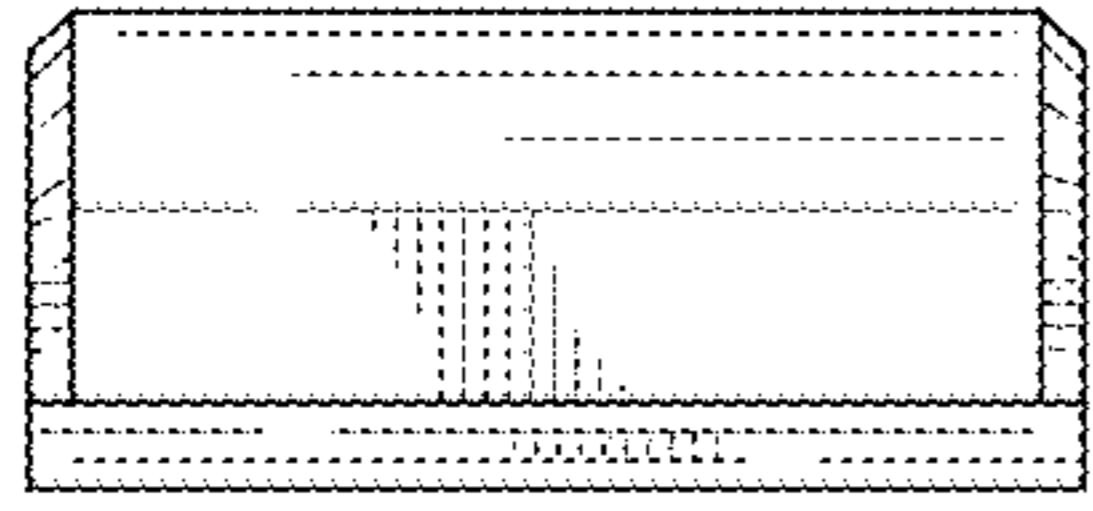


FIG. 8

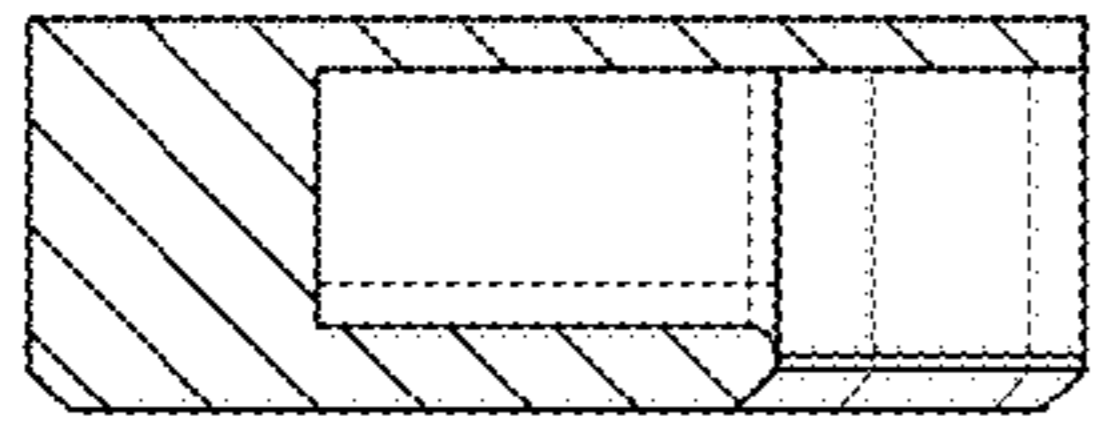


FIG. 11

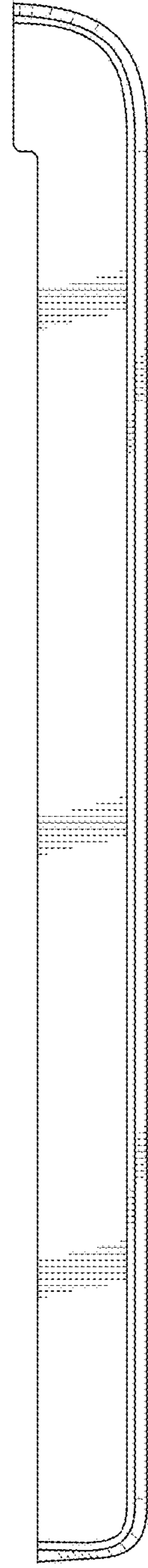


FIG. 9

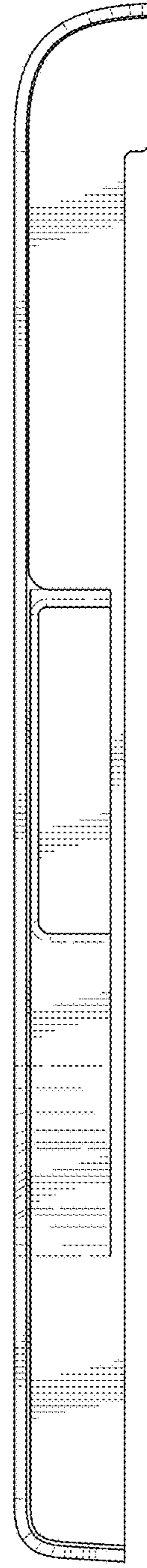


FIG. 10