



US00D861065S

(12) **United States Design Patent** (10) **Patent No.:** **US D861,065 S**
Chih (45) **Date of Patent:** **** Sep. 24, 2019**

(54) **PRINTER**
(71) Applicant: **SATO HOLDINGS KABUSHIKI KAISHA**, Tokyo (JP)
(72) Inventor: **Lin Sheng Chih**, New Taipei (TW)
(73) Assignee: **SATO HOLDINGS KABUSHIKI KAISHA**, Tokyo (JP)
(**) Term: **15 Years**

D750,162 S * 2/2016 Ozawa D18/19
D752,137 S * 3/2016 Mita D18/19
D753,217 S * 4/2016 Ozawa D18/50
D768,235 S * 10/2016 Ozawa D18/56
D775,275 S * 12/2016 Takahashi D18/50
D799,589 S * 10/2017 Maeda D18/19
D800,830 S * 10/2017 Maeda D18/19
D812,132 S * 3/2018 Ozawa D18/19
D812,678 S * 3/2018 Ozawa D18/19
D813,297 S * 3/2018 Nishikawa D18/50
D820,351 S * 6/2018 Maeda D18/19
D822,098 S * 7/2018 Maeda D18/19
D850,527 S * 6/2019 Tanaka D18/19

(Continued)

(21) Appl. No.: **35/504,972**

Primary Examiner — Richard E Chilcot

(22) Filed: **Nov. 17, 2017**

(74) *Attorney, Agent, or Firm* — Andrew F. Young, Esq.;
Lackenbach Siegel, LLP

(80) **Hague Agreement Data**

Int. Filing Date: **Nov. 17, 2017**
Int. Reg. No.: **DM/098616**
Int. Reg. Date: **Nov. 17, 2017**
Int. Reg. Pub. Date: **May 18, 2018**

(57) **CLAIM**

The ornamental design for a printer, as shown and described.

(30) **Foreign Application Priority Data**

May 19, 2017 (JP) 2017-010740
May 19, 2017 (JP) 2017-010741

DESCRIPTION

(51) **LOC (12) Cl.** **18-99**
(52) **U.S. Cl.**
USPC **D18/19**
CPC **B41J 15/042 (2013.01)**

- 1.-2. Printer
- 1.1 : Perspective
- 1.2 : Perspective
- 1.3 : Front
- 1.4 : Back
- 1.5 : Top
- 1.6 : Bottom
- 1.7 : Right
- 1.8 : Left
- 2.1 : Perspective
- 2.2 : Perspective
- 2.3 : Front
- 2.4 : Back
- 2.5 : Top
- 2.6 : Bottom
- 2.7 : Right
- 2.8 : Left

(58) **Field of Classification Search**
USPC D18/14–21, 50–59; D19/65
CPC B41J 15/048; B41J 15/042; B41J 2202/34
See application file for complete search history.

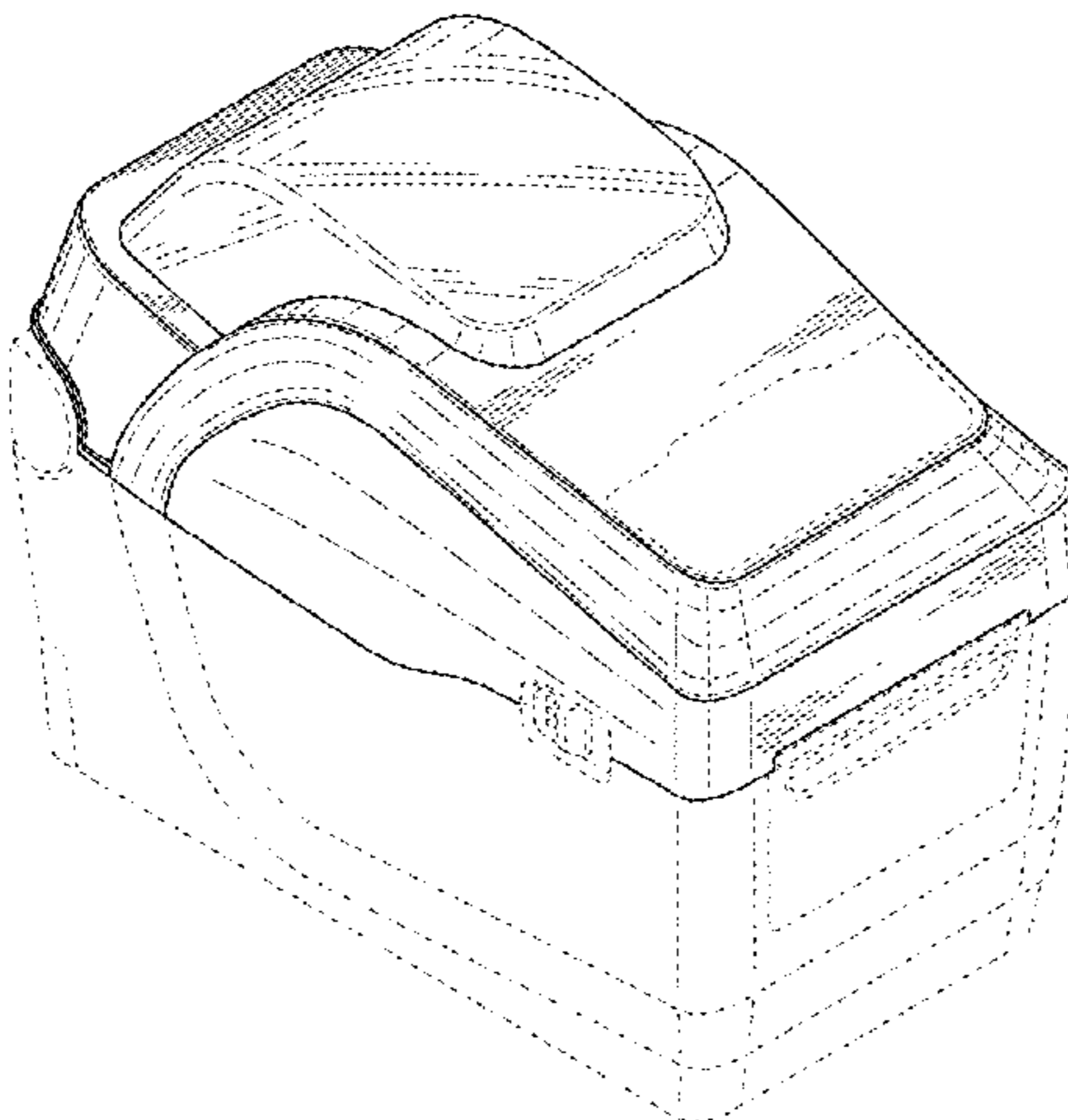
Representation: The dash-dash disclaim lines in FIGS. 2.1-2.8 represent environmental portions for which no claim is made.

(56) **References Cited**

U.S. PATENT DOCUMENTS

D327,087 S * 6/1992 Ivester D18/54
D422,631 S * 4/2000 Toriyama D18/50
D530,361 S * 10/2006 Chambers D18/50
D607,503 S * 1/2010 Hyakumoto D18/19
D677,720 S * 3/2013 Tanaka D18/55

1 Claim, 16 Drawing Sheets



(56)

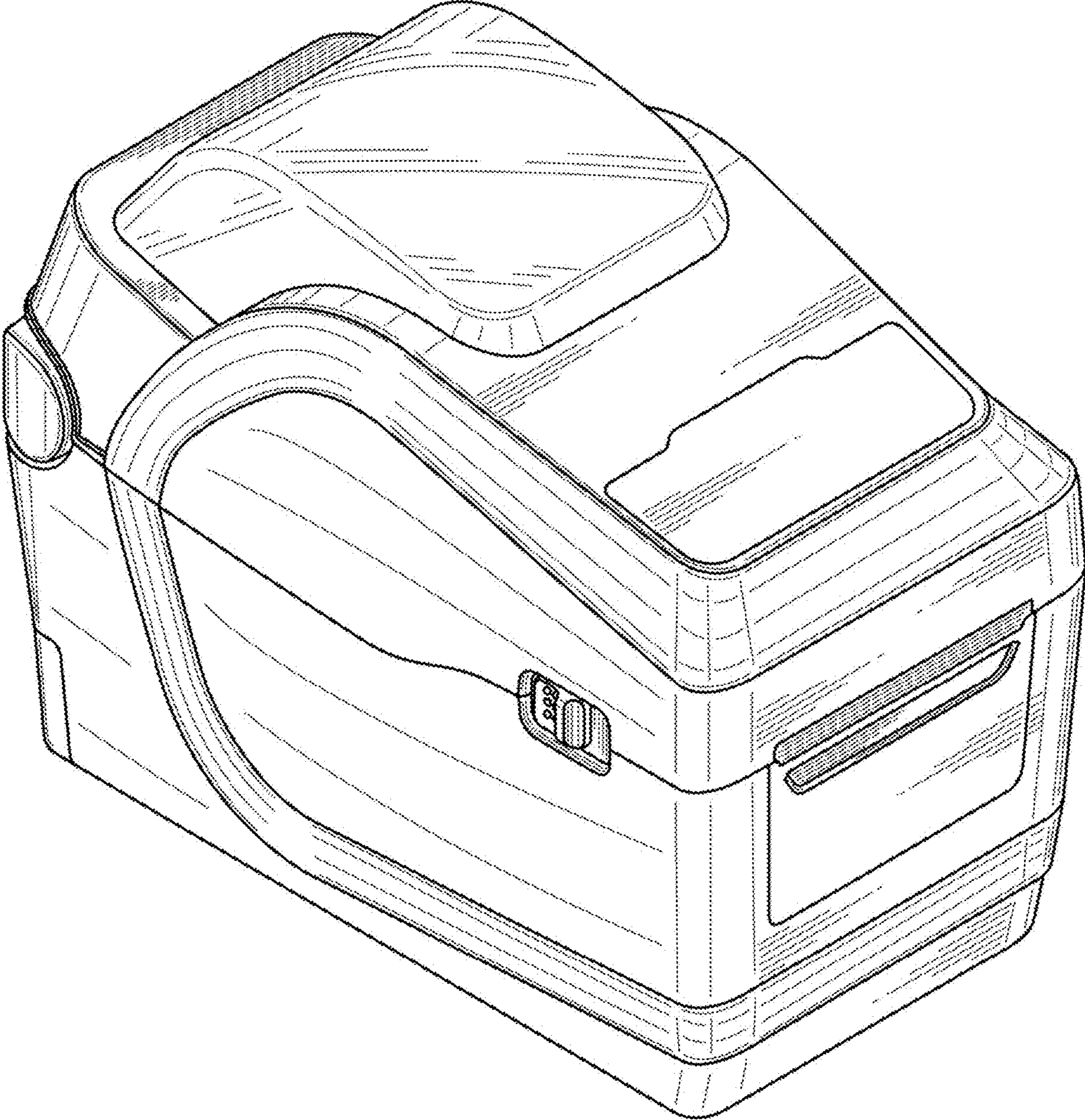
References Cited

U.S. PATENT DOCUMENTS

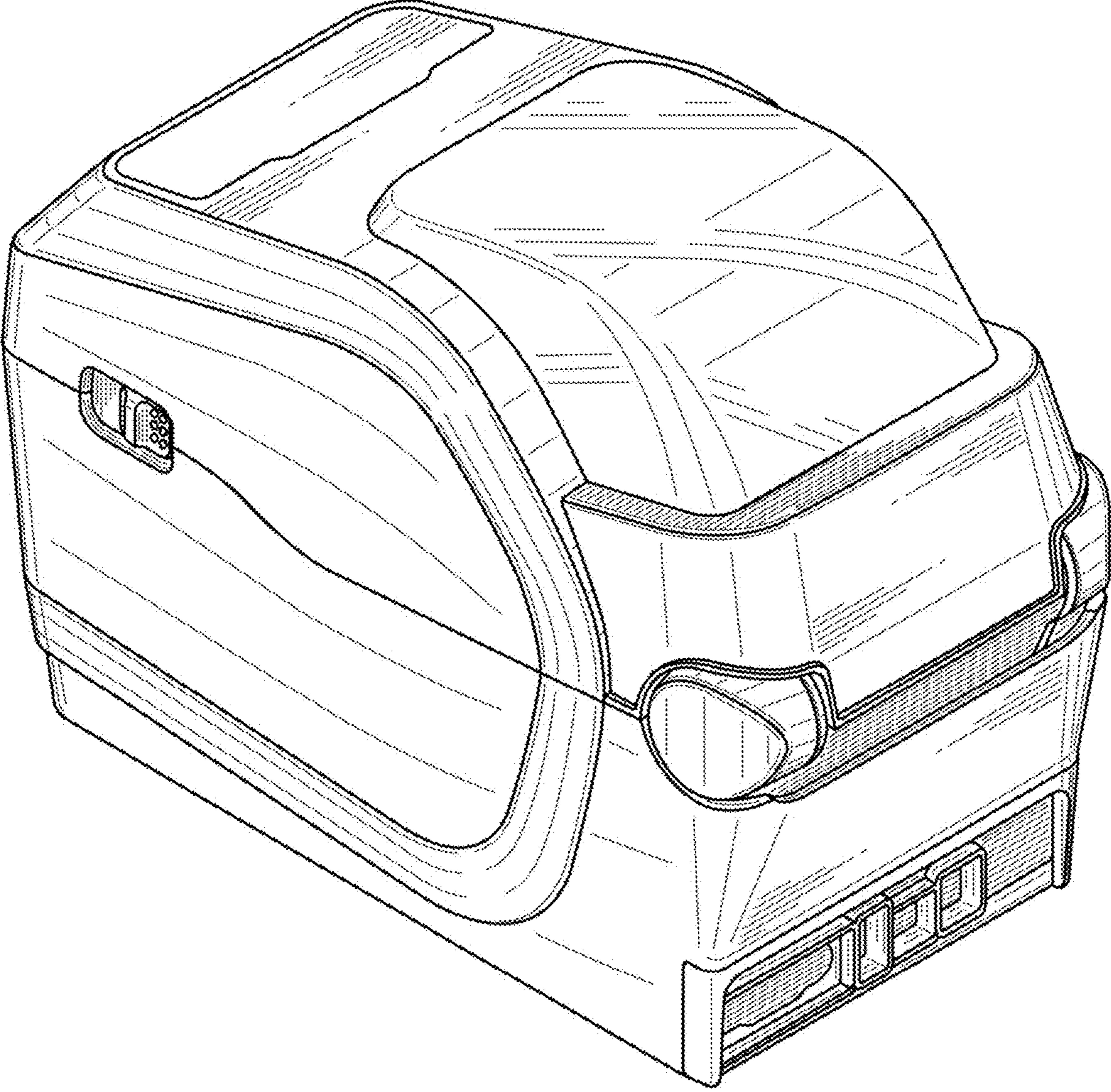
2017/0072718 A1* 3/2017 Watanabe B41J 15/042
2017/0348983 A1* 12/2017 Suzuki B41J 3/4075

* cited by examiner

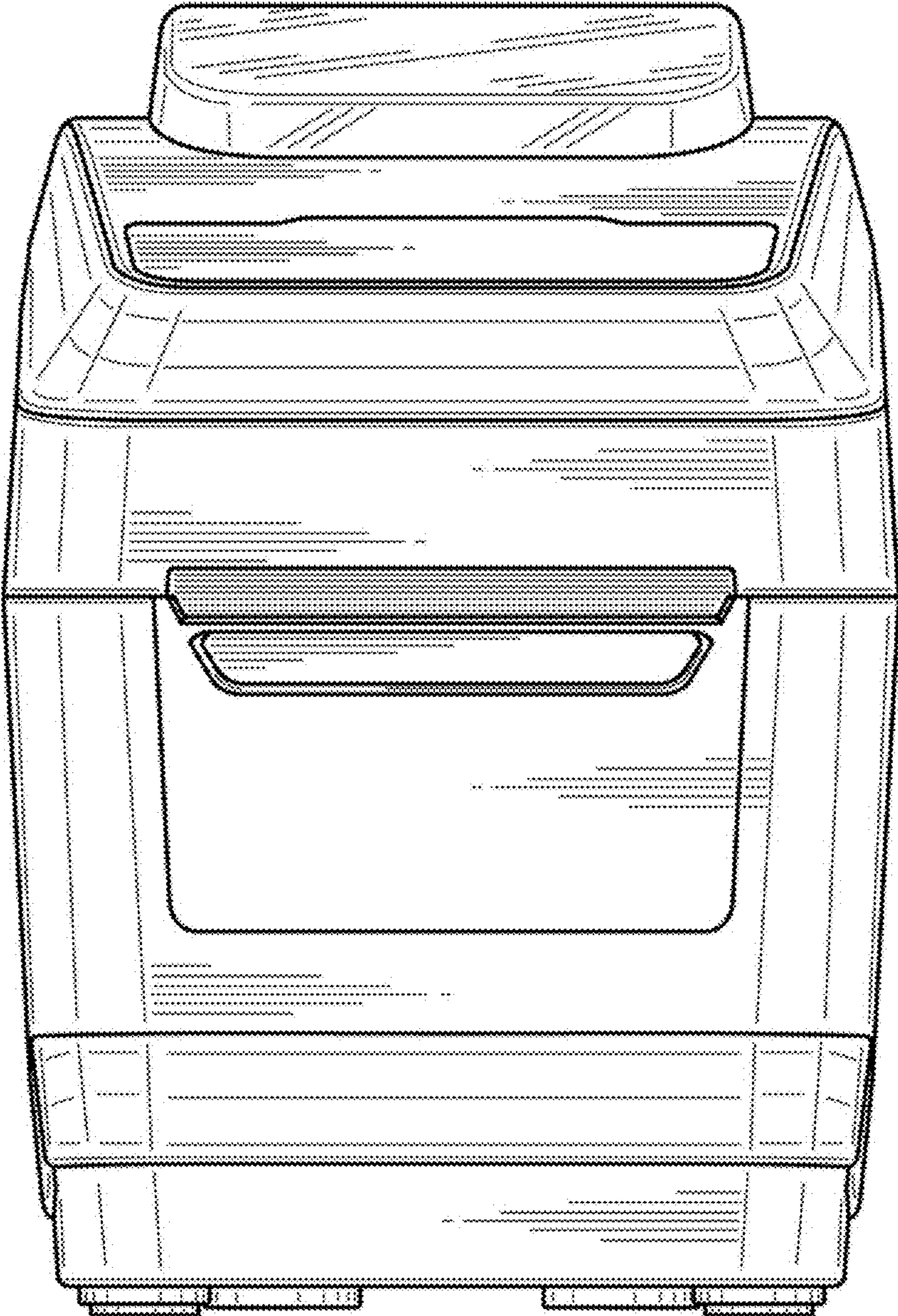
1.1



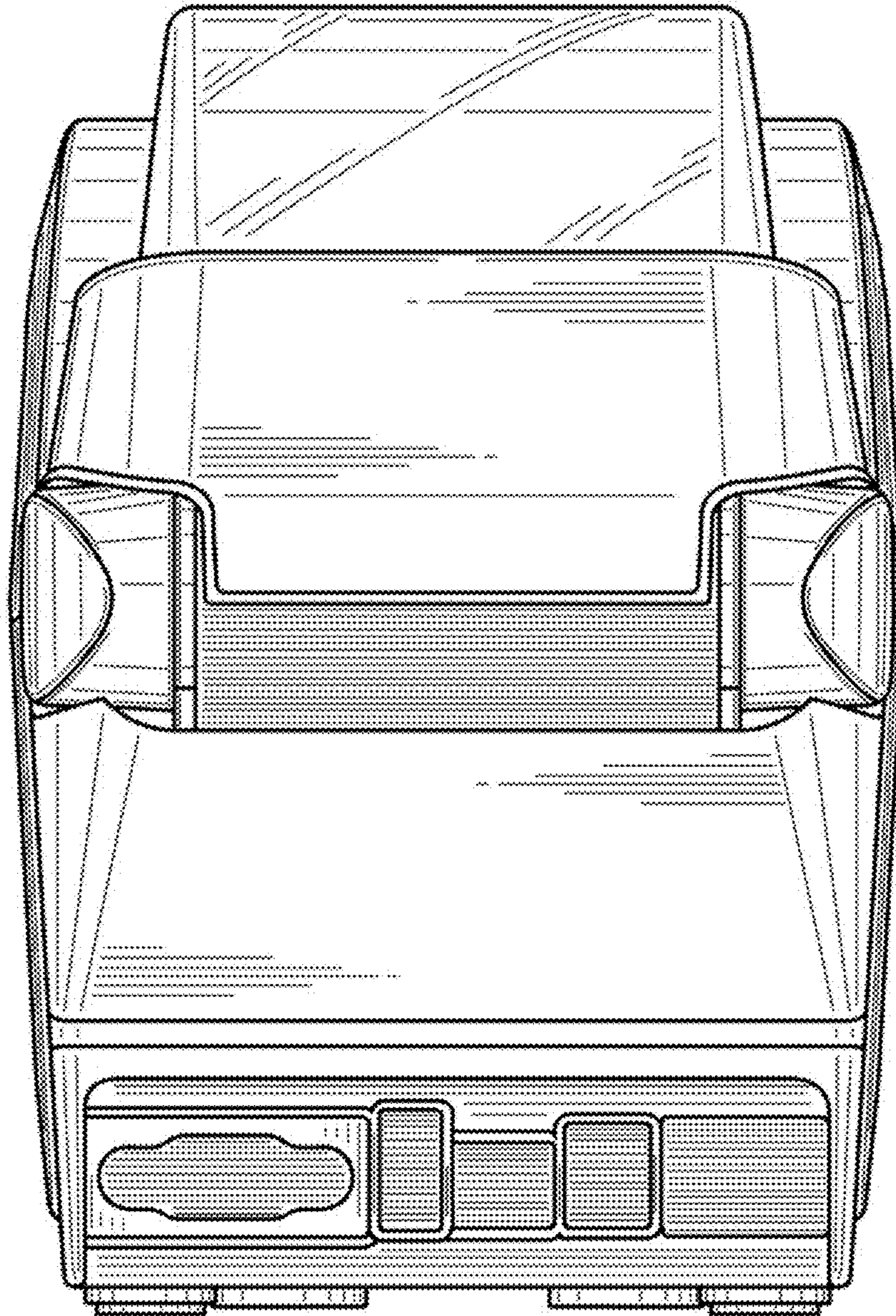
1.2



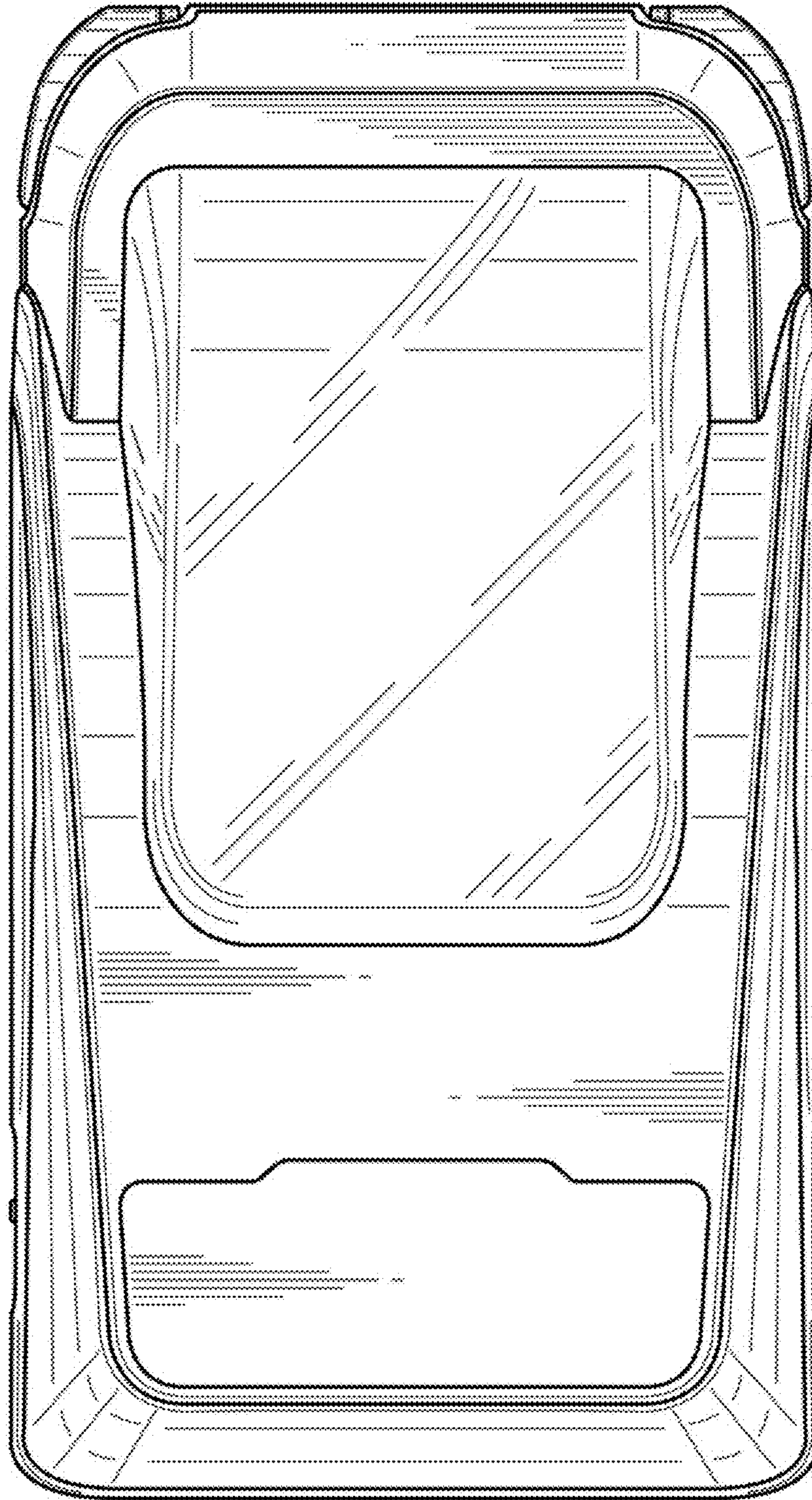
1.3



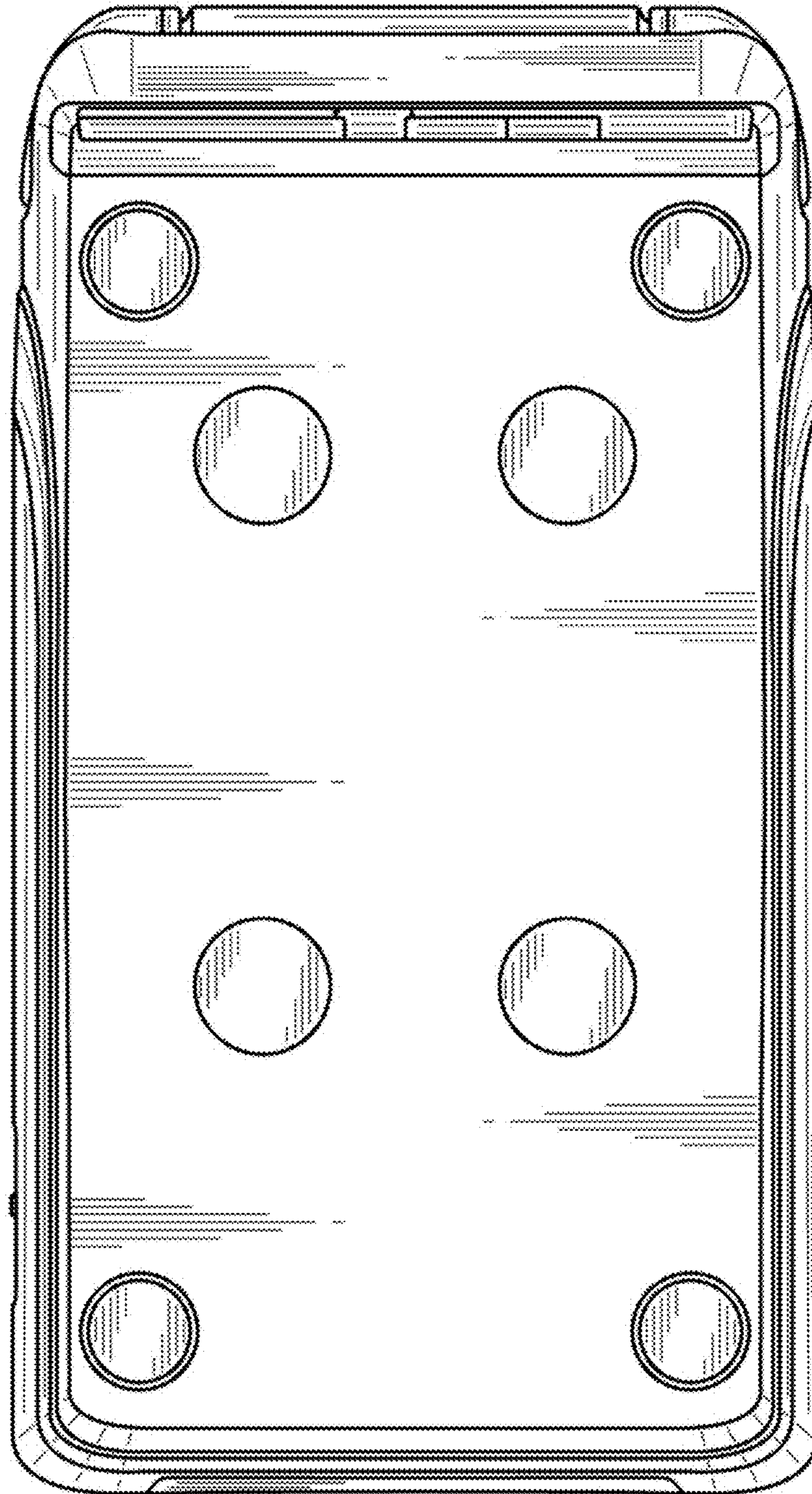
1.4



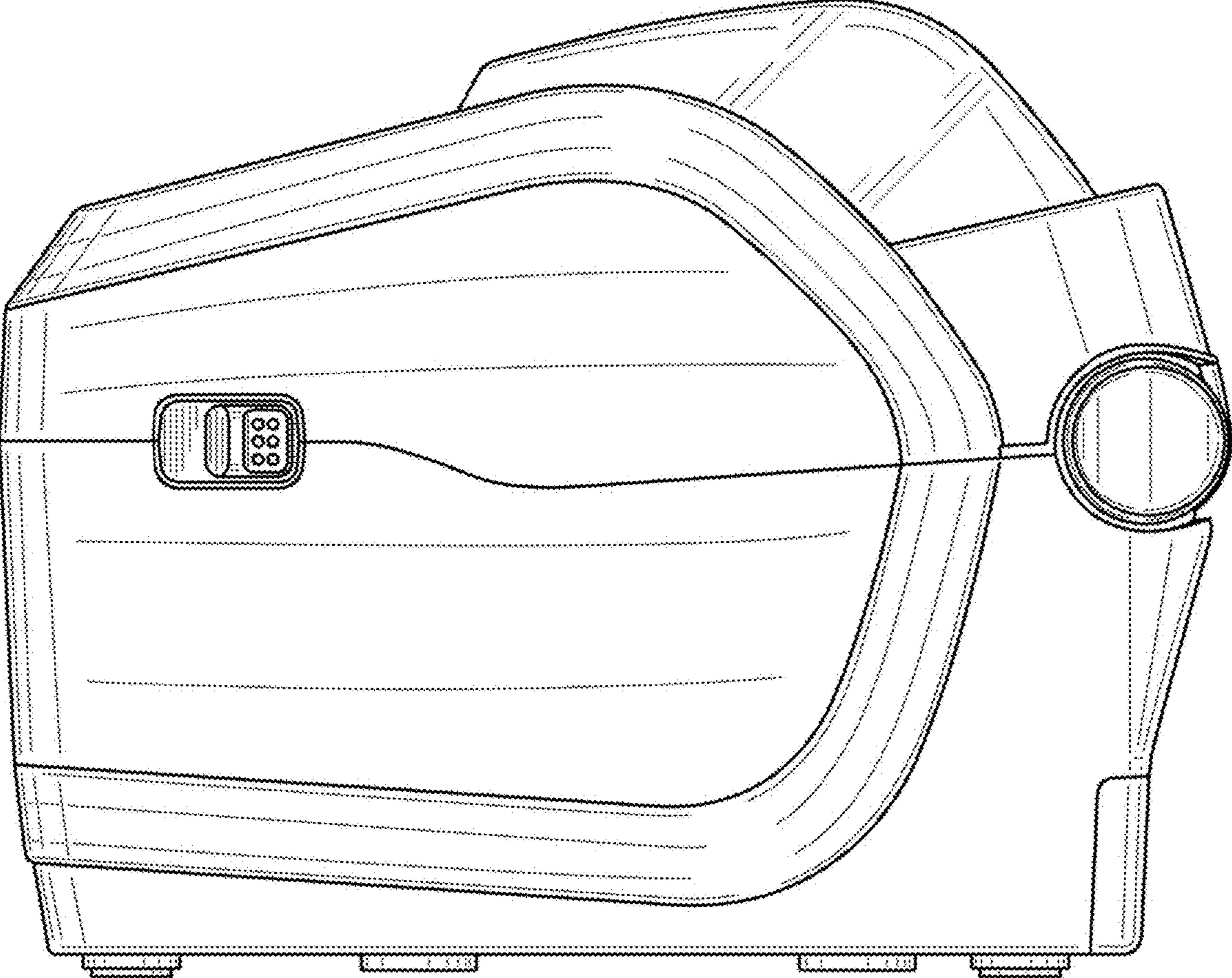
1.5



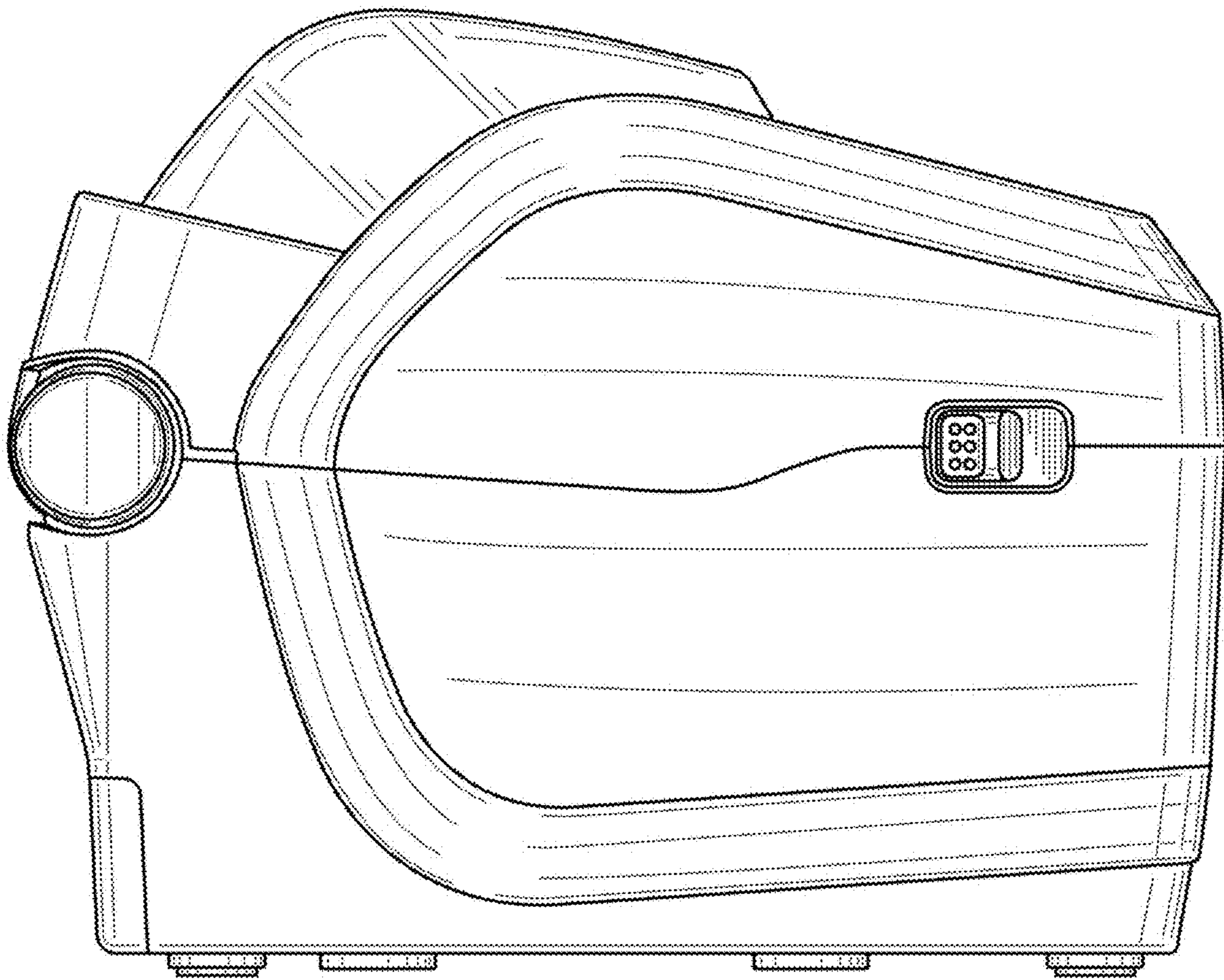
1.6



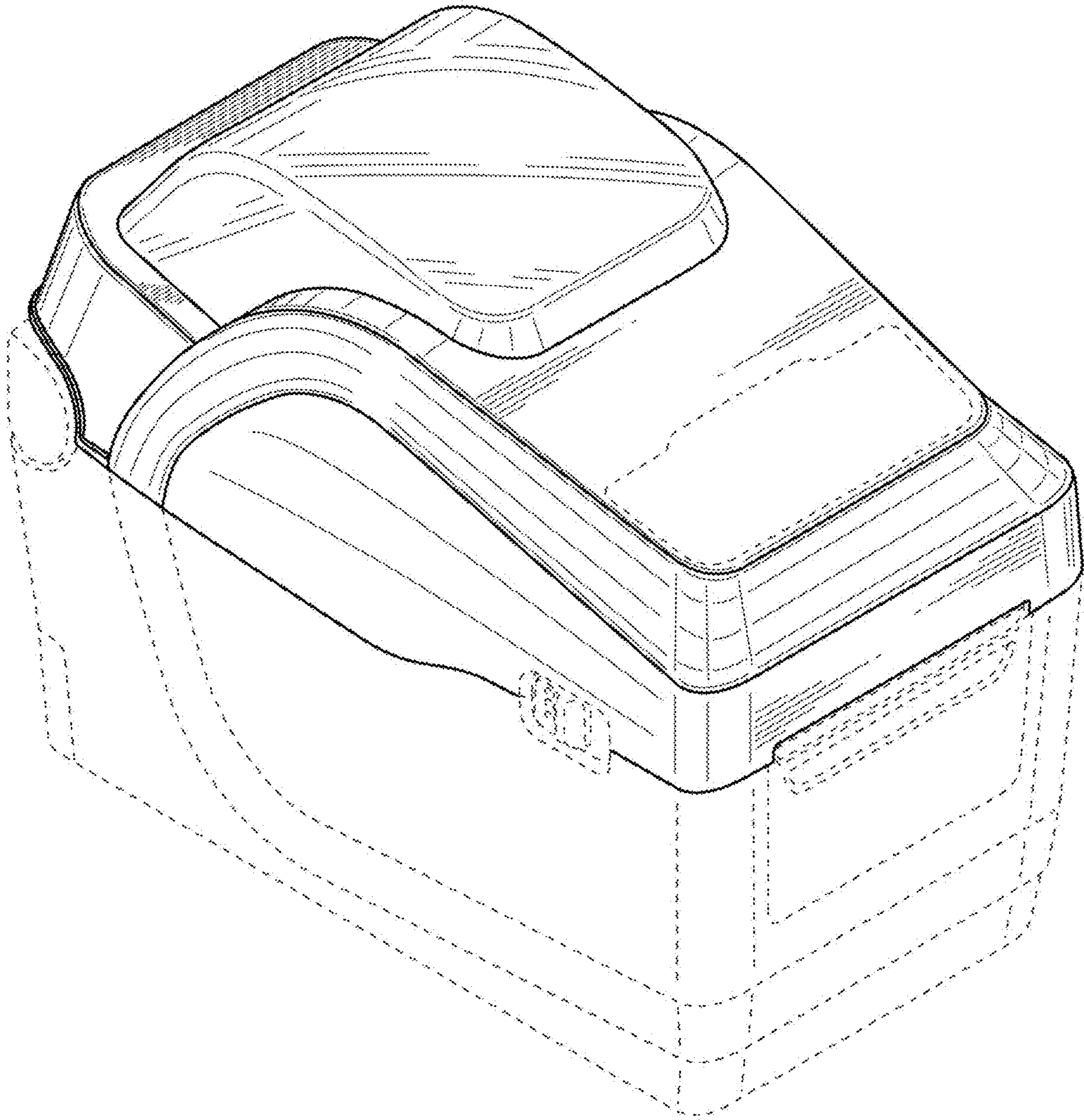
1.7



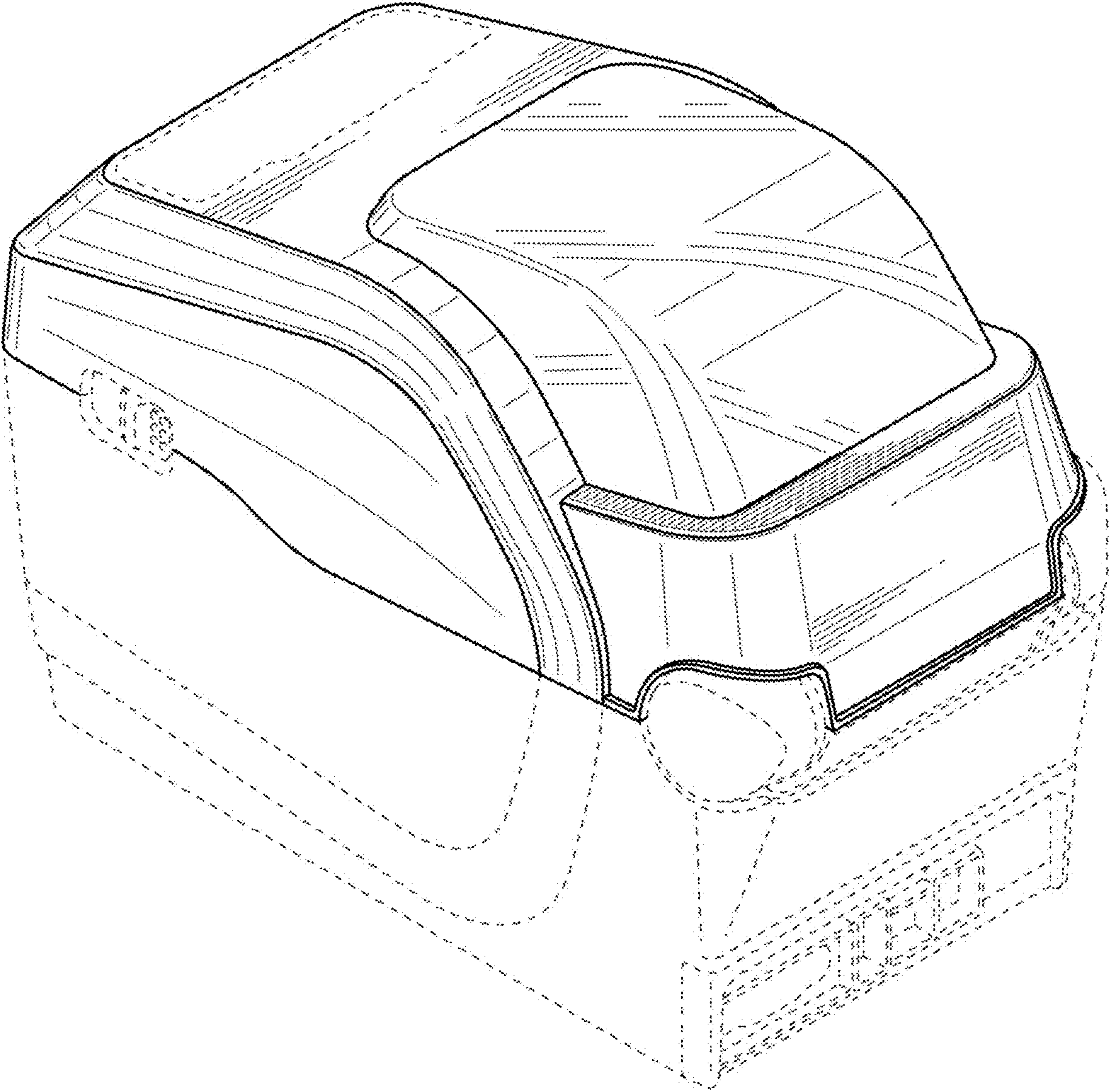
1.8



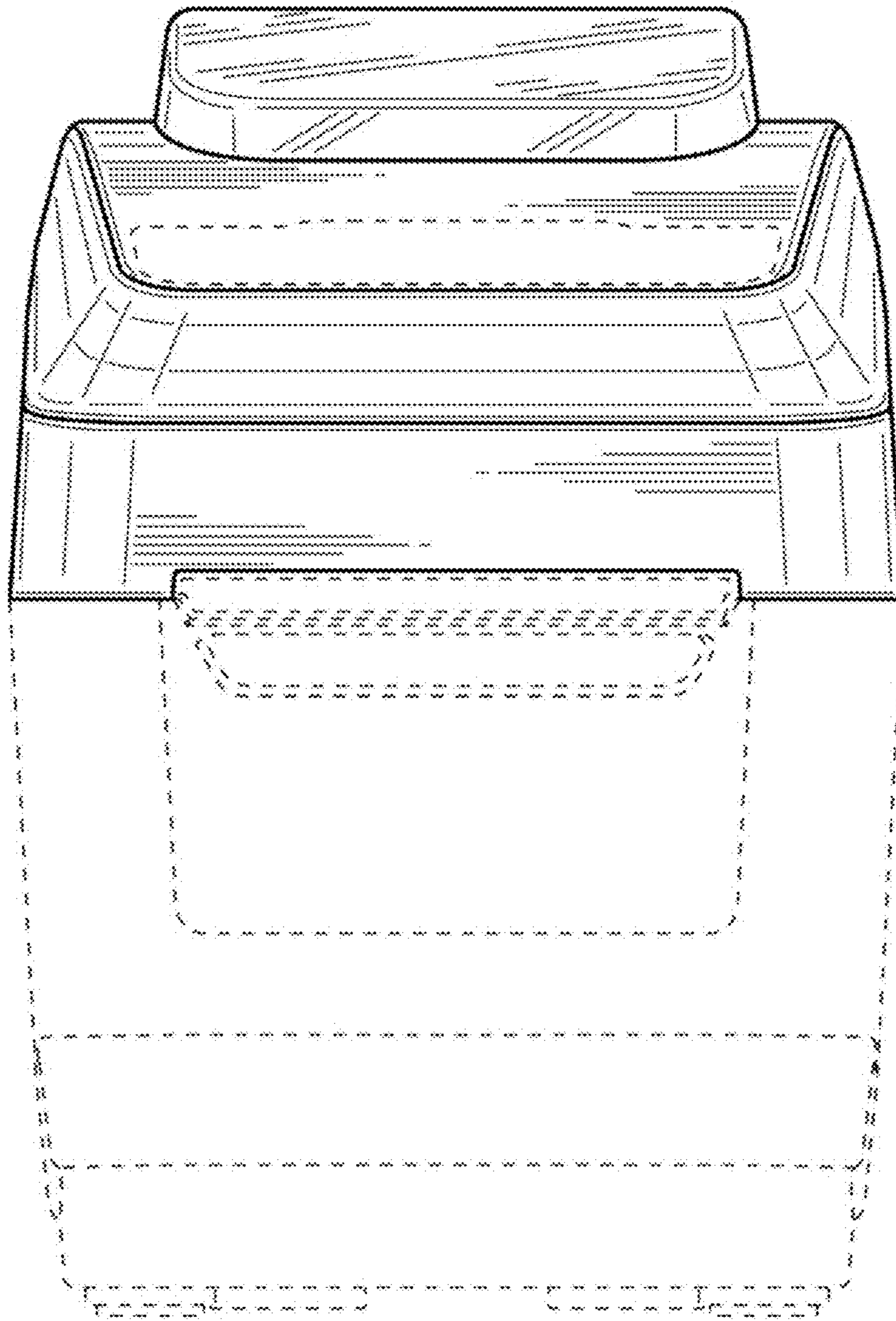
2.1



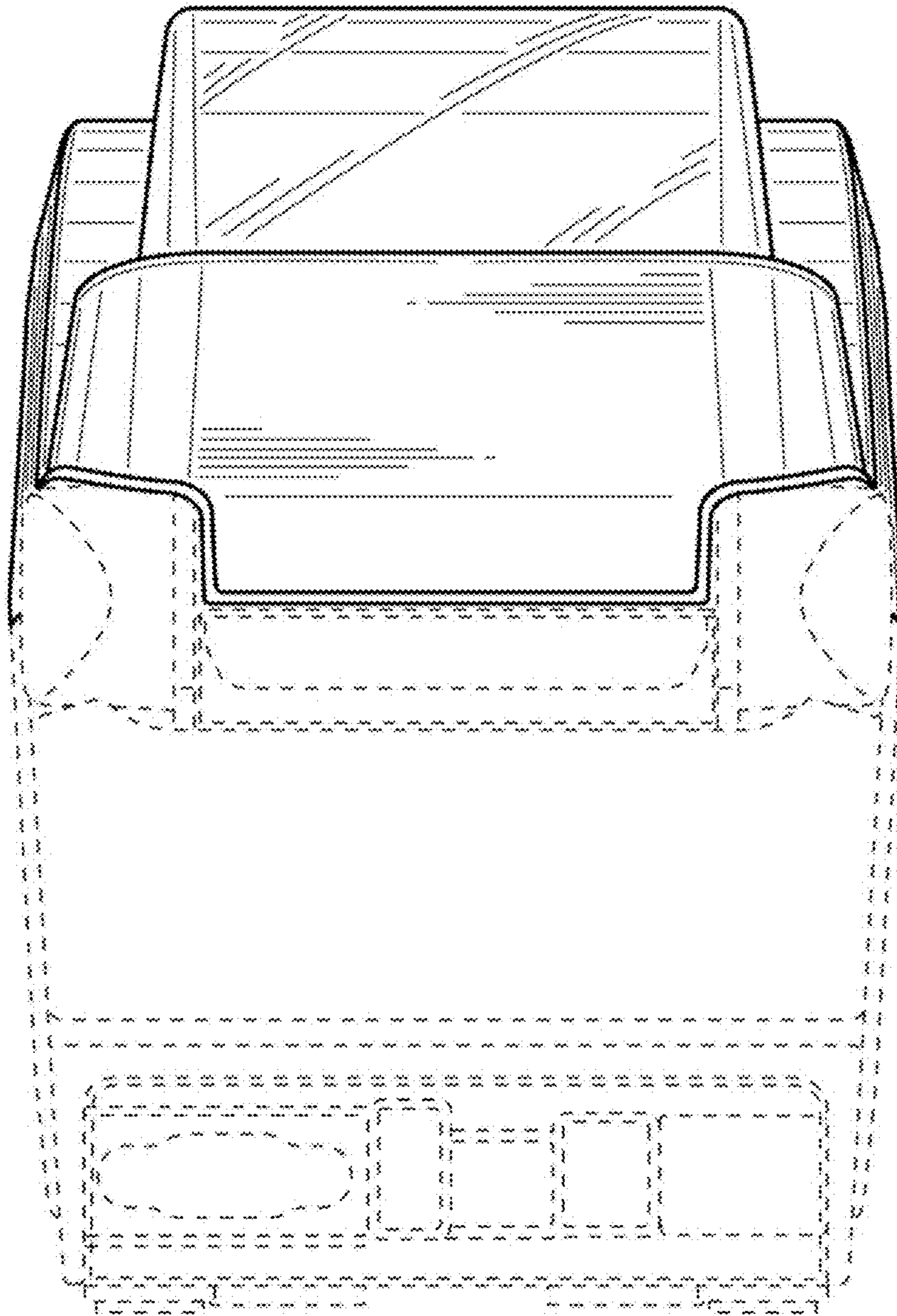
2.2



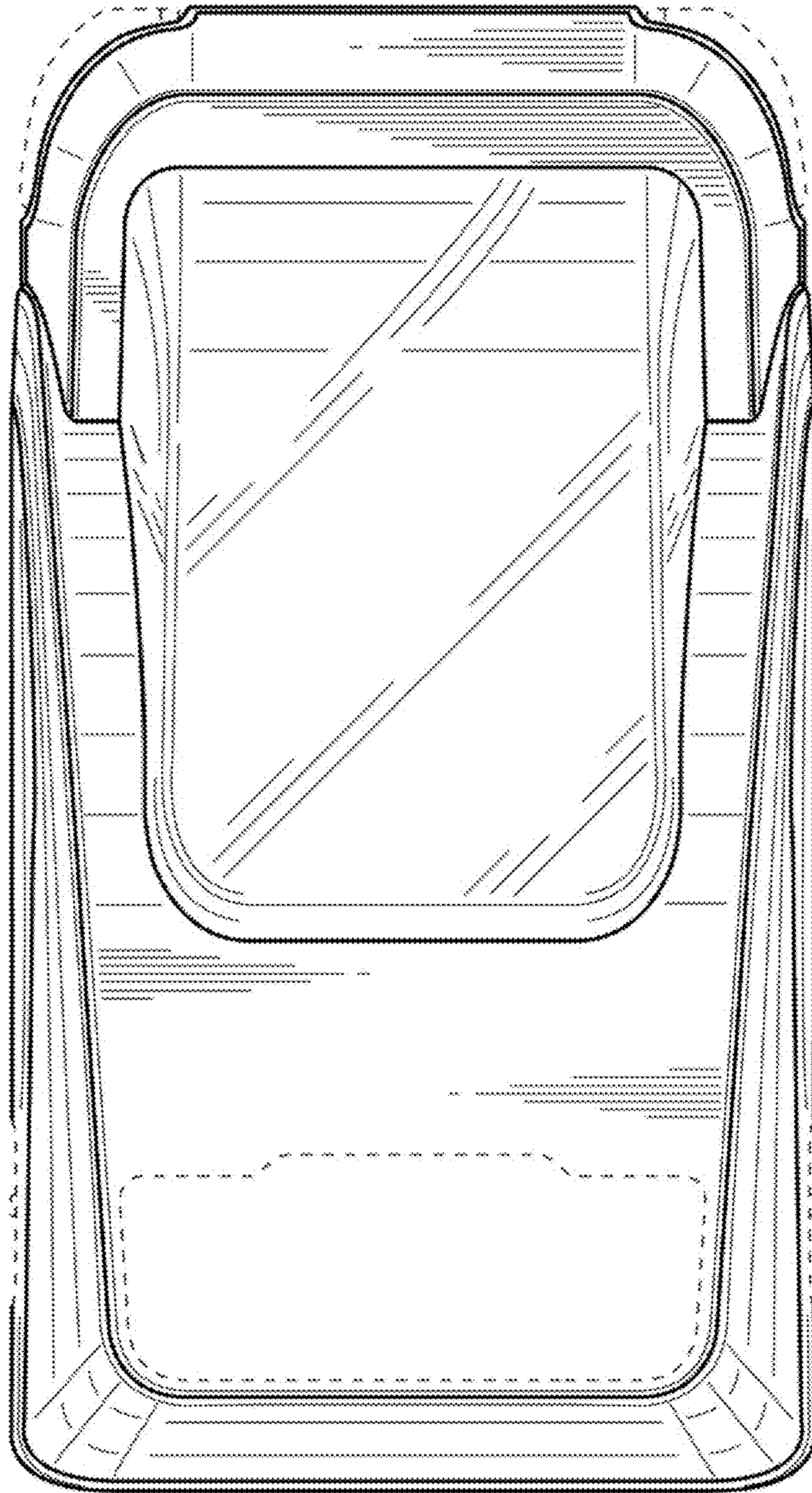
2.3



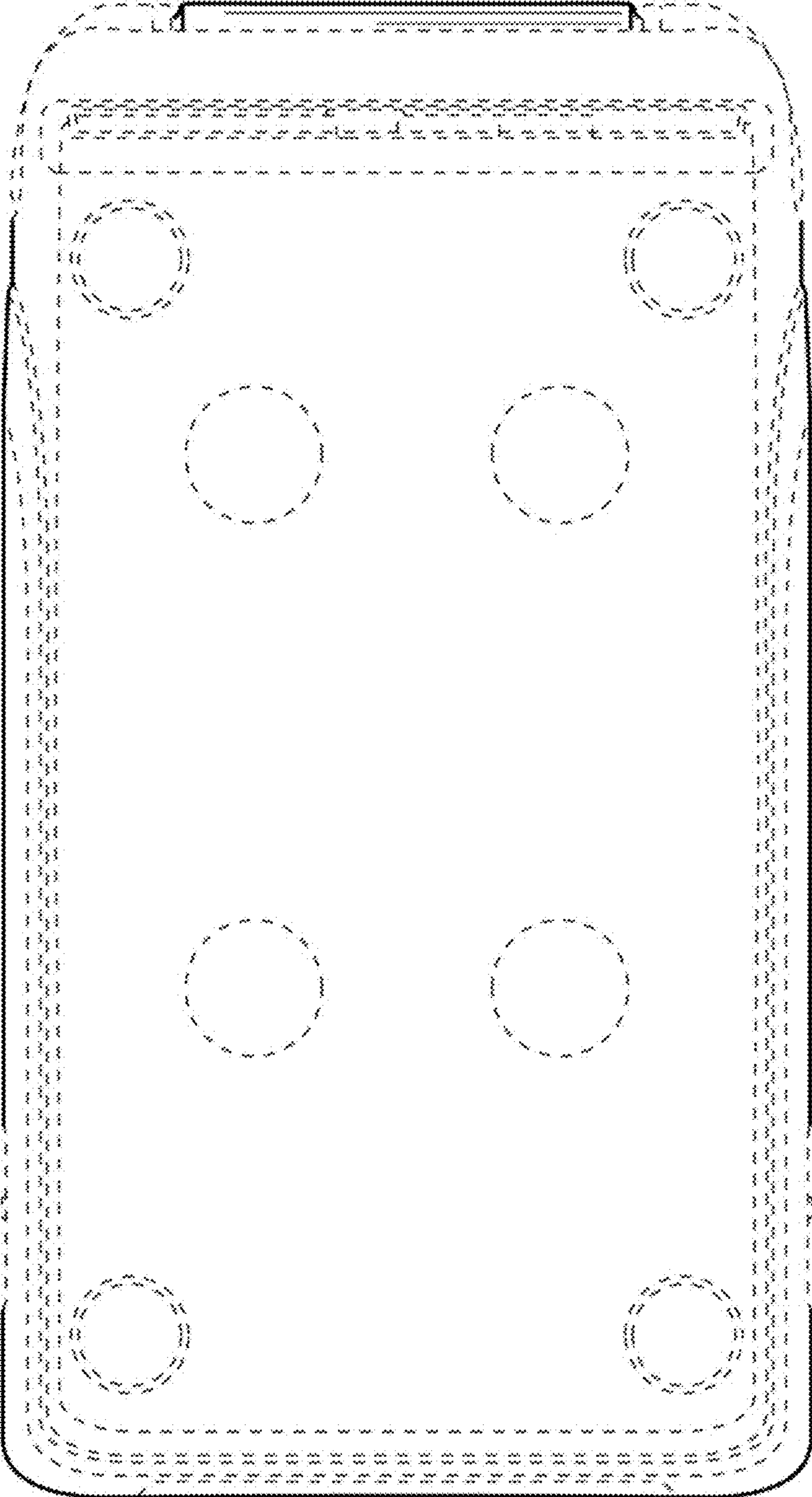
2.4



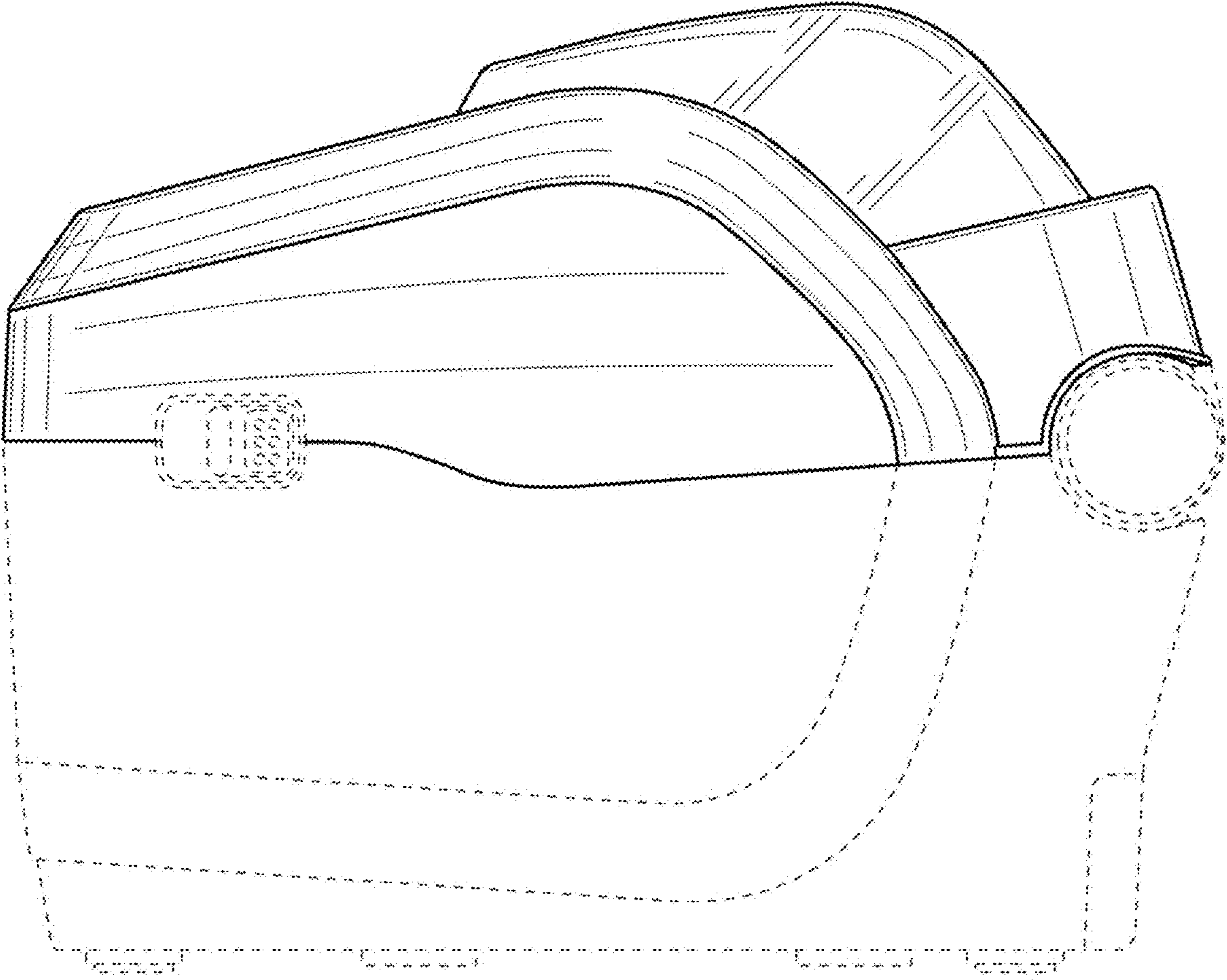
2.5



2.6



2.7



2.8

