



US00D861060S

(12) **United States Design Patent** (10) **Patent No.:** **US D861,060 S**
Zheng (45) **Date of Patent:** **** Sep. 24, 2019**

(54) **SLEEPING MASK WITH EARPHONE**
(71) Applicant: **Weikun Zheng**, Guangdong (CN)
(72) Inventor: **Weikun Zheng**, Guangdong (CN)
(73) Assignee: **MAMBATE USA, INC.**, Brooklyn, NY (US)
(**) Term: **15 Years**
(21) Appl. No.: **29/601,507**
(22) Filed: **Apr. 24, 2017**
(51) **LOC (12) Cl.** **16-06**
(52) **U.S. Cl.**
USPC **D16/301; D16/309**
(58) **Field of Classification Search**
USPC D16/100-101, 300-329, 330, 332-342;
D29/107, 110; D6/601; D28/41
CPC A61F 9/04
See application file for complete search history.

2012/0137406 A1* 6/2012 Hide A61F 9/04
2/206
2014/0041091 A1* 2/2014 Sternlight B60N 2/882
2/12
2016/0008175 A1* 1/2016 Bergman A61F 9/04
2/171.2
2016/0346129 A1* 12/2016 Schaefer A61F 11/14
2017/0264994 A1* 9/2017 Gordon H04R 1/1091

* cited by examiner

Primary Examiner — Cathron C Brooks
Assistant Examiner — Sharon S Oum
(74) *Attorney, Agent, or Firm* — Justin Lampel

(57) **CLAIM**

The ornamental design for a sleeping mask with earphone, as shown and described.

DESCRIPTION

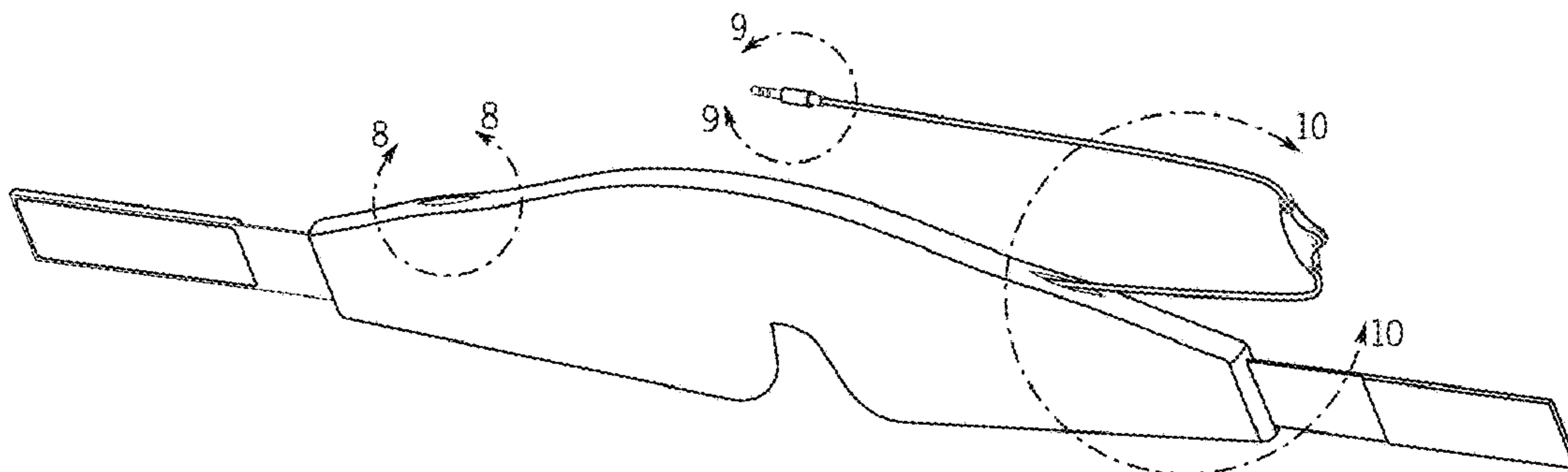
FIG. 1 is a perspective view of a sleeping mask with earphone showing my new design;
FIG. 2 is a front elevational view thereof;
FIG. 3 is a rear elevational view thereof;
FIG. 4 is a right side view thereof;
FIG. 5 is a left side view thereof;
FIG. 6 is a bottom plan view thereof; and
FIG. 7 is a top plan view thereof.
FIG. 8 is an enlarged partial perspective view, identified as 8-8 in FIG. 1;
FIG. 9 is an enlarged partial perspective view, identified as 9-9 in FIG. 1;
FIG. 10 is an enlarged partial perspective view, identified as 10-10 in FIG. 1; and,
FIG. 11 is an enlarged partial front elevational view, identified as 11-11 in FIG. 2.

(56) **References Cited**

U.S. PATENT DOCUMENTS

2,537,768 A * 1/1951 Laporte A61F 9/04
128/857
D294,710 S * 3/1988 Witzel D16/339
4,790,031 A * 12/1988 Duerer A61F 9/02
128/858
D305,901 S * 2/1990 Witzel D16/339
D361,081 S * 8/1995 Pardinias D16/339
D410,021 S * 5/1999 Heyman D16/301
8,272,071 B2 * 9/2012 Kaiser A61F 9/04
2/15
D694,309 S * 11/2013 Shelledy D16/301
D741,941 S * 10/2015 Armstrong D16/300
D775,260 S * 12/2016 Gordon D16/301
D830,448 S * 10/2018 Hardi D16/301

1 Claim, 7 Drawing Sheets



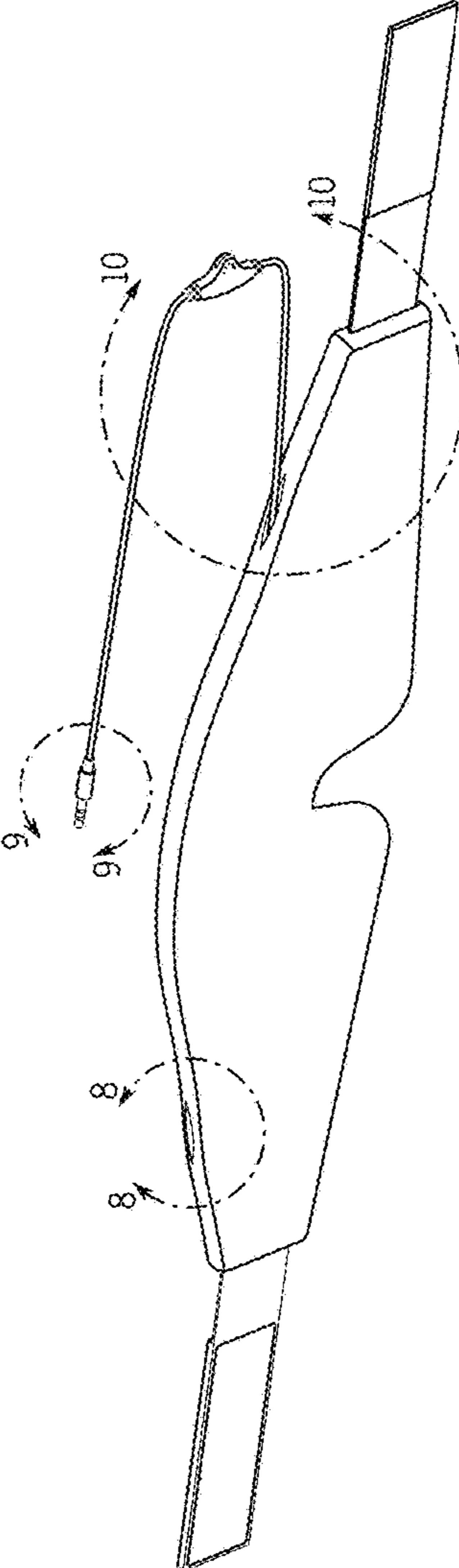


FIG. 1

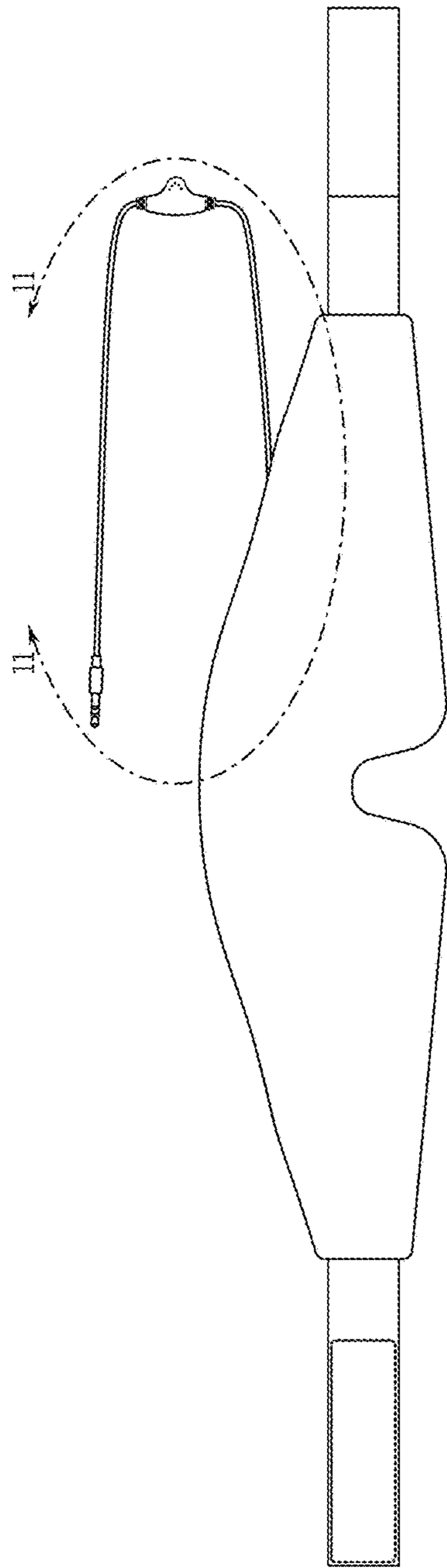


FIG. 2

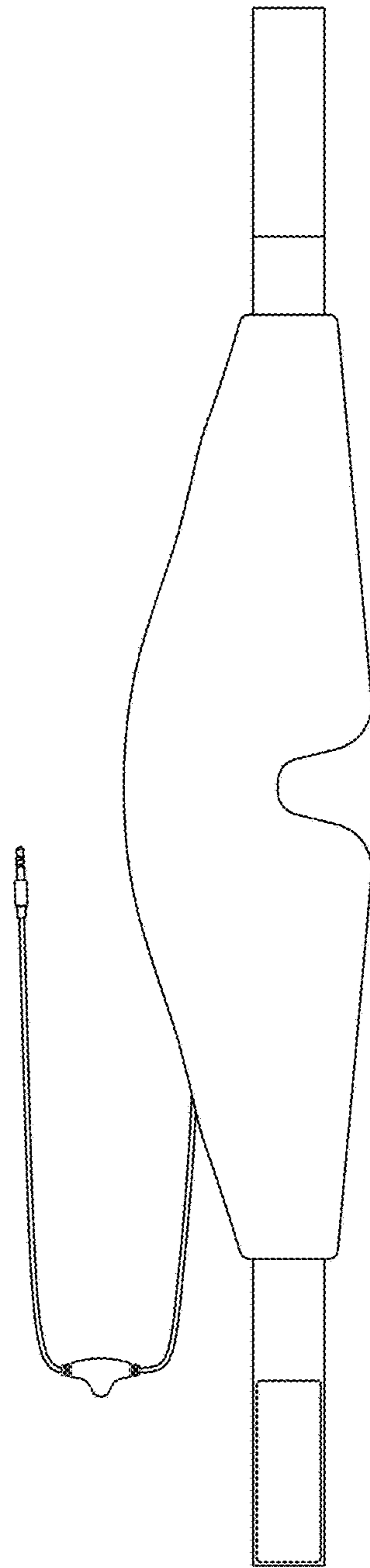


FIG. 3



FIG. 4



FIG. 5



FIG. 6

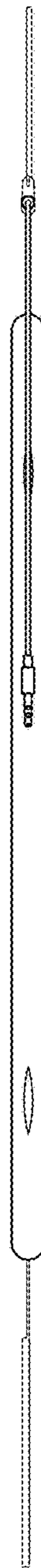


FIG. 7

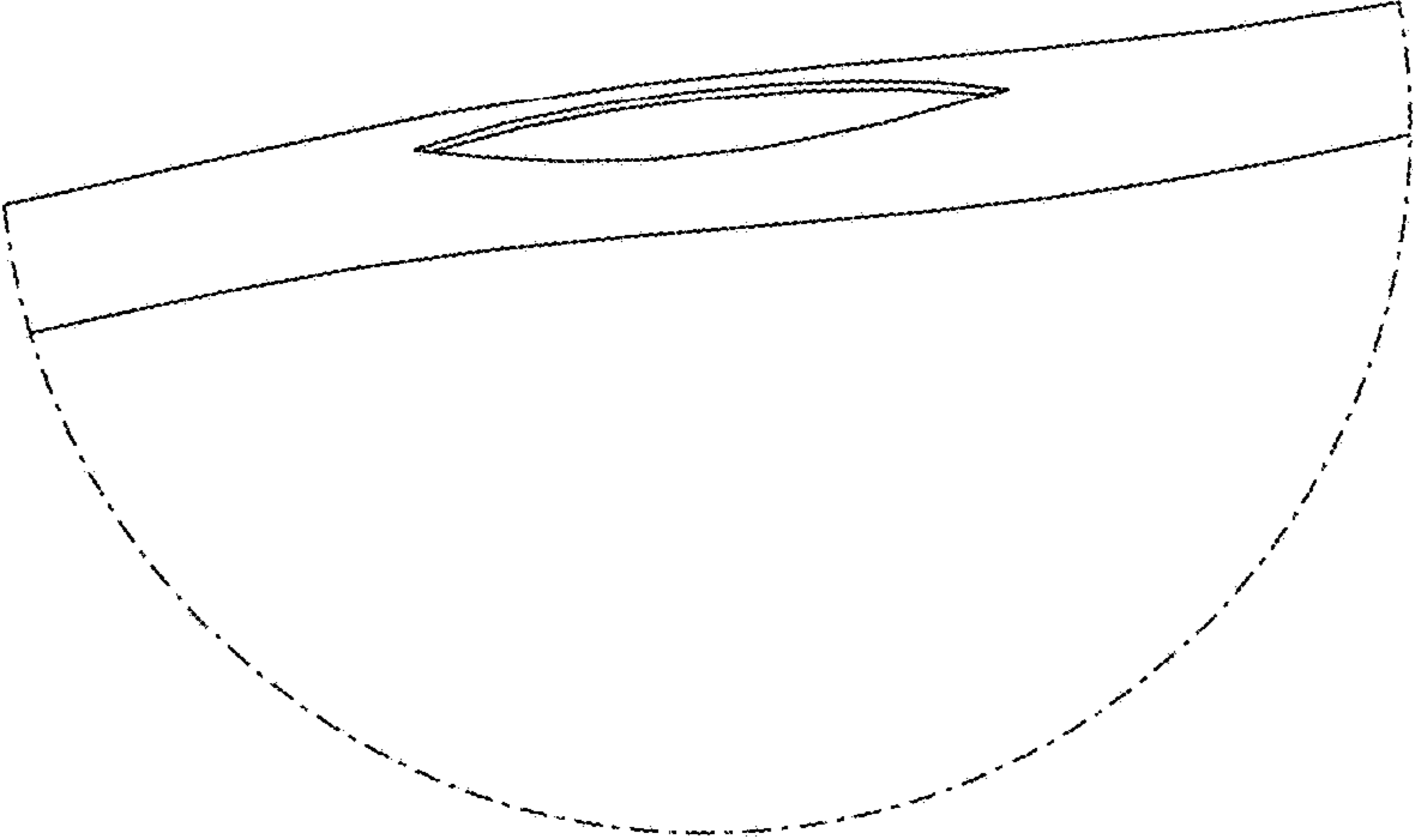


FIG. 8

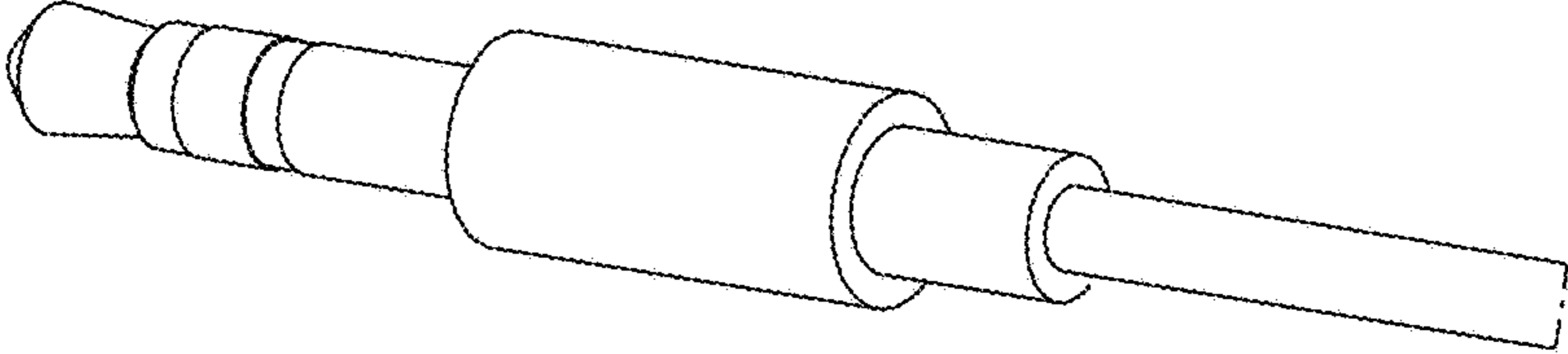


FIG. 9

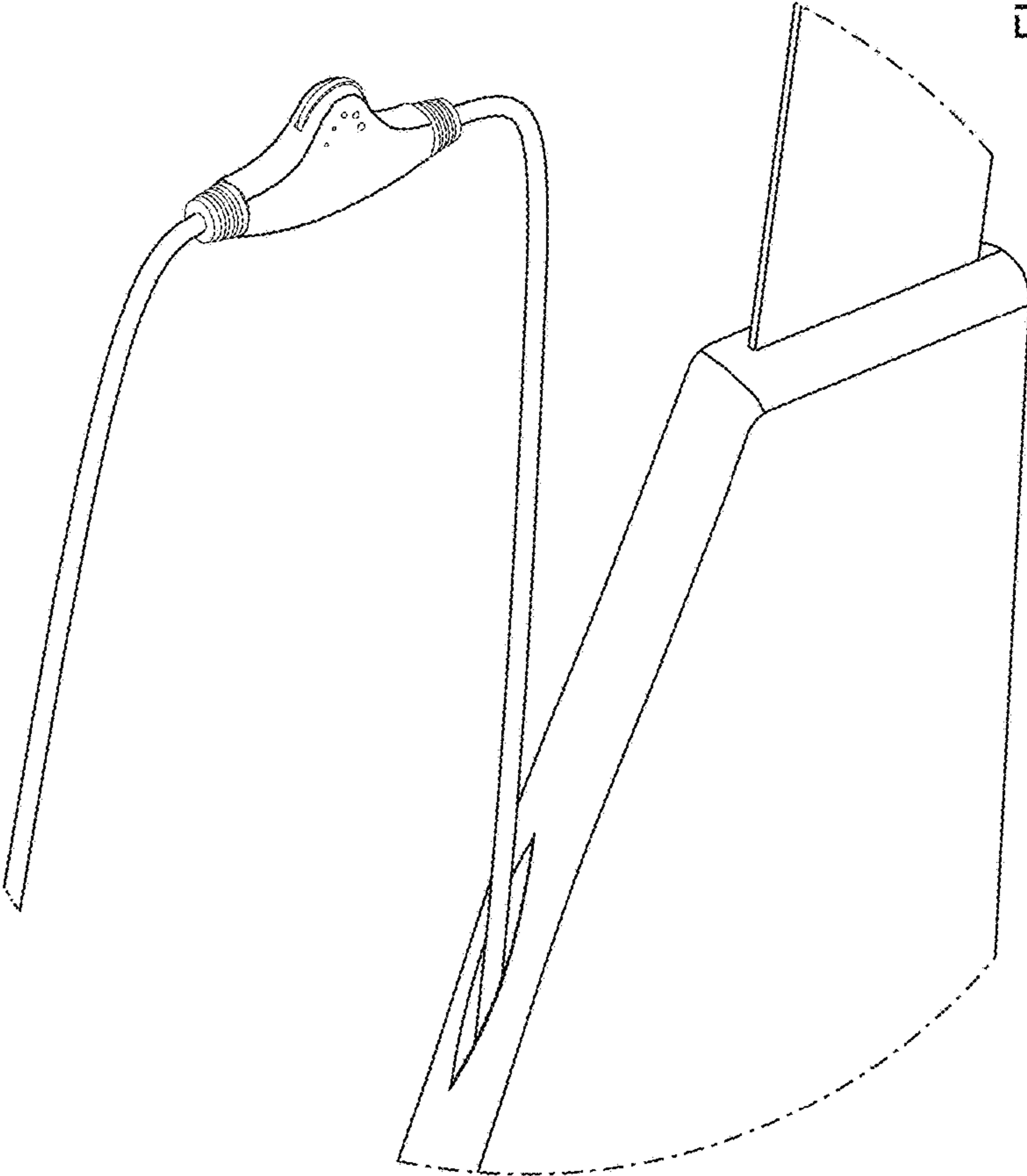


FIG. 10

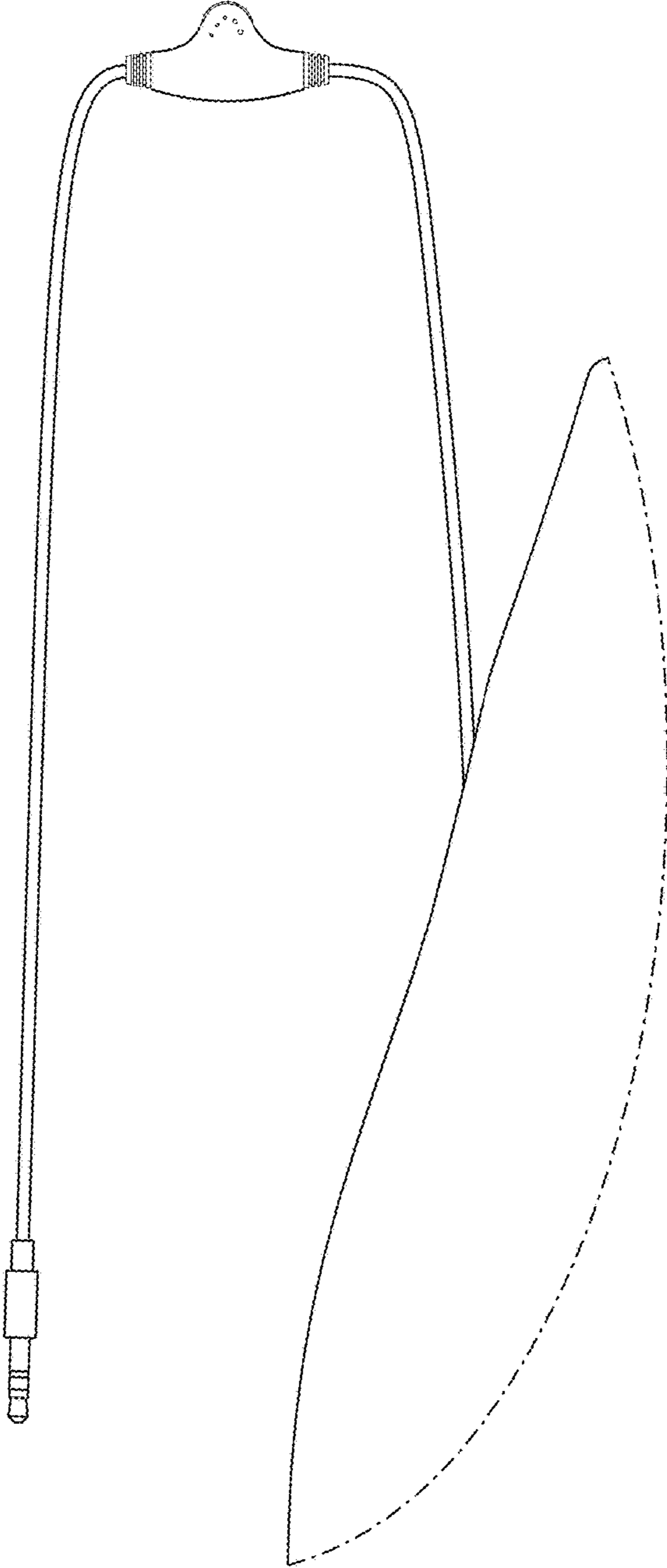


FIG. 11