



US00D861057S

(12) **United States Design Patent** (10) **Patent No.:** **US D861,057 S**
Klein et al. (45) **Date of Patent:** **** Sep. 24, 2019**

(54) **MONITORING CAMERA** D628,225 S * 11/2010 Deurwaarder D16/203
8,066,438 B2 * 11/2011 Takahashi H04N 5/2251
348/143
(71) Applicant: **AXIS AB**, Lund (SE) D721,755 S * 1/2015 Åhman D16/203
D740,874 S * 10/2015 Ahman D16/203
(72) Inventors: **Malin Klein**, Lund (SE); **Magnus**
Ainetoft, Lund (SE); **Daniel Ahman**,
Lomma (SE); **Simon Mansson**, Lund
(SE) D756,437 S * 5/2016 Bennermark D16/203
D816,755 S * 5/2018 Barnekow D16/203
D829,262 S * 9/2018 Huerta D16/219
2011/0158637 A1 * 6/2011 Jung G03B 15/03
396/535
(73) Assignee: **AXIS AB**, Lund (SE) 2013/0169805 A1 * 7/2013 Park G08B 13/19619
348/143

(**) Term: **15 Years**

(21) Appl. No.: **29/619,777**

(22) Filed: **Oct. 2, 2017**

(30) **Foreign Application Priority Data**

Mar. 31, 2017 (EM) 003833409-0001
Mar. 31, 2017 (EM) 003833409-0002
Mar. 31, 2017 (EM) 003833409-0003
Mar. 31, 2017 (EM) 003833409-0004
Mar. 31, 2017 (EM) 003833409-0005

(51) **LOC (12) Cl.** **16-01**

(52) **U.S. Cl.**
USPC **D16/203**

(58) **Field of Classification Search**

USPC D16/200, 202–206, 208, 218, 219, 242;
348/143, 148, 151, 373–376; 396/419,
396/427, 535, 539–541
CPC G03B 17/02; G03B 19/04; G03B 17/56;
G03B 17/04; G03B 15/03; H04N 5/2251;
H04N 5/2252; H04N 5/2253; H04N
5/2254; H04N 7/181; H04N 7/183; H04N
7/18; G08B 13/1963; G08B 13/19619;
G08B 13/19632

See application file for complete search history.

(56) **References Cited**

U.S. PATENT DOCUMENTS

5,394,184 A * 2/1995 Anderson G03B 17/55
348/151
D556,236 S * 11/2007 Kim D16/202

FOREIGN PATENT DOCUMENTS

TW D157863 12/2013

* cited by examiner

Primary Examiner — Ramzi S Almatrahi

(74) *Attorney, Agent, or Firm* — Volpe and Koenig, P.C.

(57) **CLAIM**

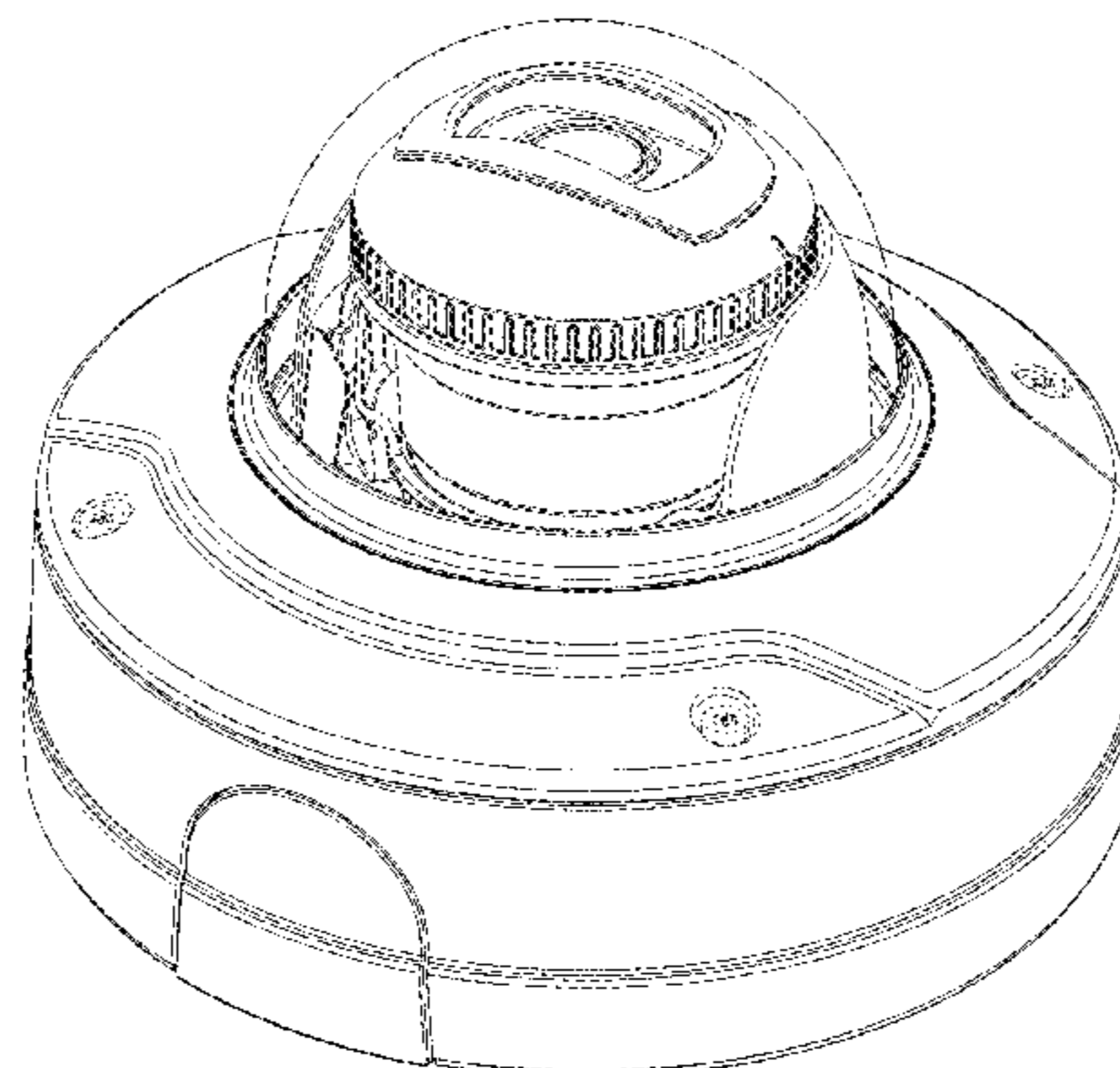
The ornamental design for a monitoring camera, as shown and described.

DESCRIPTION

FIG. 1 is a perspective view of a monitoring camera in accordance with our design;
FIG. 2 is a top plan view thereof;
FIG. 3 is a front elevational view thereof;
FIG. 4 is a left side elevational view thereof;
FIG. 5 is a right side elevational view thereof;
FIG. 6 is a rear elevational view thereof; and,
FIG. 7 is a bottom plan view thereof.

The broken lines shown in the drawings depict portions of the monitoring camera that form no part of the claimed design.

1 Claim, 4 Drawing Sheets



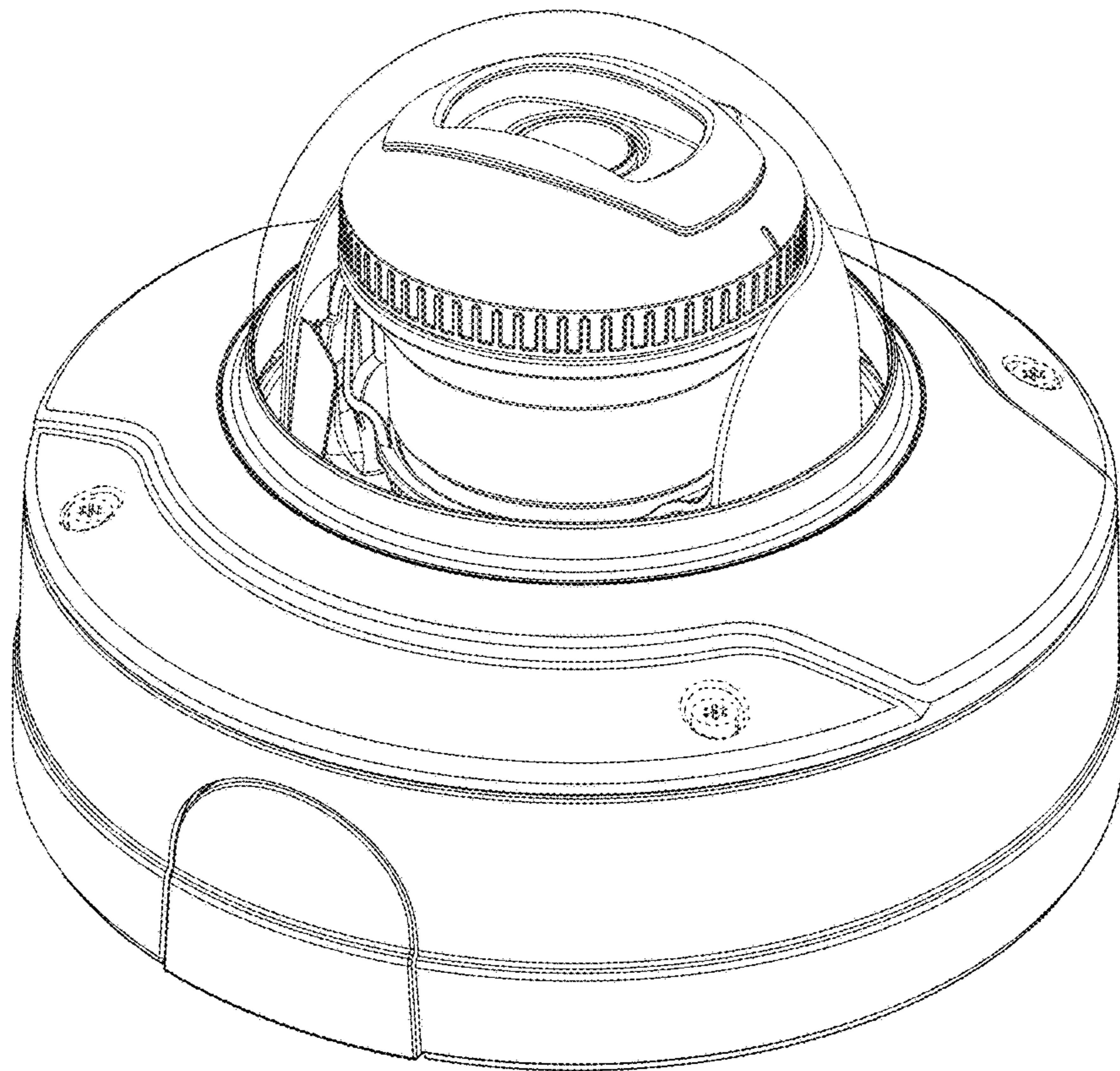


Fig. 1

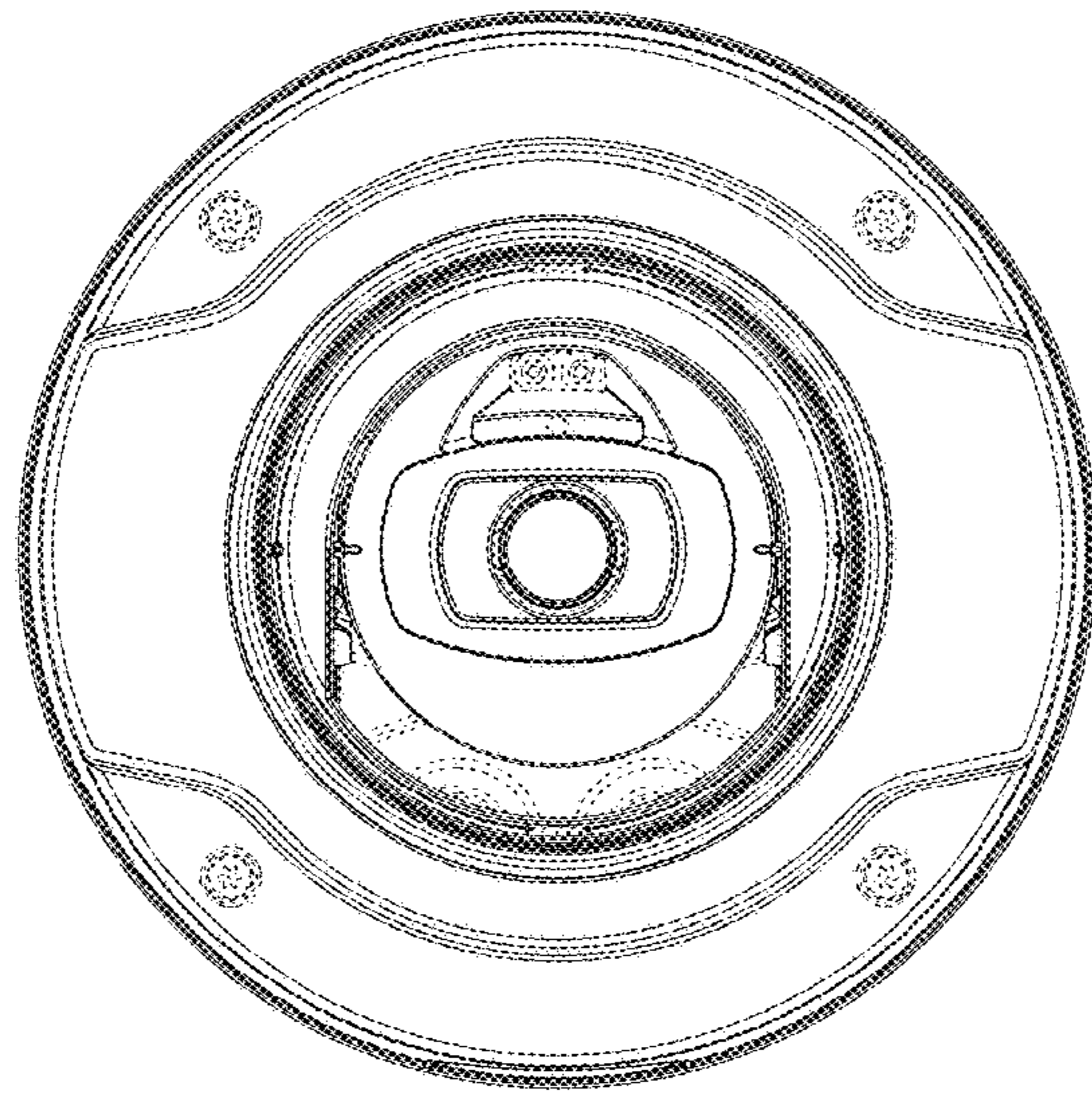


Fig. 2

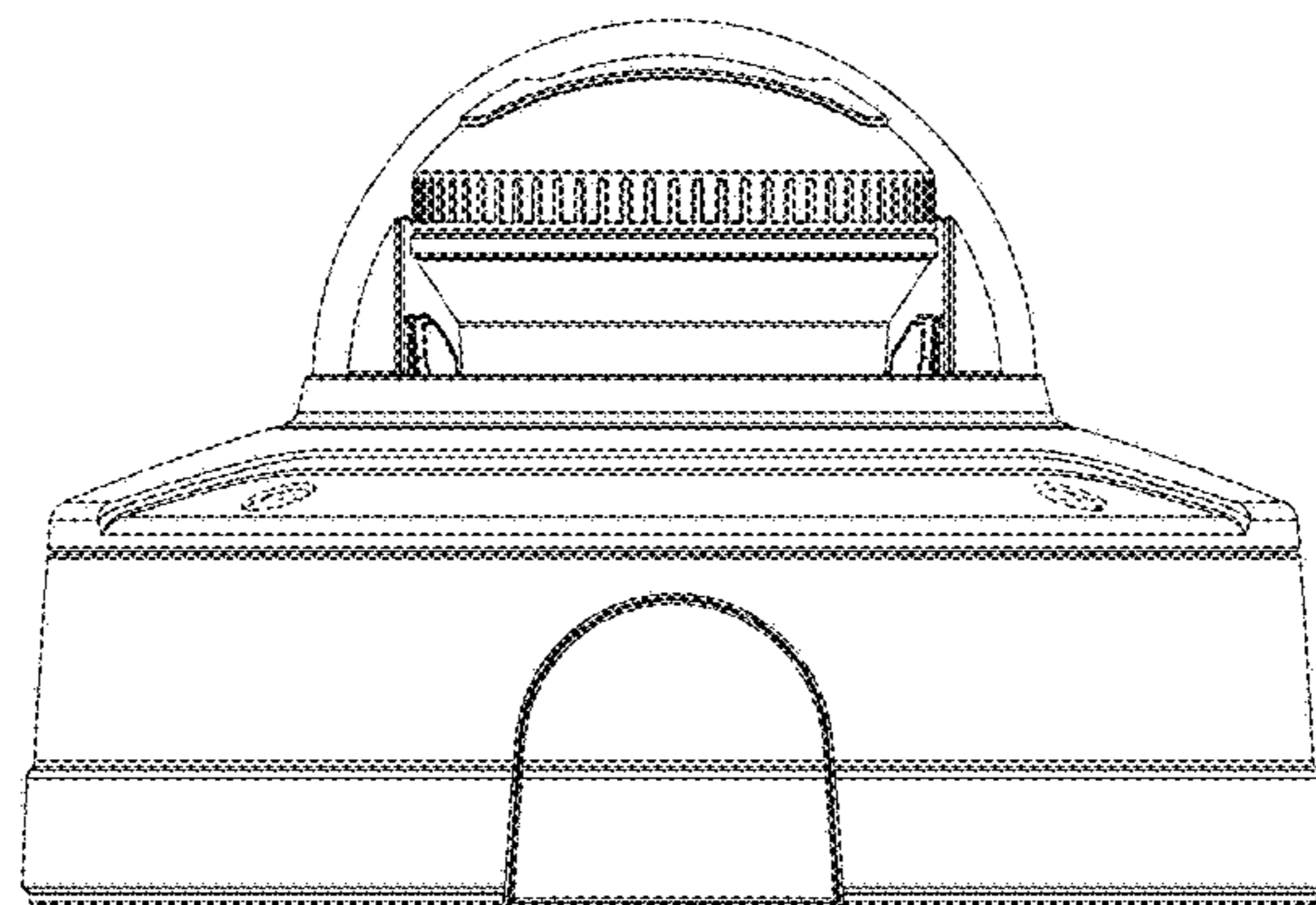


Fig. 3

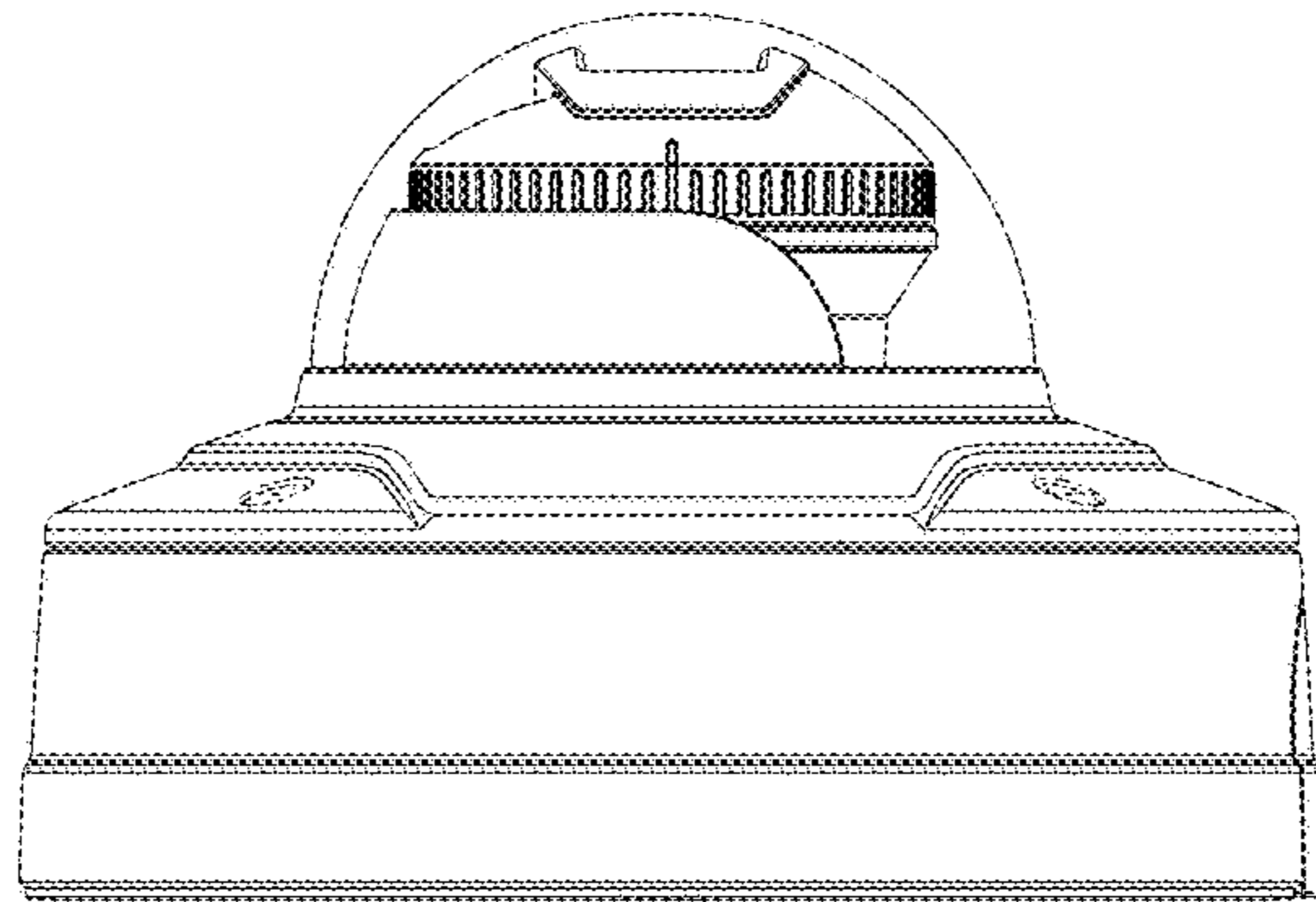


Fig. 4

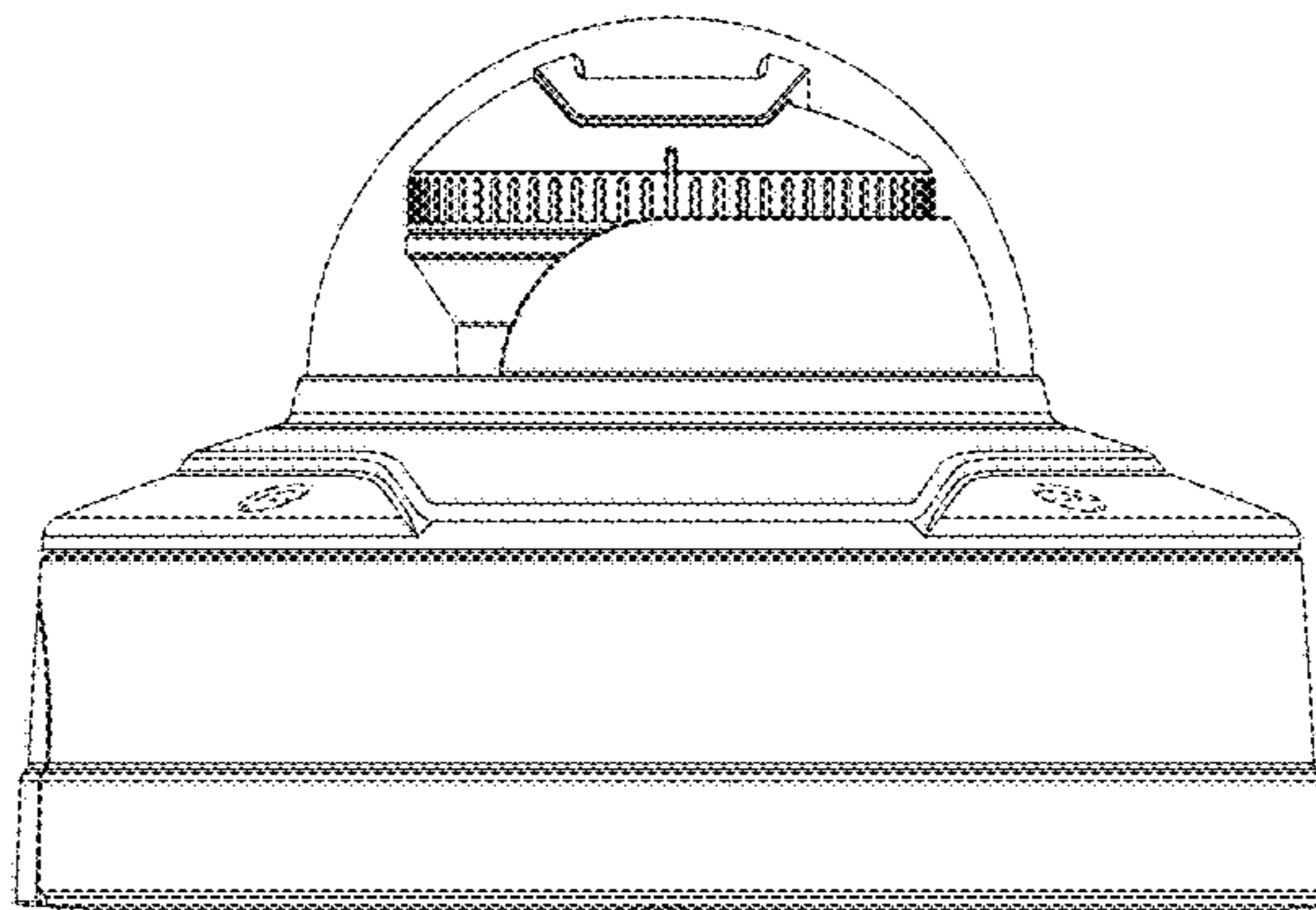


Fig. 5

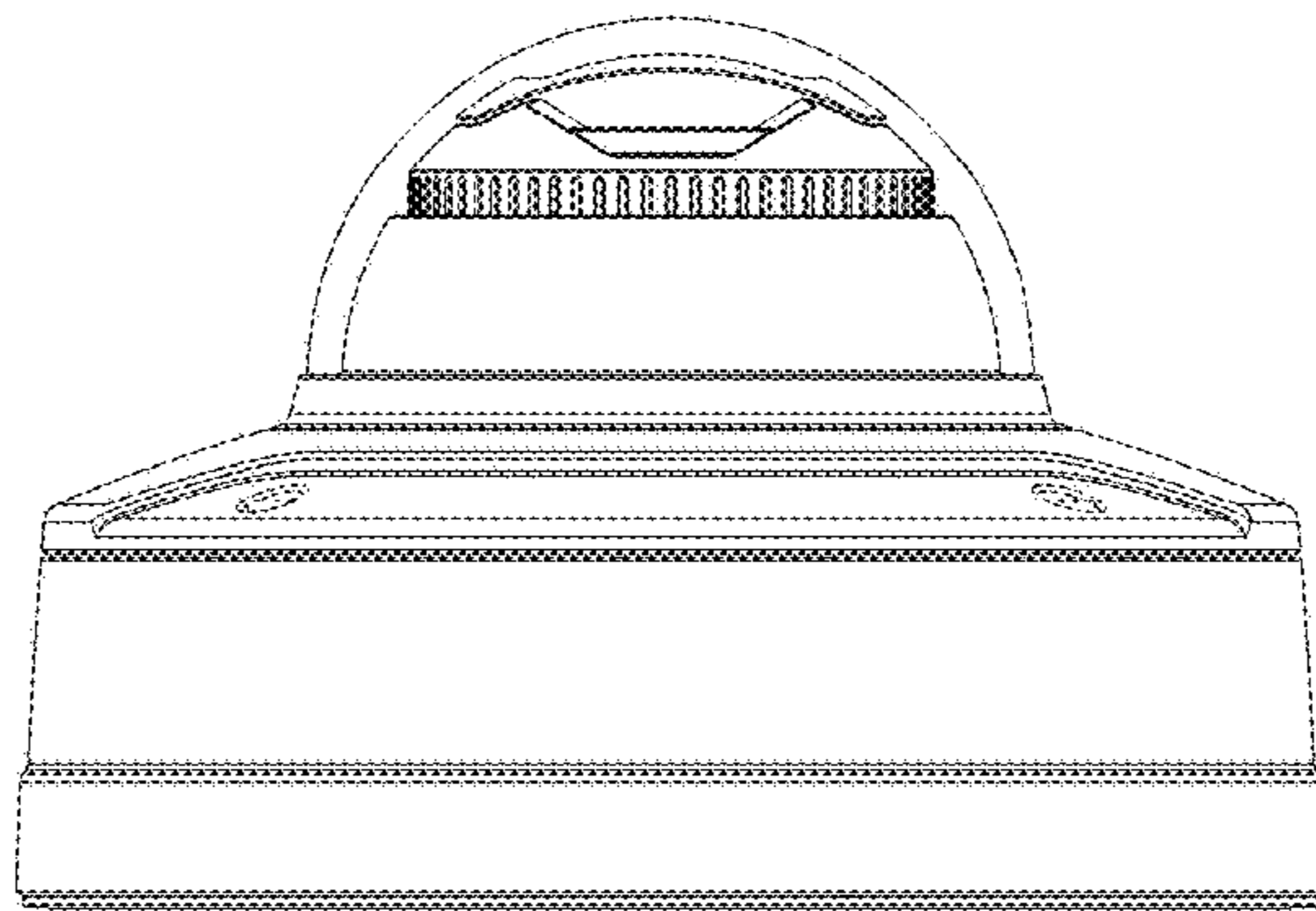


Fig. 6

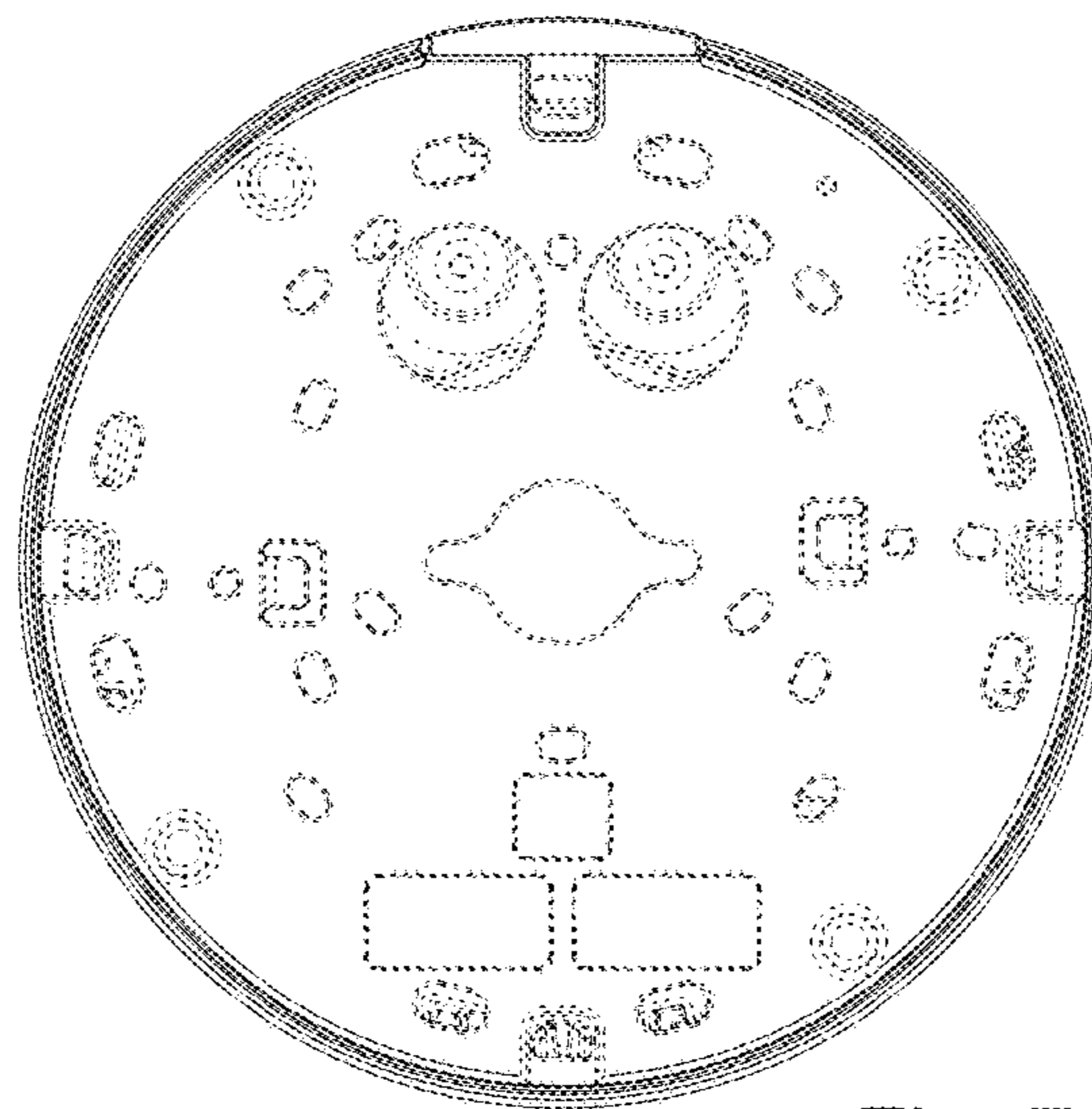


Fig. 7