



US00D861054S

(12) **United States Design Patent**
Avila et al.

(10) **Patent No.:** **US D861,054 S**

(45) **Date of Patent:** **** Sep. 24, 2019**

- (54) **FINGERED BACKUP RING**
- (71) Applicant: **Downhole Technology, LLC**, Spring, TX (US)
- (72) Inventors: **Luis Miguel Avila**, Houston, TX (US);
Evan Lloyd Davies, Houston, TX (US)
- (73) Assignee: **Downhole Technology, LLC**, Houston, TX (US)
- (**) Term: **15 Years**
- (21) Appl. No.: **29/628,344**
- (22) Filed: **Dec. 4, 2017**

Related U.S. Application Data

- (63) Continuation of application No. 29/546,380, filed on Nov. 20, 2015, now abandoned, and a continuation of application No. 14/948,240, filed on Nov. 20, 2015, now Pat. No. 10,036,221.

- (51) **LOC (12) Cl.** **15-99**
- (52) **U.S. Cl.**
USPC **D15/199**
- (58) **Field of Classification Search**
USPC D8/70, 71; D15/138, 139, 140, 141
CPC . B23B 31/261; B23B 2226/33; E21B 33/129;
E21B 33/1216; Y10T 82/2589; Y10T
279/1004; Y10T 409/309464; Y10T
409/30952
See application file for complete search history.

(56) **References Cited**

U.S. PATENT DOCUMENTS

- 2,431,961 A * 12/1947 Phillips B23B 31/14
279/131
- 3,385,147 A * 5/1968 Eisele B23B 31/4006
279/2.02

- 4,214,766 A * 7/1980 Rall B23B 31/202
279/46.7
- 4,762,447 A * 8/1988 Marantette B23B 31/205
279/4.04
- 4,861,257 A * 8/1989 Siotani B29C 33/485
425/438
- D326,102 S * 5/1992 Mizoguchi D15/140
- D349,758 S * 8/1994 Hallbach D23/259
- 5,346,344 A * 9/1994 Kress B23B 29/046
409/234
- 5,403,132 A * 4/1995 Truesdell B23B 31/202
279/145
- D364,916 S * 12/1995 Hallbach D23/259
- 5,495,425 A * 2/1996 Kanaan B23B 31/202
702/182
- 5,911,421 A * 6/1999 Steele B23B 31/202
279/157
- 6,076,441 A * 6/2000 Billington B23Q 3/067
407/11
- D437,865 S * 2/2001 Kladich D15/140
- D455,162 S * 4/2002 Lisowski D15/140

(Continued)

Primary Examiner — Patricia A Palasik

(74) *Attorney, Agent, or Firm* — Rao DeBoer Osterrieder, PLLC; John M. DeBoer

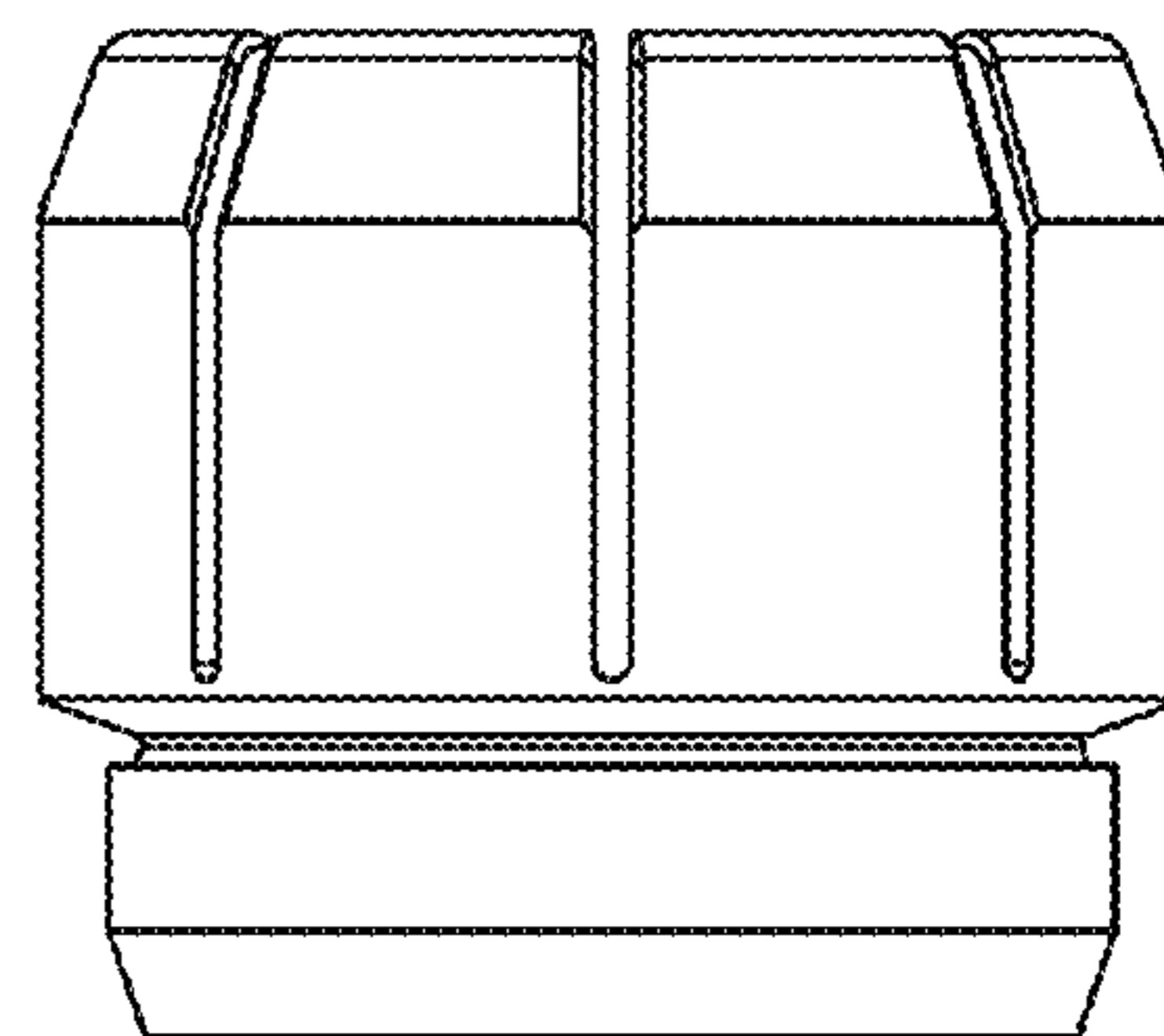
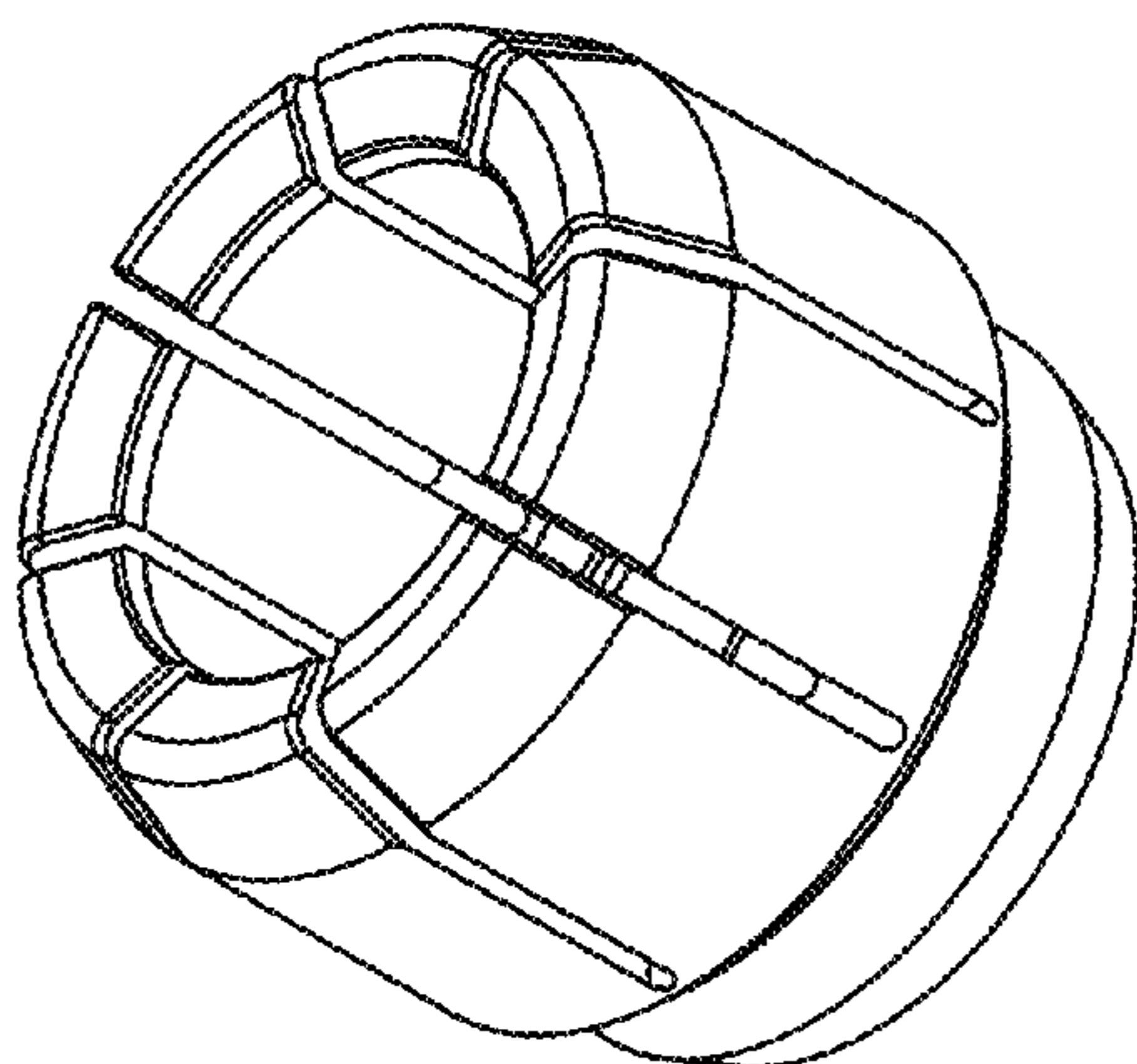
(57) **CLAIM**

The ornamental design for a fingered backup ring, as shown and described.

DESCRIPTION

FIG. 1 shows an isometric view of a top side of a fingered backup ring;
 FIG. 2 shows a side view of the fingered backup ring of FIG. 1;
 FIG. 3 shows a downward looking view of the fingered backup ring of FIG. 1;
 FIG. 4 shows an upward looking view of the fingered backup ring of FIG. 1; and,
 FIG. 5 shows an isometric view of a bottom side of the fingered backup ring of FIG. 1.

1 Claim, 3 Drawing Sheets



(56)

References Cited

U.S. PATENT DOCUMENTS

6,517,299 B1 * 2/2003 Lin B23B 31/1253
408/239 R
6,568,889 B2 * 5/2003 Rohm B23B 29/046
279/2.02
7,165,921 B2 * 1/2007 Hangleiter B23B 31/265
279/137
7,290,968 B1 * 11/2007 Wu B23B 31/207
279/8
7,673,882 B2 * 3/2010 Tanga B23B 31/201
279/42
D656,805 S * 4/2012 Baumann D8/70
D673,182 S 12/2012 Frazier
D673,183 S 12/2012 Frazier
8,403,036 B2 3/2013 Neer et al.
D700,641 S * 3/2014 Kenji D15/140
D700,642 S * 3/2014 Kenji D15/140
D721,747 S * 1/2015 Tokura D15/140
D806,136 S 12/2017 Saulou et al.
9,987,690 B2 * 6/2018 Kempster B23B 31/265
D831,198 S * 10/2018 Ross D24/127
2002/0053770 A1 * 5/2002 Hangleiter B23B 31/261
279/2.02
2004/0261241 A1 * 12/2004 Crouch B23B 31/207
29/428
2005/0098313 A1 * 5/2005 Atkins E21B 33/1216
166/202
2014/0224476 A1 8/2014 Frazier
2015/0061235 A1 * 3/2015 Schlautmann B23B 31/025
279/2.03
2016/0123104 A1 5/2016 Harris
2016/0311033 A1 * 10/2016 Kempster B23B 31/265

* cited by examiner

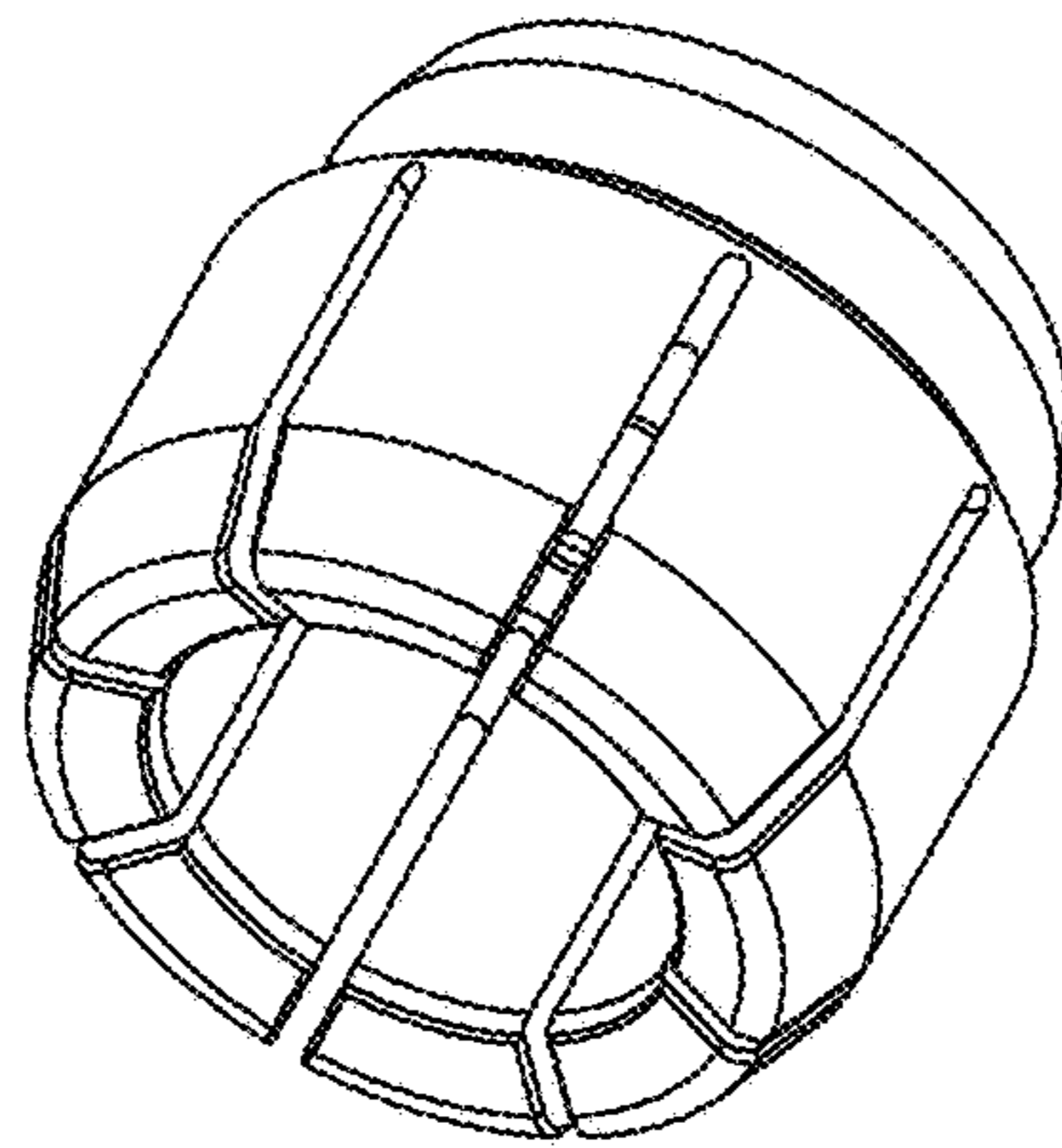


FIGURE 1

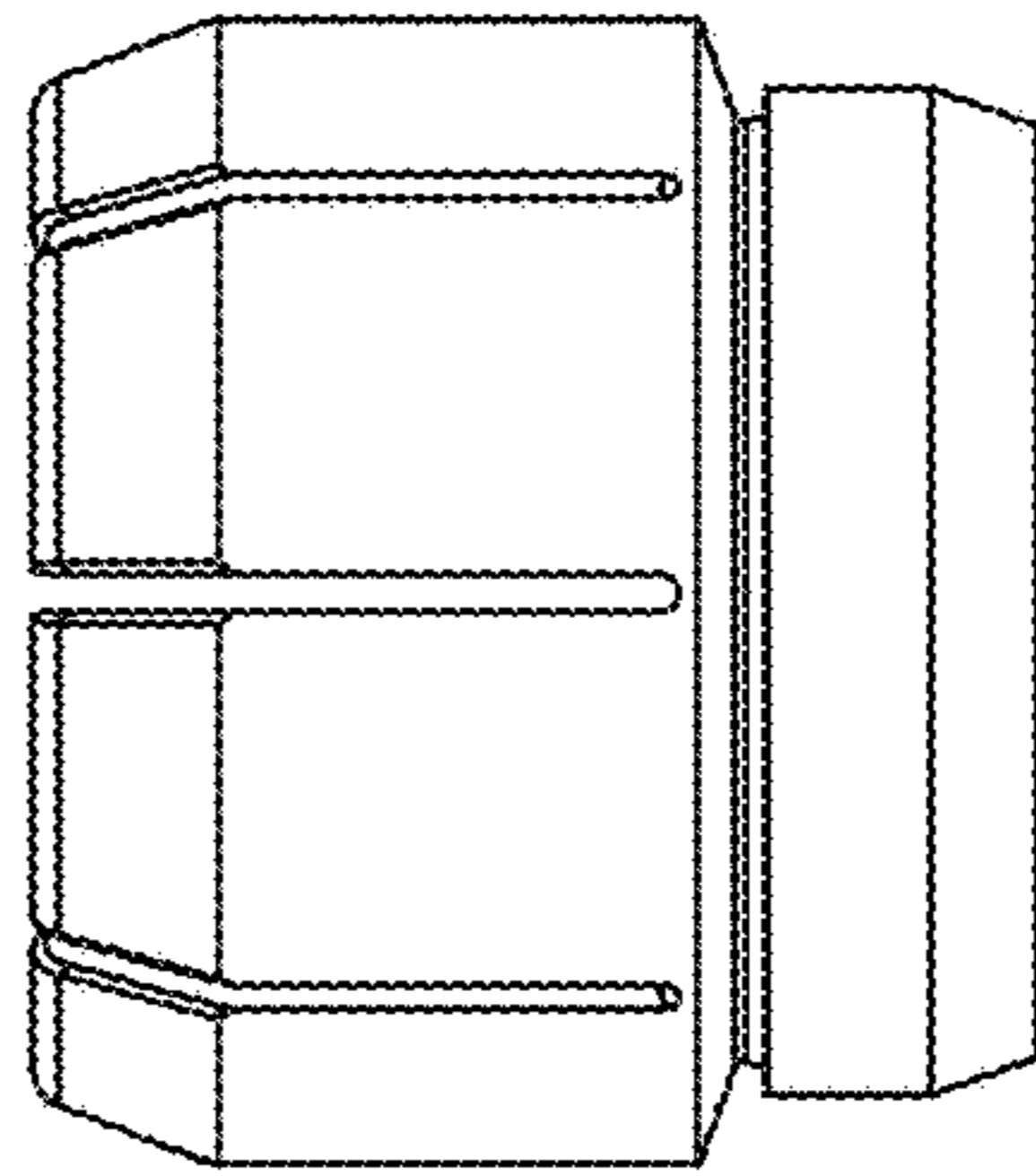


FIGURE 2

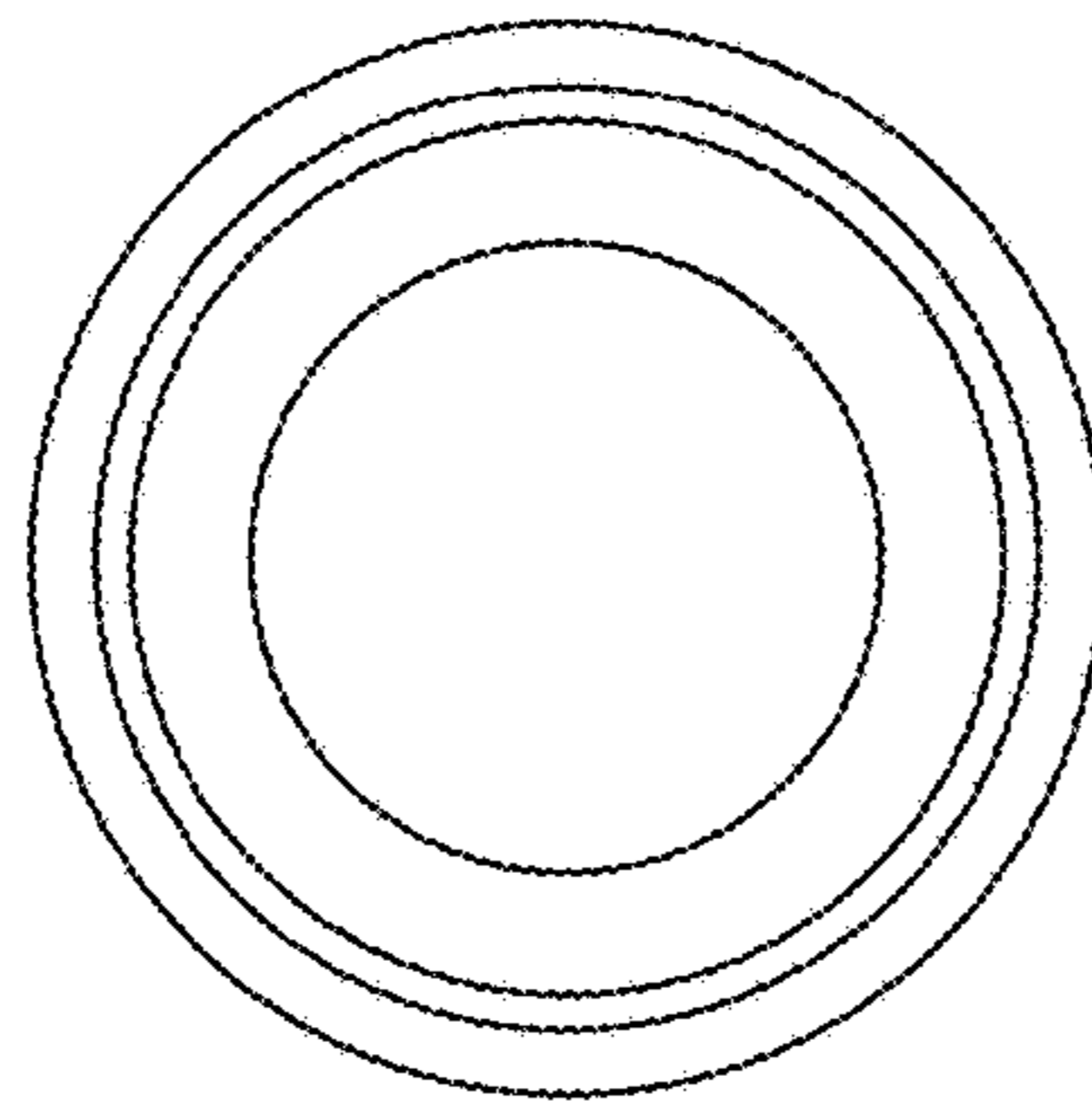


FIGURE 4

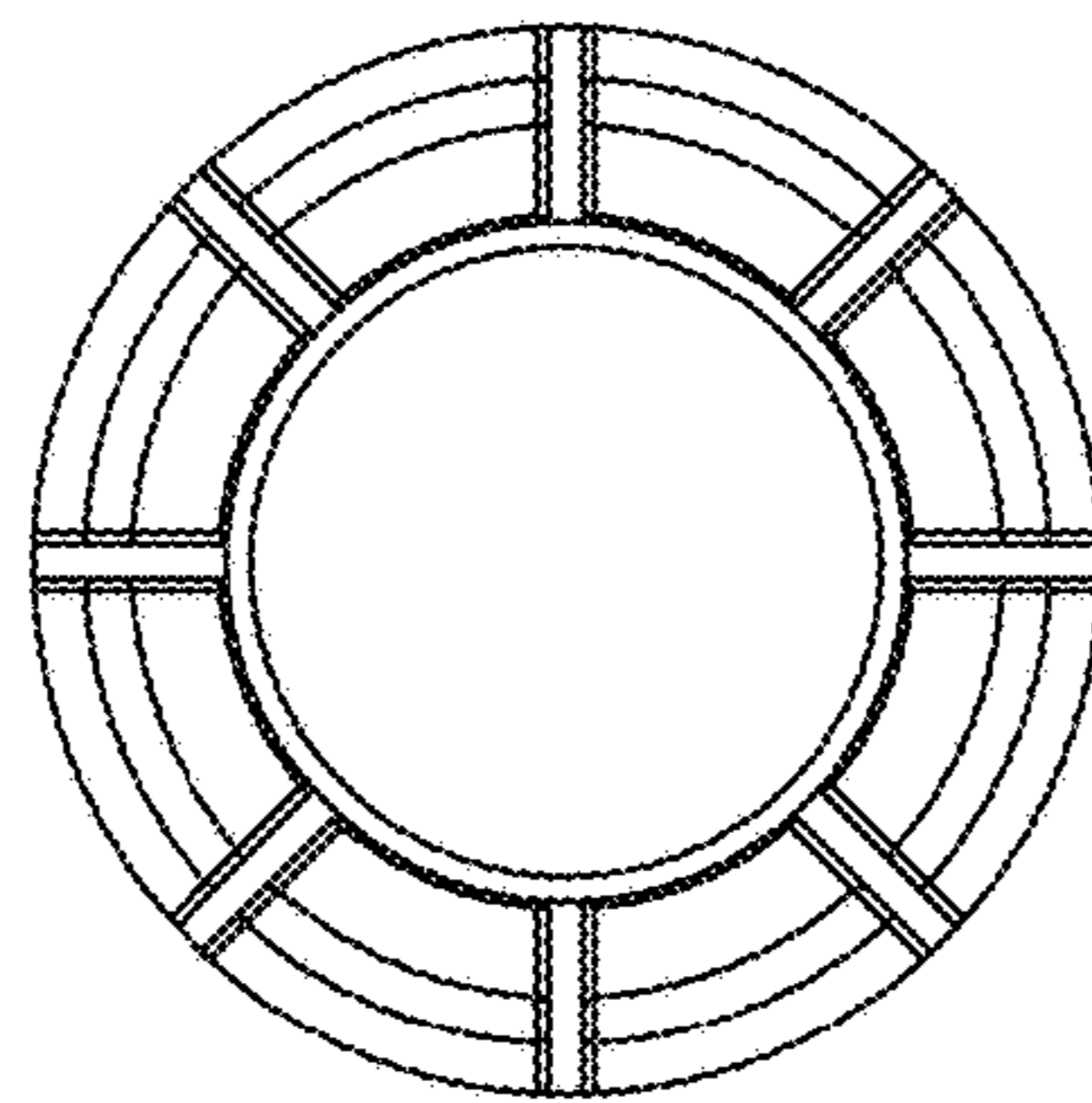


FIGURE 3

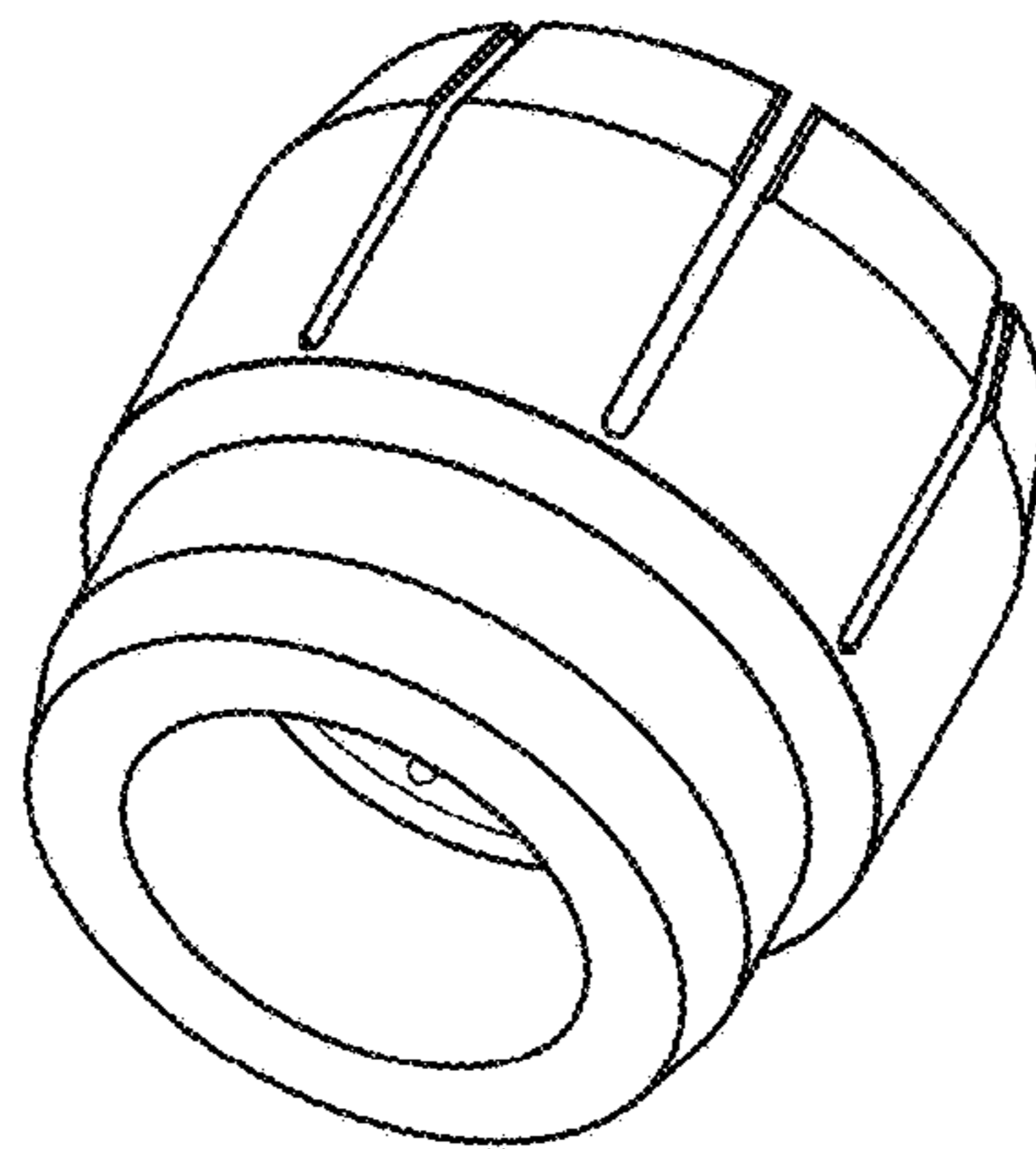


FIGURE 5