



US00D861053S

(12) **United States Design Patent**
Tally

(10) **Patent No.:** **US D861,053 S**

(45) **Date of Patent:** **** Sep. 24, 2019**

(54) **ADAPTER FOR CONNECTING A FUNNEL TO FILLING PORT OF A VEHICLE CRANKCASE**

(71) Applicant: **Lisle Corporation**, Clarinda, IA (US)

(72) Inventor: **Kevin Tally**, Clarinda, IA (US)

(73) Assignee: **Lisle Corporation**, Clarinda, IA (US)

(**) Term: **15 Years**

(21) Appl. No.: **29/626,476**

(22) Filed: **Nov. 17, 2017**

(51) **LOC (12) Cl.** **09-09**

(52) **U.S. Cl.**
USPC **D15/152**; D9/435

(58) **Field of Classification Search**
USPC D13/118, 151, 133; D12/172, 197;
D8/382; D23/260, 262, 259, 200;
D9/454, 447, 503, 536, 436, 435;
D24/129; D26/24; D7/700; D15/15,
D15/199, 150, 152
CPC .. B67D 7/348; G02B 6/3878; F01M 11/0458;
F01M 11/04; F16N 2037/006
See application file for complete search history.

(56) **References Cited**

U.S. PATENT DOCUMENTS

D244,027 S	4/1977	Mooney et al.
4,126,557 A	11/1978	Hodgkins
D332,481 S	1/1993	Petty et al.
D396,006 S	7/1998	Harris
D439,663 S	3/2001	Guala
D513,180 S	12/2005	Lindsey et al.
D543,947 S	6/2007	Phung et al.
D554,067 S	10/2007	Phung et al.
D594,395 S	6/2009	Yoshii
D601,964 S	10/2009	Rupp et al.
D623,062 S	9/2010	Gullickson et al.
D659,100 S	5/2012	Deiss

D682,690 S	5/2013	Bowes
D712,014 S	8/2014	Guest
D719,961 S	12/2014	Xiang et al.
D739,493 S	9/2015	Wyne
D752,719 S	3/2016	Lehmann
D756,760 S	5/2016	Fay, II
9,416,698 B2	8/2016	Meeks et al.
D770,266 S	11/2016	Tar et al.
D777,565 S	1/2017	Yeh
D785,789 S	5/2017	Turturro et al.
D803,045 S *	11/2017	Ploeger D9/435
D803,046 S	11/2017	Ploeger

(Continued)

OTHER PUBLICATIONS

Snap-On, Kit, Master Oil Funnel, 5 pc., #OFKIT, <<https://store.snapon.com/Funnels-Spouts-Kit-Master-Oil-Funnel-5-pc-P812978.aspx>>, May 18, 2016.

(Continued)

Primary Examiner — Cynthia Ramirez

Assistant Examiner — Laura H Yu

(74) *Attorney, Agent, or Firm* — Banner & Witcoff, Ltd.

(57) **CLAIM**

The ornamental design for an adapter for connecting a funnel to filling port of a vehicle crankcase, as shown and described.

DESCRIPTION

FIG. 1 is a top, front, right perspective view of an adapter for connecting a funnel to filling port of a vehicle crankcase showing my new design;

FIG. 2 is a front view thereof;

FIG. 3 is a rear view thereof;

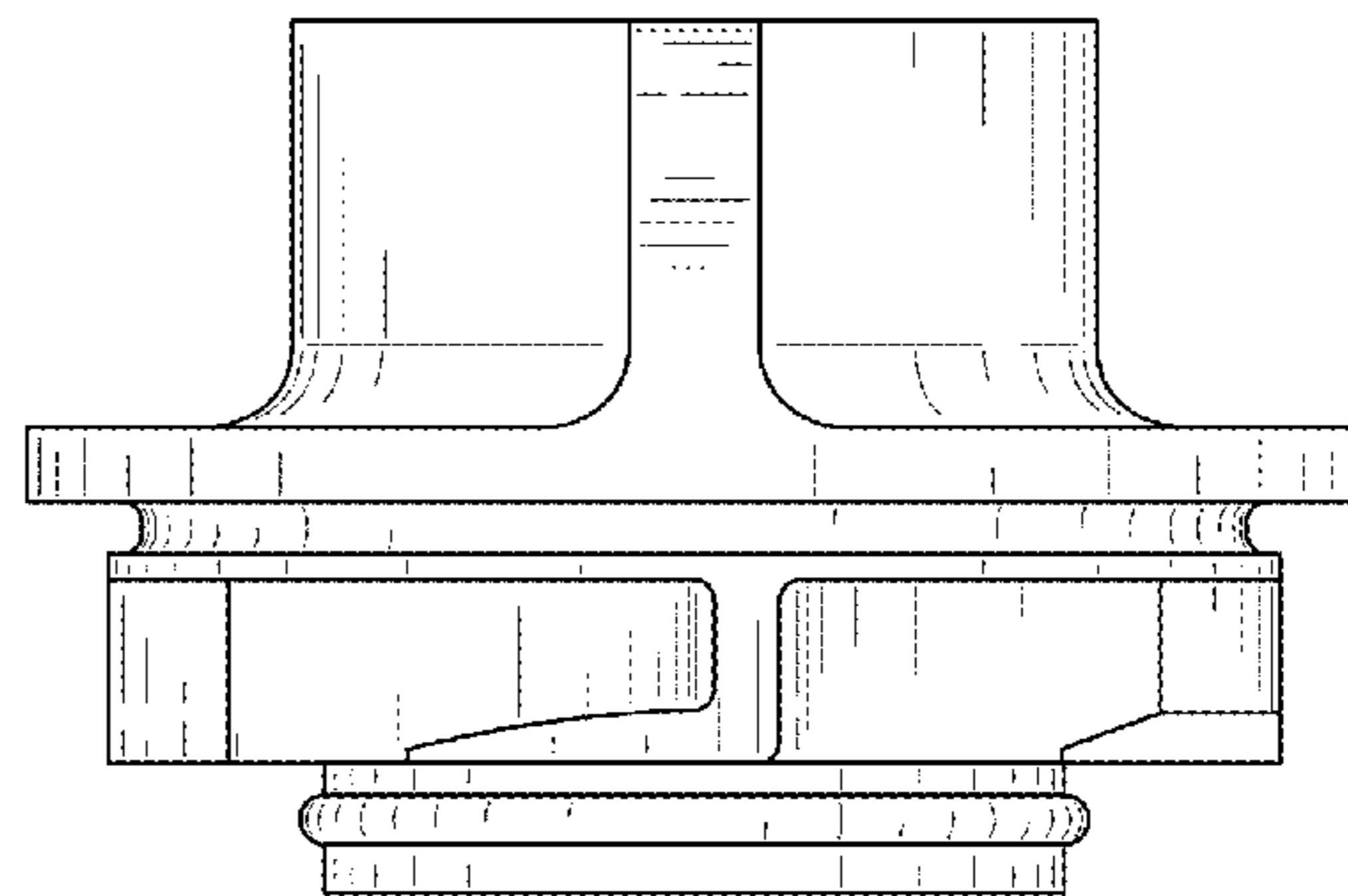
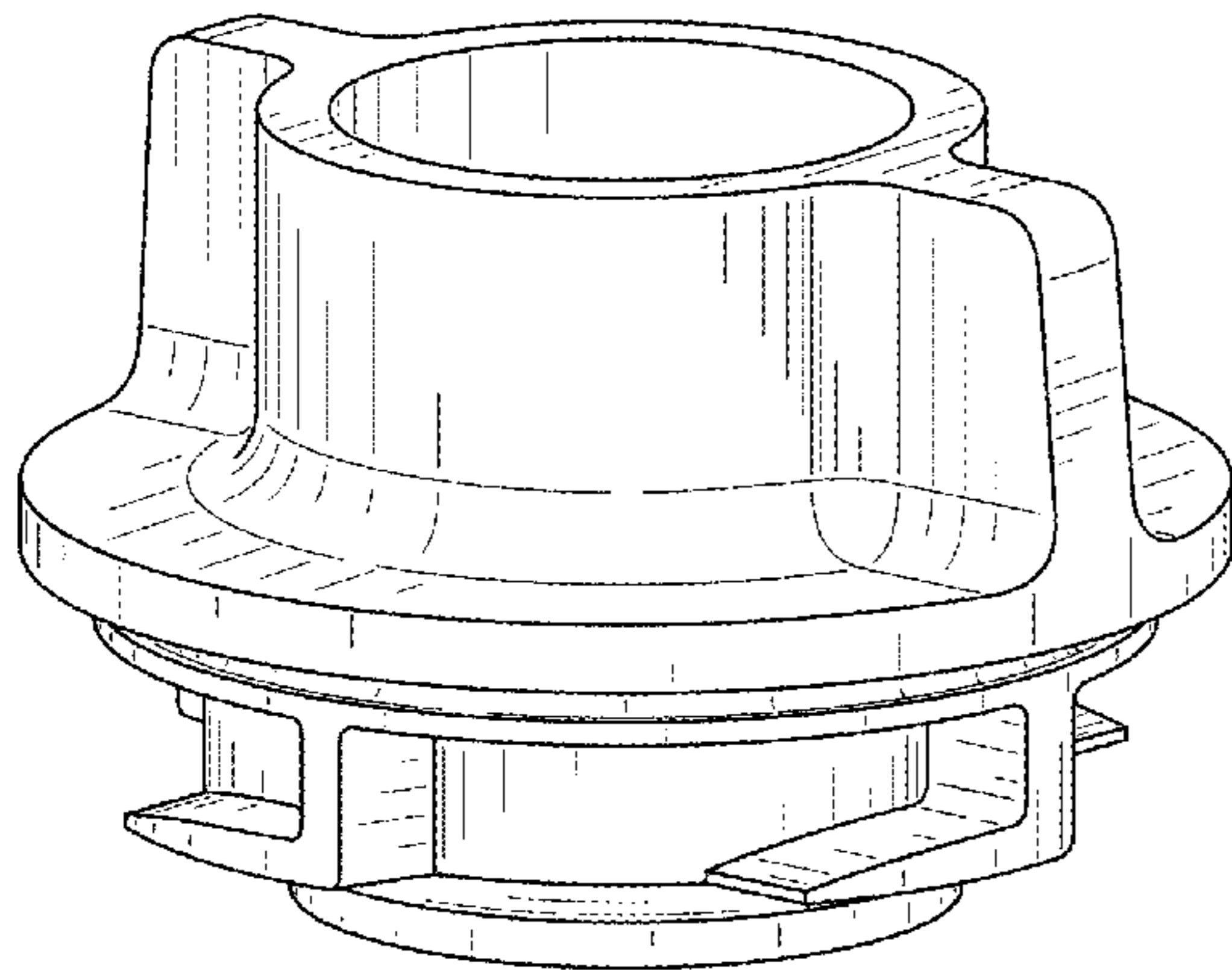
FIG. 4 is a right side view thereof;

FIG. 5 is a left side view thereof;

FIG. 6 is a top view thereof; and,

FIG. 7 is a bottom view thereof.

1 Claim, 4 Drawing Sheets



(56)

References Cited

U.S. PATENT DOCUMENTS

D803,047	S	11/2017	Ploeger	
D803,048	S	11/2017	Ploeger	
D803,049	S	11/2017	Ploeger	
D803,050	S	11/2017	Ploeger	
D804,945	S	12/2017	Ploeger	
D828,751	S *	9/2018	Ploeger	D9/435
D828,752	S *	9/2018	Ploeger	D9/435
D834,366	S *	11/2018	Ulanski	D7/391
D842,789	S *	3/2019	Chen	D12/197
2011/0100985	A1	5/2011	Tsiberidis	
2016/0070072	A1	3/2016	Penumatcha et al.	

OTHER PUBLICATIONS

CTA Manufacturing Corp., 10 pc. Oil Filling System with Universal Funnel, #7480, www.ctatools.com <<http://www.ctatools.com>>, 2015.
 Assenmacher Specialty Tools posted by AST posted date Jul. 14, 2014, ©Vehicle Service Pros, [online], [site visited May 22, 2017]. Available from Internet, <http://www.vehicleservicepros.com/directory/oil-and-lubeequipment!funnels/product/11574219/assenmacher-specialty-tools-ast-6pc-custom-oil-filling-system-with-universal-funnel-no-7480>.
 Lisle's Multi-Application Oil Funnel Helps Eliminate Oil Spills posted by Tech Shop Writers posted date Oct. 13, 2015, ©Tech

Shop, [online], [site visited May 24, 2017]. Available from Internet, <http://www.techshopmag.com/lisles-multi-application-oilfunnel-helps-eliminate-oil-spills/>.

19342 Multi-Application Oil Funnel posted by Lisle Corporation posted date Sep. 24, 2015, © YouTube, [online], [site visited May 24, 2017]. Available from Internet, <https://www.youtube.com/watch?v=CwfsRo2uVo8>.

Lis19342 Multi Application Oil Funnel posted by Eppy Tool & Equipment posted date May 11, 2016, © YouTube, [online], [site visited May 24, 2017]. Available from Internet, <https://www.youtube.com/watch?v=CwfsRo2uVo8>.

19342 Multi Application Oil Funnel Overview Tutorial posted by JEGS Performance posted date Jul. 21, 2016, © YouTube, [online], [site visited May 24, 2017]. <https://www.youtube.com/watch?v=MFSLstHtENQ>.

Oil Funnel Kit, No. OFKIT posted by Snap On Inc. posted date Mar. 30, 2015, ©Vehicle Service Pros, [online], [site visited May 24, 2017]. <http://www.vehicleservicepros.com/directory/oil-and-lube-equipment/product/12059826/snapon-inc-oil-funnel-kit-noofkit>.

Oil Filling System posted by CTA Manufacturing Corp. posted date Jul. 22, 2015, ©Vehicle Service Pros, [online], [site visited May 22, 2017]. Available from Internet, <http://www.vehicleservicepros.com/directory/oil-and-lube-equipment/oil-changeequipment!product/12095086/cta-manufacturing-corp-10pc-oil-filling-system-with-universal-funnel-no-7480>.

* cited by examiner

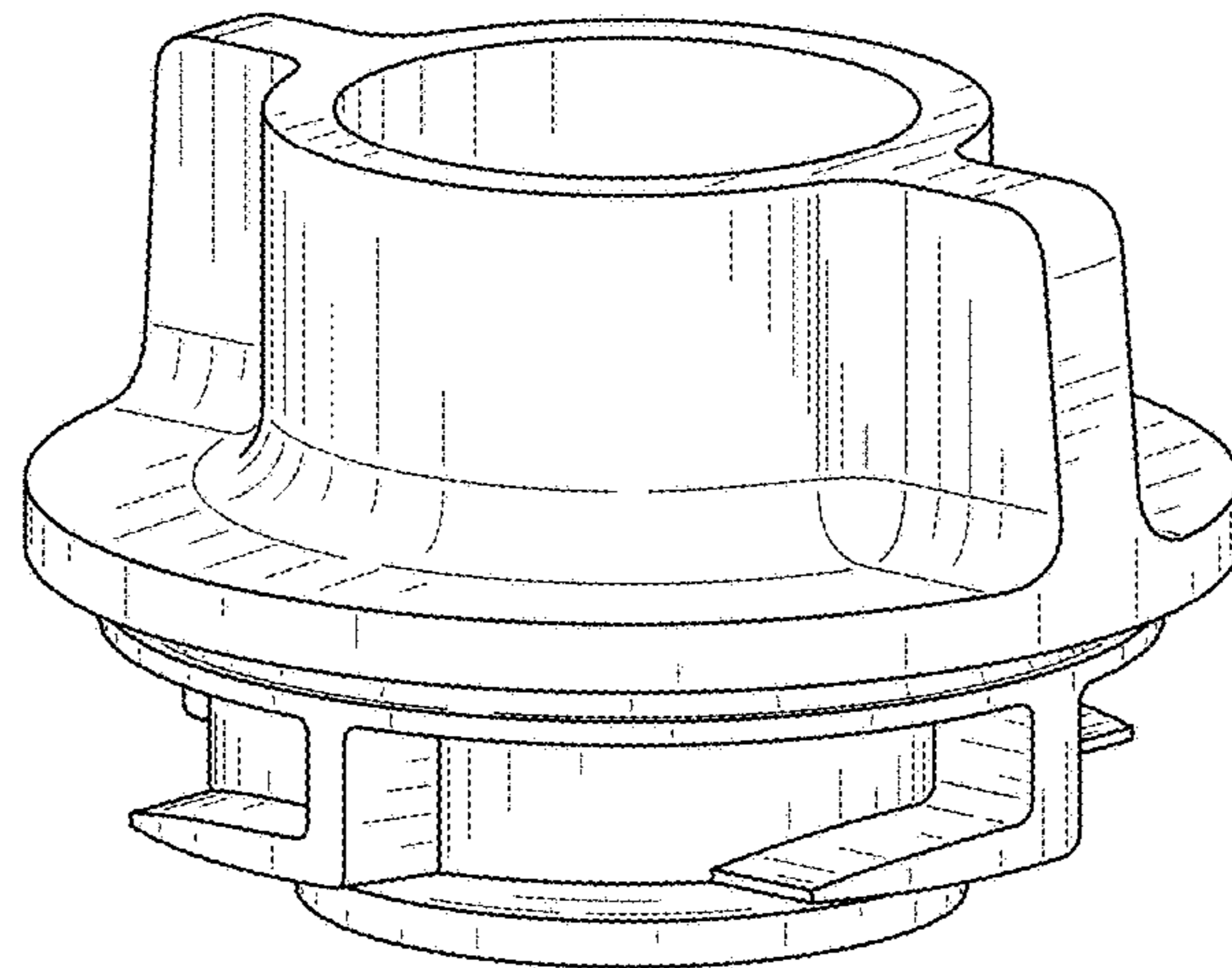


FIG. 1

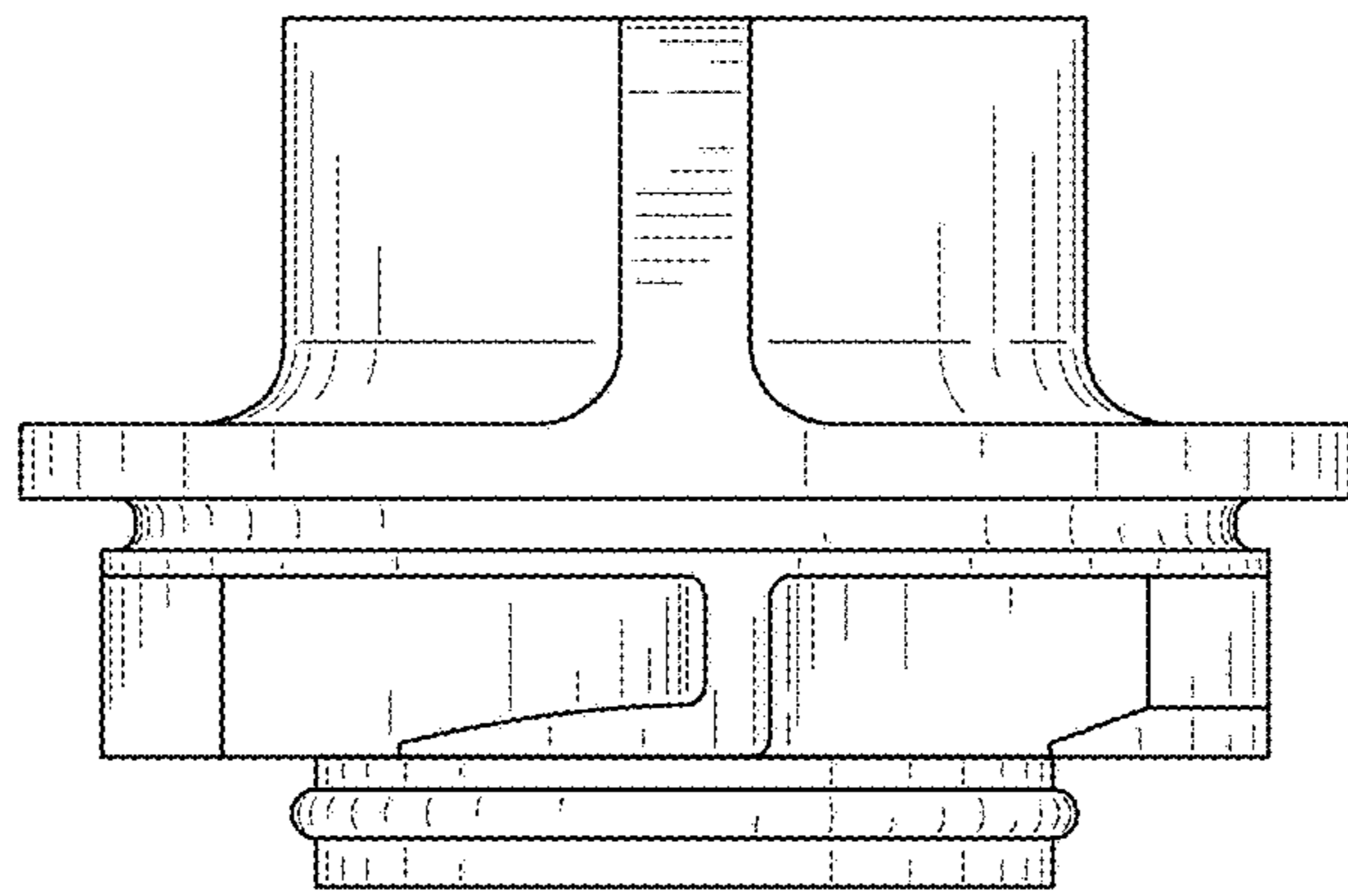


FIG. 2

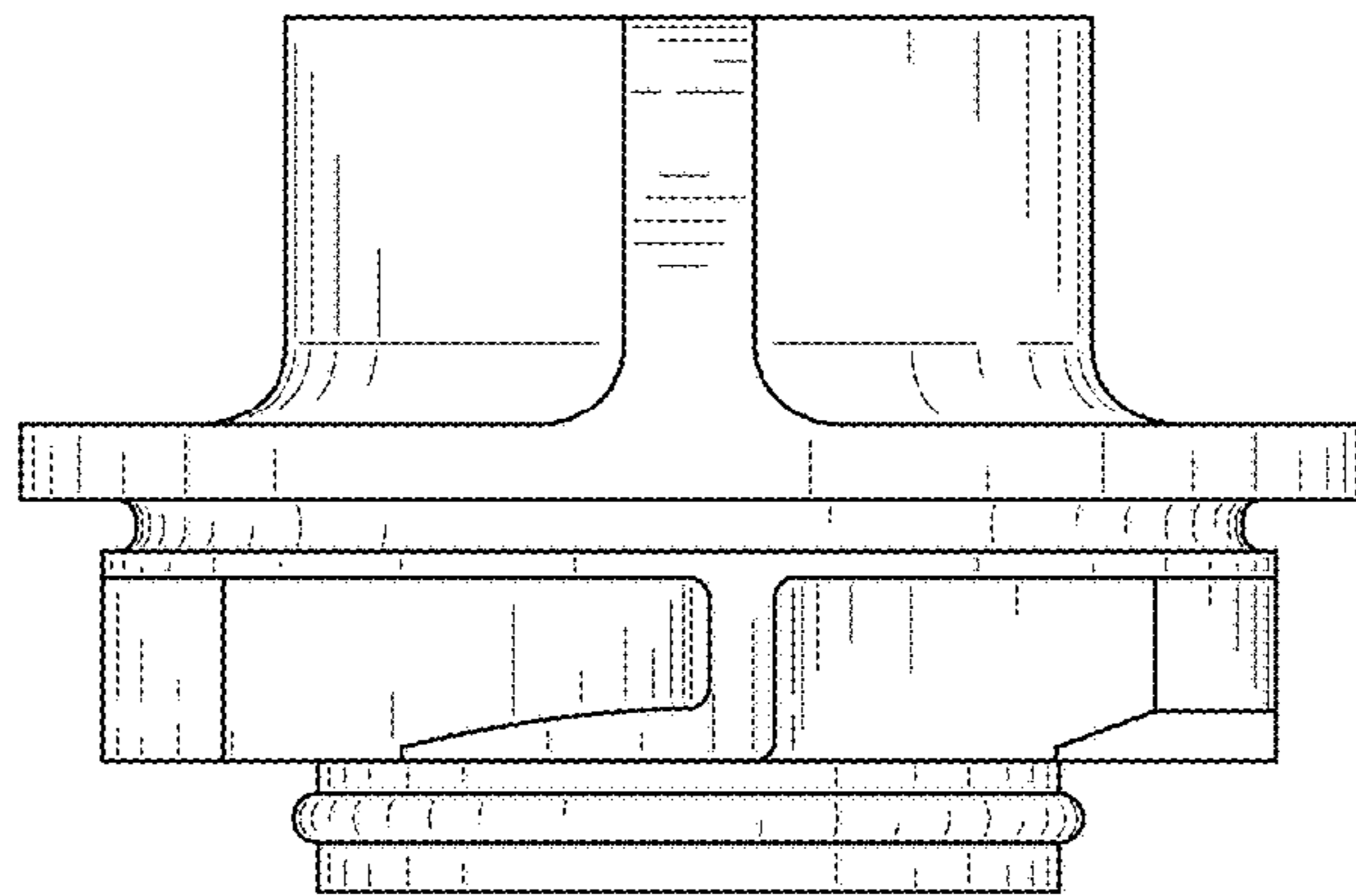


FIG. 3

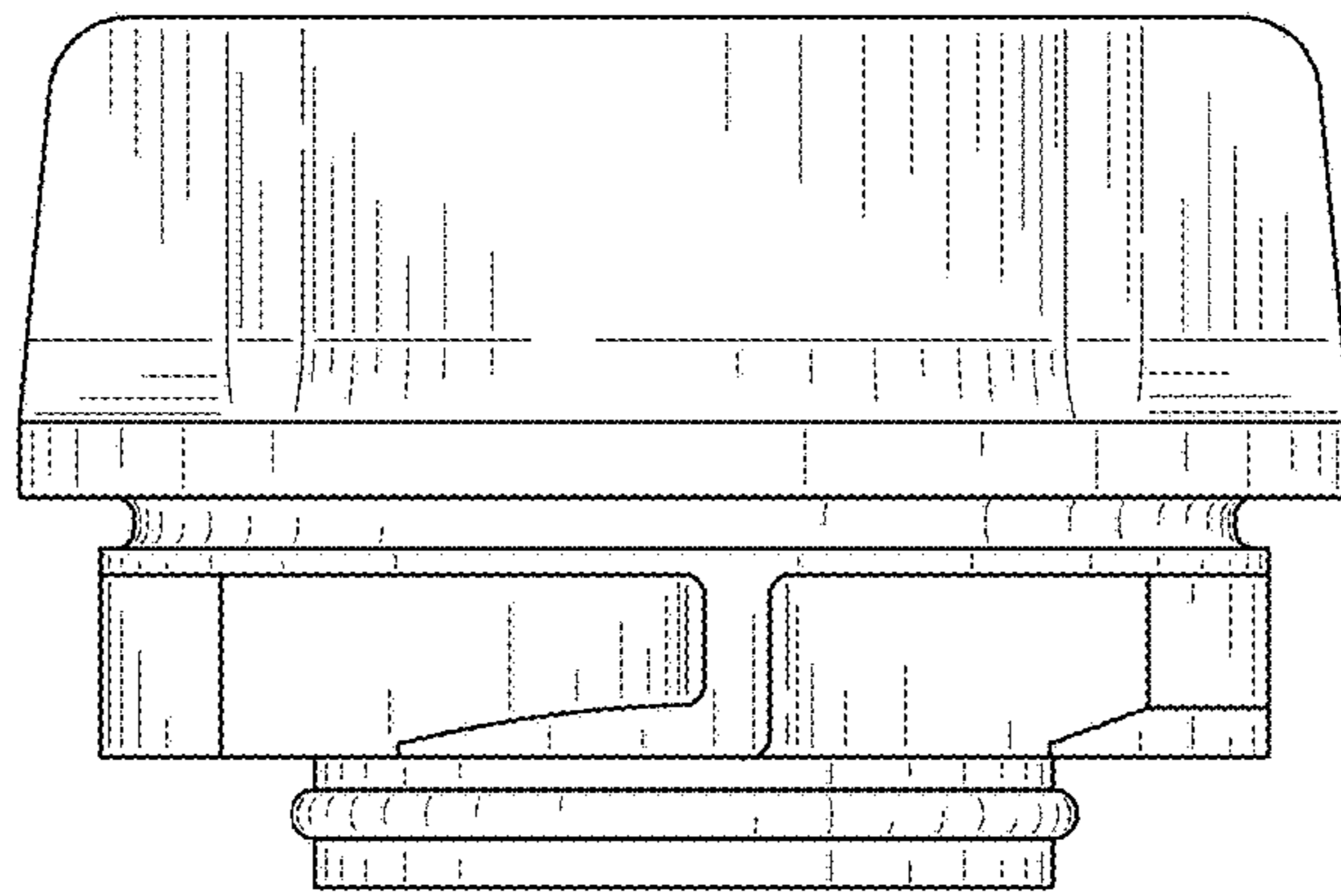


FIG. 4

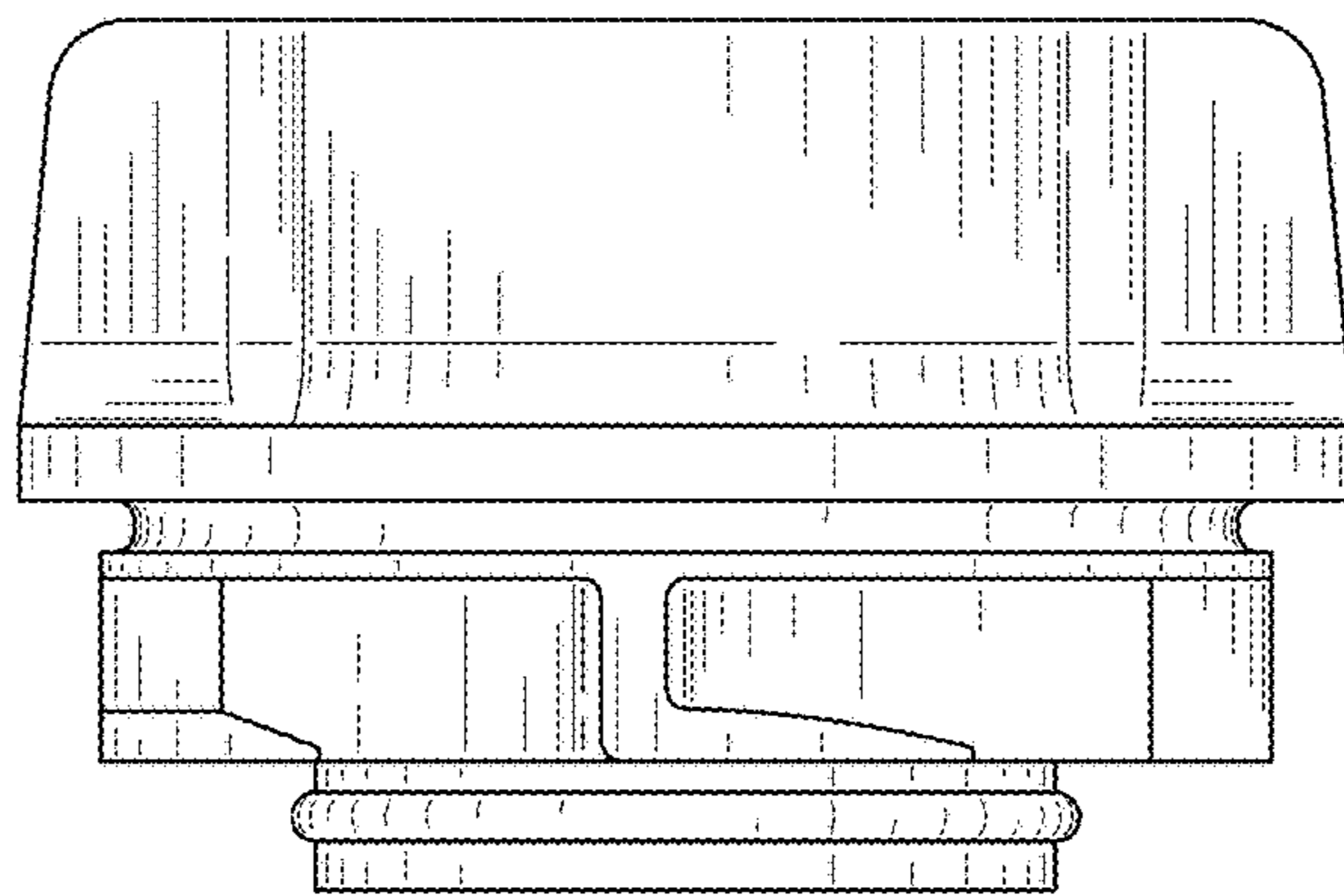


FIG. 5

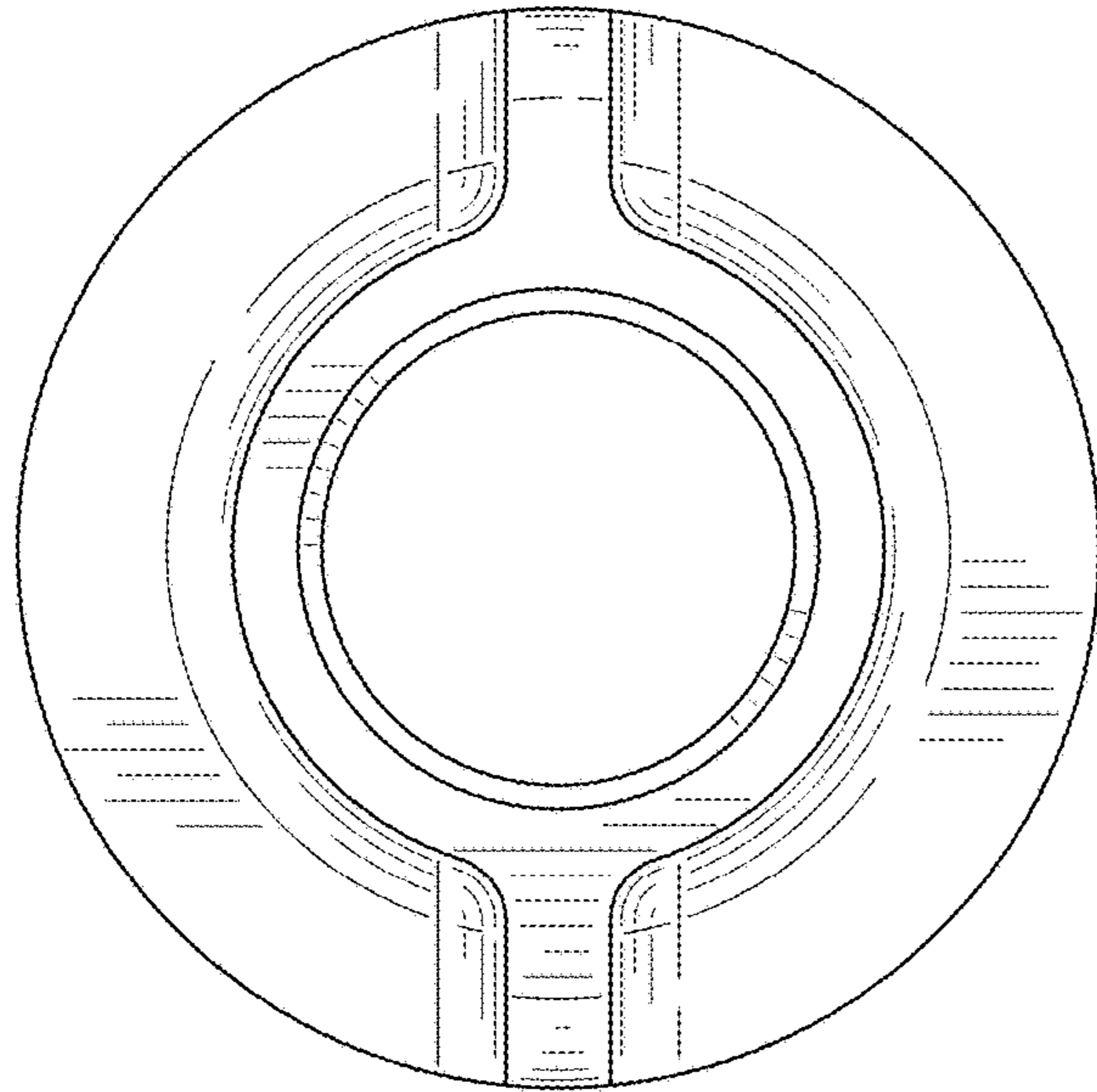


FIG. 6

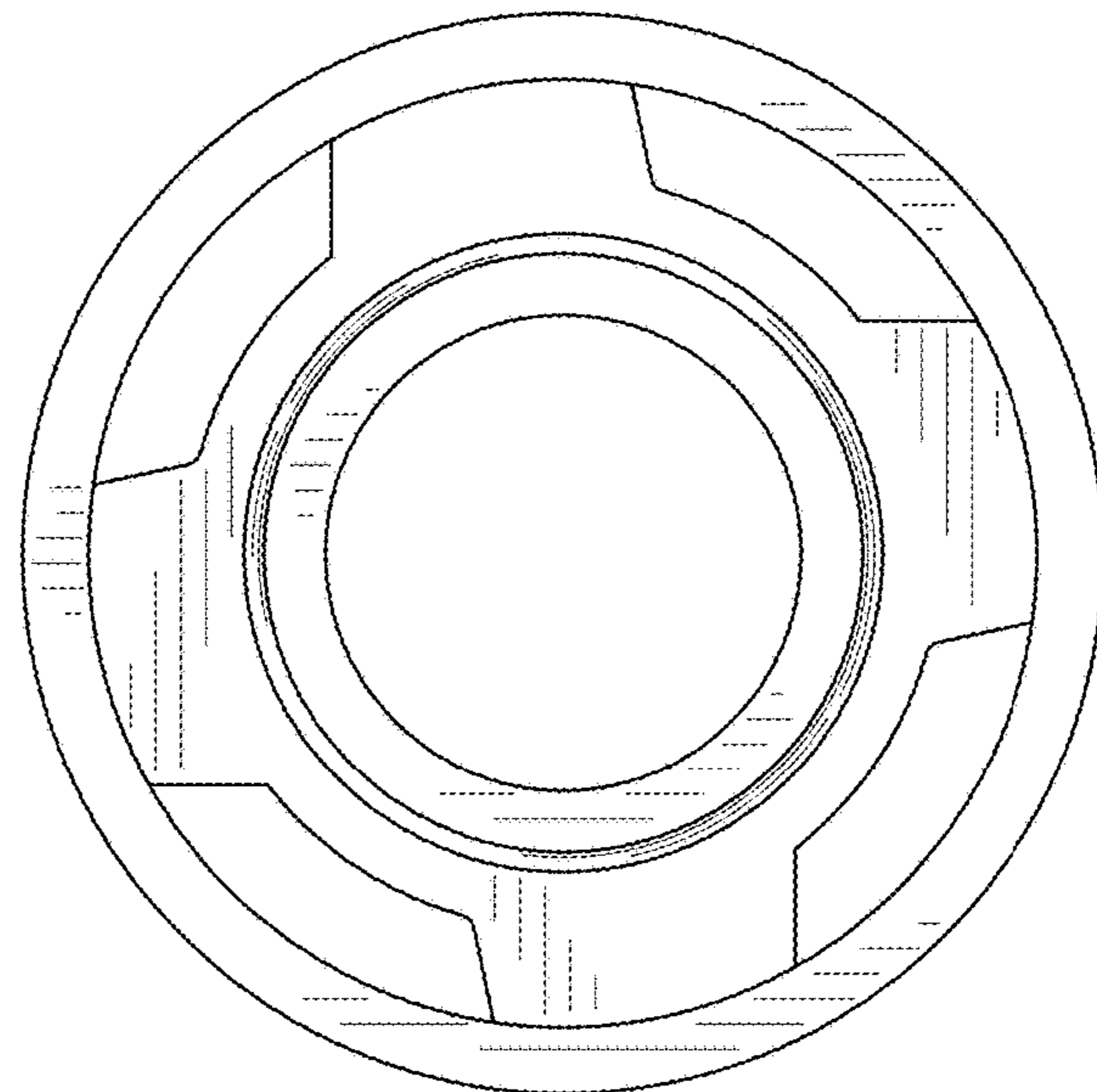


FIG. 7