



US00D861052S

(12) **United States Design Patent**
Zhuang

(10) **Patent No.:** **US D861,052 S**

(45) **Date of Patent:** **** Sep. 24, 2019**

(54) **PORTION OF ELECTRIC CYLINDER**

(71) Applicant: **TIMOTION TECHNOLOGY CO., LTD.**, New Taipei (TW)

(72) Inventor: **Bing-Sen Zhuang**, New Taipei (TW)

(73) Assignee: **TIMOTION TECHNOLOGY CO., LTD.**, New Taipei (TW)

(**) Term: **15 Years**

(21) Appl. No.: **29/646,820**

(22) Filed: **May 7, 2018**

(30) **Foreign Application Priority Data**

Apr. 4, 2018 (JP) 2018-007438

(51) **LOC (12) Cl.** **15-09**

(52) **U.S. Cl.**
USPC **D15/143**; D13/174; D15/148

(58) **Field of Classification Search**
USPC D13/118, 158, 174, 184; D15/1-9, 122, D15/143, 147, 148, 149, 199
CPC F16H 2025/2087; F16H 2025/209; F16H 2025/2463; F16H 2025/2071; F16H 2025/2084; Y10T 74/1896; Y10T 74/18704; H01F 7/066
See application file for complete search history.

(56) **References Cited**

U.S. PATENT DOCUMENTS

- 5,720,202 A * 2/1998 Senjo B23Q 5/404 384/53
- 5,755,515 A * 5/1998 Senjo B23Q 1/01 384/45
- 5,831,360 A * 11/1998 Senjo H02K 1/185 310/80
- D458,284 S * 6/2002 Landerholm D15/143
- D514,146 S * 1/2006 Haneball D15/143

- D523,880 S * 6/2006 Christensen D15/143
- D577,753 S * 9/2008 Lund D15/143
- D589,459 S * 3/2009 Iida D13/158
- D589,543 S * 3/2009 Lin D15/143
- D589,991 S * 4/2009 Chen D15/143
- D595,752 S * 7/2009 Lin D15/143
- D595,753 S * 7/2009 Tseng D15/143
- D596,652 S * 7/2009 Roither D15/143
- D596,653 S * 7/2009 Fukano D15/143
- D620,961 S * 8/2010 Iversen D15/143
- D625,745 S * 10/2010 Chiang D15/143
- D646,310 S * 10/2011 Lan D15/143
- D654,524 S * 2/2012 Iversen D15/199
- D656,975 S * 4/2012 Tseng D15/143
- D665,433 S * 8/2012 Beam D15/143
- D686,257 S * 7/2013 Wu D15/143

(Continued)

Primary Examiner — Garth Rademaker

Assistant Examiner — Fritzgerald L Butac

(74) *Attorney, Agent, or Firm* — Chun-Ming Shih; HDLS IPR Services

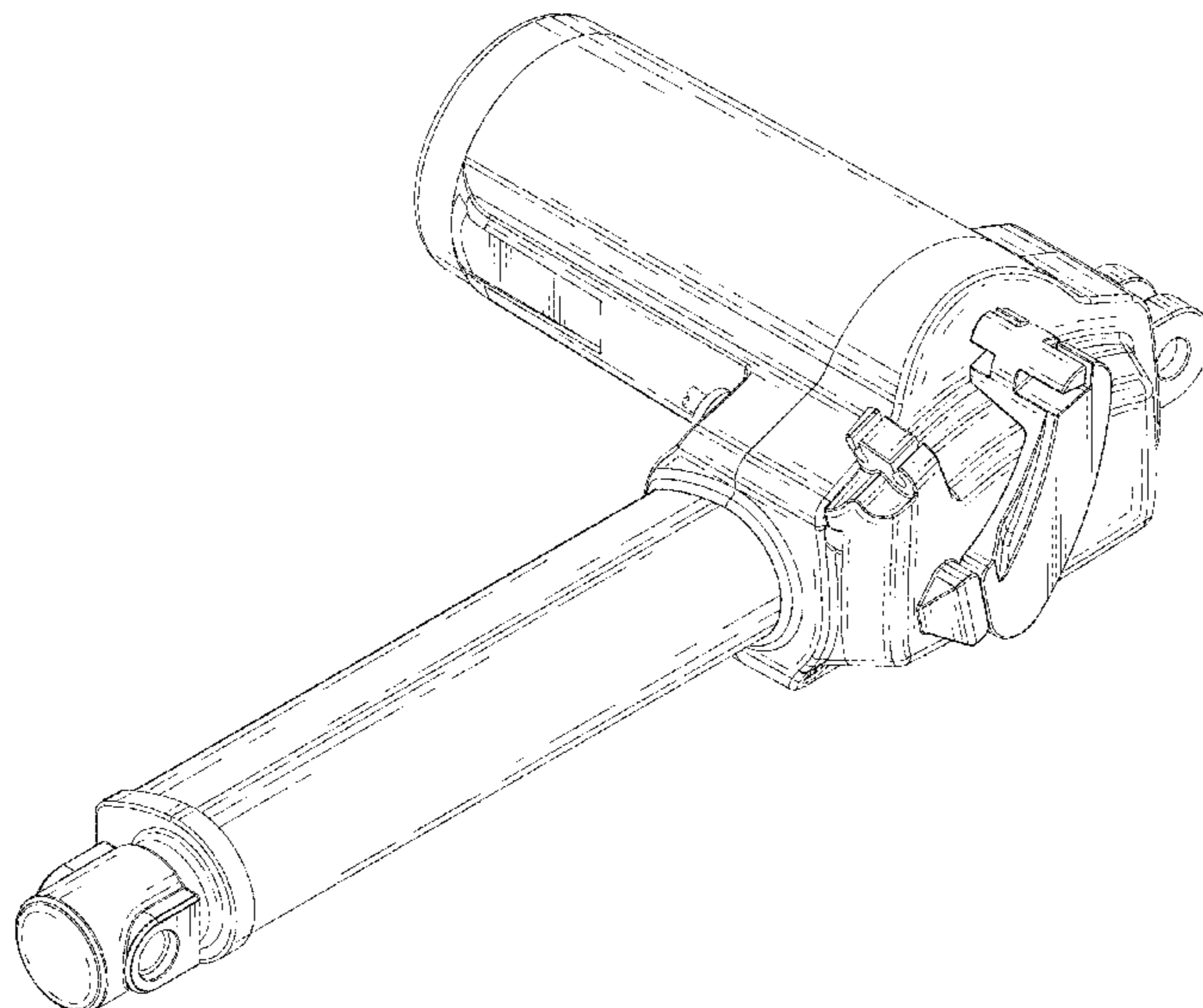
(57) **CLAIM**

The ornamental design for a portion of electric cylinder, as shown and described.

DESCRIPTION

FIG. 1 is a perspective view of a portion of electric cylinder showing my new design;
 FIG. 2 is a front view thereof;
 FIG. 3 is a rear view thereof;
 FIG. 4 is a left side view thereof;
 FIG. 5 is a right side view thereof;
 FIG. 6 is a top view thereof;
 FIG. 7 is a bottom view thereof;
 FIG. 8 is second perspective view thereof; and,
 FIG. 9 is third perspective view showing the portion of electric cylinder.
 The broken lines show parts of an electric cylinder that form no part of the claimed design.

1 Claim, 9 Drawing Sheets



(56)

References Cited

U.S. PATENT DOCUMENTS

D686,260 S *	7/2013	Wu	D15/143	D785,061 S *	4/2017	Gong	D15/148
D686,648 S *	7/2013	Wu	D15/143	D785,062 S *	4/2017	Gong	D15/148
D695,798 S *	12/2013	Wu	D15/143	D785,063 S *	4/2017	Gong	D15/148
D695,799 S *	12/2013	Landerholm	D15/143	D792,490 S *	7/2017	Lin	D15/143
D696,704 S *	12/2013	Battistella	D15/143	D792,491 S *	7/2017	Lin	D15/143
D762,753 S *	8/2016	Luck	D15/143	D792,492 S *	7/2017	Lin	D15/143
D765,748 S *	9/2016	Bogelund	D15/143	D800,195 S *	10/2017	Lin	D15/148
D765,749 S *	9/2016	Wu	D15/143	D806,151 S *	12/2017	Landerholm	D15/143
D767,656 S *	9/2016	Wu	D15/143	D806,153 S *	12/2017	Skov	D15/148
9,482,327 B2 *	11/2016	Kondo	F16H 25/20	D809,038 S *	1/2018	Zhuang	D15/148
D776,728 S *	1/2017	Wu	D15/143	D819,100 S *	5/2018	Lin	D15/148
D776,729 S *	1/2017	Wu	D15/143	D821,471 S *	6/2018	Zhuang	D15/148
9,541,178 B2 *	1/2017	Otsuka	F16J 15/168	D839,937 S *	2/2019	Zhuang	D15/143
D778,968 S *	2/2017	Luck	D15/143	D844,038 S *	3/2019	Alfano	D15/148
D784,431 S *	4/2017	Liou	D15/143	D846,011 S *	4/2019	Ishikawa	D15/149
					D846,012 S *	4/2019	Ishikawa	D15/149
					D851,147 S *	6/2019	Knudsen	D15/148

* cited by examiner

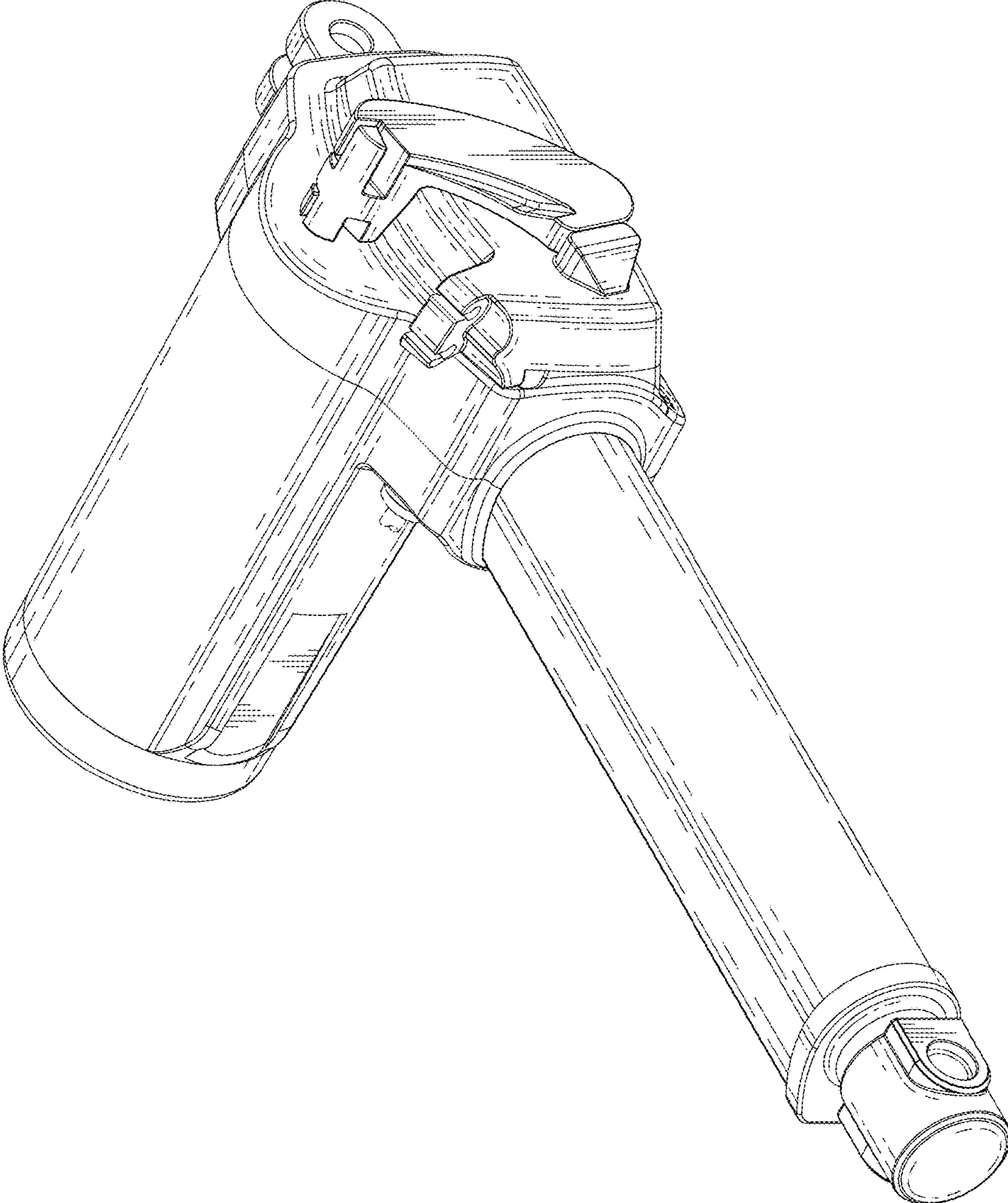


FIG.1

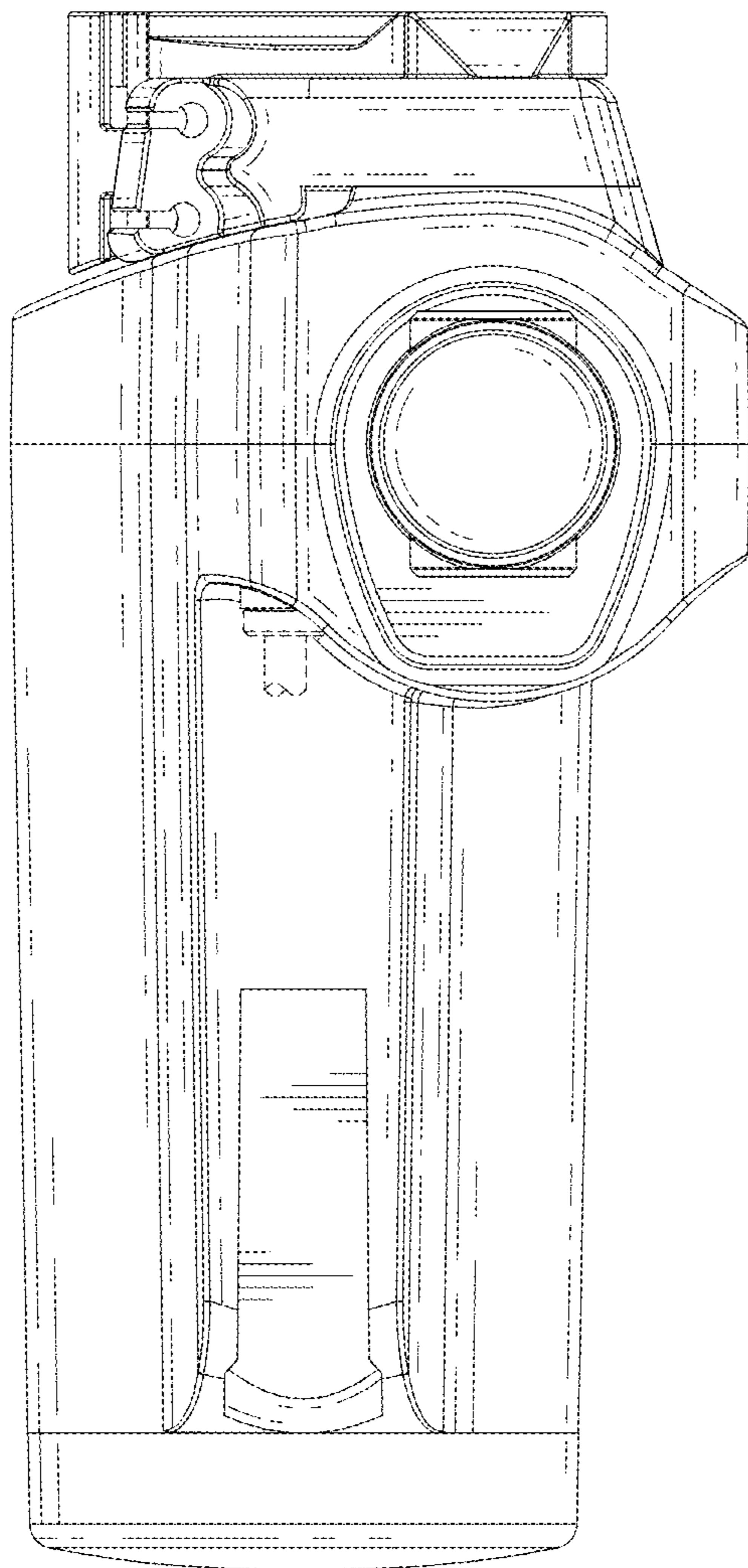


FIG.2

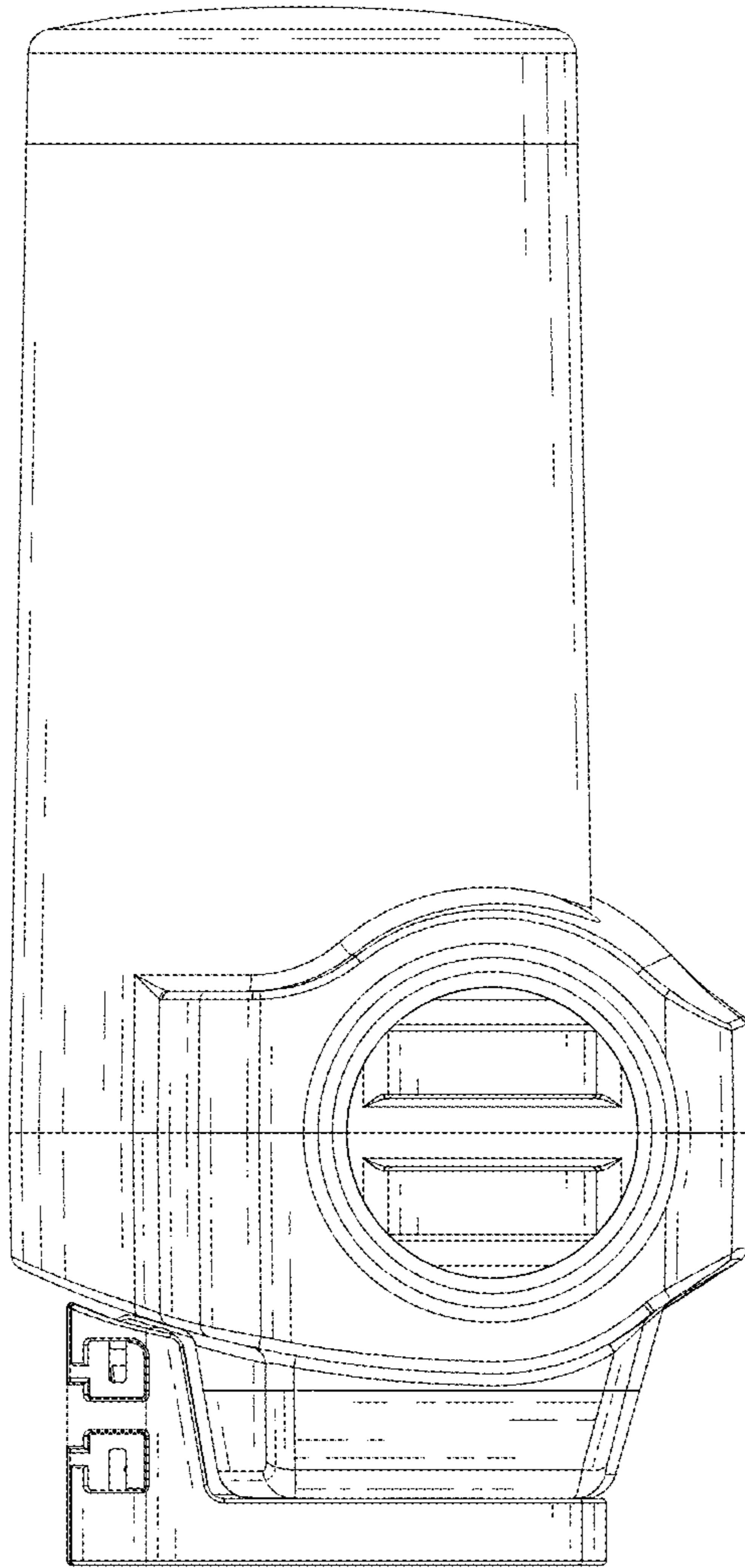


FIG. 3

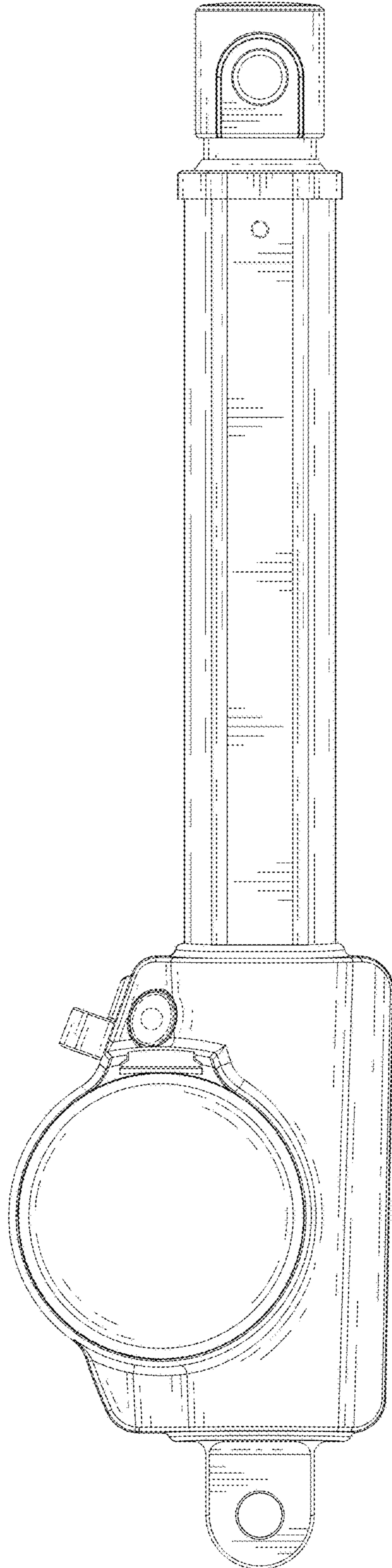


FIG.4

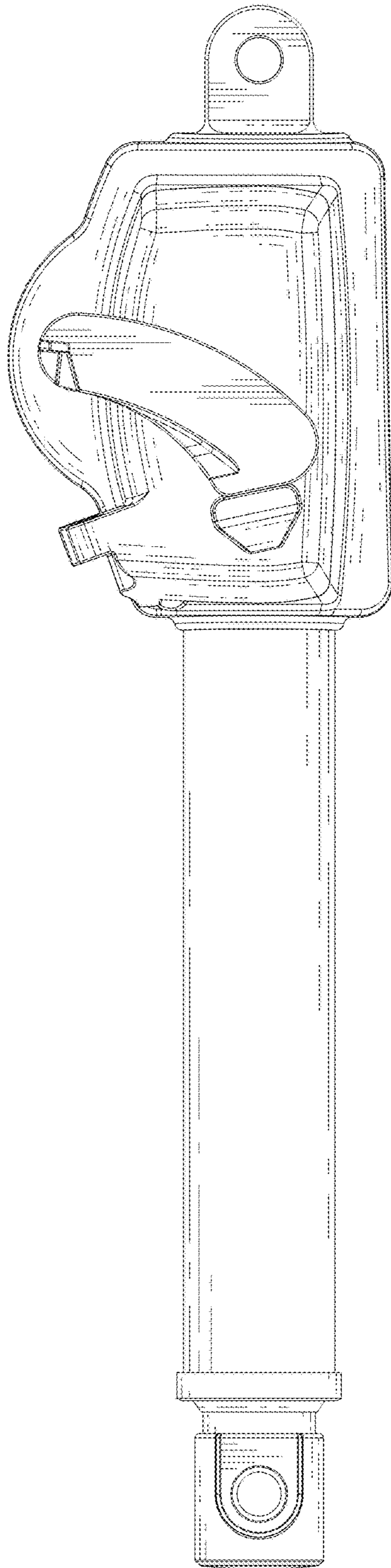


FIG.5

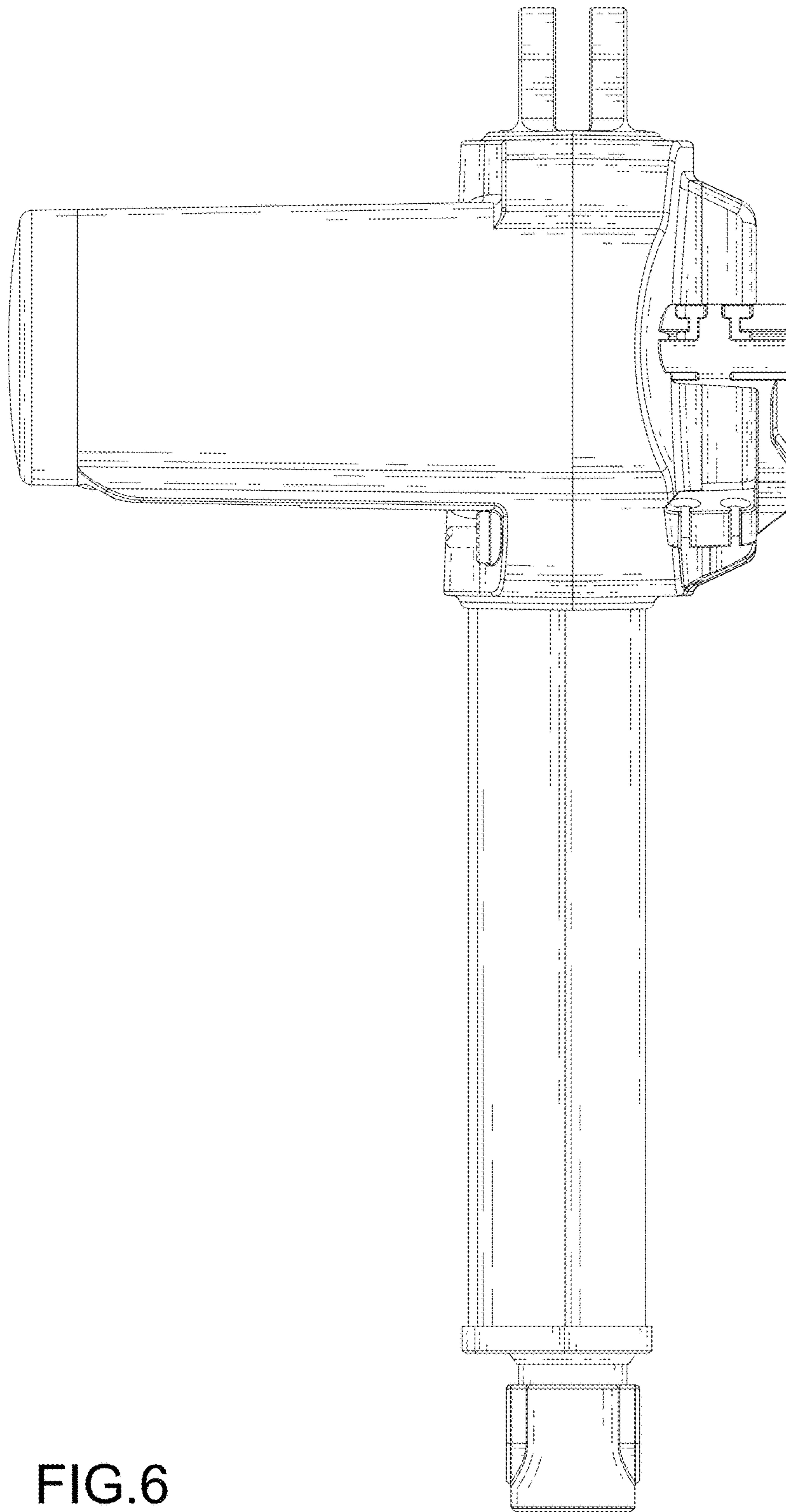


FIG. 6

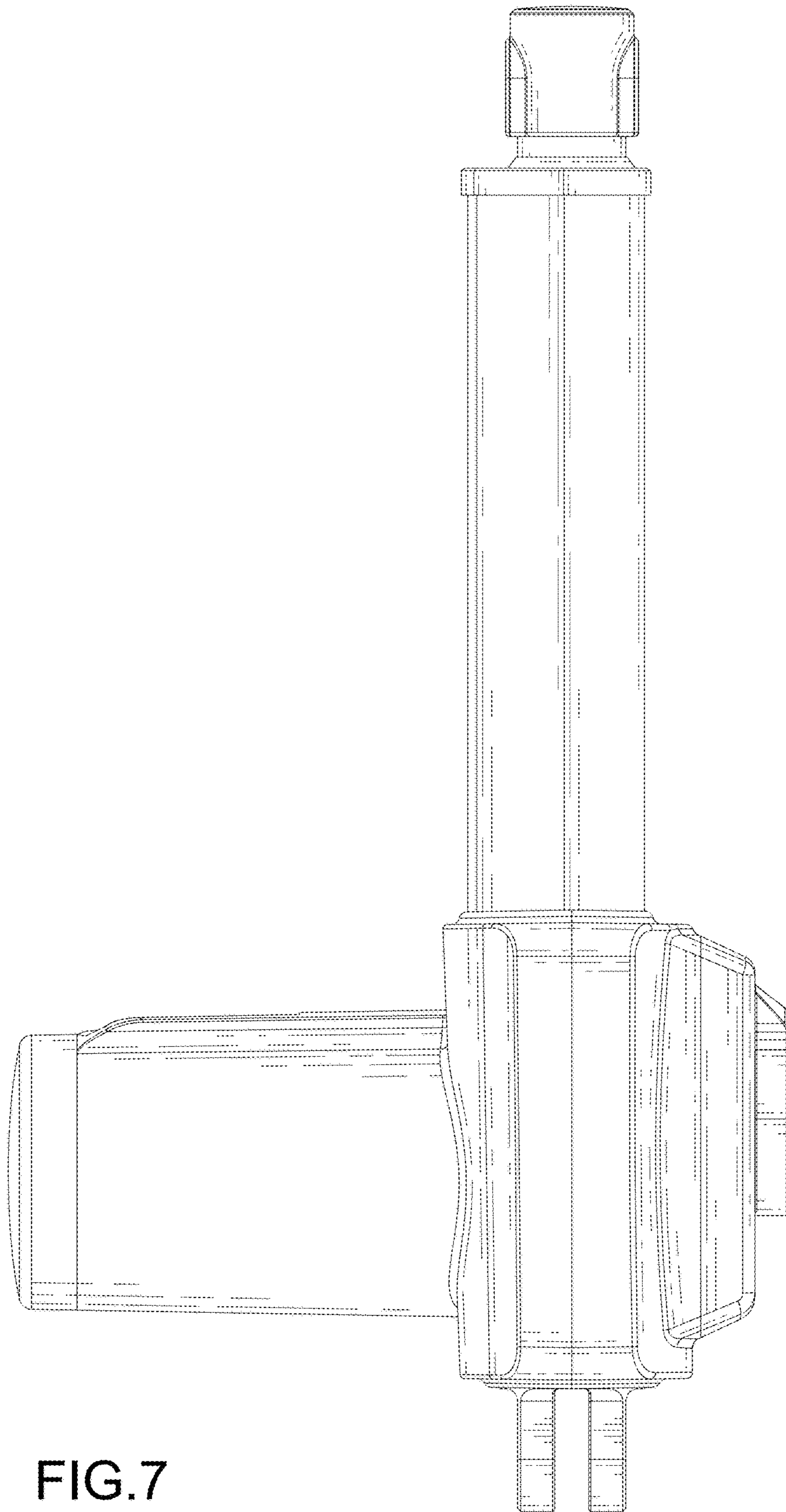


FIG. 7

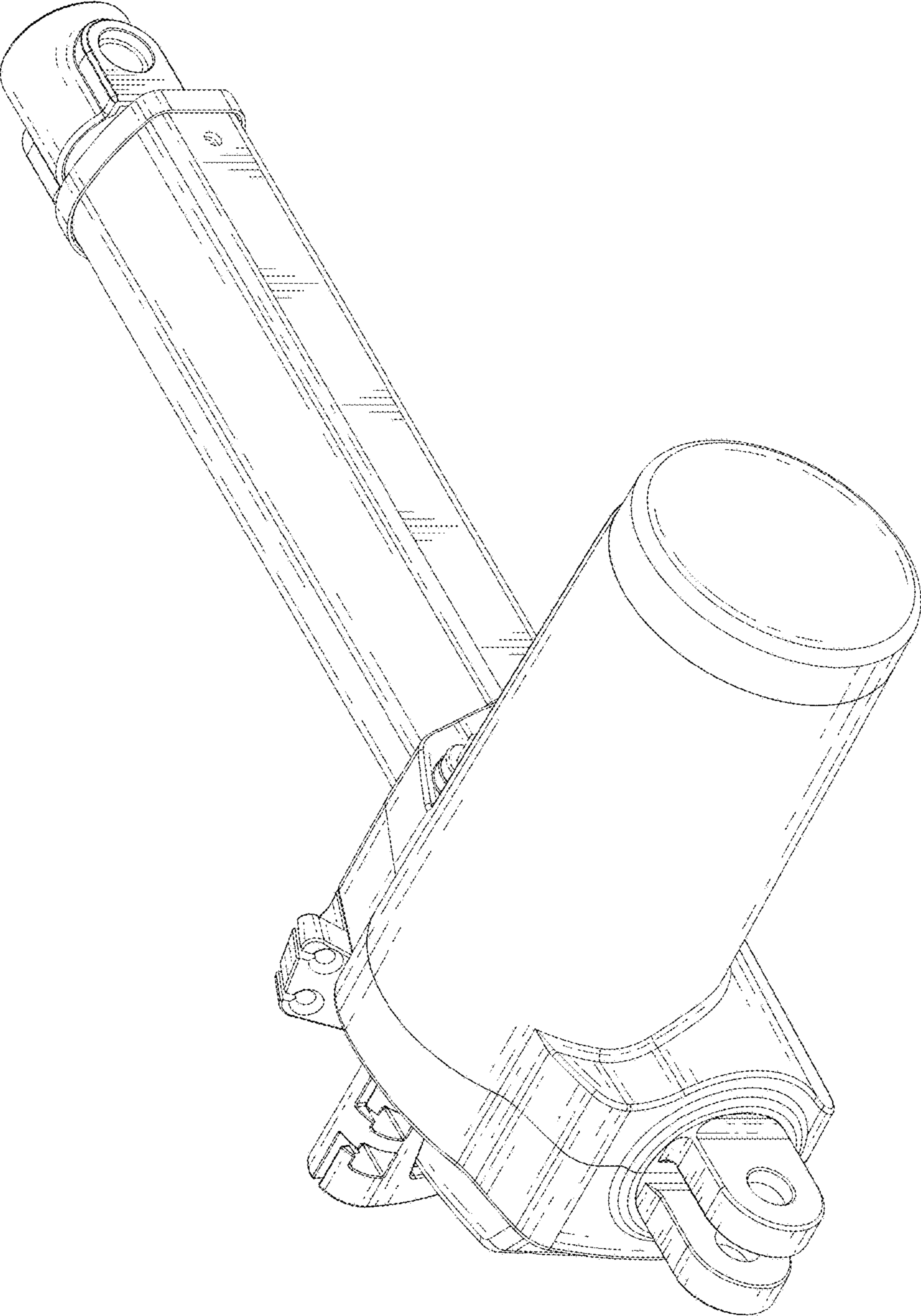


FIG. 8

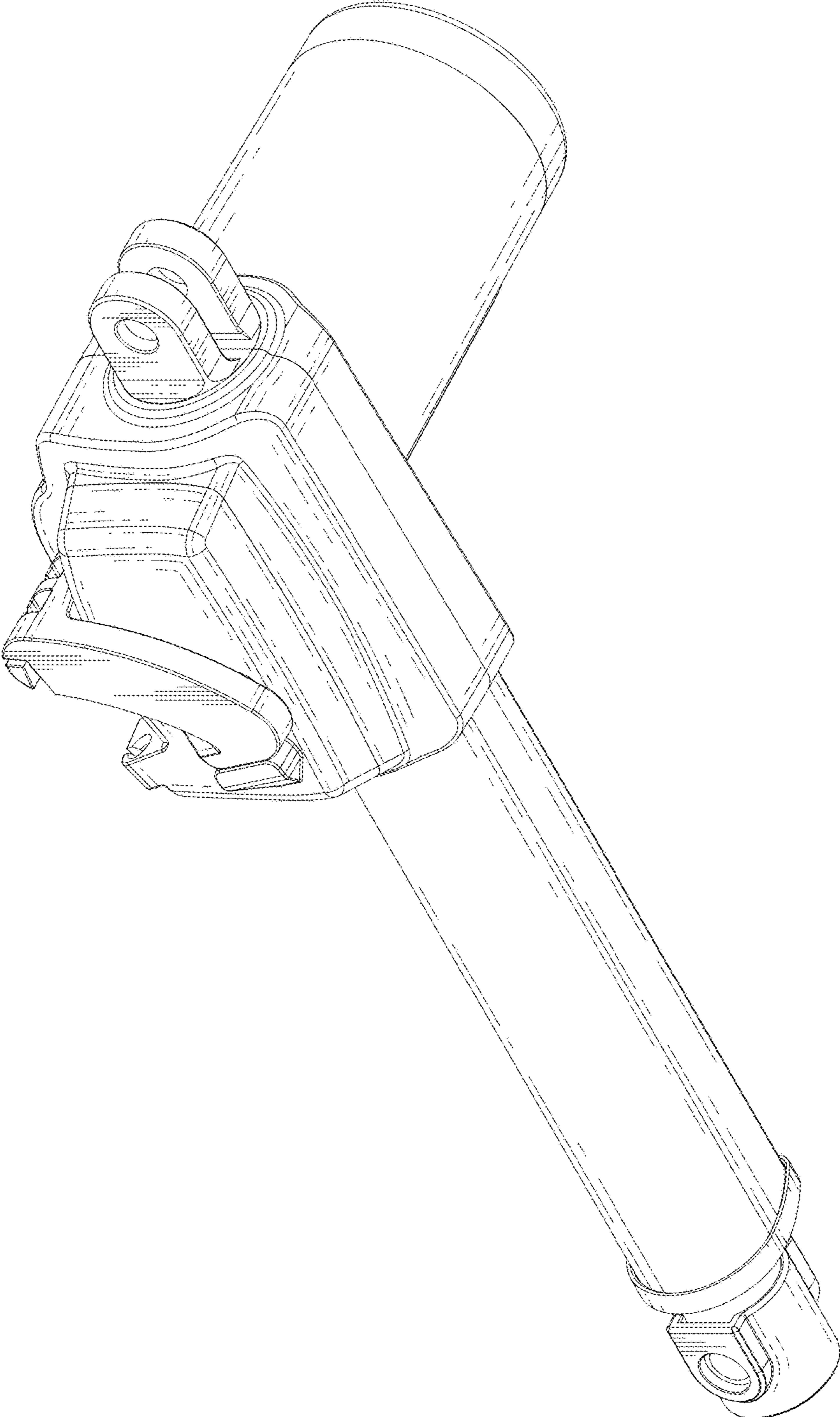


FIG.9