



US00D861049S

(12) **United States Design Patent**
Henderson et al.

(10) **Patent No.:** **US D861,049 S**

(45) **Date of Patent:** **** Sep. 24, 2019**

(54) **WORKPIECE SUPPORT**

(71) Applicant: **Lee Valley Tools Ltd.**, Ottawa (CA)

(72) Inventors: **Jeffery J. Henderson**, Carleton Place (CA); **Robin C. Lee**, Ottawa (CA); **James Alexander McFarlane**, Toronto (CA)

(73) Assignee: **Lee Valley Tools Ltd.**, Ottawa, Ontario (CA)

(**) Term: **15 Years**

(21) Appl. No.: **29/623,332**

(22) Filed: **Oct. 24, 2017**

(51) **LOC (12) Cl.** **15-09**

(52) **U.S. Cl.**
USPC **D15/138**

(58) **Field of Classification Search**
USPC D8/70; D15/126, 131, 138, 139
CPC B24B 23/03; B24B 55/102; B65G 27/08;
F16C 3/18; F16H 29/22; Y10T 74/18344;
Y10T 74/18552
See application file for complete search history.

(56) **References Cited**

U.S. PATENT DOCUMENTS

- 2,890,566 A * 6/1959 Miller B65H 75/14
242/609
- 3,038,675 A * 6/1962 Jost D01H 7/16
242/571.5
- 3,360,270 A * 12/1967 Nester G11B 17/16
369/207
- 3,482,794 A * 12/1969 Beardsley G03B 21/321
242/597.3
- 4,189,976 A * 2/1980 Becker F16L 323/0092
411/396

- 4,229,919 A 10/1980 Hughes
- 4,282,599 A * 8/1981 Lopez G11B 17/16
369/207
- 4,495,613 A * 1/1985 Gagnon G11B 17/0281
369/207

(Continued)

FOREIGN PATENT DOCUMENTS

- EM 0052447790001 4/2018
- EM 0052447790002 4/2018
- WO 2011/107740 9/2011

OTHER PUBLICATIONS

www.pixy.org Custom Aluminum 45 RPM Record Adapter 2015-2020 (Year: 2015).*

(Continued)

Primary Examiner — Patricia A Palasik
(74) *Attorney, Agent, or Firm* — Stratford Managers Corporation

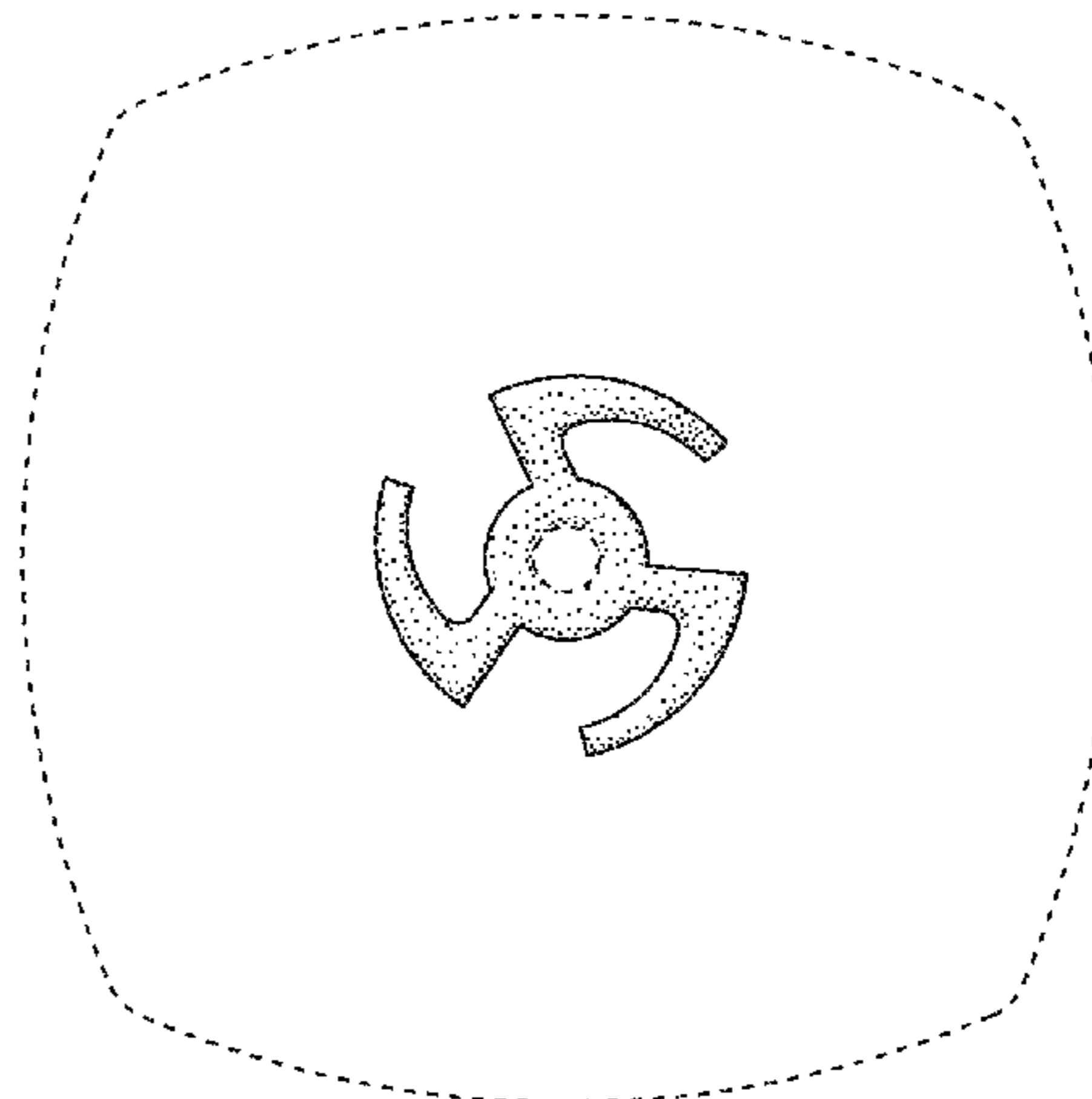
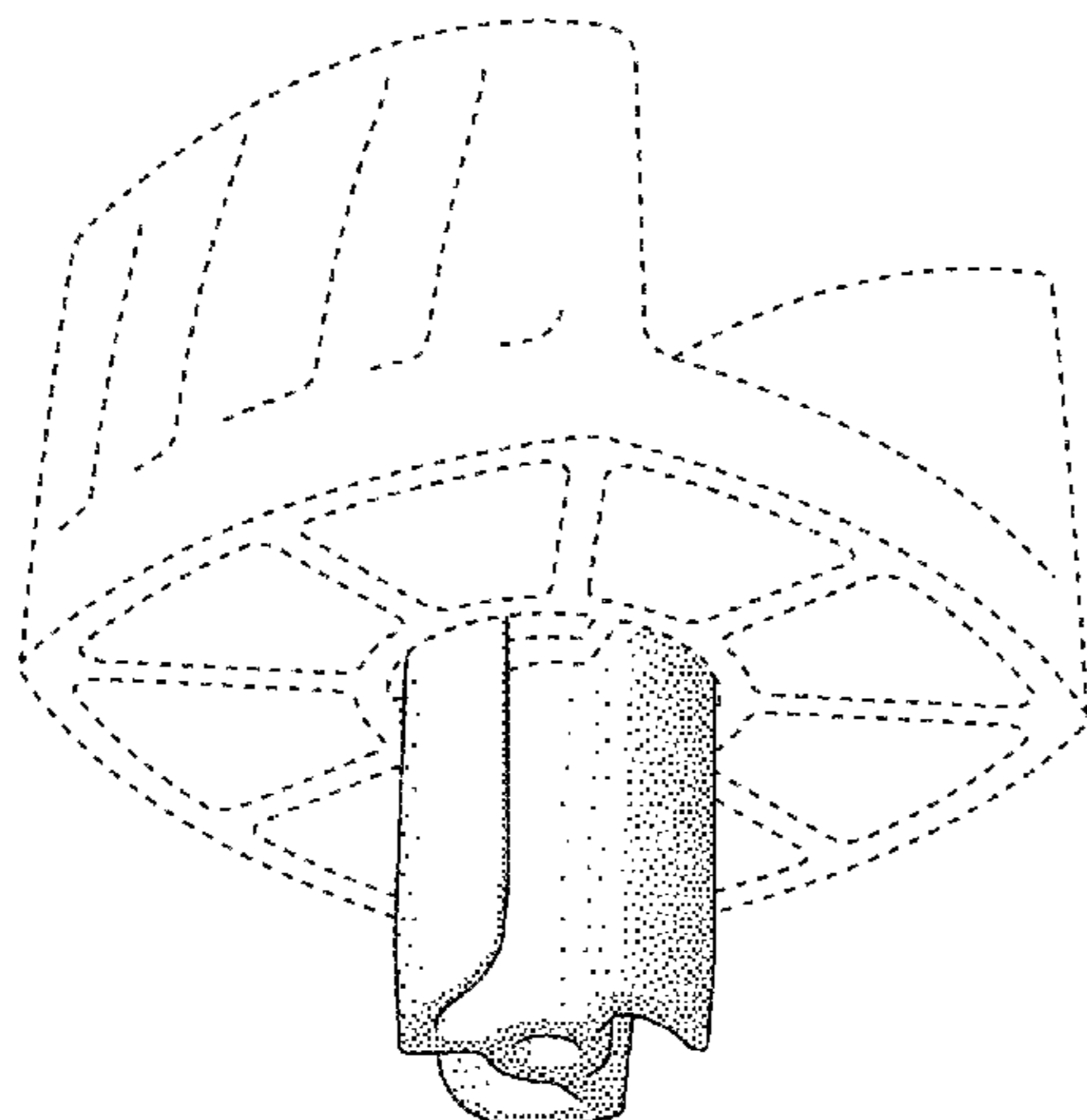
(57) **CLAIM**

The ornamental design for a workpiece support, as shown and described.

DESCRIPTION

FIG. 1 is a perspective view of the workpiece support; FIG. 2 is a right side view of the workpiece support of FIG. 1; FIG. 3 is a left side view of the workpiece support of FIG. 1; FIG. 4 is a front view of the workpiece support of FIG. 1; FIG. 5 is a back view of the workpiece support of FIG. 1; FIG. 6 is a top view of the workpiece support of FIG. 1; and, FIG. 7 is a bottom view of the workpiece support of FIG. 1. The portions of the drawings in broken lines illustrate portions of the workpiece support that form no part of the claimed design.

1 Claim, 4 Drawing Sheets



(56)

References Cited

U.S. PATENT DOCUMENTS

4,559,623 A * 12/1985 Dennis G11B 17/12
369/207
5,295,700 A * 3/1994 Crews B23Q 1/545
279/137
D350,887 S * 9/1994 Sjolander D8/70
5,398,946 A * 3/1995 Quiring B23B 31/1071
279/145
D361,776 S * 8/1995 Asano D15/138
5,823,862 A * 10/1998 Heidelberger B24B 23/03
451/344
6,854,742 B2 * 2/2005 Salyer A61B 17/1666
279/145
D513,264 S * 12/2005 Hayashi D14/483
D595,862 S * 7/2009 Suzuki D24/227
D595,863 S * 7/2009 Suzuki D24/227
7,717,771 B1 * 5/2010 Lyerly B23B 31/20
279/46.3

2005/0214106 A1* 9/2005 Ionescu G11L 317/10
414/744.1
2007/0246300 A1 10/2007 Adkins
2009/0273130 A1 11/2009 Armstrong et al.
2011/0136420 A1* 6/2011 Chen B23Q 11/0046
451/488
2012/0152043 A1* 6/2012 Wen F16H 29/22
74/61

OTHER PUBLICATIONS

U.S. Appl. No. 15/792,369, Unpublished (filed Oct. 24, 2017).
U.S. Appl. No. 29/623,337, Unpublished (filed Oct. 24, 2017).
<http://www.rockler.com/sawhorse-clips-or-bench-cookie-plus-pack-o--clips>.
<https://www.timberteeth.co.uk/>.
Extended European Search Report, European Patent Application No. 18201651.9, dated Mar. 29, 2019, 9 pages.

* cited by examiner

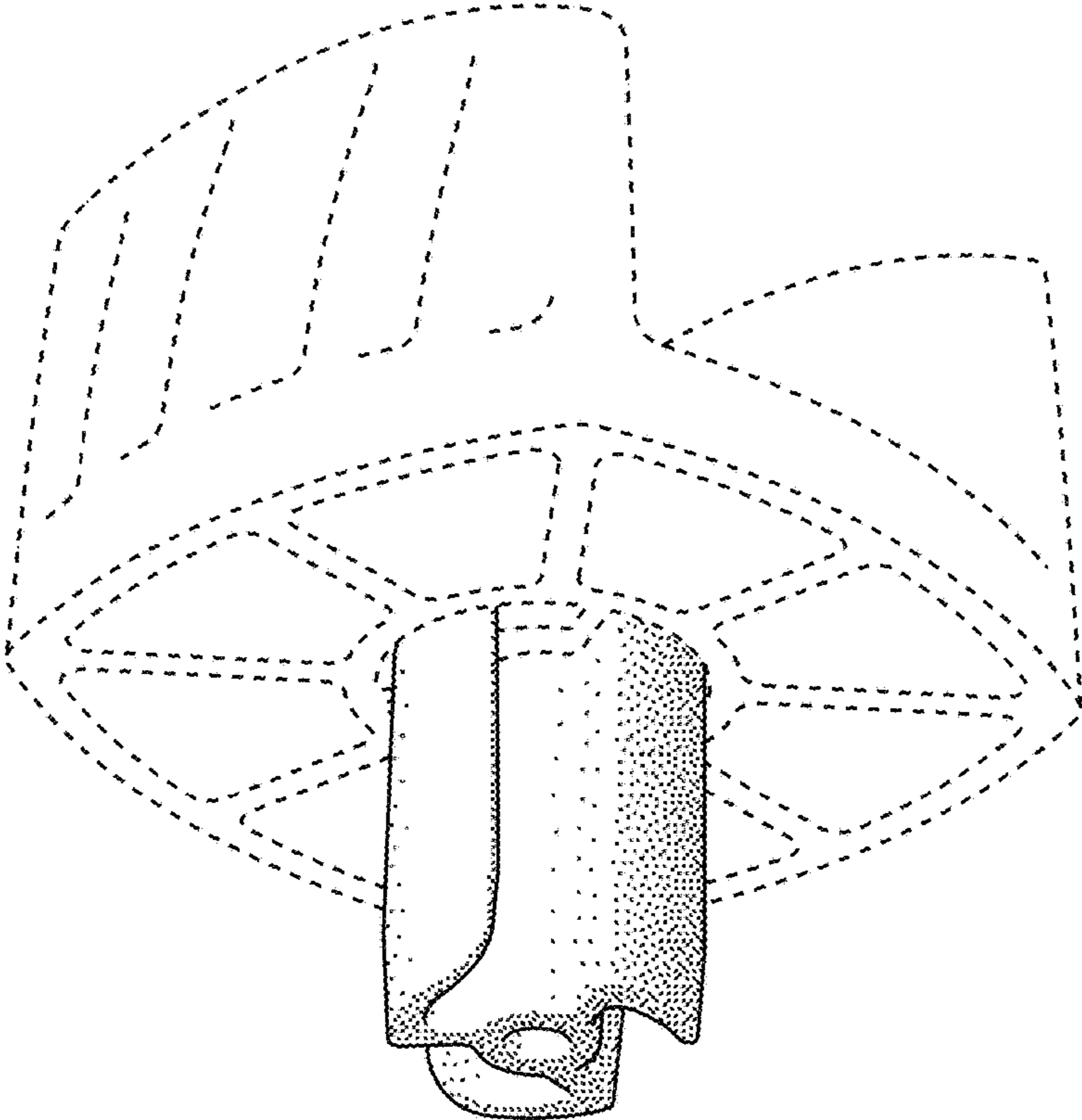


FIG. 1

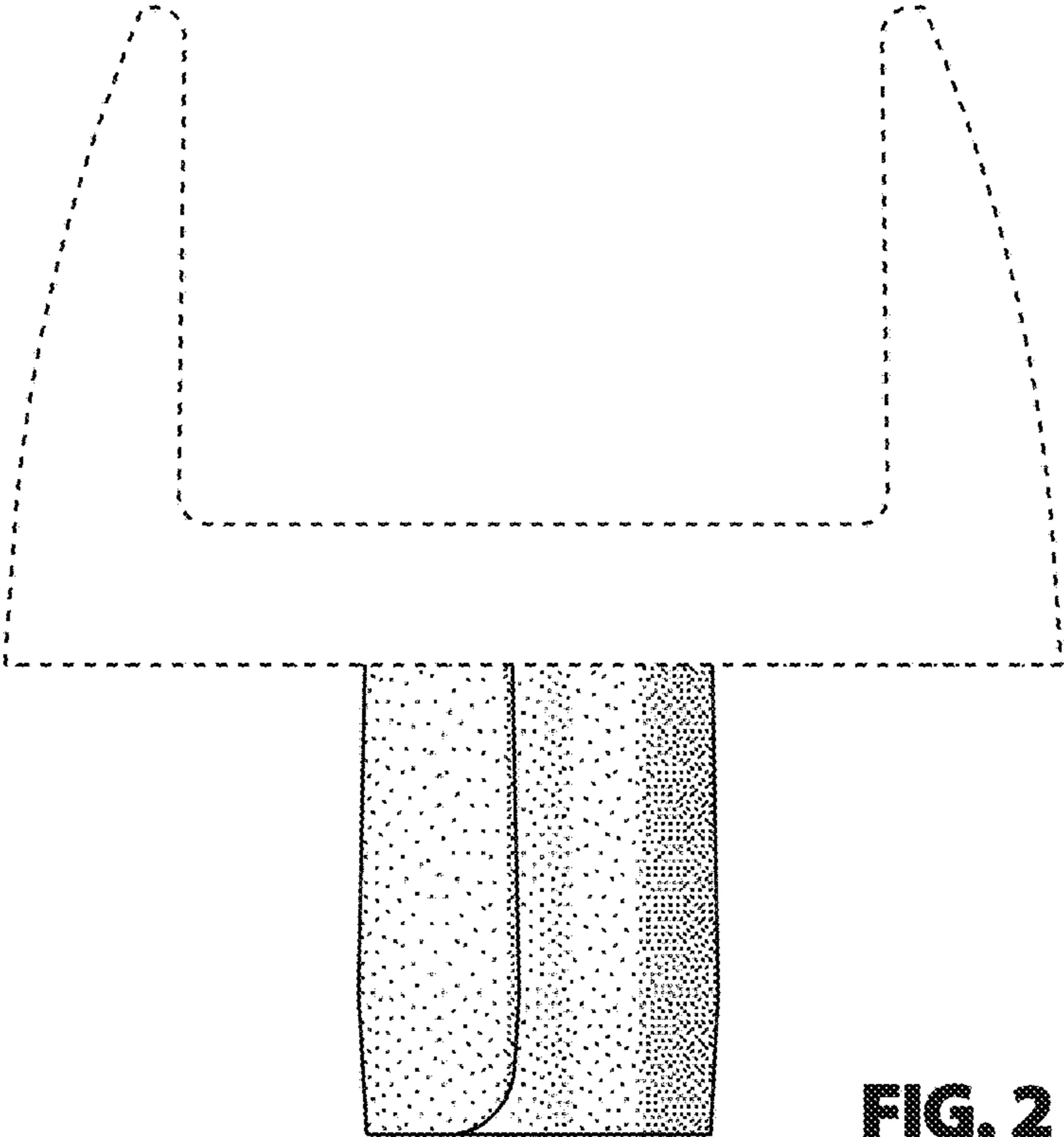


FIG. 2

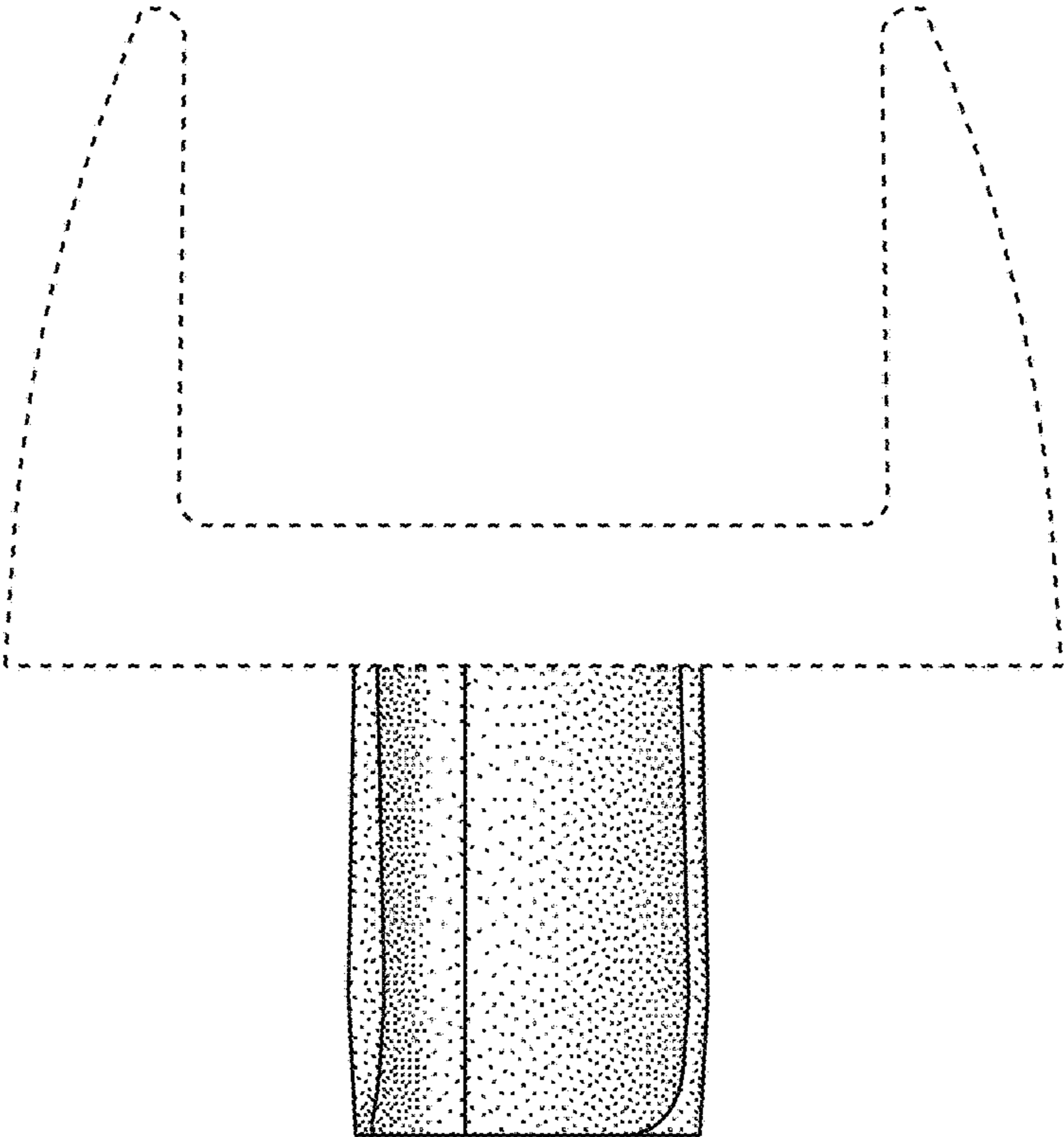


FIG. 3

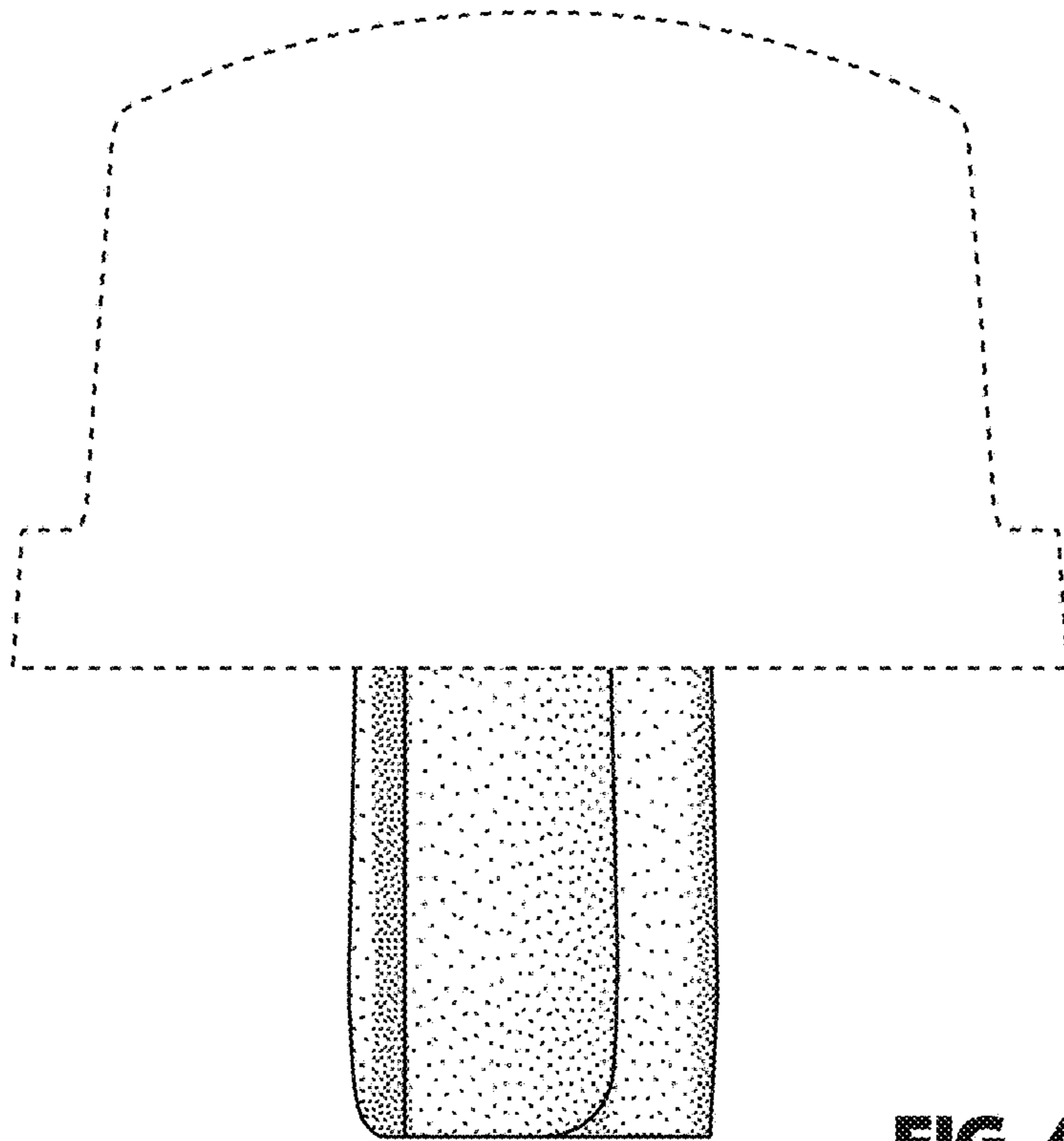


FIG. 4

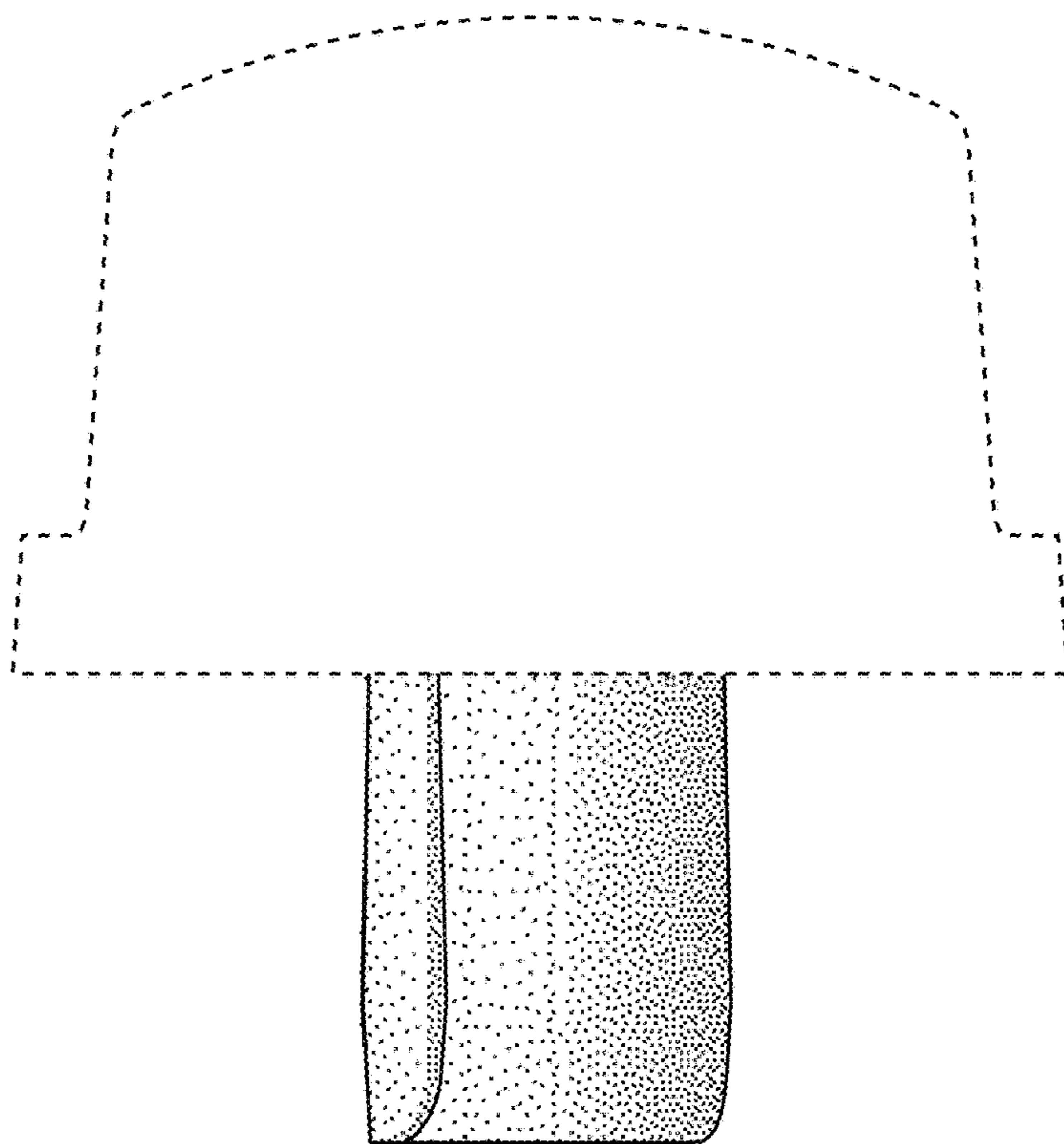


FIG. 5

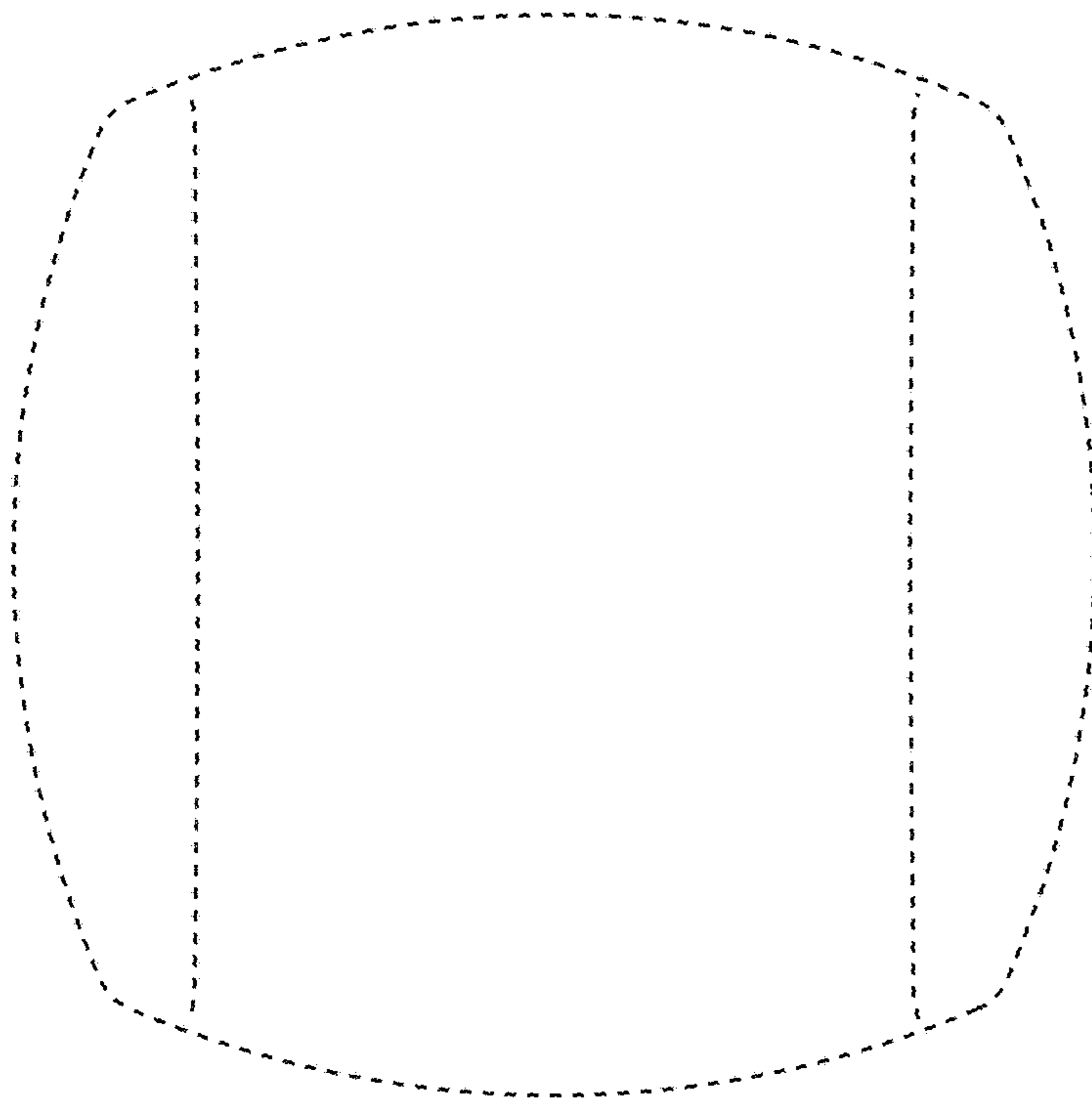


FIG. 6

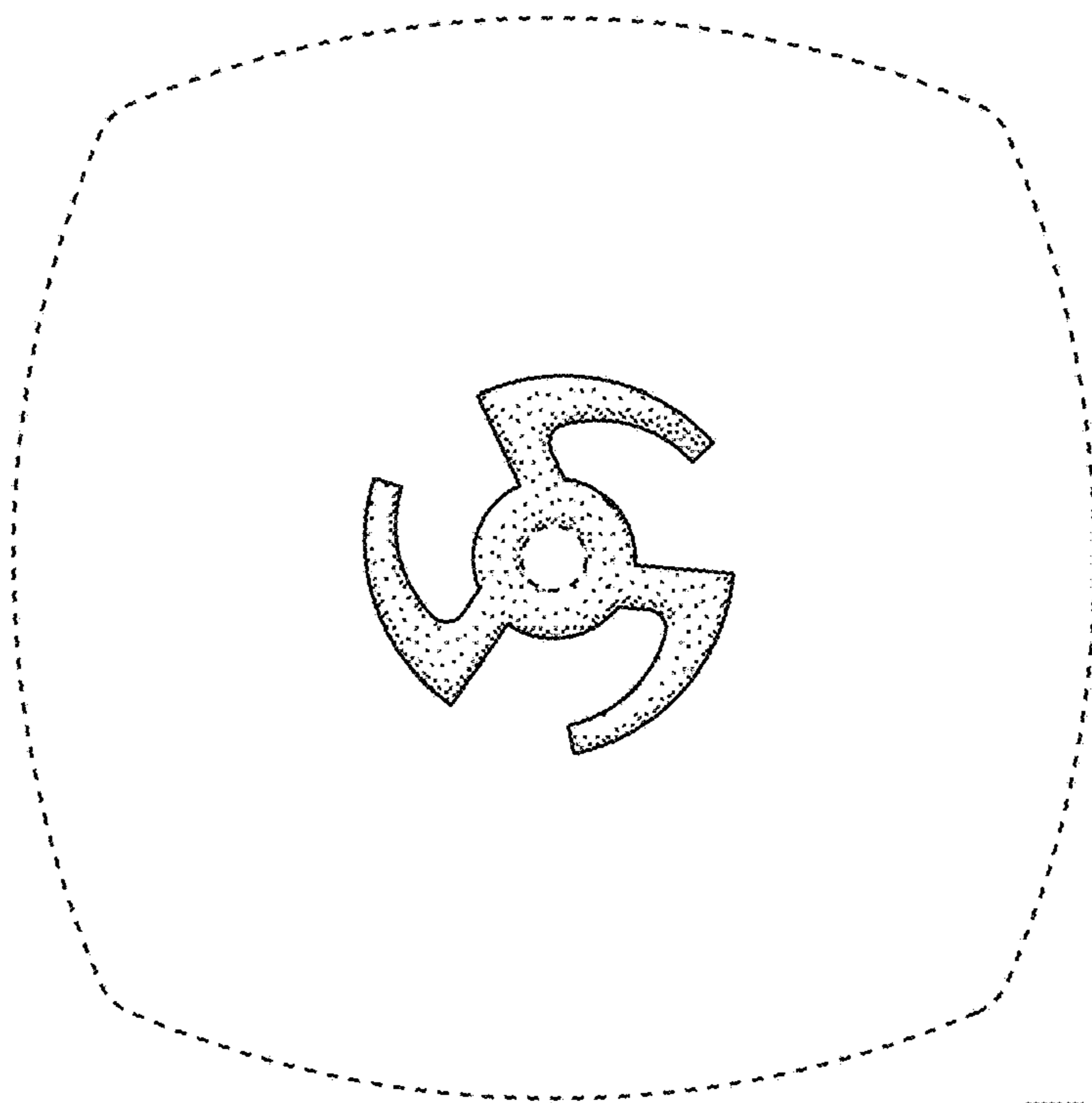


FIG. 7