

US00D861047S

(12) **United States Design Patent** (10) **Patent No.:** **US D861,047 S**
Sjoberck et al. (45) **Date of Patent:** **** Sep. 24, 2019**

(54) **JAW OF A JAW CRUSHER**

(71) Applicant: **SANDVIK INTELLECTUAL PROPERTY AB**, Sandviken (SE)

(72) Inventors: **Roger Sjoberck**, Malmo (SE); **Marten Lindberg**, Malmo (SE)

(73) Assignee: **SANDVIK INTELLECTUAL PROPERTY AB**, Sandviken (SE)

(**) Term: **15 Years**

(21) Appl. No.: **29/608,266**

(22) Filed: **Jun. 20, 2017**

(51) **LOC (12) Cl.** **15-03**

(52) **U.S. Cl.**
USPC **D15/123**

(58) **Field of Classification Search**
USPC D15/122, 123, 138
CPC ... B02C 19/18; B02C 2019/183; B02C 21/02;
B02C 23/08; B02C 23/14; B02C 25/00;
B02C 2/005; B02C 2/10
See application file for complete search history.

(56) **References Cited**

U.S. PATENT DOCUMENTS

D180,234 S * 5/1957 Jahnke et al. D15/123
5,848,569 A * 12/1998 Maki B30B 9/321
100/258 A

D693,387 S * 11/2013 Meier D15/123
D707,274 S * 6/2014 Meier D15/123
D719,988 S * 12/2014 Runquist D15/123
D807,933 S * 1/2018 Zermatten D15/128
2009/0114751 A1 * 5/2009 Doppstadt B02C 13/28
241/197

* cited by examiner

Primary Examiner — Khawaja Anwar

(74) *Attorney, Agent, or Firm* — Corinne R. Gorski

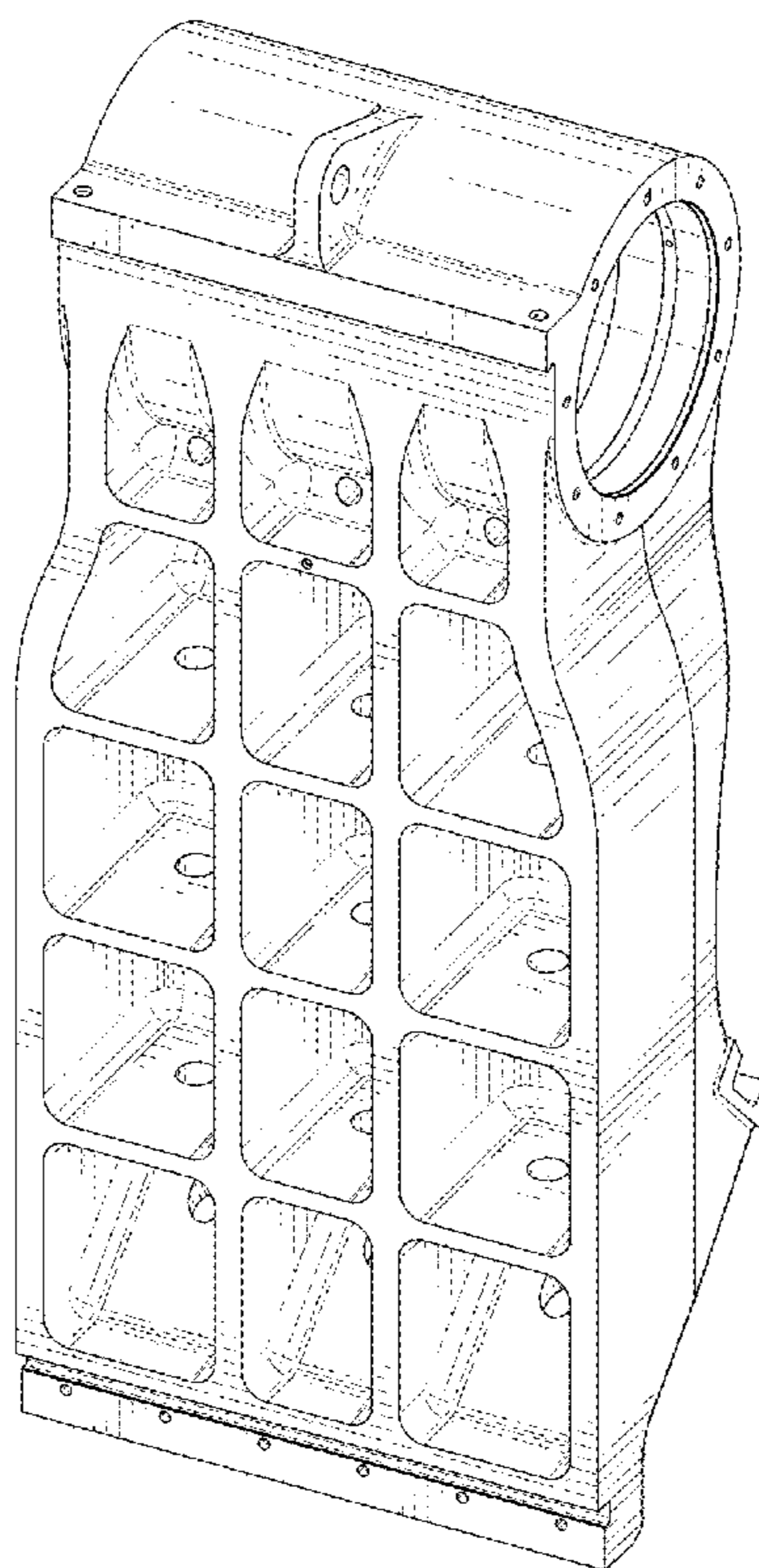
(57) **CLAIM**

The ornamental design for a jaw of a jaw crusher, as shown and described.

DESCRIPTION

FIG. 1 is a perspective view from above of the front of a jaw of a jaw crusher according to the present design.
FIG. 2 is a perspective view from below of the back of the jaw of the jaw crusher of FIG. 1.
FIG. 3 is a front view of the jaw of the jaw crusher of FIG. 1.
FIG. 4 is a rear view of jaw of the jaw crusher of FIG. 1.
FIG. 5 is one side view of the jaw of the jaw crusher of FIG. 1, with the other side being a mirror image thereof.
FIG. 6 is a top view of the jaw of the jaw crusher of FIG. 1; and,
FIG. 7 is a bottom view of the jaw of the jaw crusher of FIG. 1.

1 Claim, 6 Drawing Sheets



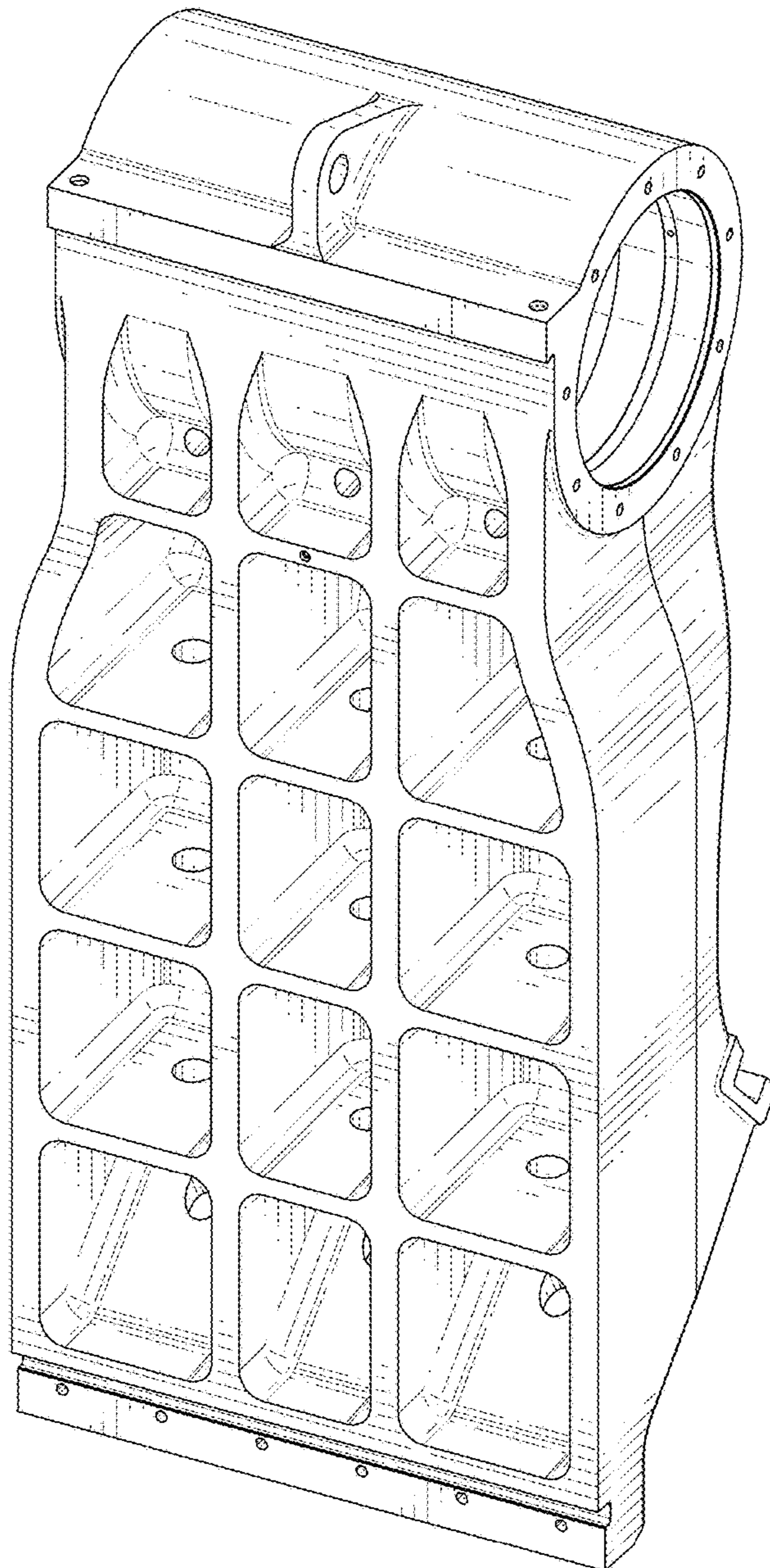


FIG. 1

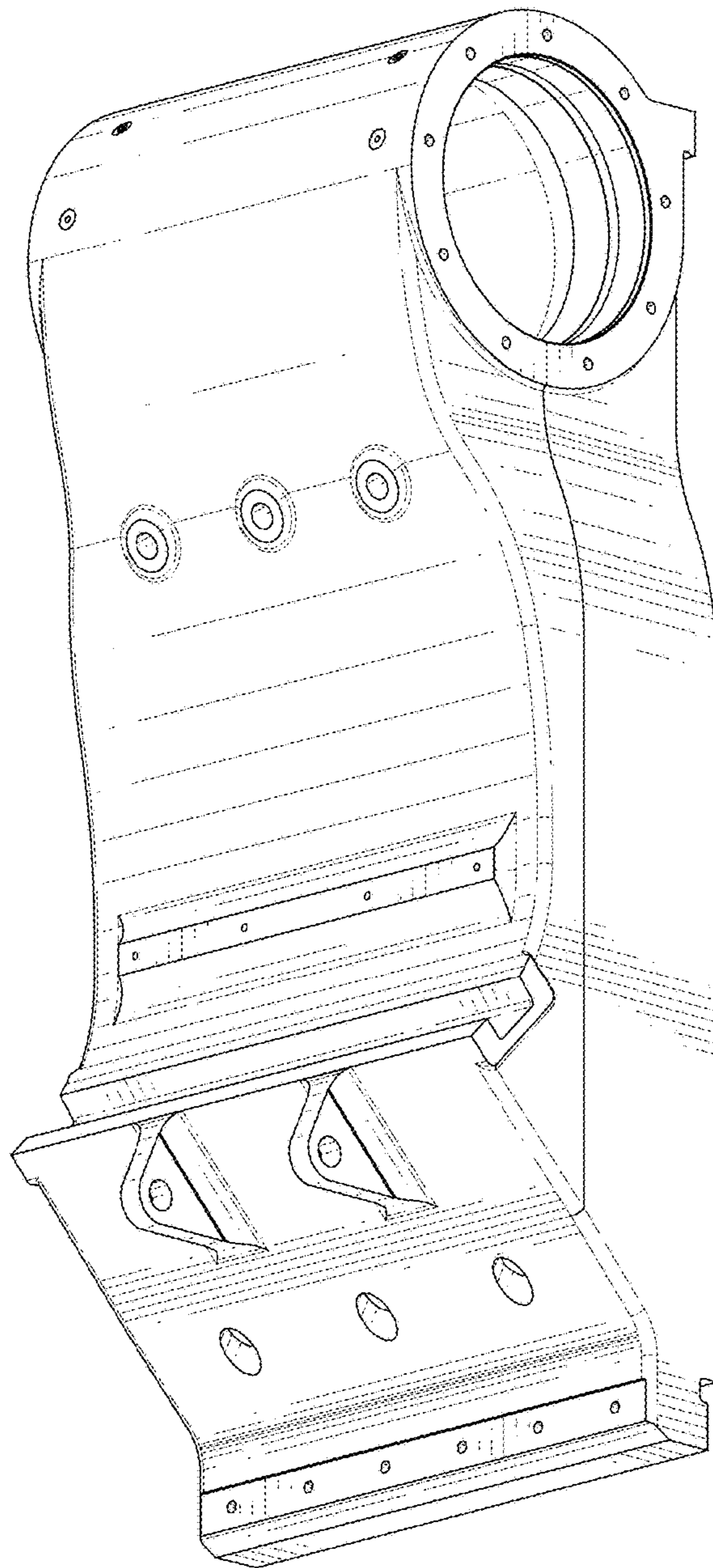


FIG. 2

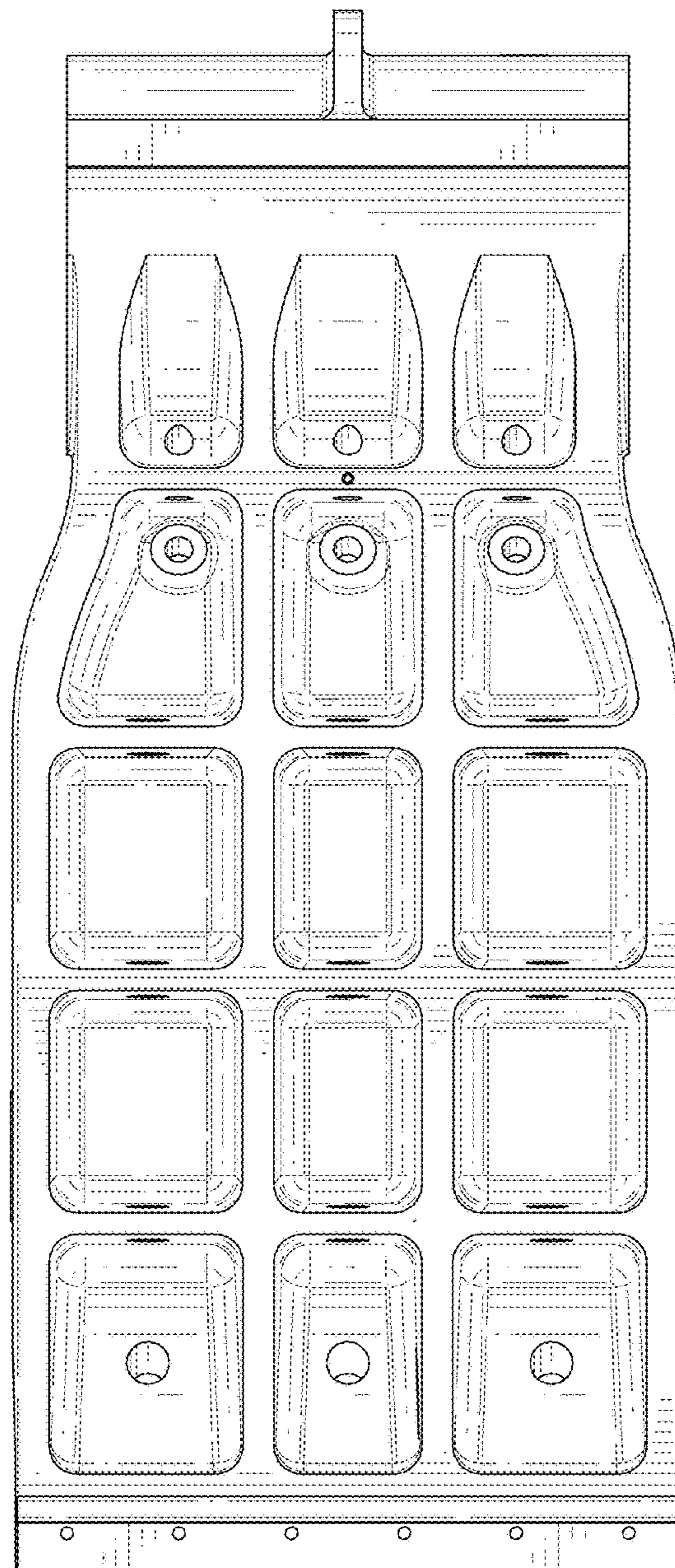


FIG. 3

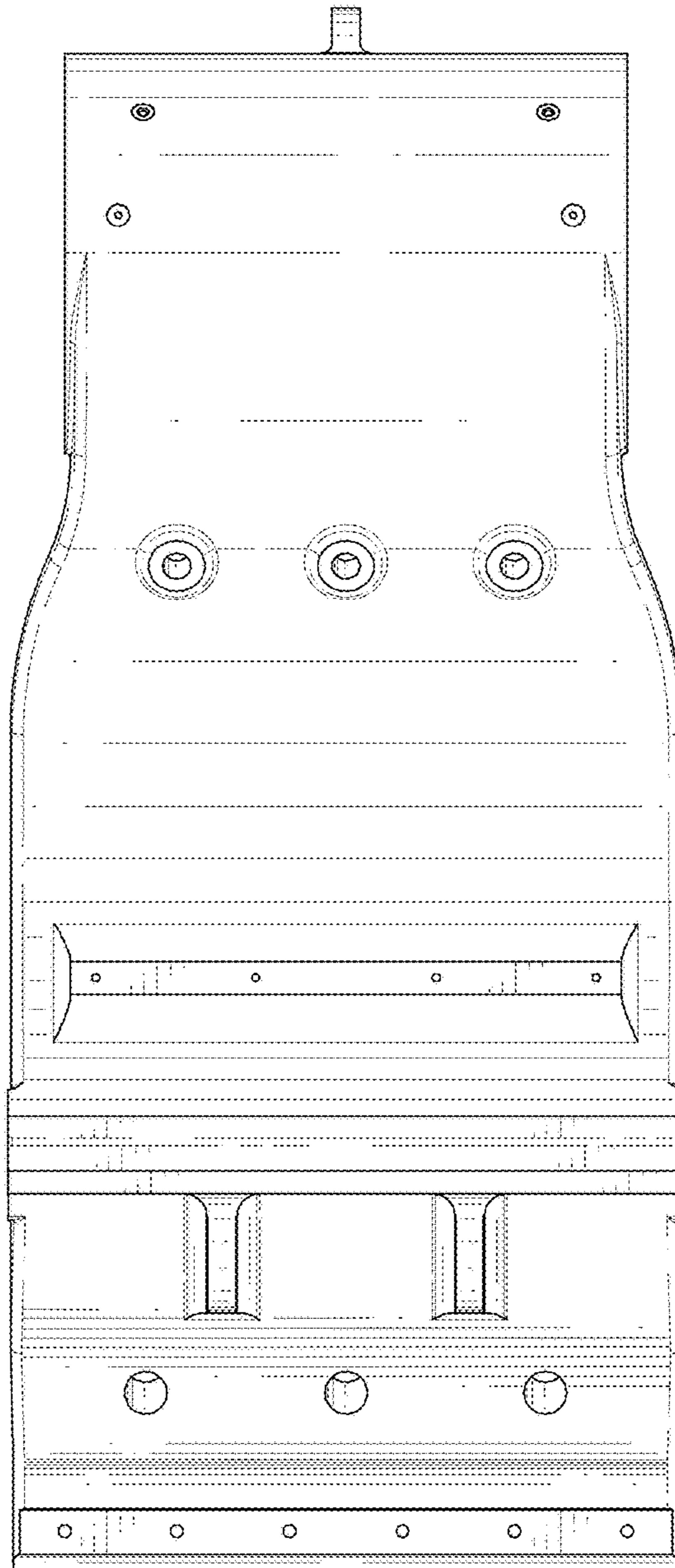


FIG. 4

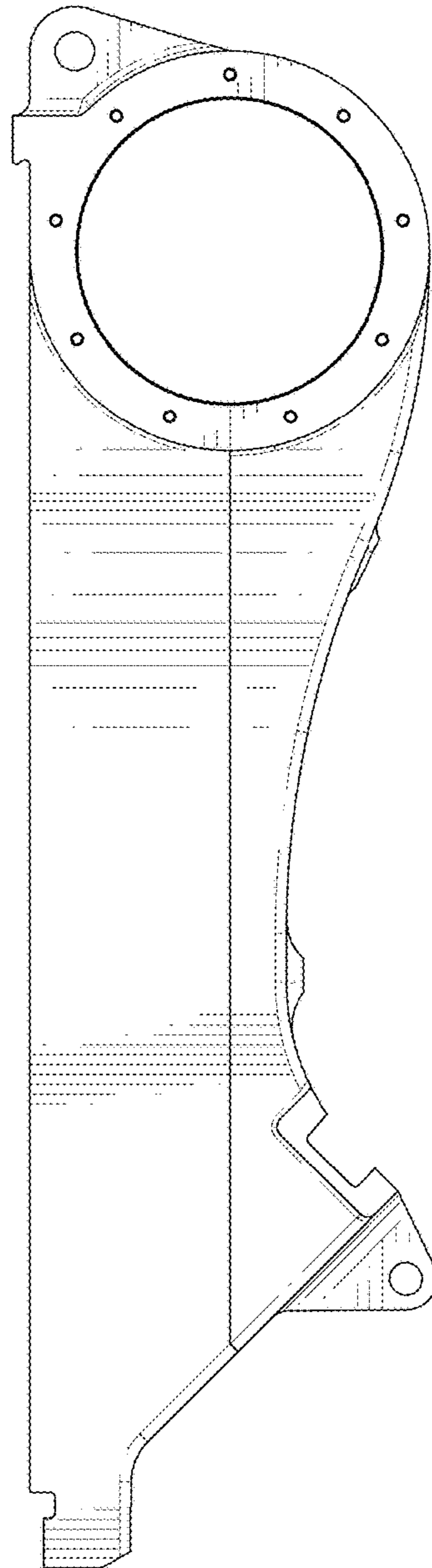


FIG. 5

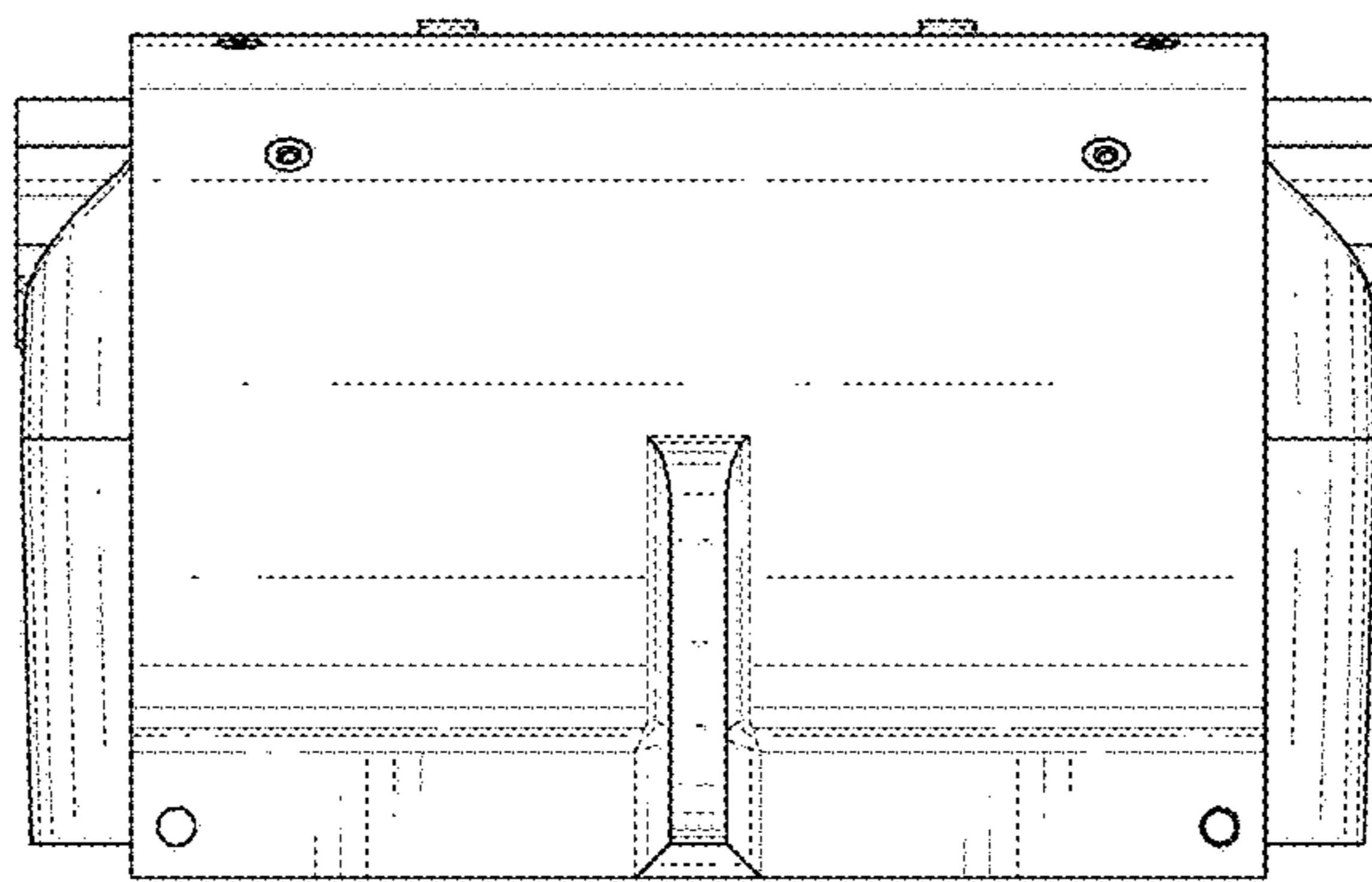


FIG. 6

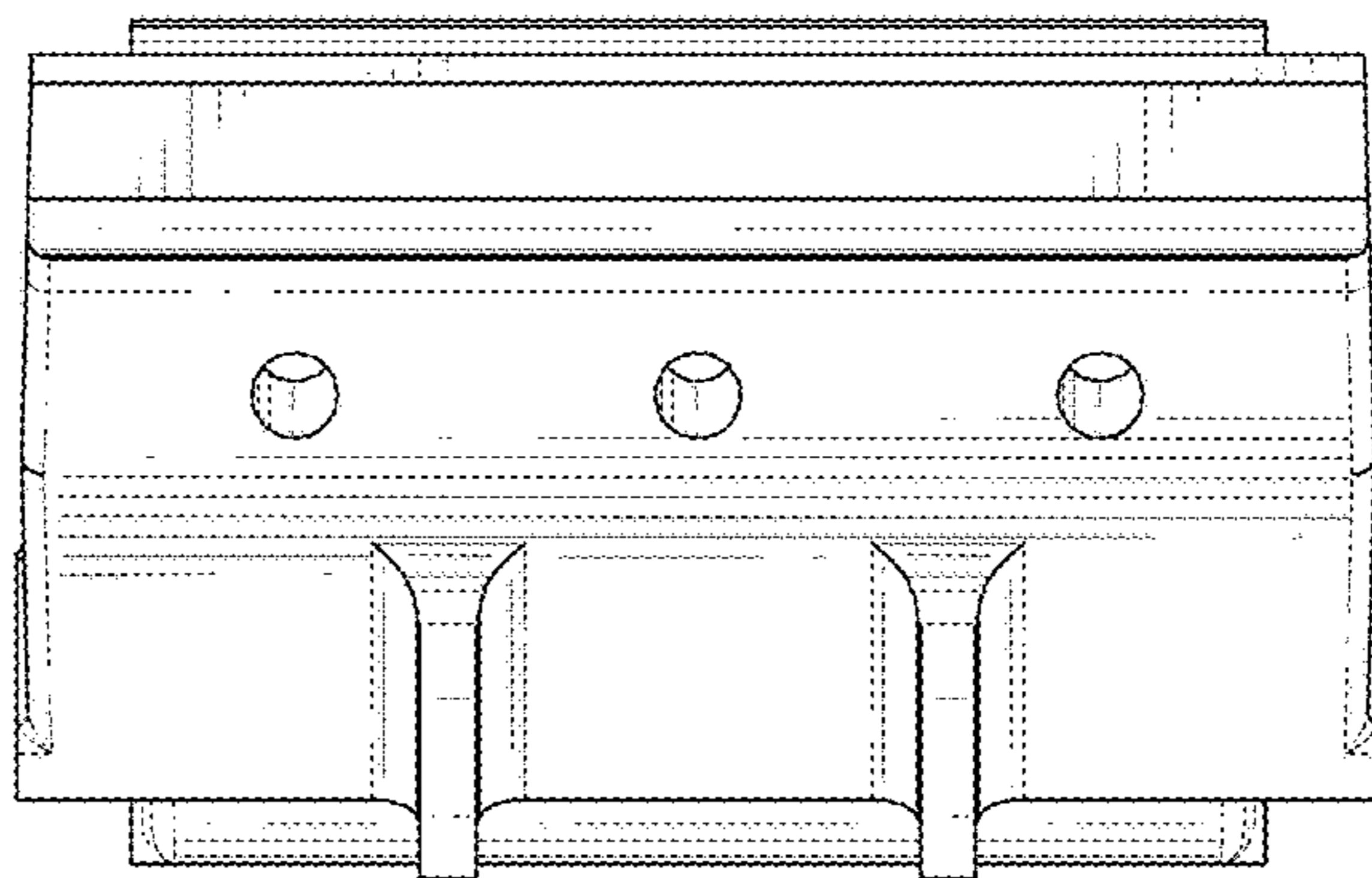


FIG. 7